



US00D912777S

(12) **United States Design Patent**
Liang

(10) **Patent No.:** **US D912,777 S**
(45) **Date of Patent:** **** Mar. 9, 2021**

(54) **FAUCET**

(71) Applicant: **Shufa Liang**, Kaiping (CN)

(72) Inventor: **Shufa Liang**, Kaiping (CN)

(**) Term: **15 Years**

(21) Appl. No.: **29/706,256**

(22) Filed: **Sep. 19, 2019**

(51) **LOC (13) Cl.** **23-01**

(52) **U.S. Cl.**
USPC **D23/238**

(58) **Field of Classification Search**
USPC D23/223, 238, 239, 240, 241, 242, 243,
D23/249, 250, 255, 256, 257; D6/524
CPC E03C 1/04; E03C 1/0401; E03C 1/0402;
E03C 1/0404; E03C 1/0405; E03C
1/0412; Y10T 137/9464

See application file for complete search history.

(56) **References Cited**

U.S. PATENT DOCUMENTS

D532,868 S *	11/2006	Spangler	D23/238
D534,621 S *	1/2007	Chu	D23/238
D602,568 S *	10/2009	Kwok	D23/238
D828,907 S *	9/2018	Ceng	D23/238
D840,505 S *	2/2019	Zhang	D23/238
D847,950 S *	5/2019	Zhang	D23/238
D849,201 S *	5/2019	Zhang	D23/238
D849,203 S *	5/2019	Zhang	D23/238
D860,398 S *	9/2019	Chen	D23/238

D890,302 S *	7/2020	Chen	D23/238
2020/0157787 A1 *	5/2020	Benstead	E03C 1/0402
2020/0240126 A1 *	7/2020	Myers	E03C 1/0404

OTHER PUBLICATIONS

Delta Leland Single-Handle Pull-Down Sprayer Kitchen Faucet with Soap Dispenser in Stainless [Sep. 24, 2020] found online [Sep. 24, 2020]—<https://www.homedepot.com/p/Delta-Leland-Single-Handle-Pull-Down-Sprayer-Kitchen-Faucet-with-Soap-Dispenser-in-Stainless-19978-SSSD-DST/202496519>.*

* cited by examiner

Primary Examiner — John A Voytek
(74) *Attorney, Agent, or Firm* — Runit Ranjit Kanakia

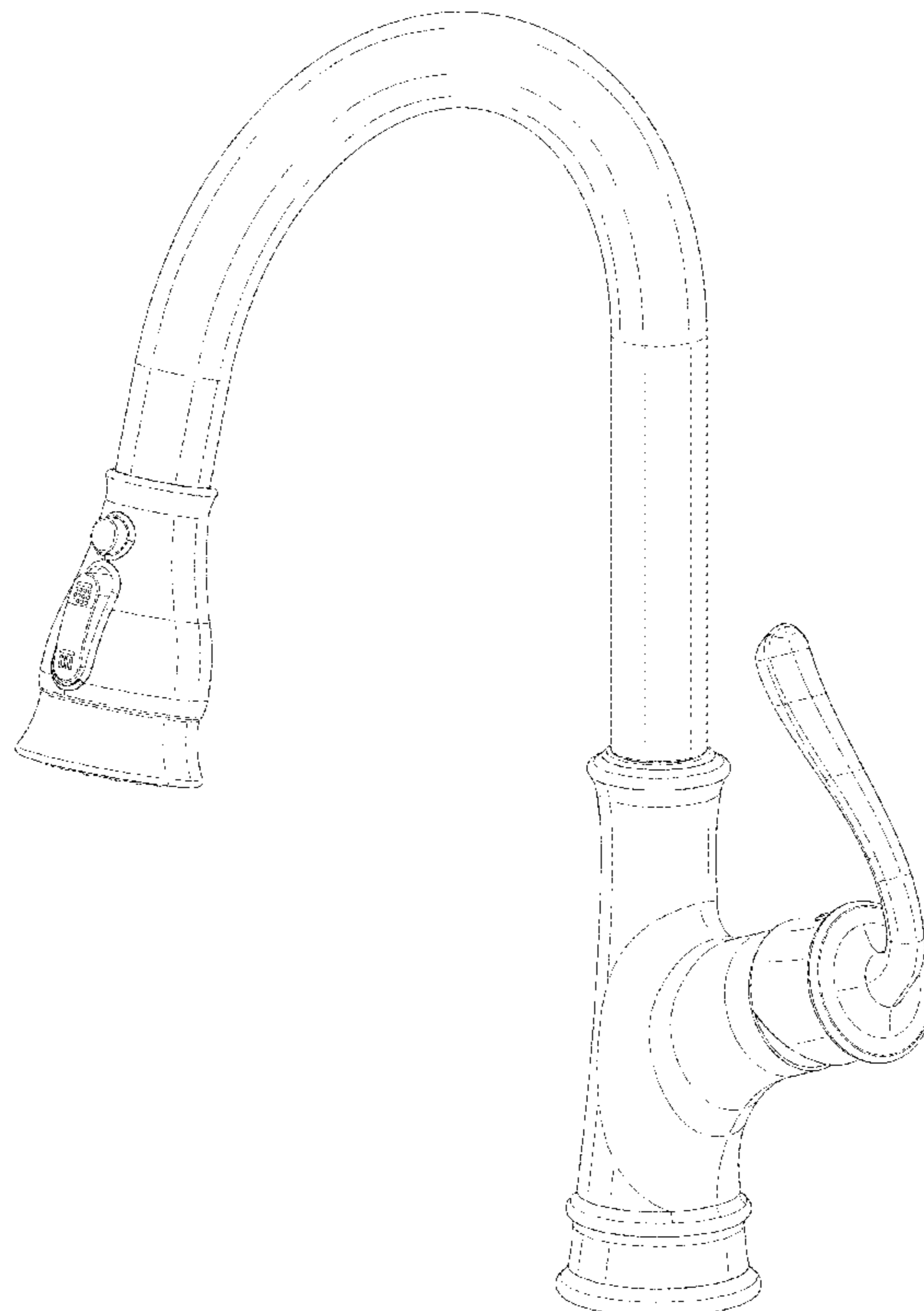
(57) **CLAIM**

I claim the ornamental design for a faucet, as shown and described.

DESCRIPTION

FIG. 1 is a Perspective view of a faucet showing my new design;
FIG. 2 is a Front view of the faucet as shown in FIG. 1;
FIG. 3 is a Back view of the faucet as shown in FIG. 1;
FIG. 4 is a Right-side view of the faucet as shown in FIG. 1;
FIG. 5 is a Left-side view of the faucet as shown in FIG. 1;
FIG. 6 is a Top view of the faucet as shown in FIG. 1; and,
FIG. 7 is a Bottom view of the faucet as shown in FIG. 1.
The broken lines shown in the drawings show portions of the faucet that form no part of the claimed design.

1 Claim, 7 Drawing Sheets



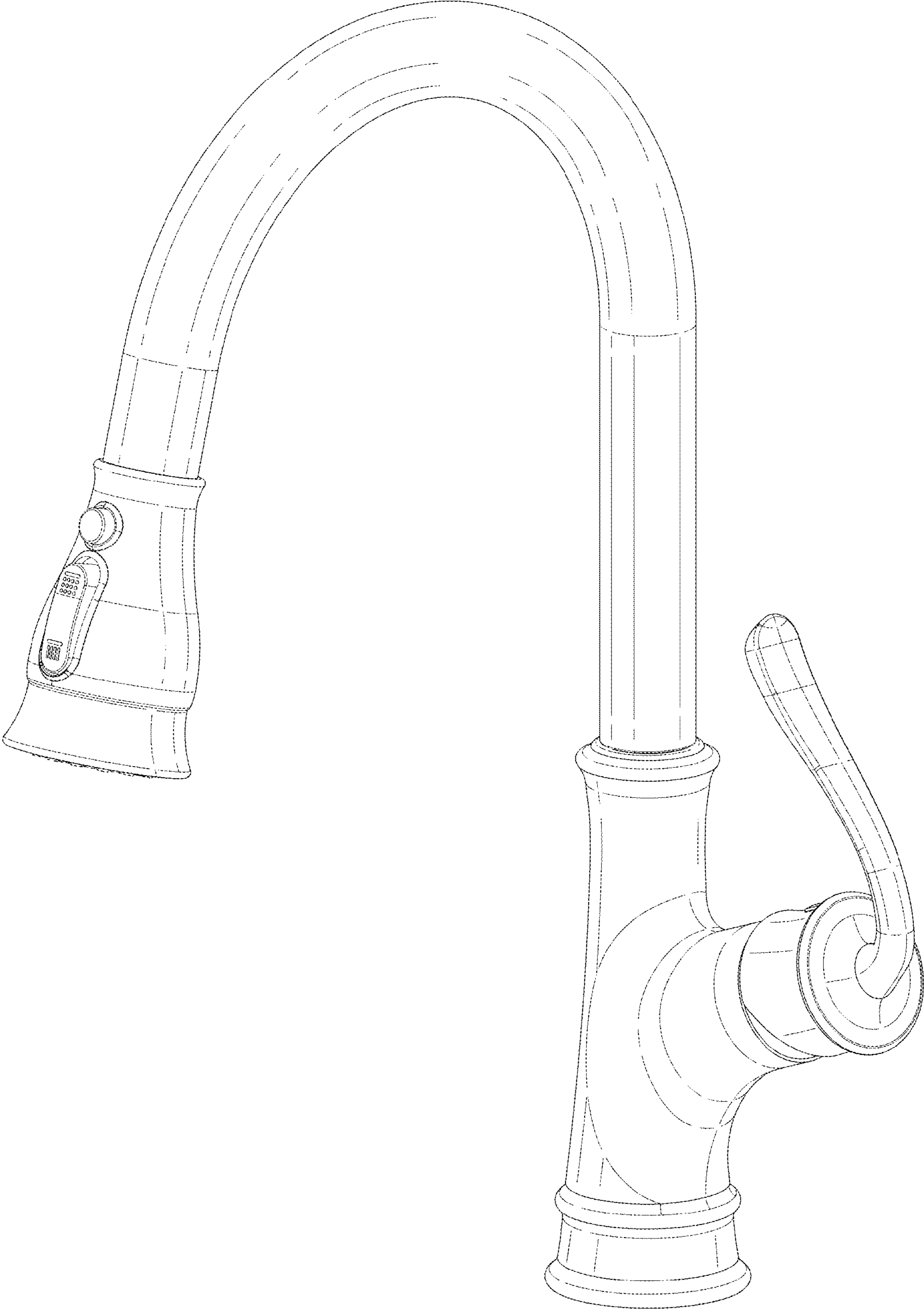


FIG. 1

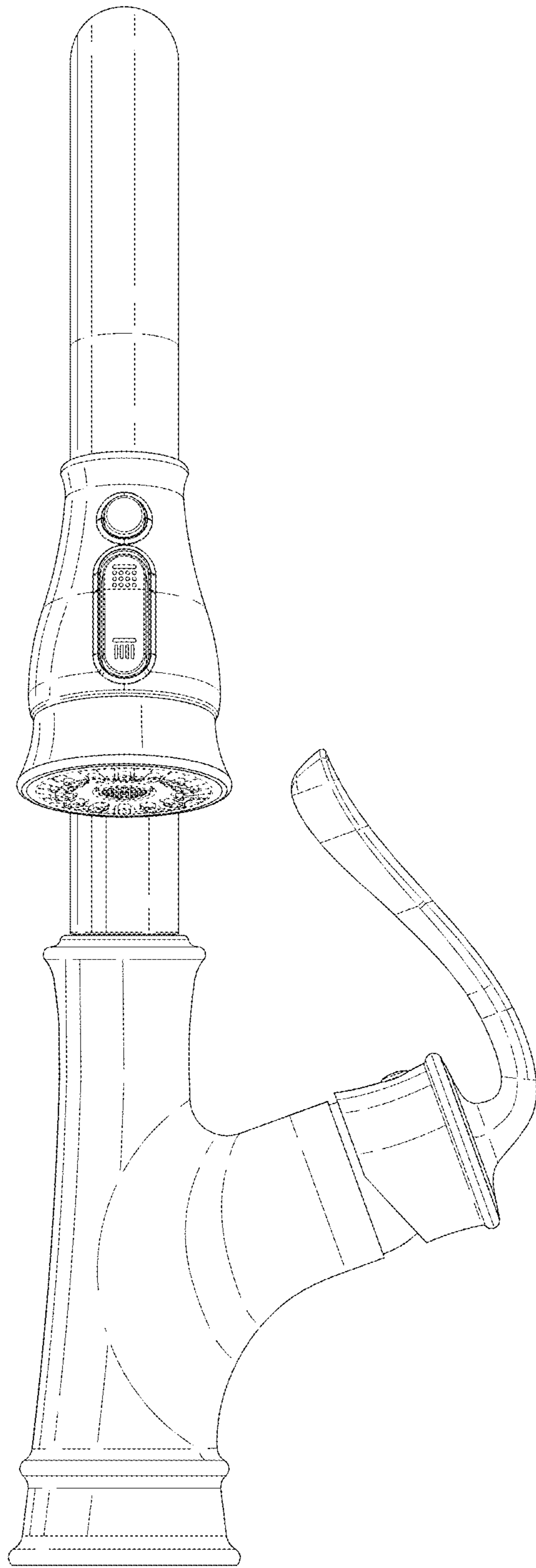


FIG. 2

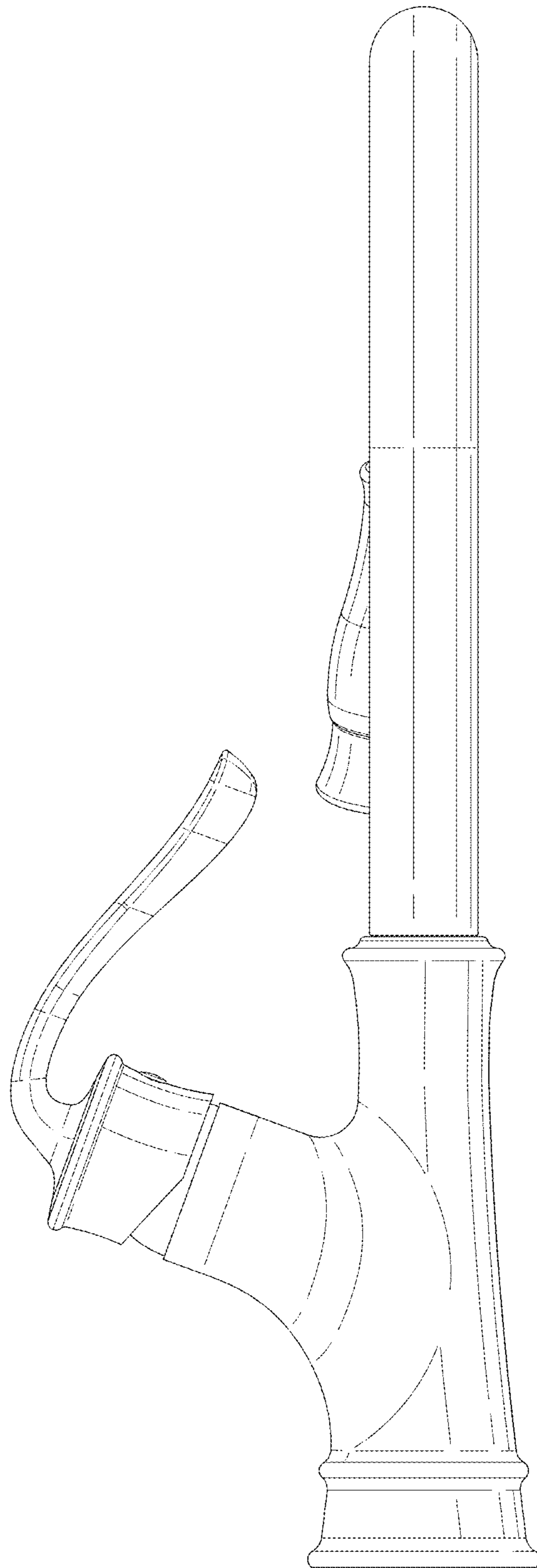


FIG. 3

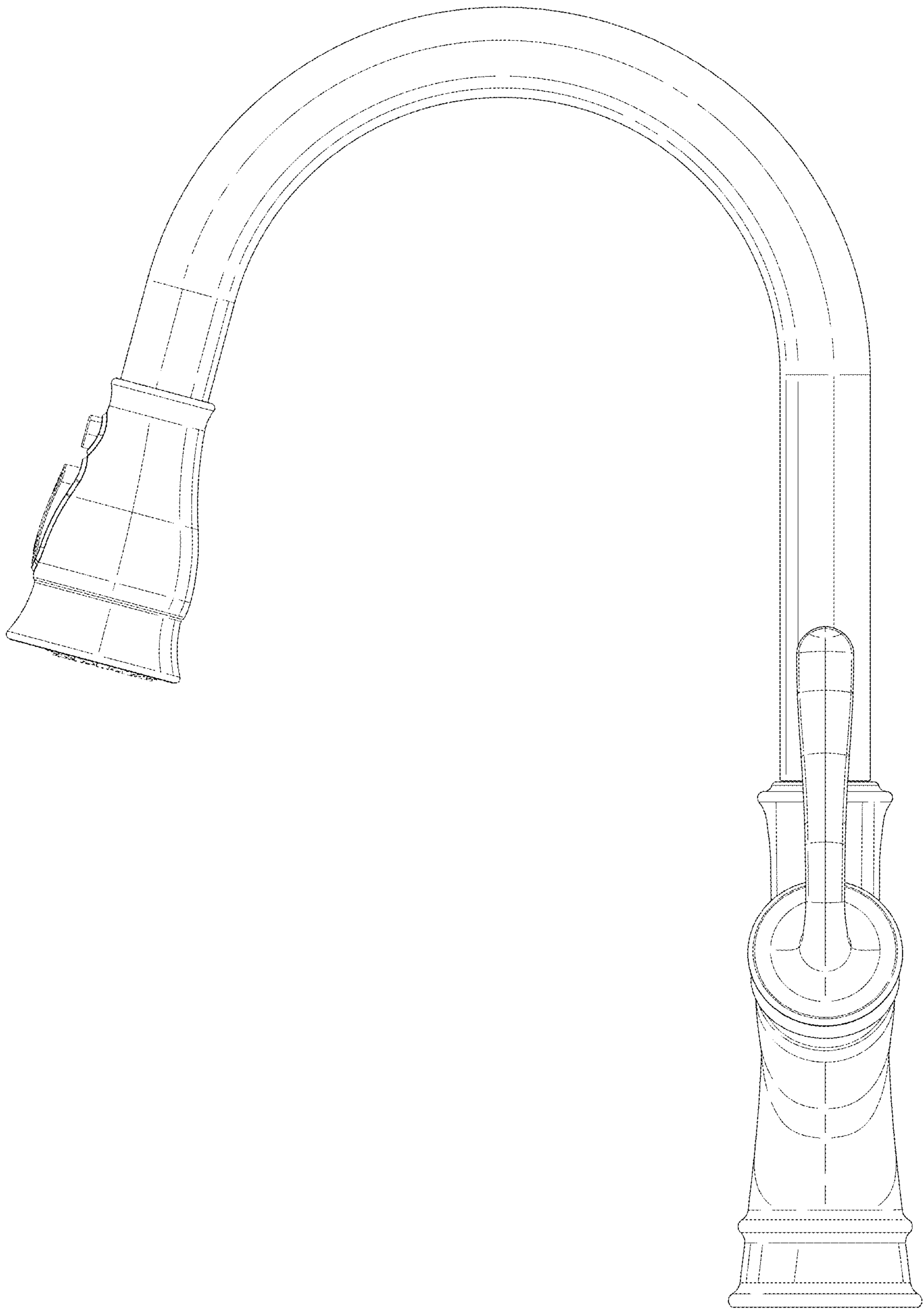


FIG. 4

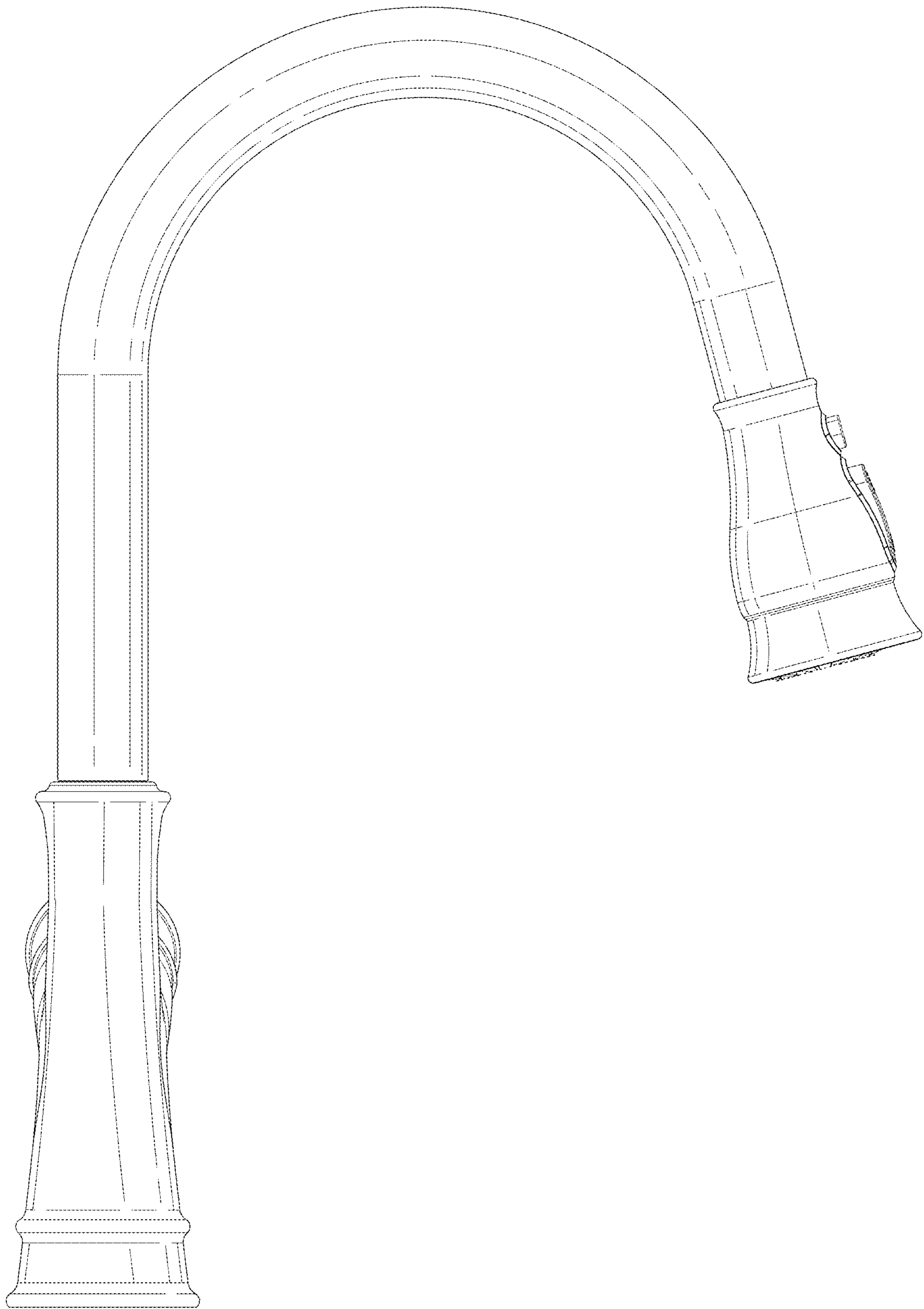


FIG. 5

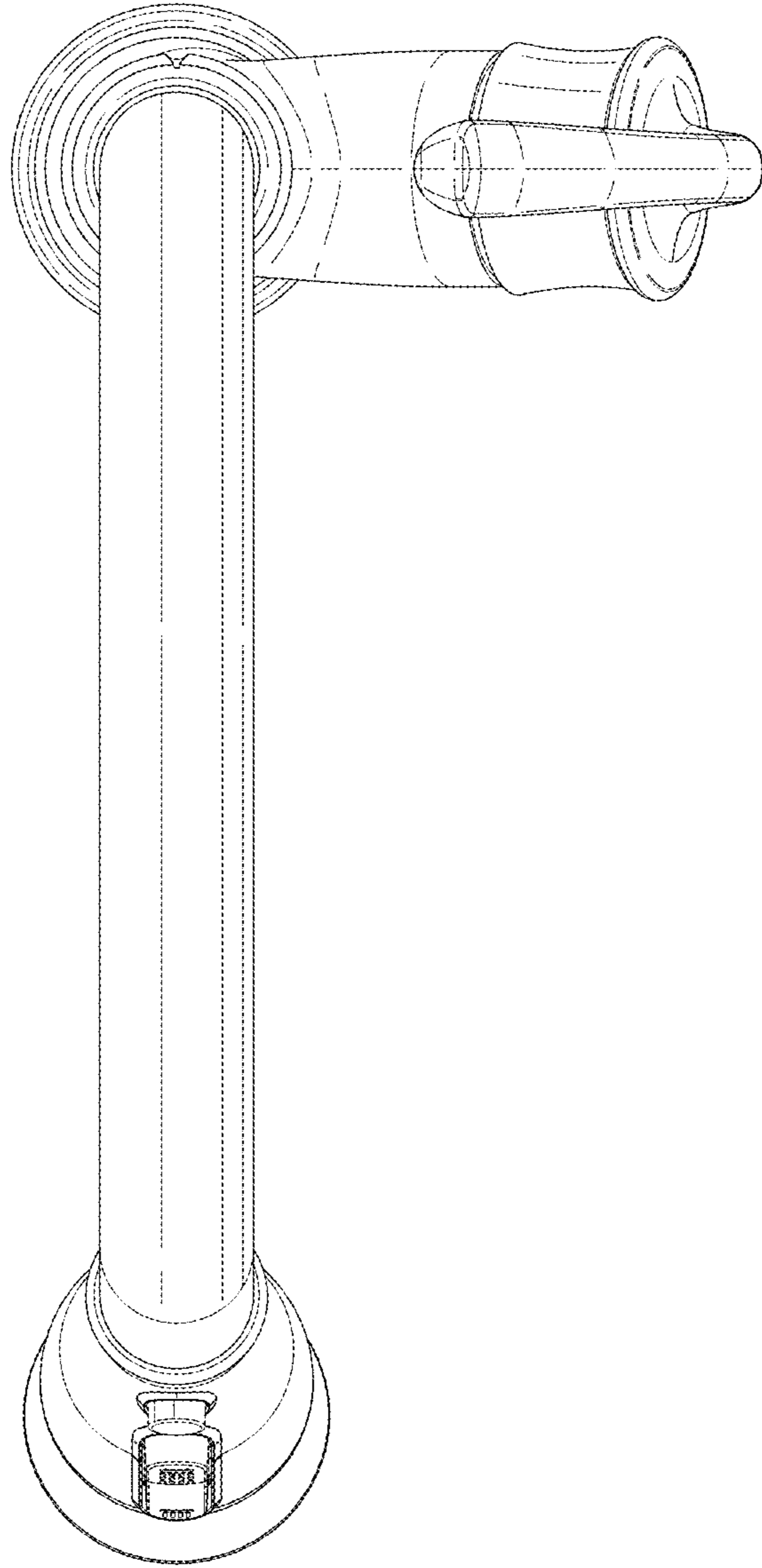


FIG. 6

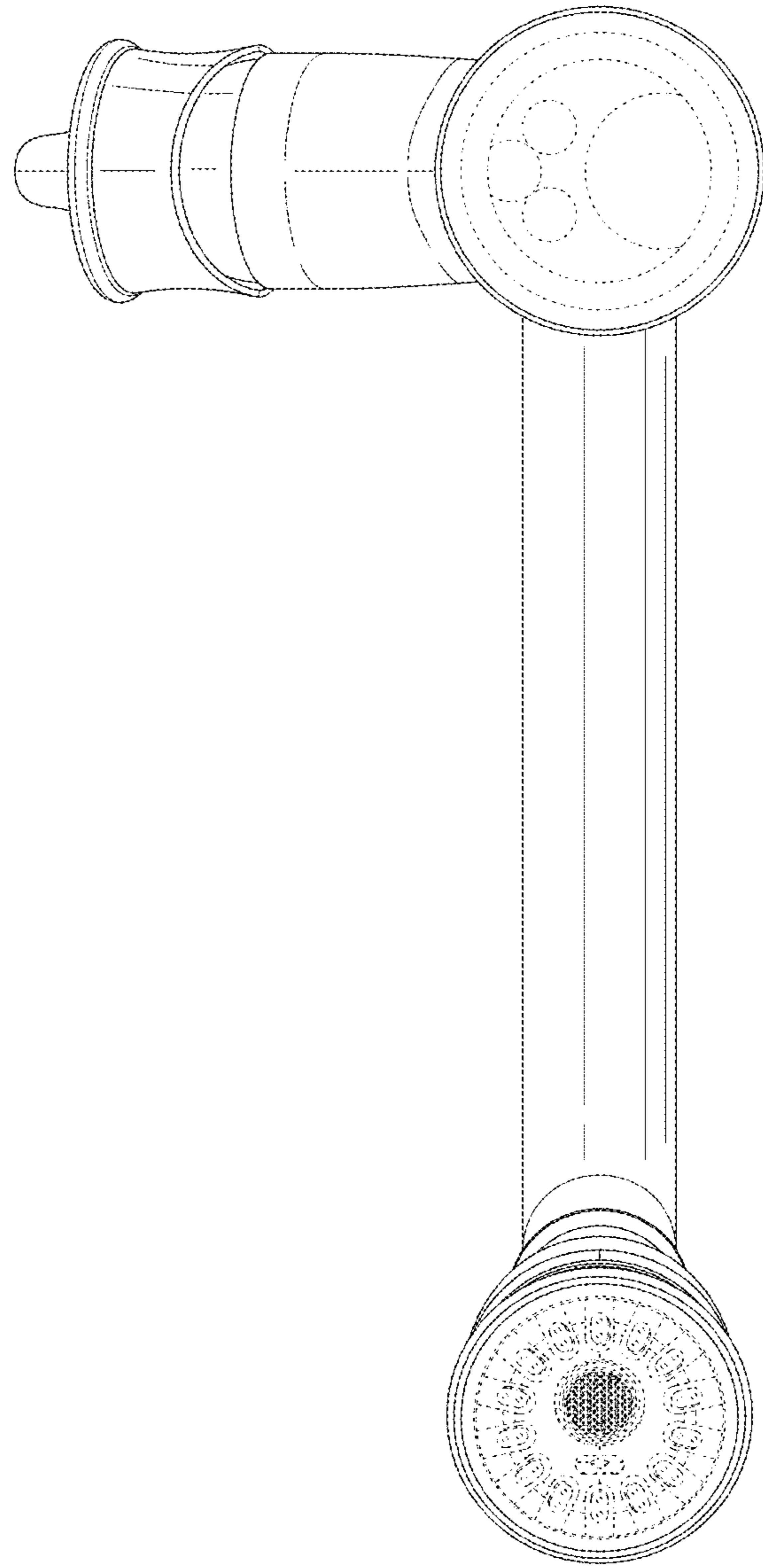


FIG. 7