



US00D912774S

(12) **United States Design Patent**  
**Seum et al.**

(10) **Patent No.:** **US D912,774 S**  
(45) **Date of Patent:** **\*\* Mar. 9, 2021**

(54) **FAUCET**

8,061,386 B2 \* 11/2011 Mueller ..... E03C 1/0404  
137/801  
D665,479 S \* 8/2012 Cocks ..... D23/238  
D860,396 S \* 9/2019 Seum ..... D23/238

(71) Applicant: **Grohe AG**, Hemer (DE)

(72) Inventors: **Michael Seum**, Duesseldorf (DE);  
**Jochen Allard**, Duesseldorf (DE)

\* cited by examiner

(73) Assignee: **Grohe AG**, Hemer (DE)

*Primary Examiner* — Robert A Delehanty  
(74) *Attorney, Agent, or Firm* — Muncy, Geissler, Olds &  
Lowe, P.C.

(\*\*) Term: **15 Years**

(21) Appl. No.: **29/704,926**

(57) **CLAIM**

(22) Filed: **Sep. 9, 2019**

The ornamental design for a faucet, as shown and described.

(30) **Foreign Application Priority Data**

**DESCRIPTION**

Mar. 7, 2019 (EM) ..... 006292199-0001

(51) **LOC (13) Cl.** ..... **23-01**

(52) **U.S. Cl.**  
USPC ..... **D23/238**

(58) **Field of Classification Search**  
USPC ..... D23/255, 257, 238, 241–243, 252, 254  
See application file for complete search history.

FIG. 1 is a front perspective view of a faucet according to the present invention.  
FIG. 2 is a front view of the faucet of FIG. 1.  
FIG. 3 is a rear view of the faucet of FIG. 1.  
FIG. 4 is a left side view of the faucet of FIG. 1.  
FIG. 5 is a right side view of the faucet of FIG. 1.  
FIG. 6 is a top view of the faucet of FIG. 1; and,  
FIG. 7 is a bottom view of the faucet of FIG. 1.

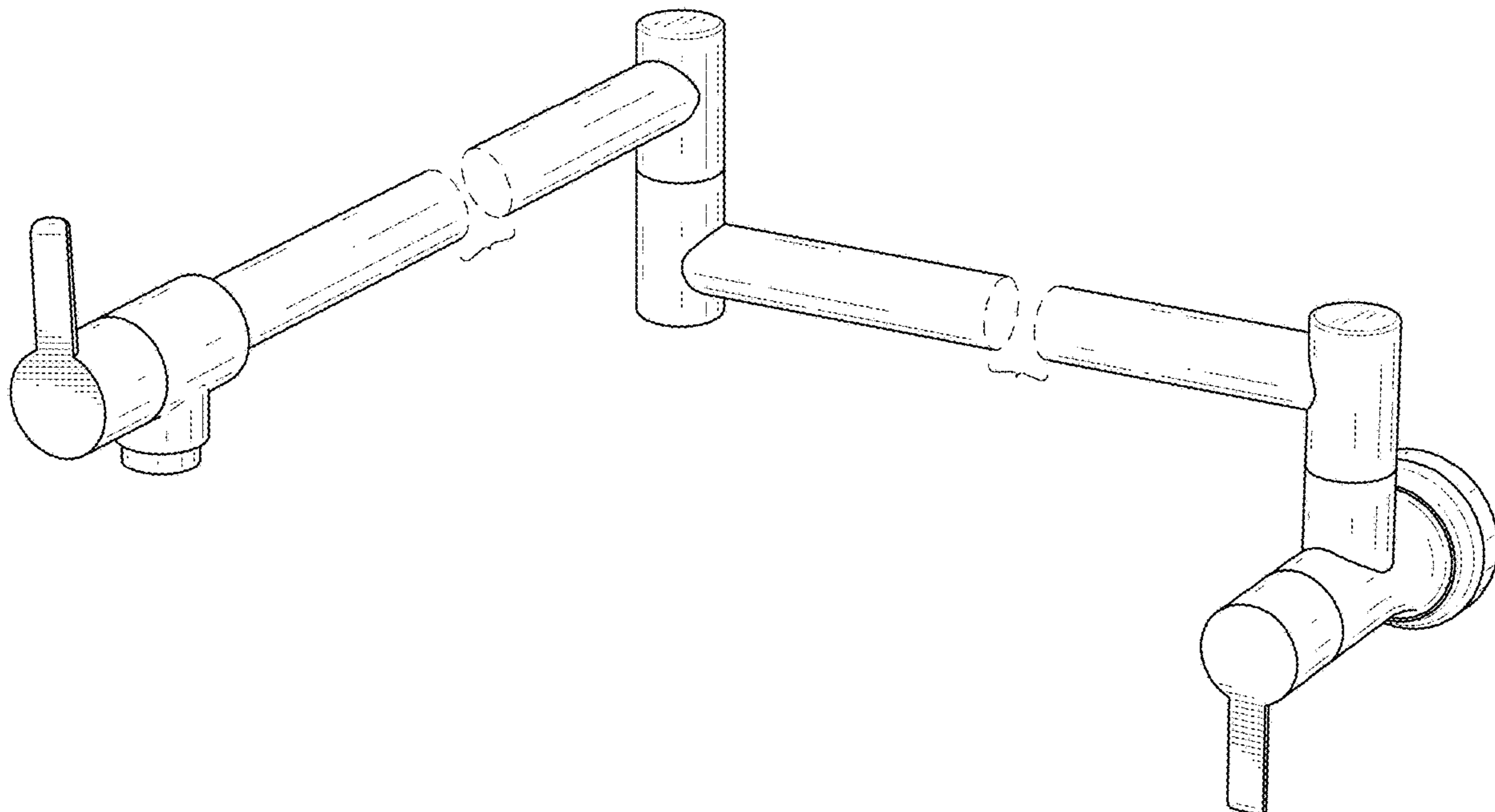
(56) **References Cited**

**U.S. PATENT DOCUMENTS**

D589,121 S \* 3/2009 McKeone ..... D23/238  
D619,220 S \* 7/2010 Semchuck ..... D23/238  
8,056,574 B2 \* 11/2011 Erickson ..... E03C 1/042  
137/15.18

The dashed lines illustrate environment that does not form a part of the present invention, and no claim is made to the material illustrated with dashed lines. The appearance of any portion of the article between the broken away symbols forms no part of the claimed design.

**1 Claim, 7 Drawing Sheets**



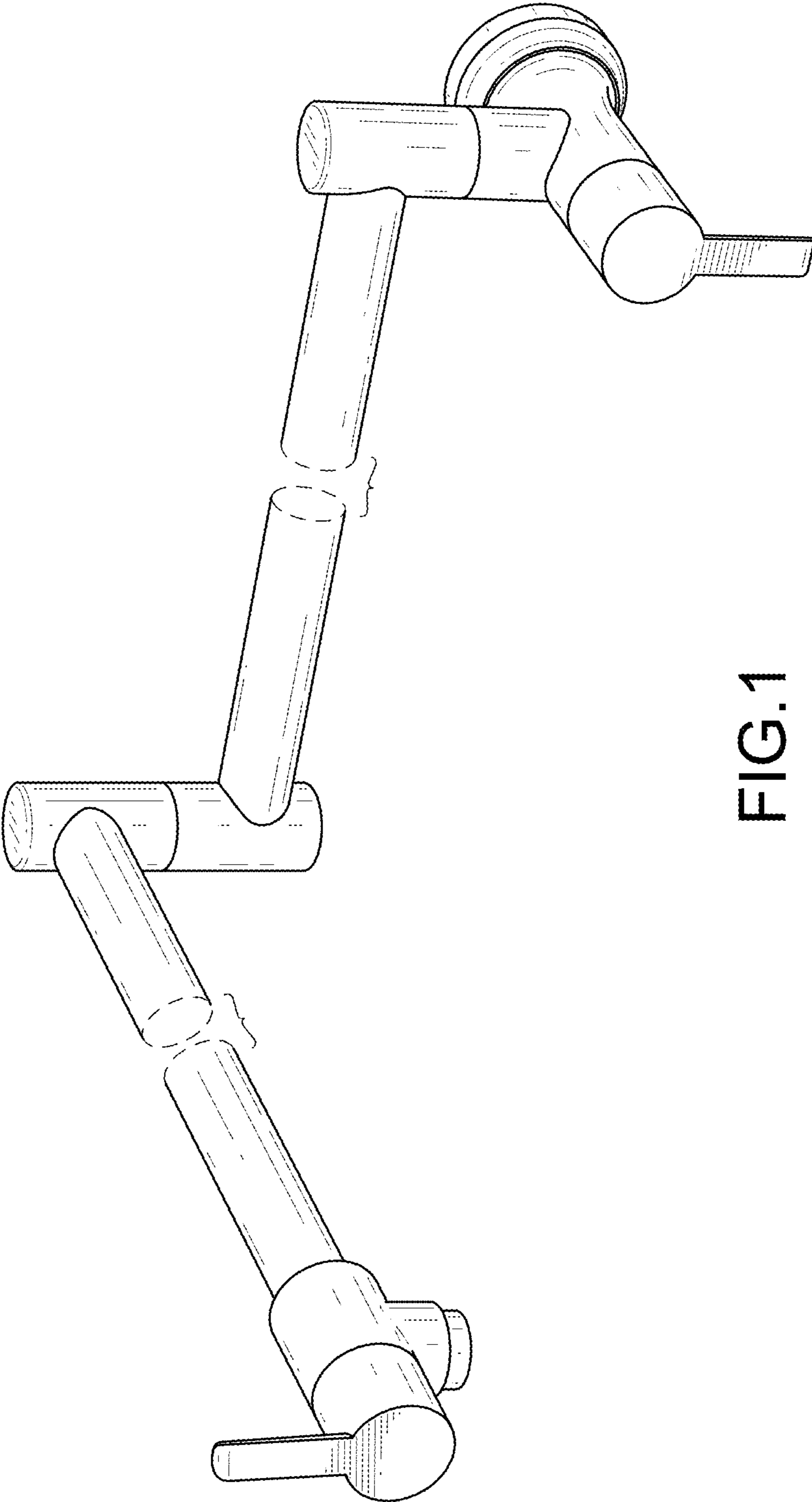


FIG. 1

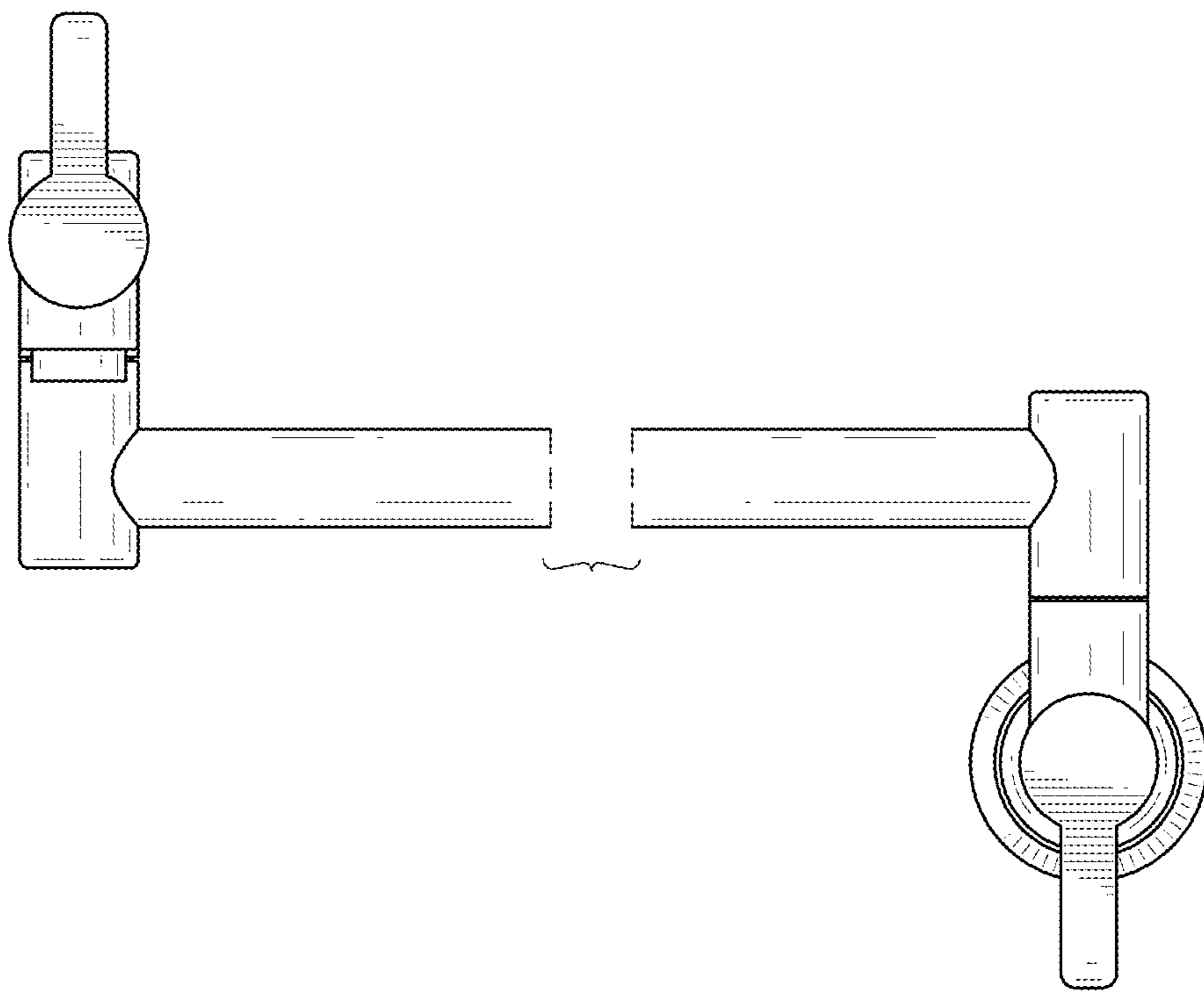


FIG. 2

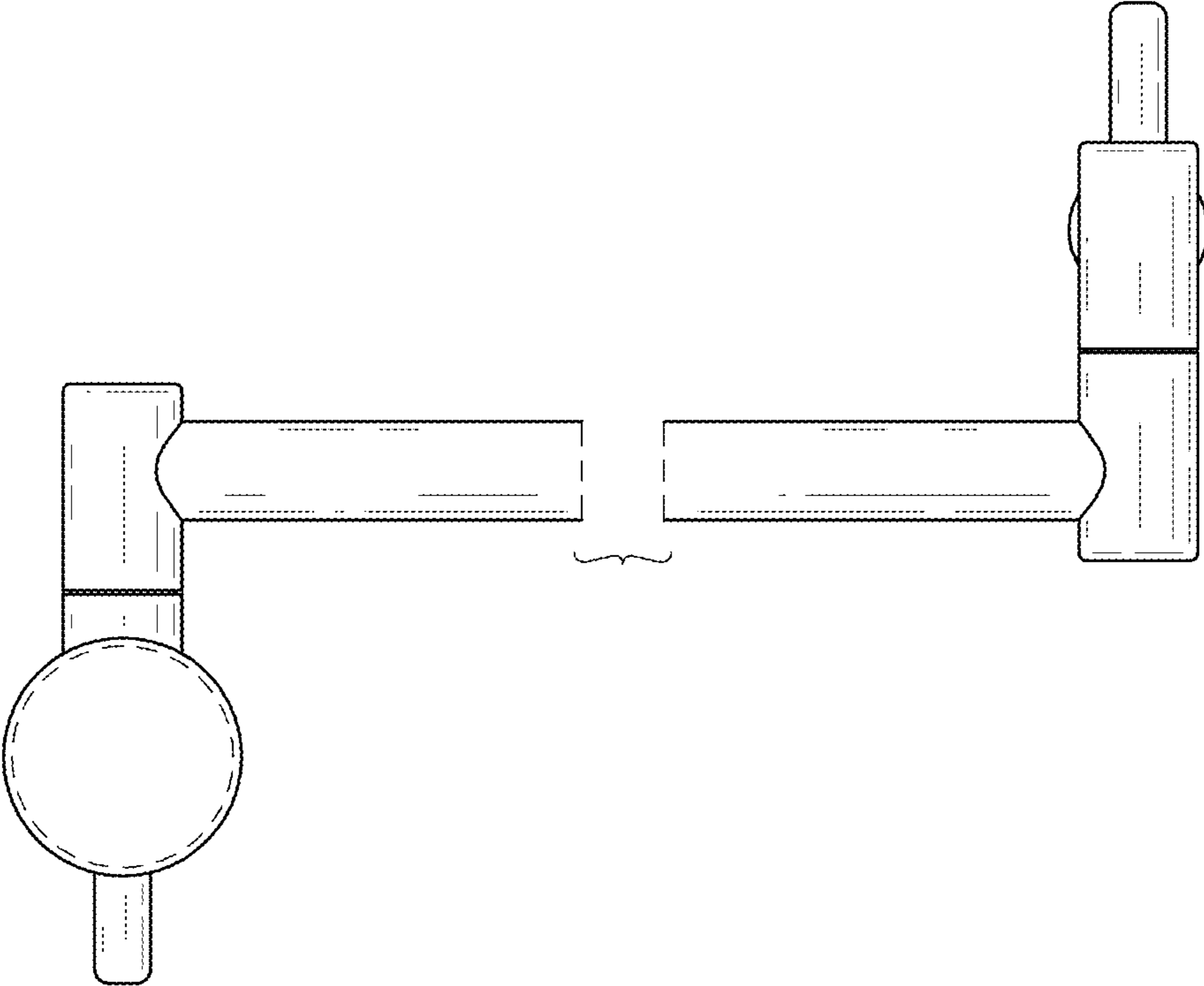


FIG.3

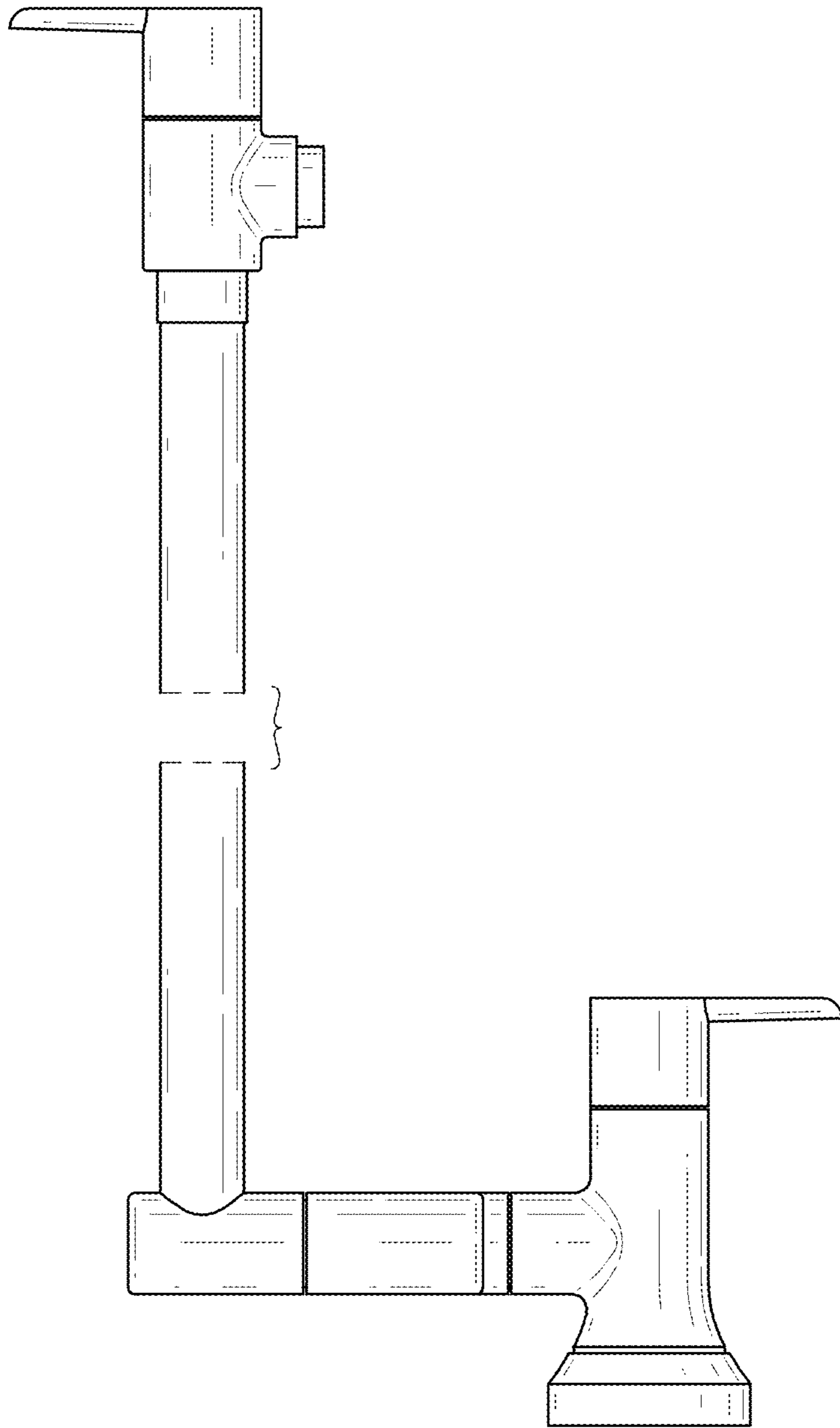


FIG.4

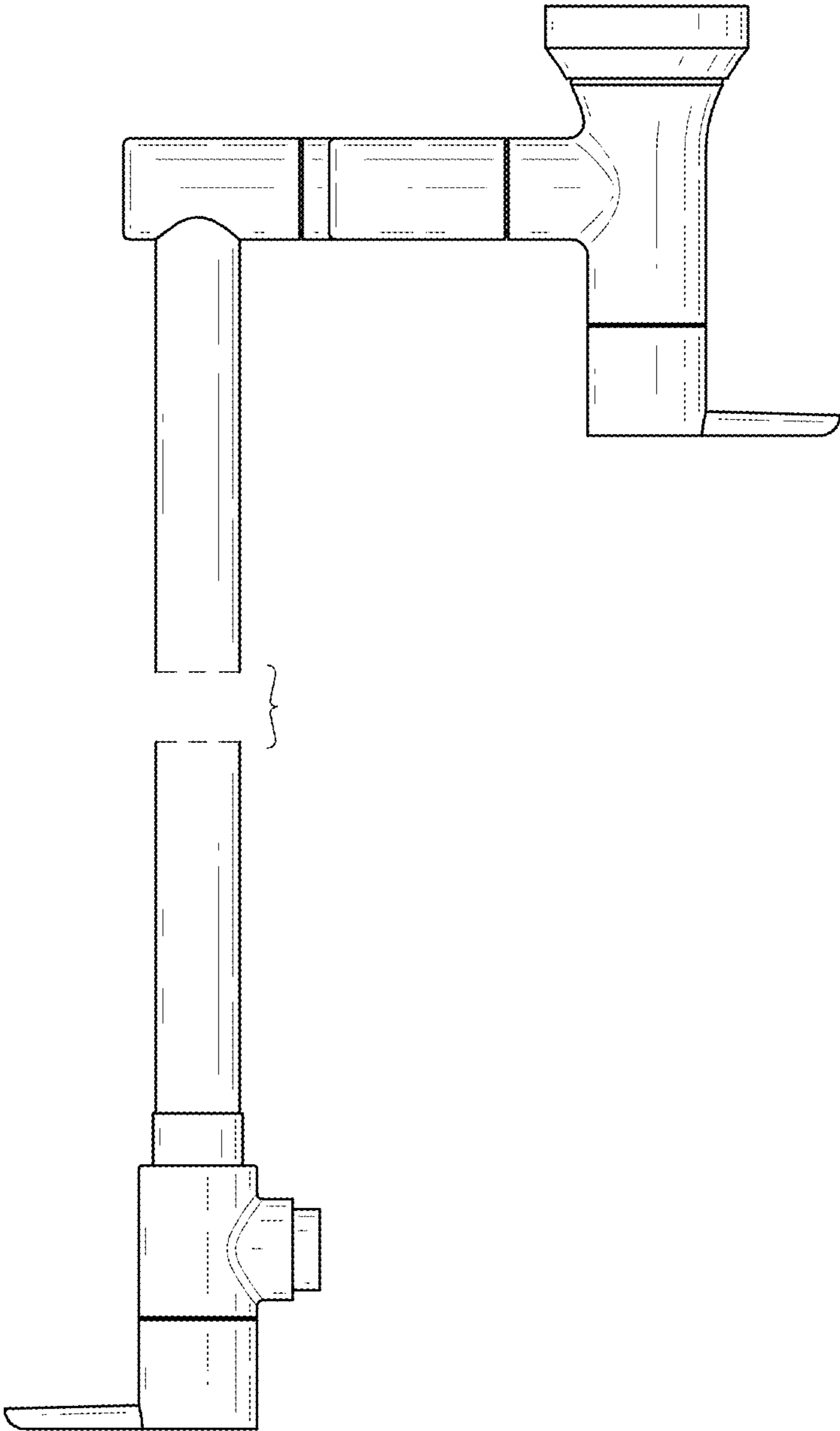


FIG. 5

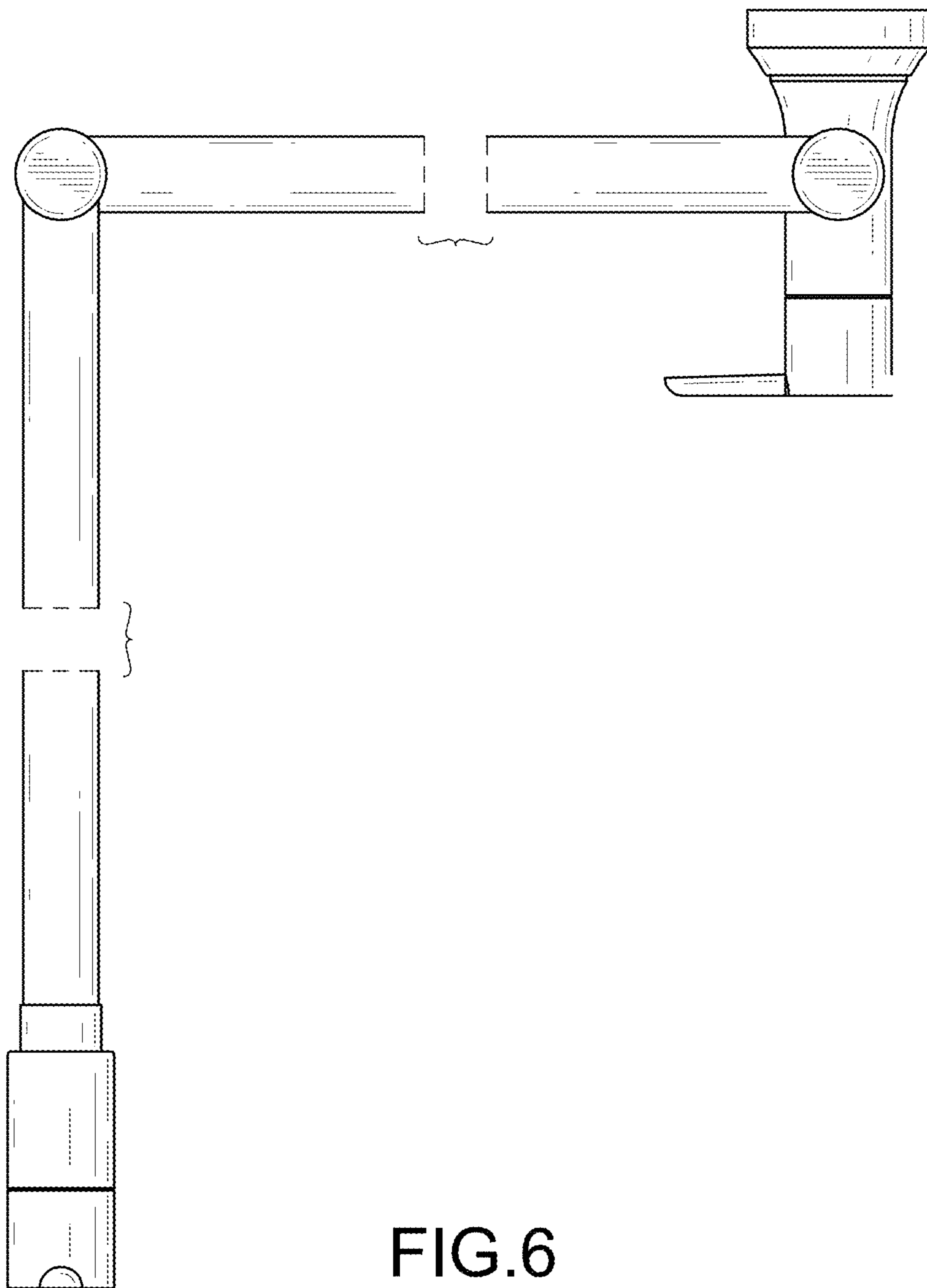


FIG.6

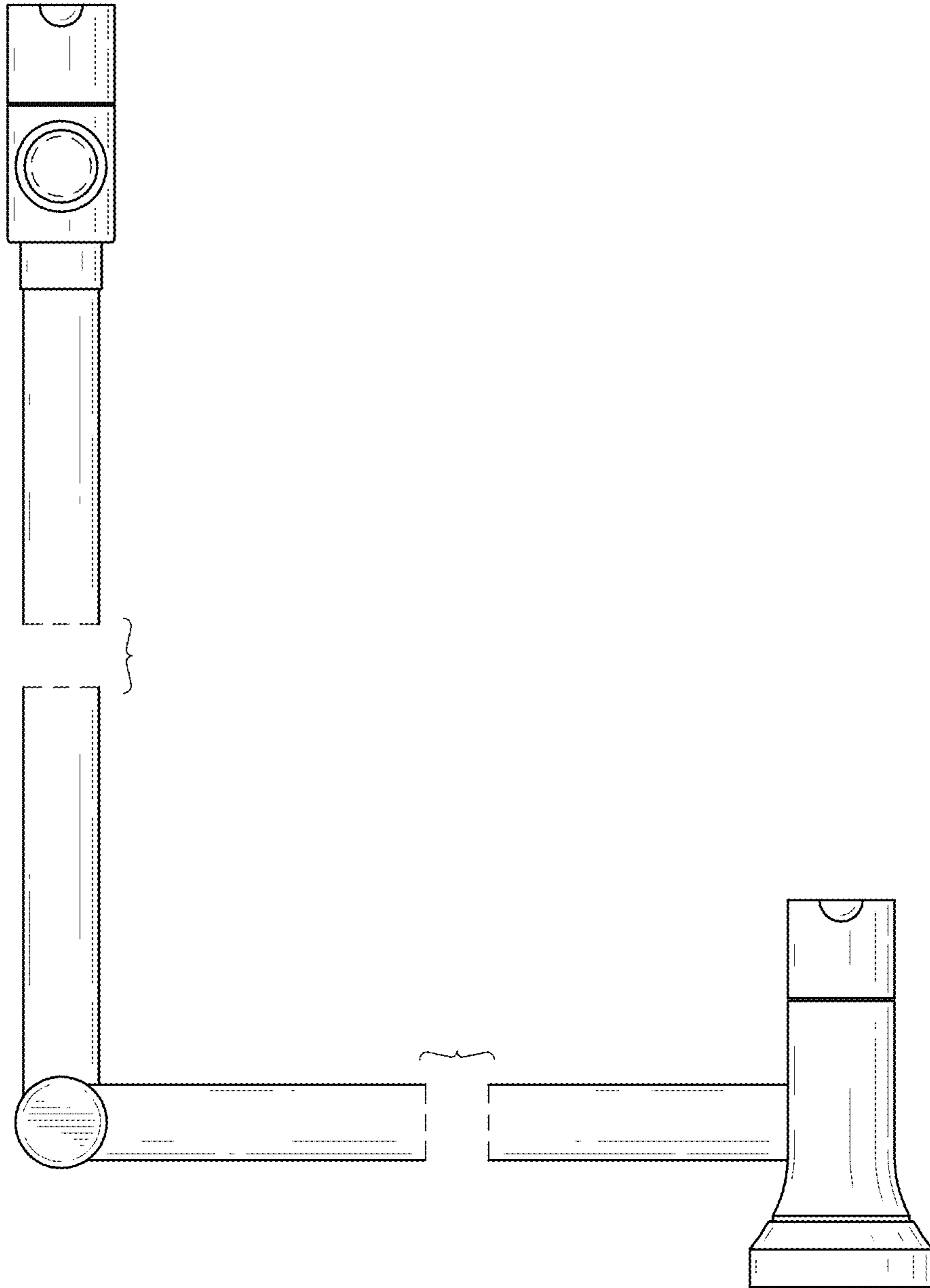


FIG. 7