



US00D912770S

(12) **United States Design Patent** (10) **Patent No.:** **US D912,770 S**
Soulier et al. (45) **Date of Patent:** **** Mar. 9, 2021**

(54) **FAUCET**
(71) Applicant: **Kohler Co.**, Kohler, WI (US)
(72) Inventors: **Jean-Hugues Soulier**, Paris (FR);
Ferran Serra Sola, Paris (FR)
(73) Assignee: **KOHLER CO.**, Kohler, WI (US)
(**) Term: **15 Years**
(21) Appl. No.: **29/638,371**
(22) Filed: **Feb. 27, 2018**
(51) **LOC (13) Cl.** **23-01**
(52) **U.S. Cl.**
USPC **D23/238**
(58) **Field of Classification Search**
USPC D23/238-241, 250, 252-254;
D8/307-308
CPC Y10T 137/9464; Y10T 137/6014; Y10T
137/6017
See application file for complete search history.

D555,771 S 11/2007 Noth et al.
D564,634 S 3/2008 Kirar
D589,594 S * 3/2009 Lammel D23/238
D685,878 S * 7/2013 Fritz D23/238
D689,595 S 9/2013 Georgeson
D708,714 S 7/2014 Georgeson
D760,065 S 6/2016 Kuehn
D804,615 S * 12/2017 Seum D23/238
D811,529 S 2/2018 Schoenherr et al.
D811,532 S 2/2018 Schoenherr et al.
D813,986 S 3/2018 Schoenherr et al.
D813,987 S * 3/2018 Schoenherr D23/238
D813,988 S 3/2018 Schoenherr et al.
D813,990 S * 3/2018 Schoenherr D23/242
D823,988 S * 7/2018 Soulier D23/238
D827,779 S 9/2018 Soulier
D828,908 S 9/2018 Merki

* cited by examiner

Primary Examiner — Robert A Delehanty
(74) *Attorney, Agent, or Firm* — Foley & Lardner LLP

(57) **CLAIM**

We claim the ornamental design for a faucet, as shown and described.

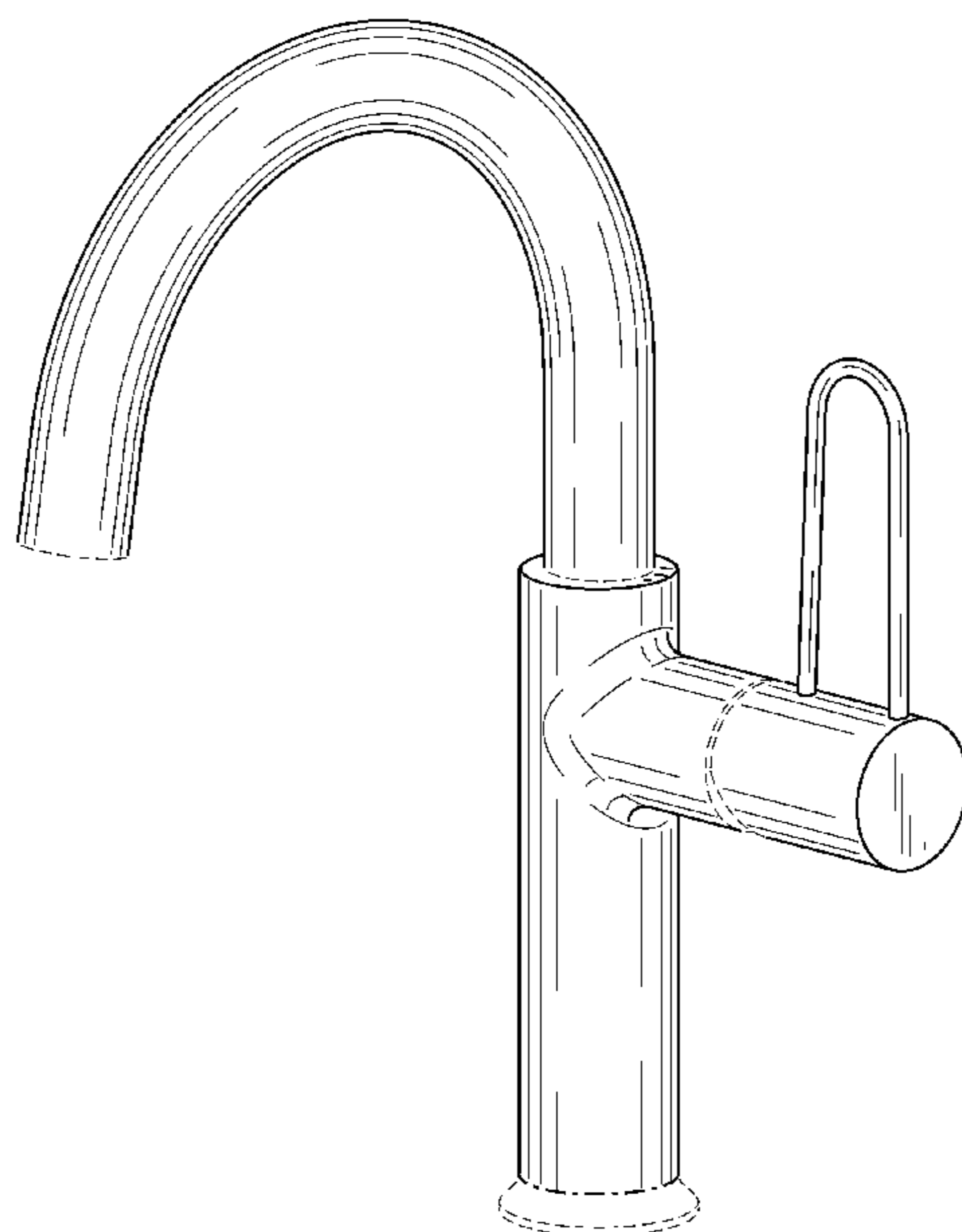
DESCRIPTION

FIG. 1 is a perspective view of an embodiment of the claimed design;
FIG. 2 is a front view of the embodiment of FIG. 1;
FIG. 3 is a rear view of the embodiment of FIG. 1;
FIG. 4 is a side view of the embodiment of FIG. 1;
FIG. 5 is another side view of the embodiment of FIG. 1;
FIG. 6 is a top view of the embodiment of FIG. 1; and,
FIG. 7 is a bottom view of the embodiment of FIG. 1.
The ornamental design which is claimed is shown in solid lines in the drawings. The broken lines in the drawings are for illustrative purposes only and form no part of the claimed design. Broken lines formed of unequal length dashes (i.e., dash-dot) define bounds of the claimed design.

1 Claim, 7 Drawing Sheets

(56) **References Cited**
U.S. PATENT DOCUMENTS

D291,232 S 8/1987 Haug et al.
D291,238 S 8/1987 Haug et al.
D327,529 S 6/1992 Dannenberg
D340,968 S 11/1993 McKeone et al.
D350,390 S 9/1994 Bollenbacher
D352,095 S 11/1994 Bollenbacher
D376,413 S 12/1996 Kergoet
D428,965 S 8/2000 Slothower
D460,150 S 7/2002 Rexach
D479,579 S * 9/2003 Haug D23/238
D513,060 S 12/2005 Ouyoung
D527,076 S * 8/2006 Kolin D23/241
D531,698 S * 11/2006 Wood D23/238
D532,866 S 11/2006 Kirar
D535,360 S 1/2007 Noth et al.



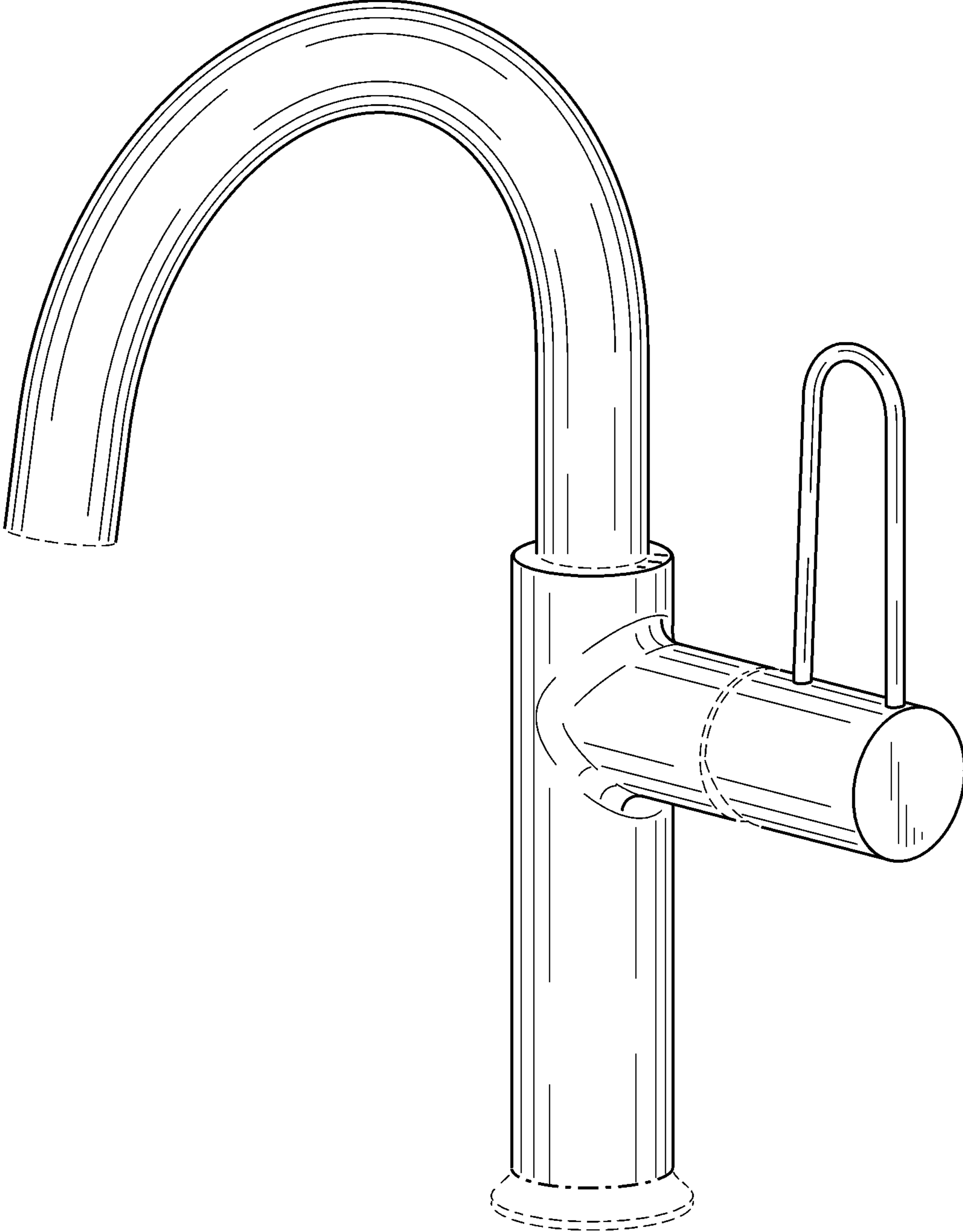


FIG. 1

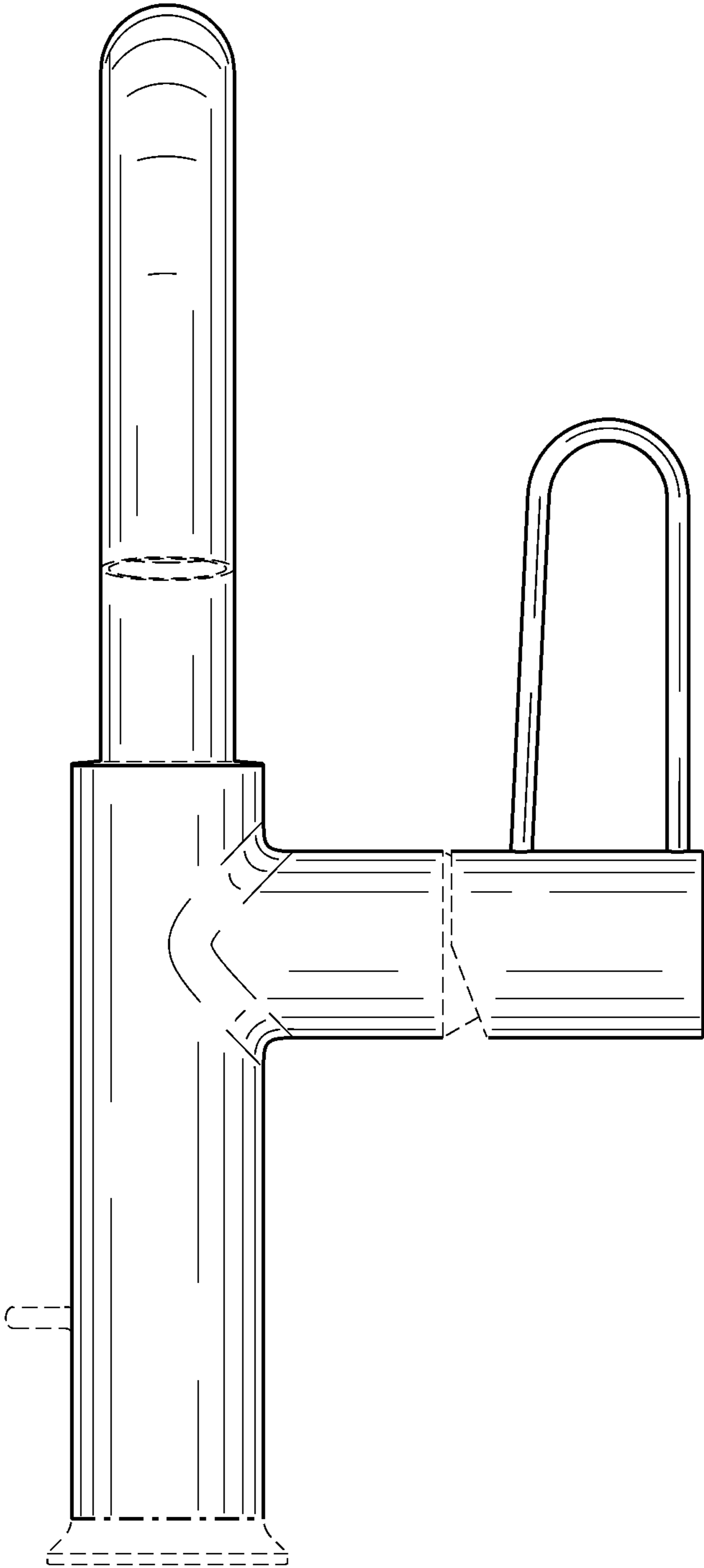


FIG. 2

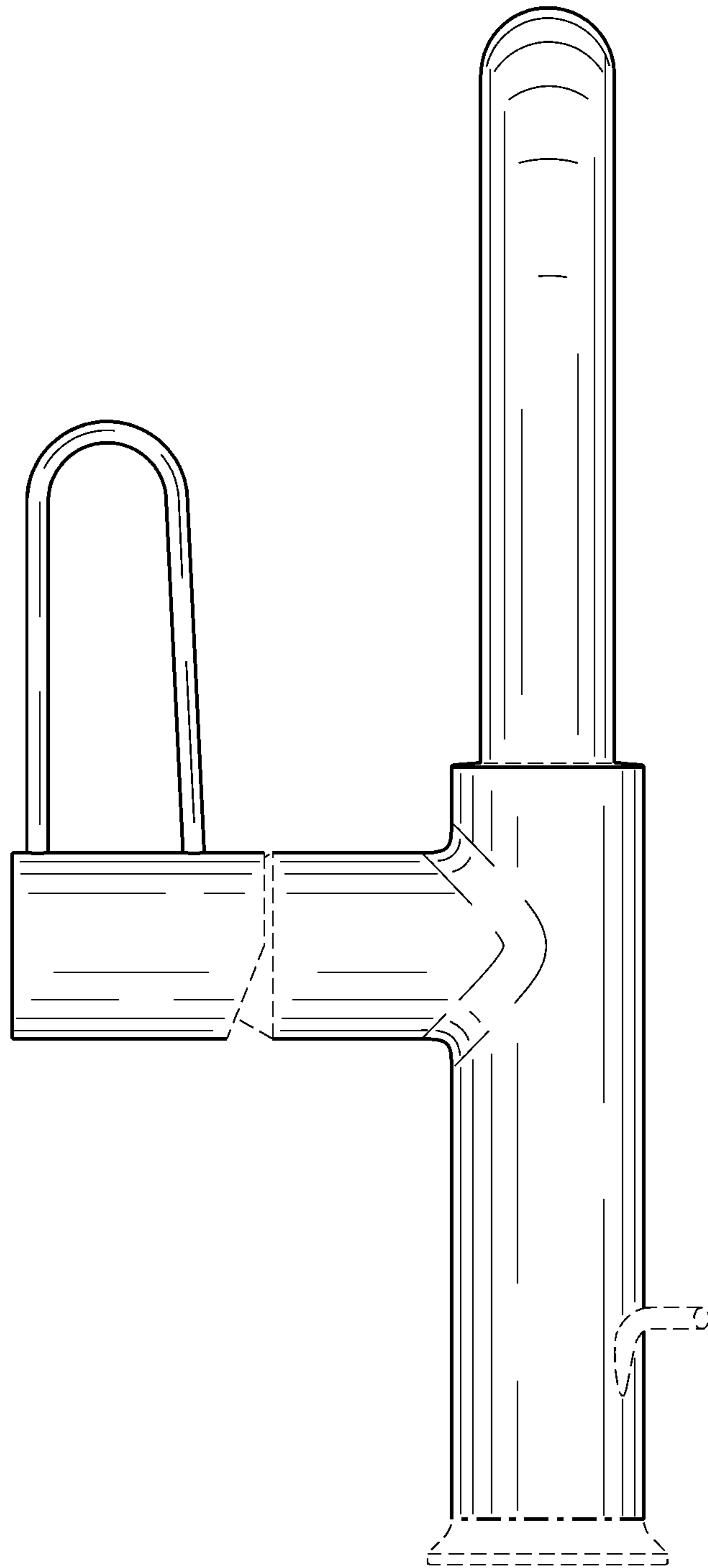


FIG. 3

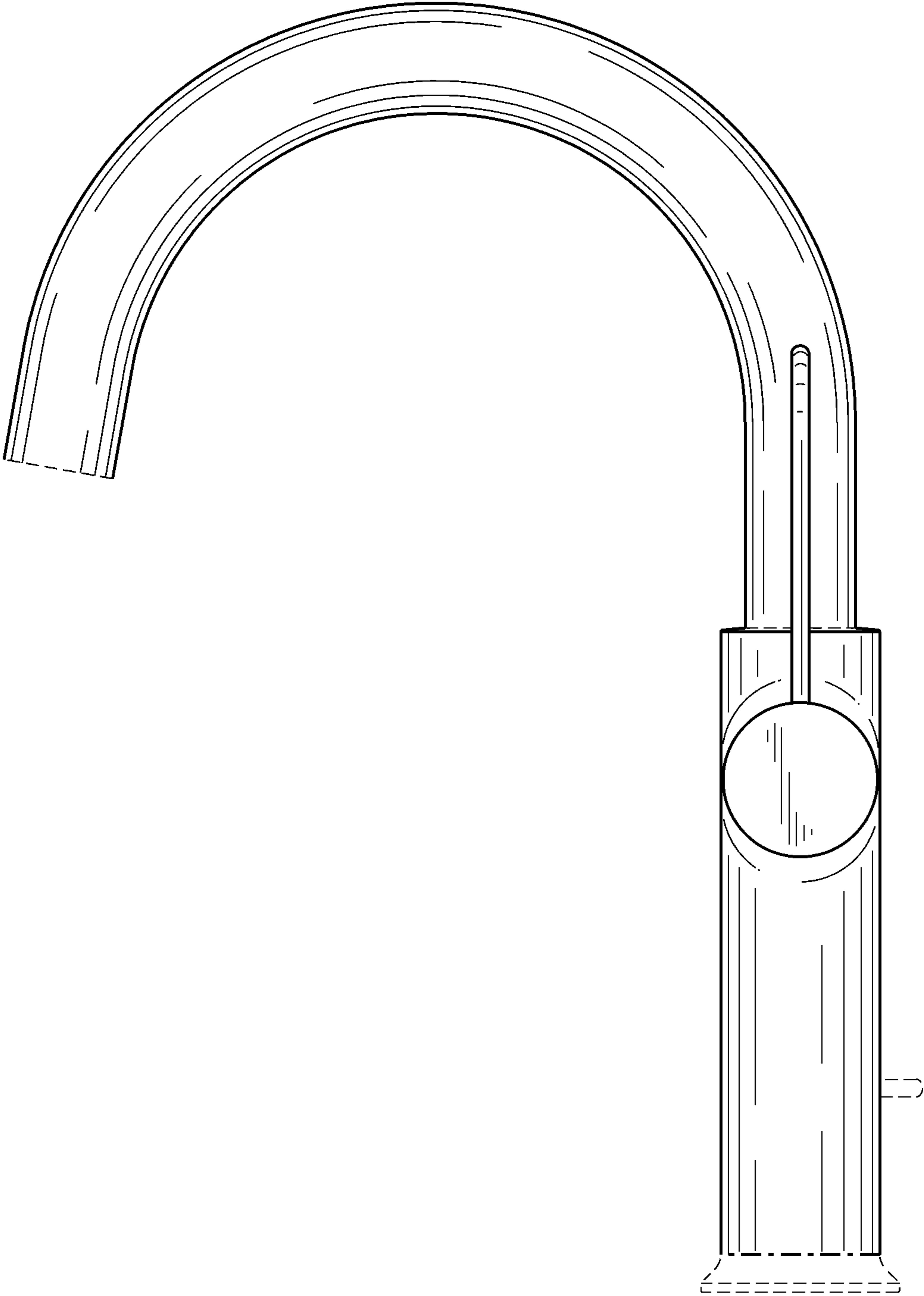


FIG. 4

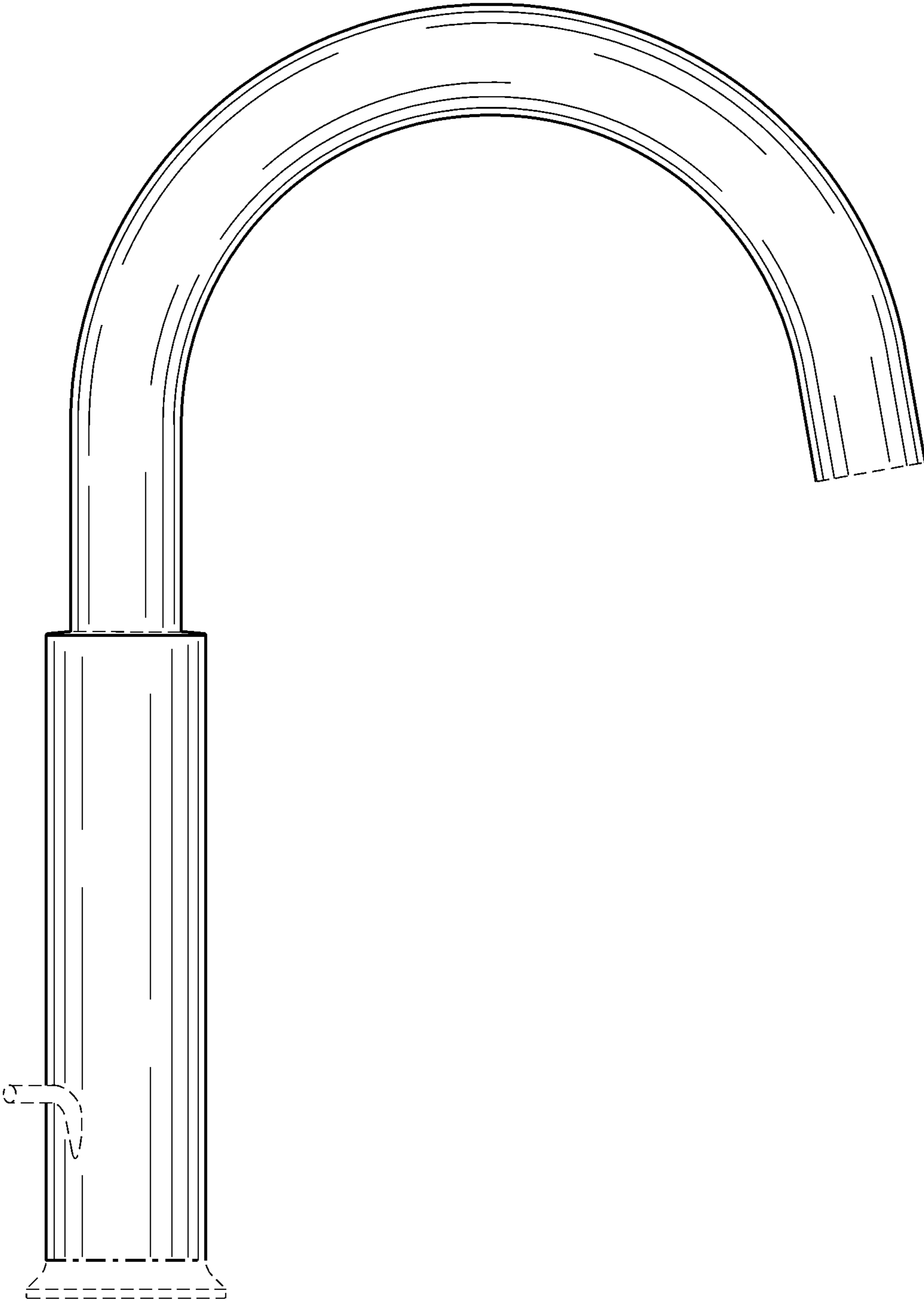


FIG. 5

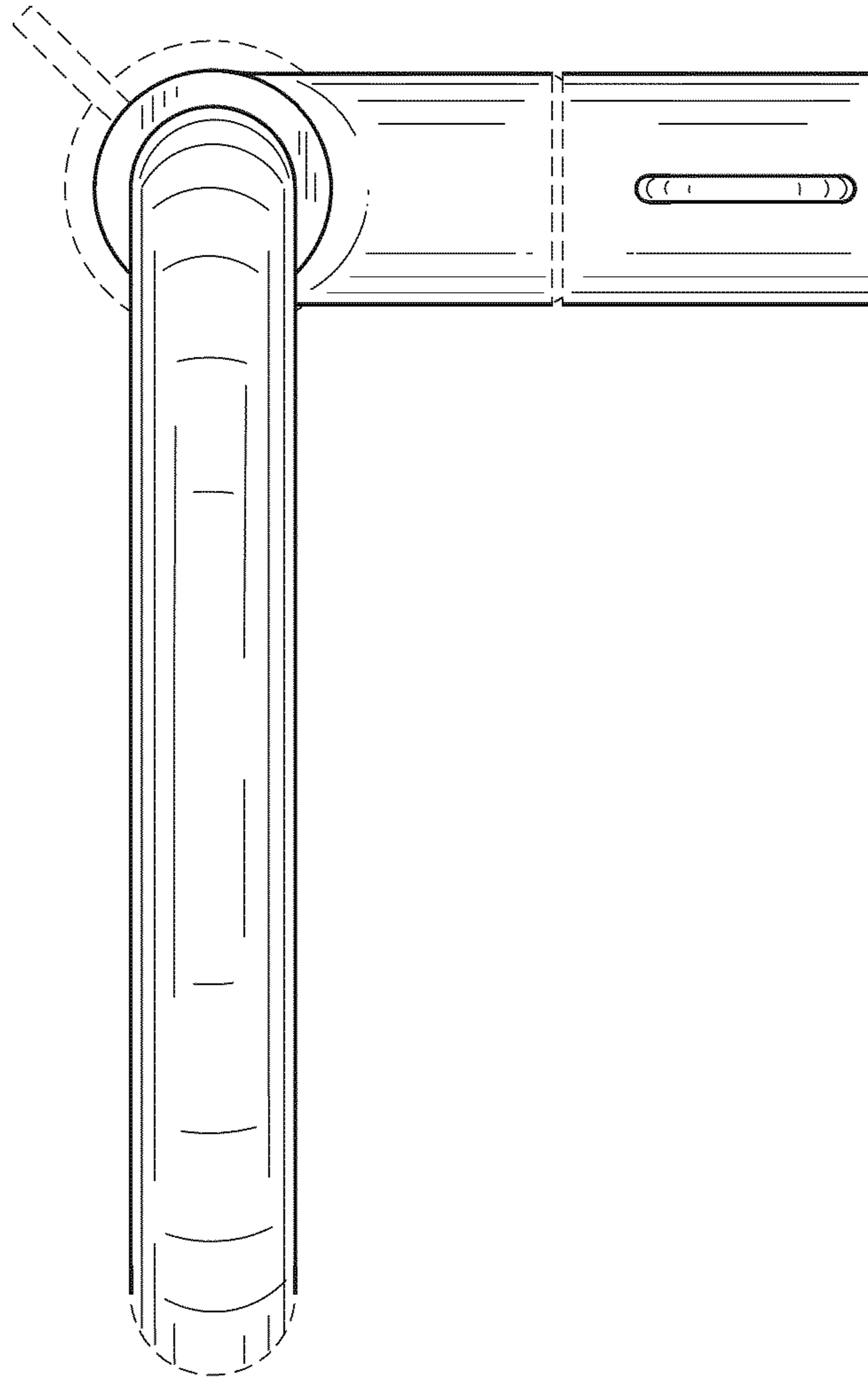


FIG. 6

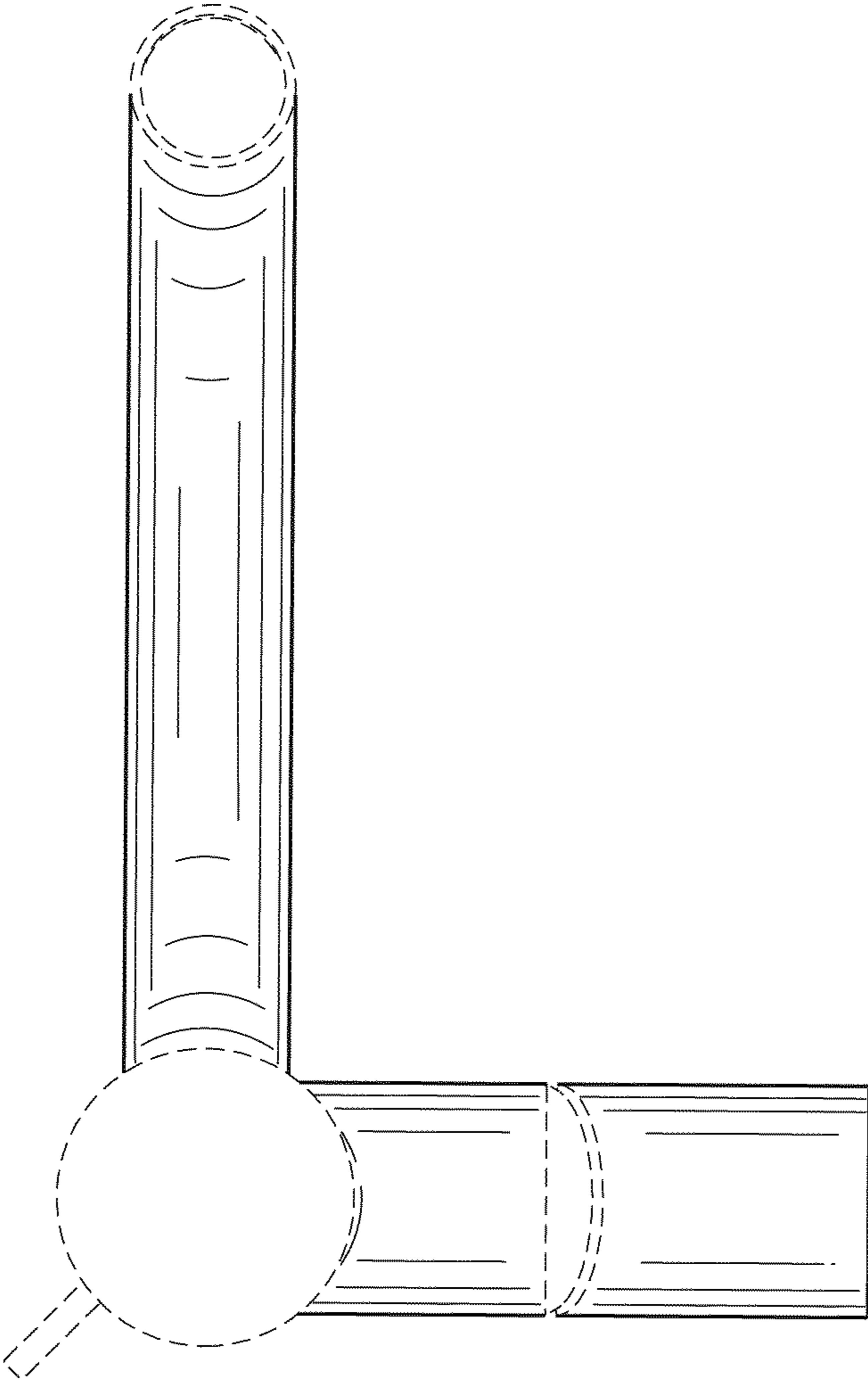


FIG. 7