



US00D912769S

(12) **United States Design Patent**  
**Glaser**

(10) **Patent No.:** **US D912,769 S**

(45) **Date of Patent:** **\*\* Mar. 9, 2021**

(54) **VALVE MANIFOLD**

(71) Applicant: **HAWE Hydraulik SE**, Aschheim (DE)

(72) Inventor: **Johannes Glaser**, Aschheim (DE)

(73) Assignee: **HAWE Hydraulik SE**, Aschheim (DE)

(\*\*) Term: **15 Years**

(21) Appl. No.: **29/670,631**

(22) Filed: **Nov. 18, 2018**

(30) **Foreign Application Priority Data**

Sep. 10, 2018 (EM) ..... 005 634 466-0001

(51) **LOC (13) Cl.** ..... **23-01**

(52) **U.S. Cl.**  
USPC ..... **D23/233**

(58) **Field of Classification Search**

USPC ..... D23/233, 249; 137/884, 606; D15/5, 7  
CPC ..... F16K 27/003; F16K 1/126; F16K 11/22;  
F16K 27/0263; F15B 13/0814; F15B  
13/0817; F15B 2013/002; F15B 13/0842;  
F15B 2013/006

See application file for complete search history.

(56) **References Cited**

**U.S. PATENT DOCUMENTS**

D521,597 S \* 5/2006 Nimberger ..... D23/233  
D578,549 S \* 10/2008 Nimberger ..... D15/5

D615,619 S \* 5/2010 Roys ..... D23/233  
8,322,380 B2 \* 12/2012 Taskar ..... F16L 41/03  
137/884  
D705,817 S \* 5/2014 Bayyouk ..... D15/7  
D706,397 S \* 6/2014 Hawes ..... D23/233  
D731,620 S \* 6/2015 Galle ..... D23/233  
10,655,773 B2 \* 5/2020 Lee ..... F16K 11/10  
2003/0155025 A1 \* 8/2003 Camozzi ..... F16K 27/003  
137/884

\* cited by examiner

*Primary Examiner* — Gino Colan

(74) *Attorney, Agent, or Firm* — Aslan Law, P.C.

(57) **CLAIM**

The ornamental design for a valve manifold, as shown and described.

**DESCRIPTION**

FIG. 1 is a perspective view of a valve manifold showing my new design;

FIG. 2 is a bottom view thereof;

FIG. 3 is a front view thereof;

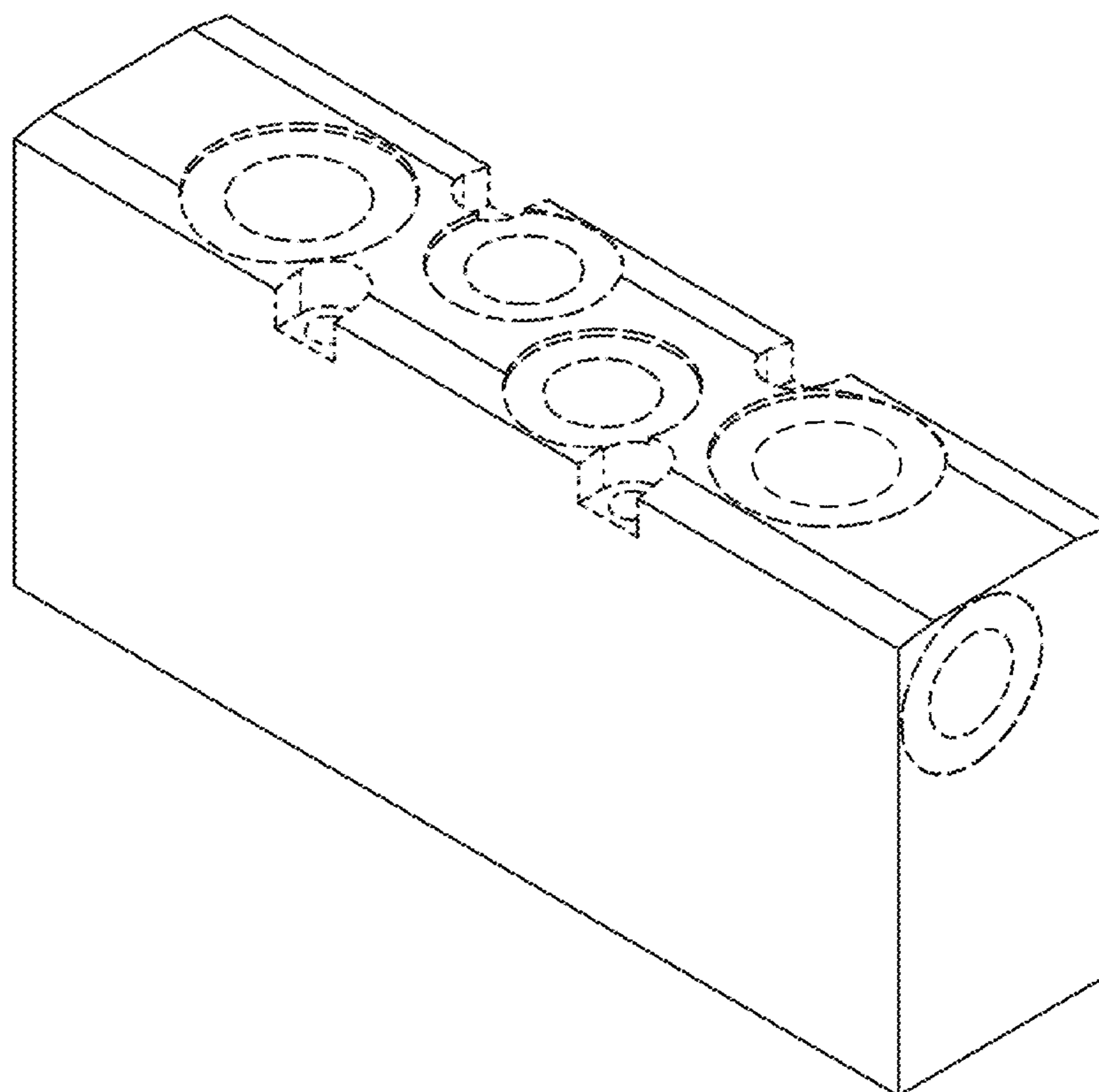
FIG. 4 is a rear view thereof;

FIG. 5 is a first side view thereof, where a second side view is the same and is thus omitted; and,

FIG. 6 is a top view thereof.

The broken (dashed) lines shown in the figures are included for the purpose of illustrating portions of the valve manifold and form no part of the claimed design.

**1 Claim, 6 Drawing Sheets**



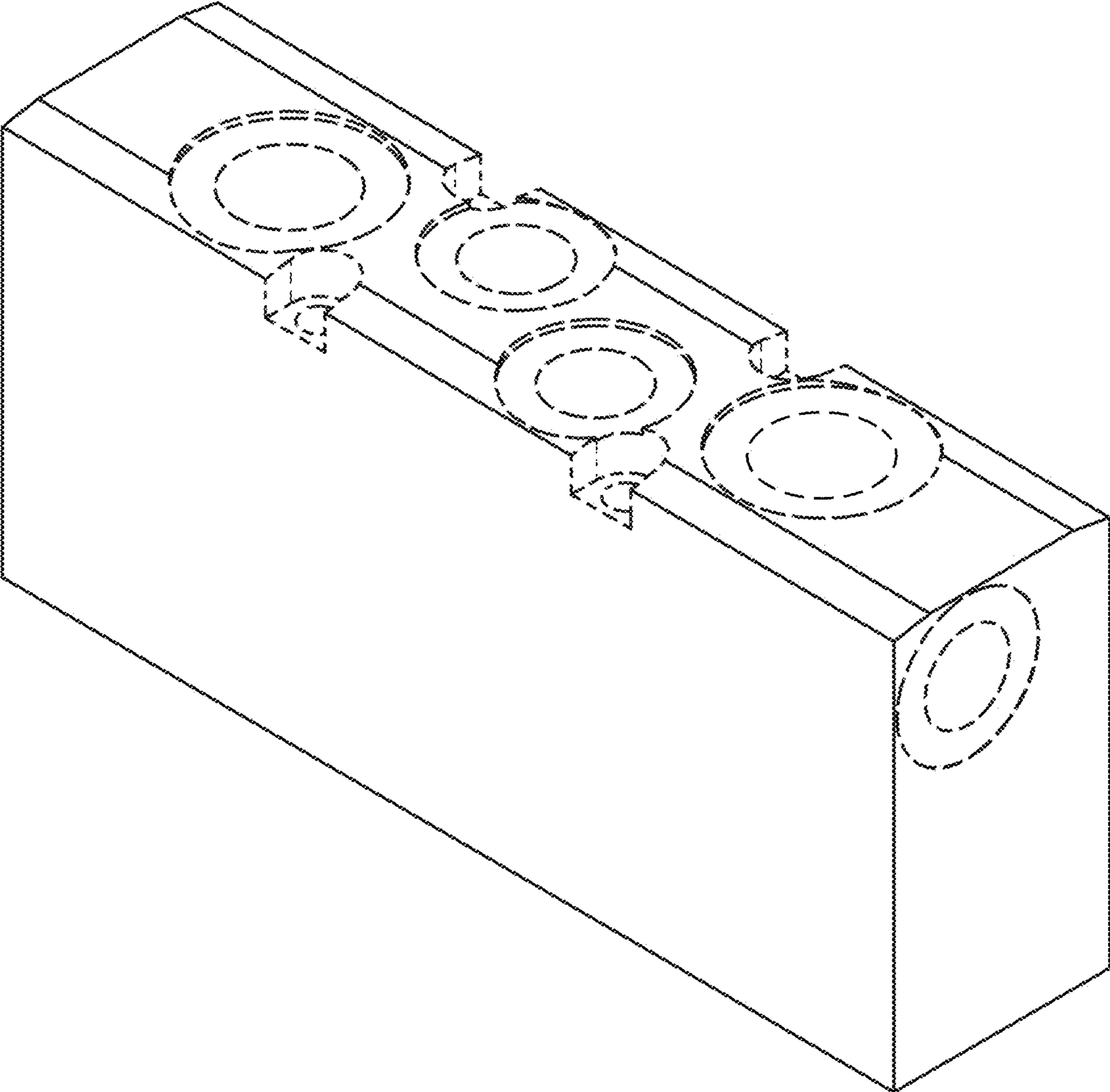


FIG. 1



FIG. 2

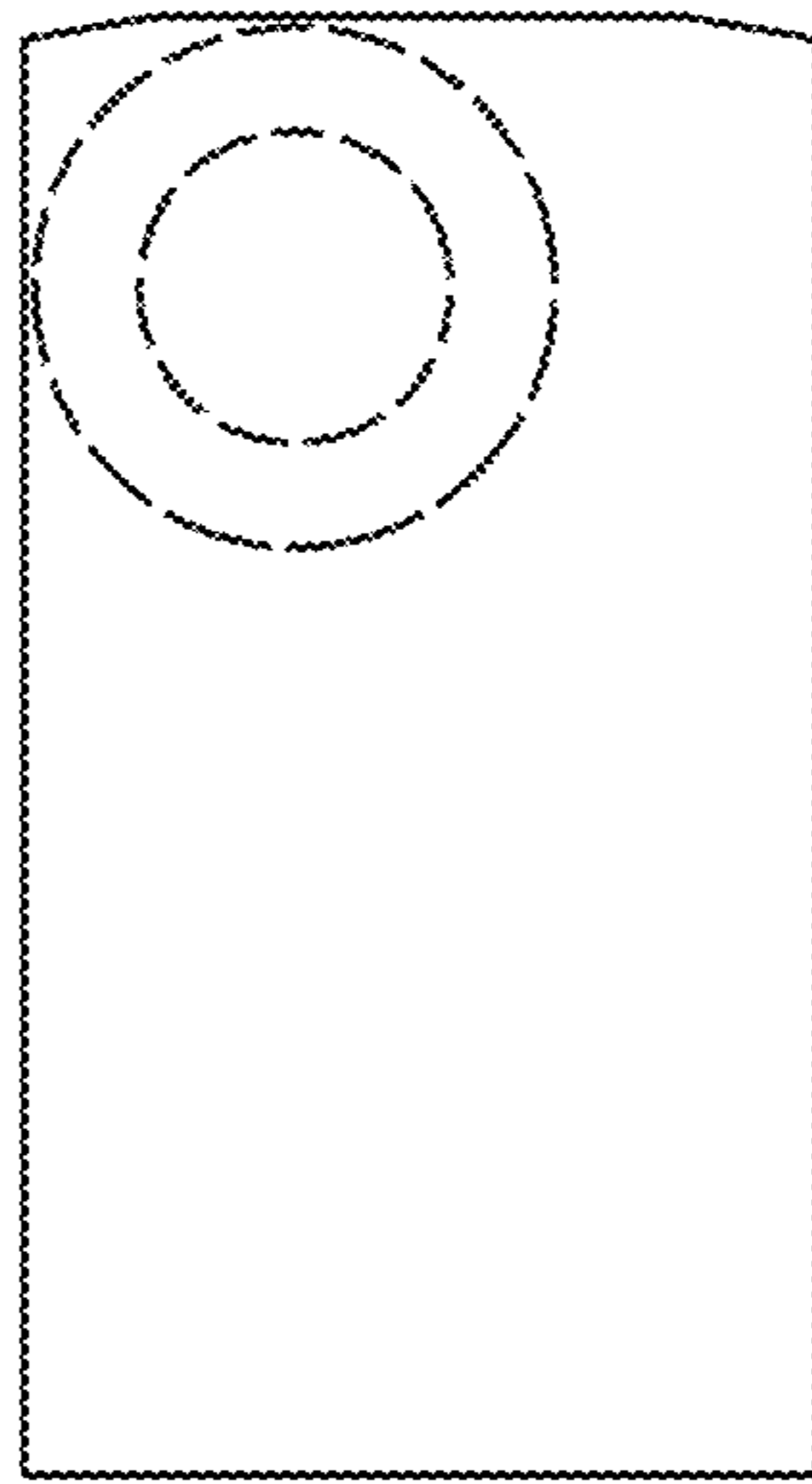


FIG. 3

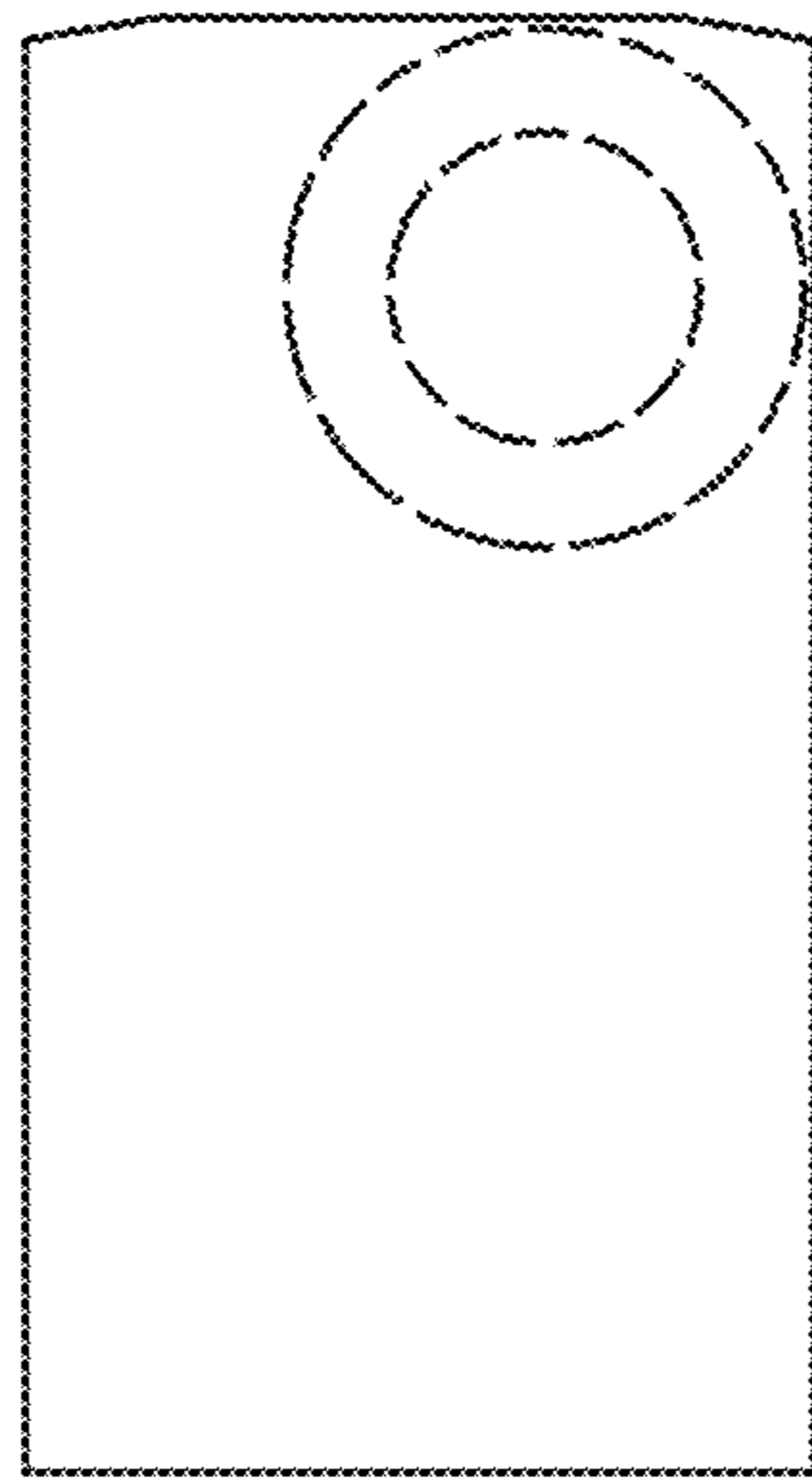


FIG. 4

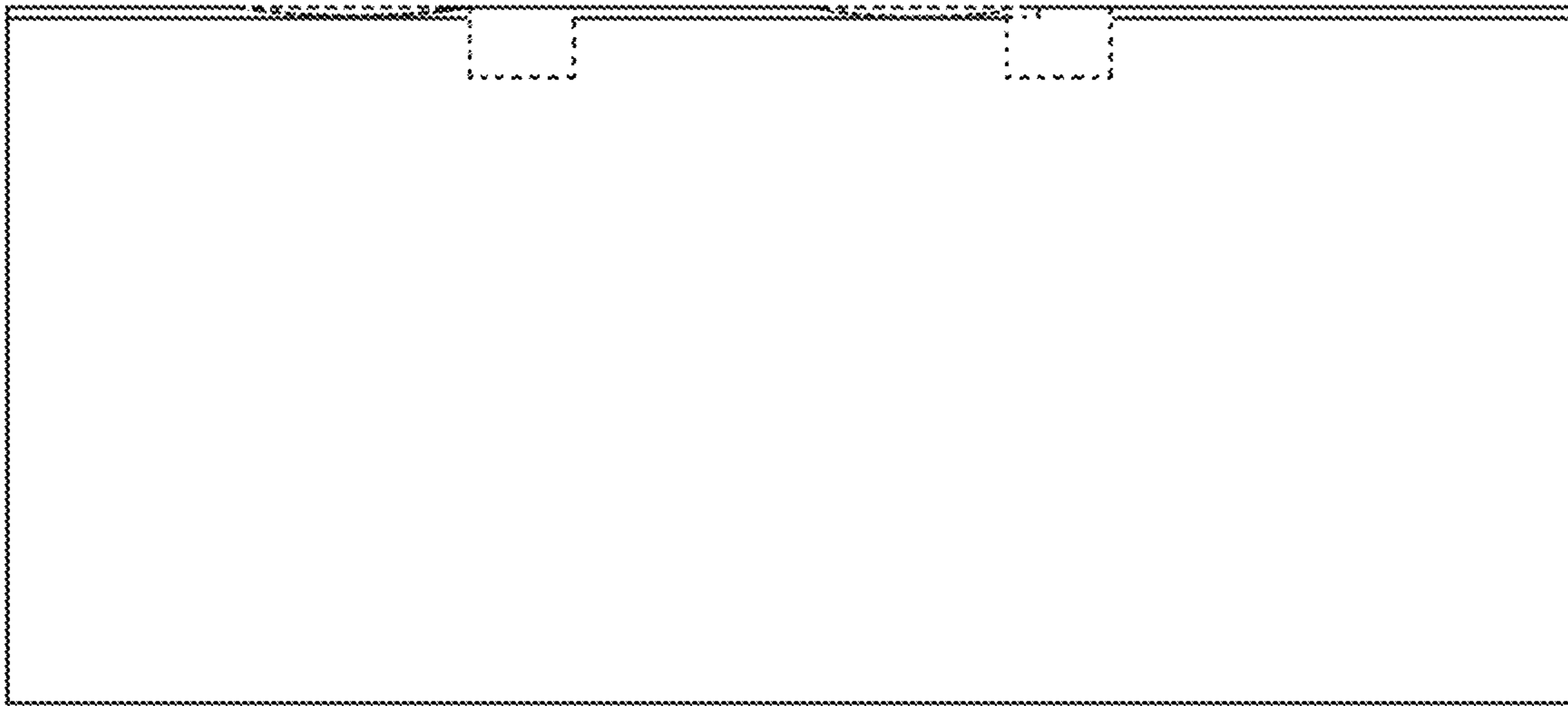


FIG. 5

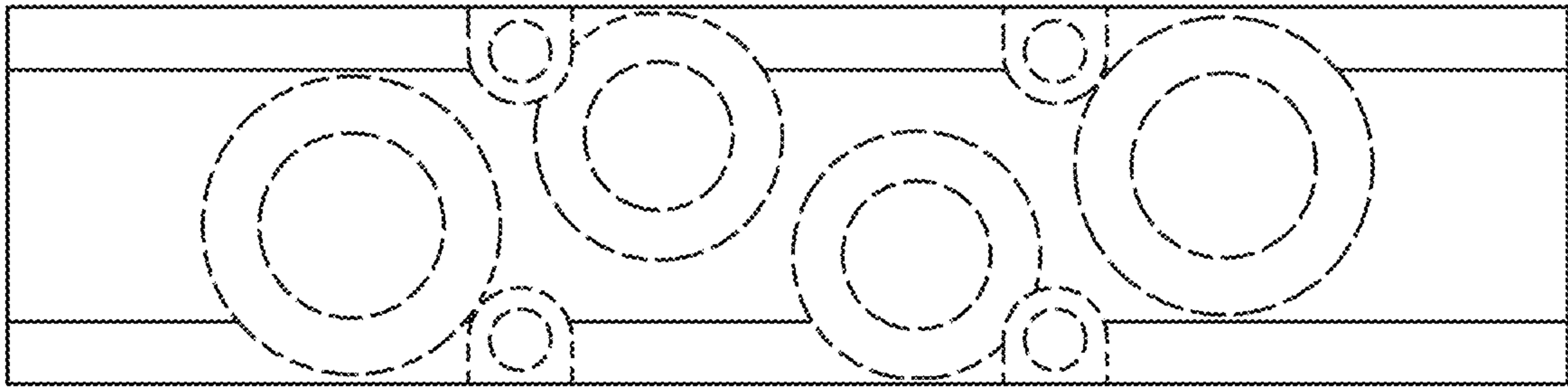


FIG. 6