



US00D912768S

(12) **United States Design Patent**
Kroon

(10) **Patent No.:** **US D912,768 S**
(45) **Date of Patent:** **** Mar. 9, 2021**

(54) **TANK FOR AGRICULTURAL SPRAYING MACHINES**

(71) Applicant: **Kverneland Group Nieuw-Vennep B.V., Nieuw Vennep (NL)**

(72) Inventor: **Bastian Kroon, Weteringbrug (NL)**

(**) Term: **15 Years**

(21) Appl. No.: **35/507,121**

(22) Filed: **Feb. 11, 2019**

(80) **Hague Agreement Data**

Int. Filing Date: **Feb. 11, 2019**

Int. Reg. No.: **DM/202013**

Int. Reg. Date: **Feb. 11, 2019**

Int. Reg. Pub. Date: **Jul. 26, 2019**

(30) **Foreign Application Priority Data**

Aug. 24, 2018 (EM) 005619814

(51) **LOC (13) Cl.** **23-01**

(52) **U.S. Cl.**

USPC **D23/225**

CPC **B05B 11/06 (2013.01)**

(58) **Field of Classification Search**

USPC D23/202, 213–221; D15/10, 13;
239/310, 373, 337, 332–333, 152–154;
220/565, 562

CPC B05B 7/2464; B05B 11/06; B05B 9/08;
B05B 7/2408; B65D 83/20

See application file for complete search history.

(56) **References Cited**

U.S. PATENT DOCUMENTS

2,201,080 A * 5/1940 Clark B60S 3/044
239/345

D243,690 S * 3/1977 Doyel D23/225

D258,380 S * 2/1981 Briar D23/225

D270,856 S * 10/1983 Peets D12/317
4,413,683 A * 11/1983 Hune A62C 3/00
137/382
D292,133 S * 9/1987 Proctor D15/13
4,925,105 A * 5/1990 Lin B05B 9/0861
222/175
4,993,457 A * 2/1991 Berfield A47L 15/4418
137/15.08
D347,879 S * 6/1994 Ali D23/225
D352,146 S * 11/1994 Wulff D32/24
D547,014 S * 7/2007 Chen D32/15
D563,503 S * 3/2008 Monk D23/225
7,854,398 B2 * 12/2010 Hahn B08B 3/026
239/444
8,425,203 B2 * 4/2013 Gardner B08B 3/026
417/234
8,444,068 B2 * 5/2013 Hahn B05B 9/0426
239/450
D729,469 S * 5/2015 Dammkoehler D32/15
D737,646 S * 9/2015 Tinius D8/65
D755,033 S * 5/2016 Zhou D8/65
D763,051 S * 8/2016 Tinius D8/65
D790,303 S * 6/2017 Tinius D8/65
D809,100 S * 1/2018 Hong D23/225

(Continued)

Primary Examiner — Richard E Chilcot

(57) **CLAIM**

The ornamental design for tank for agricultural spraying machines, as shown and described.

DESCRIPTION

1. Tank for agricultural spraying machines

1.1 : Perspective

1.2 : Perspective

1.3 : Left

1.4 : Right

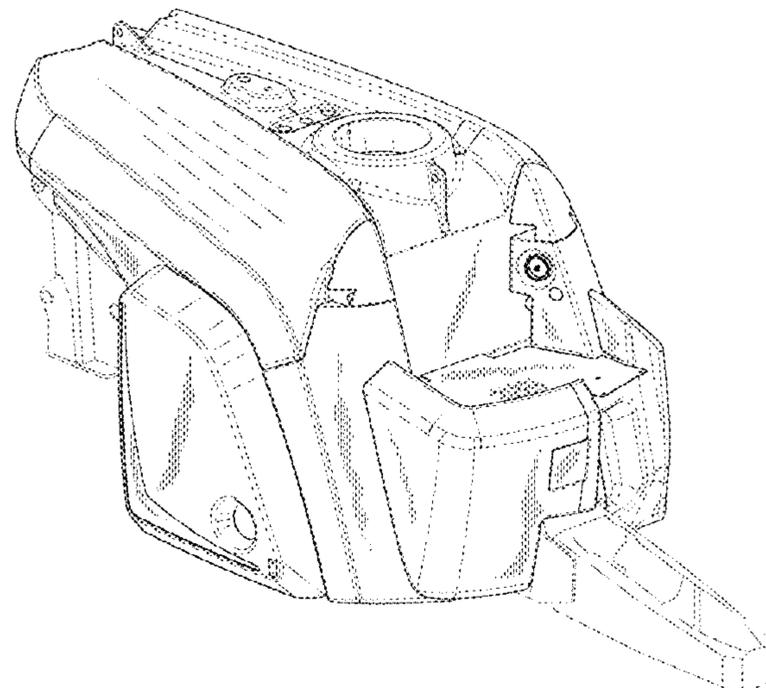
1.5 : Front

1.6 : Back

1.7 : Top

The broken lines are included for the purpose of illustrating environmental structure and form no part of the claimed design.

1 Claim, 7 Drawing Sheets



(56)

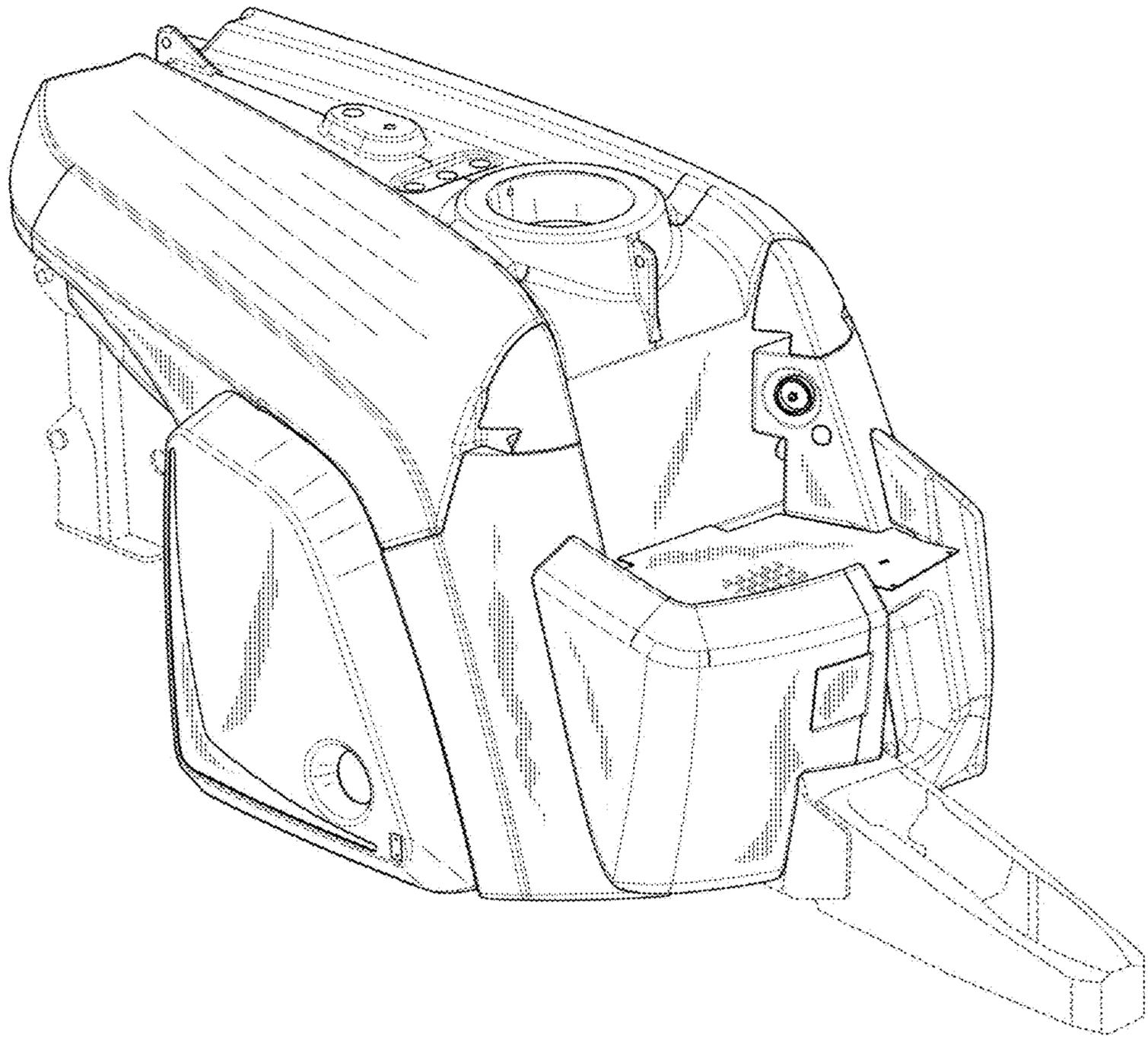
References Cited

U.S. PATENT DOCUMENTS

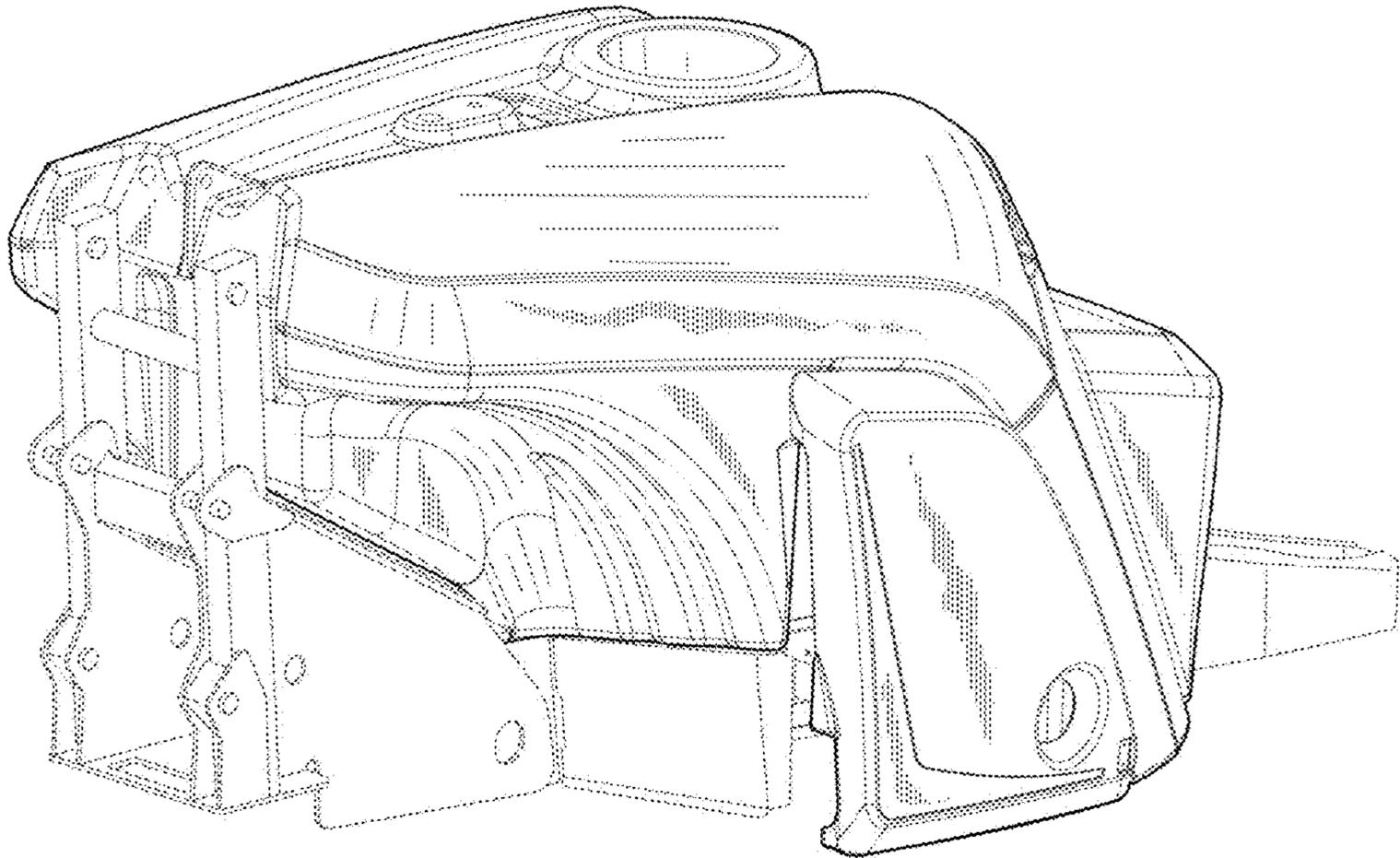
D826,021 S * 8/2018 Tinius D8/65
D882,364 S * 4/2020 Lau D8/65

* cited by examiner

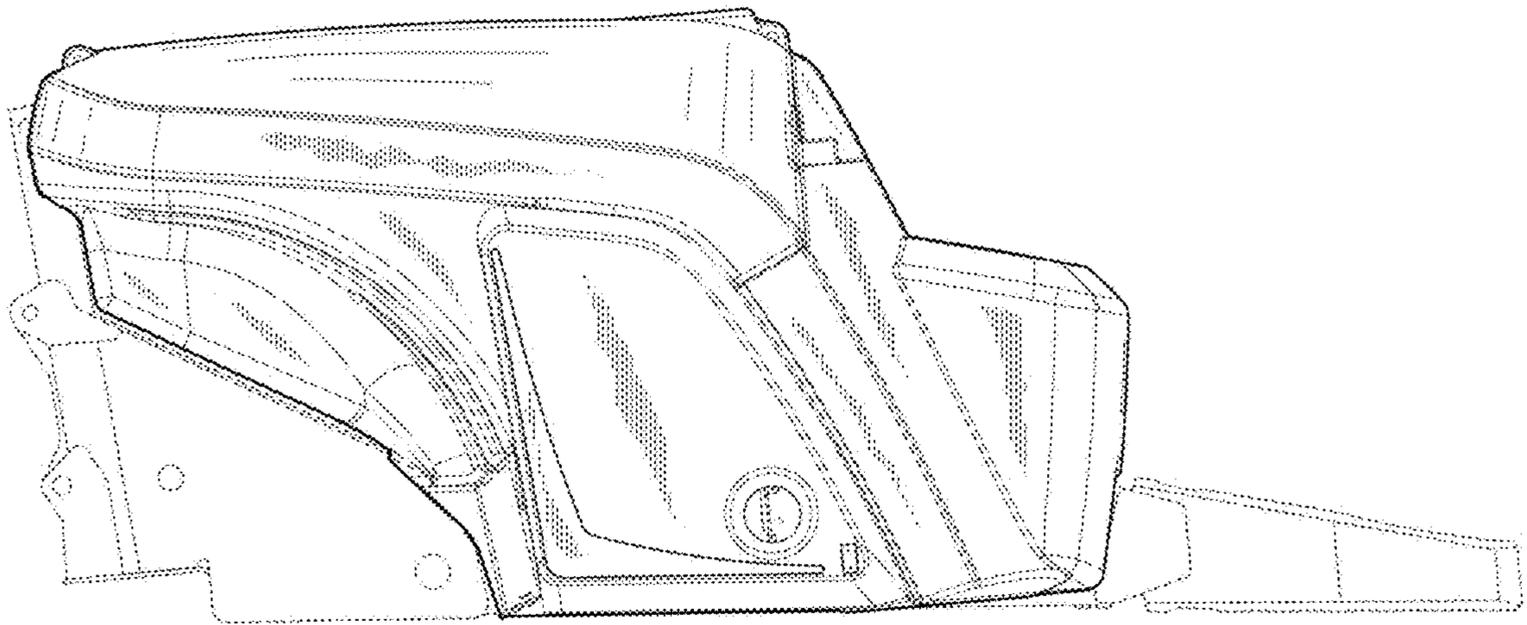
1.1



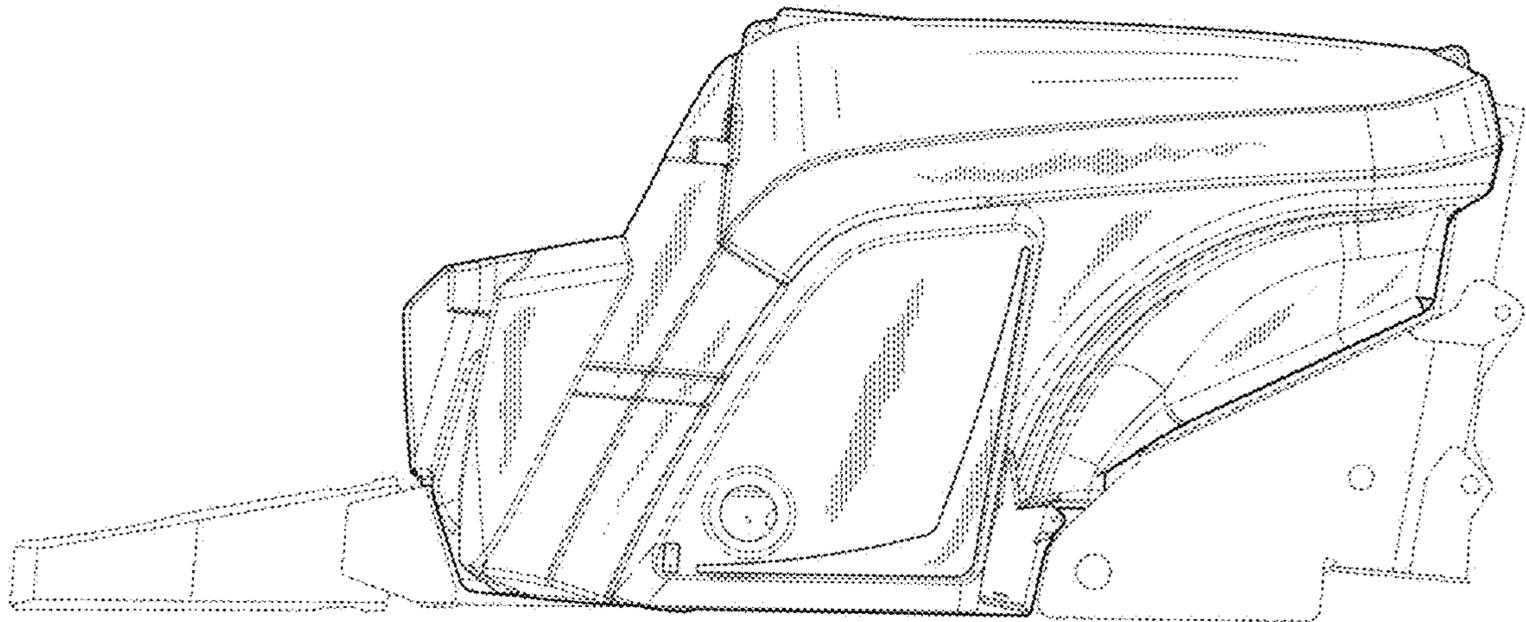
1.2



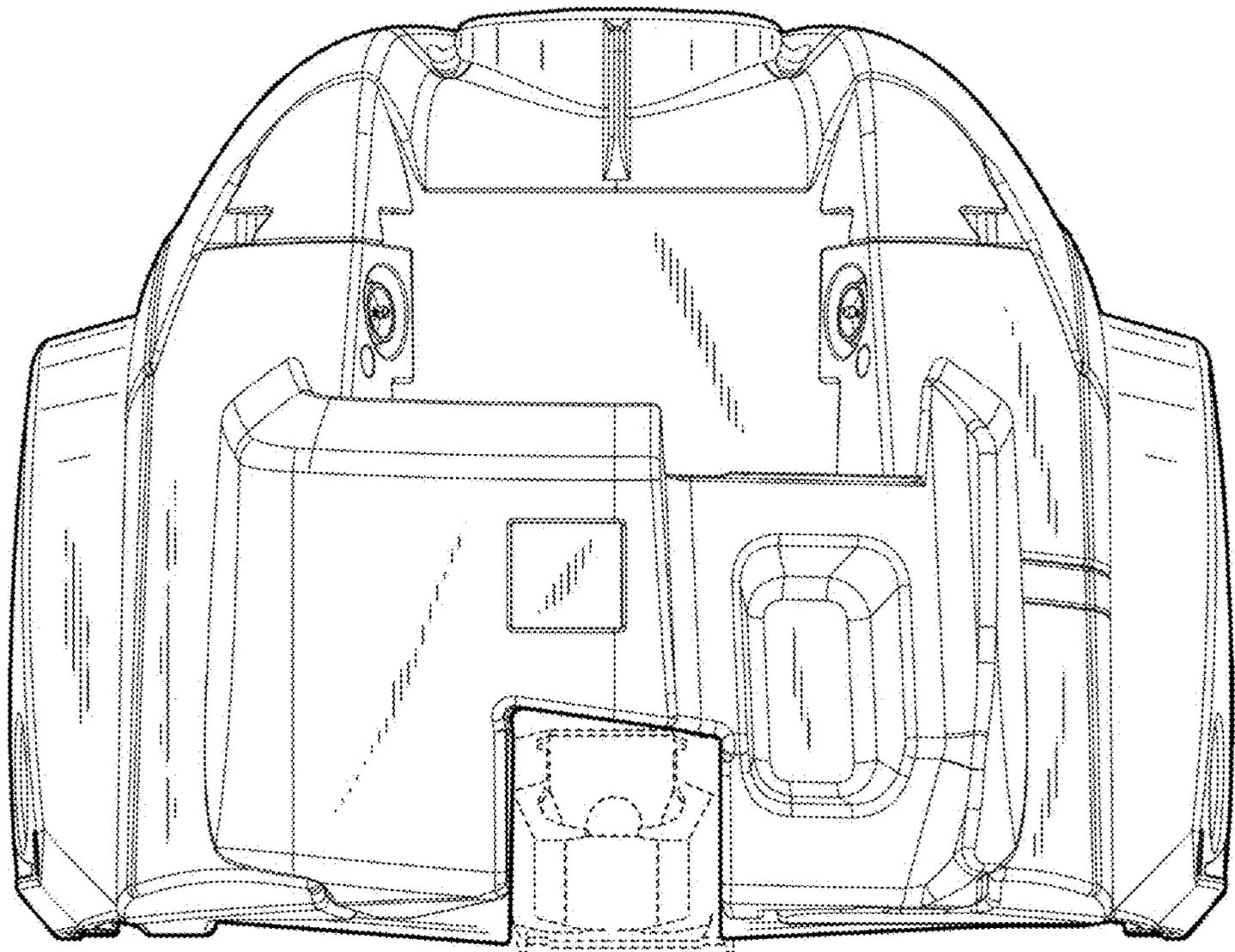
1.3



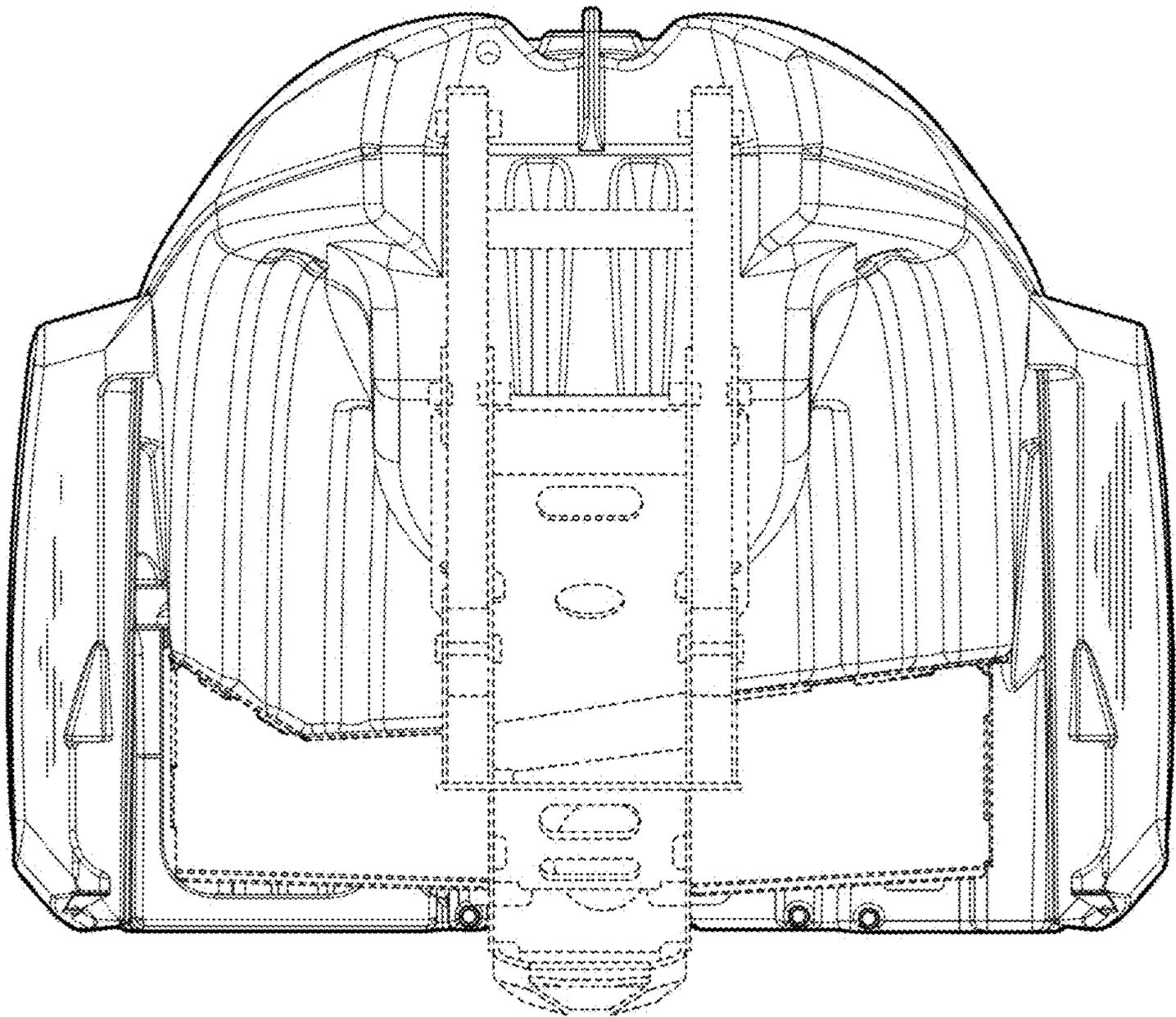
1.4



1.5



1.6



1.7

