



US00D912766S

(12) **United States Design Patent** (10) **Patent No.:** **US D912,766 S**  
**Tu** (45) **Date of Patent:** **\*\* Mar. 9, 2021**

(54) **FILTER FOR PET WATER FOUNTAIN**

FOREIGN PATENT DOCUMENTS

(71) Applicant: **Zhushi Tu**, Hubei (CN)

CN 304875774 \* 3/2018  
CN 304875780 \* 4/2018

(72) Inventor: **Zhushi Tu**, Hubei (CN)

(\*\*) Term: **15 Years**

(21) Appl. No.: **29/761,351**

(22) Filed: **Dec. 8, 2020**

OTHER PUBLICATIONS

Parner Pet Fountain Filter, announced Feb. 19, 2019[online], [site visited Jan. 6, 2020]. Available from internet, URL:< https://www.amazon.com/Parner-Fountain-Filters-Replacement-Fountain-8/dp/B07P468PKG> (Year: 2019).\*

PK.ZRTopia fountain filter, announced Jul. 11, 2019[online], [site visited Jan. 6, 2020]. Available from internet, URL:< https://www.amazon.com/PK-ZTopia-Fountain-Replacement-Automatic-Dispenser/dp/B07V3PQ31R> (Year: 2019).\*

**Related U.S. Application Data**

(63) Continuation-in-part of application No. 29/687,290, filed on Apr. 11, 2019.

(51) **LOC (13) Cl.** ..... **23-01**

(52) **U.S. Cl.**  
USPC ..... **D23/209**

(58) **Field of Classification Search**  
USPC ..... D23/207, 209, 365; D3/313; D15/390  
CPC ... B65D 1/34; B65D 1/36; B65D 1/04; A47G 19/02

See application file for complete search history.

\* cited by examiner

*Primary Examiner* — Barbara Fox

*Assistant Examiner* — Jamaal Rasheed

(56) **References Cited**

U.S. PATENT DOCUMENTS

- 3,191,796 A \* 6/1965 Schwartz ..... B65D 21/045  
220/23.6
- D321,074 S \* 10/1991 Eby ..... D3/313
- D360,111 S \* 7/1995 Kearney ..... D7/553.5
- D417,785 S \* 12/1999 Daniels ..... D3/313
- D591,174 S \* 4/2009 Larson ..... D9/425
- D716,430 S \* 10/2014 Carter ..... B01D 46/002  
D23/365
- D882,648 S \* 4/2020 Peng ..... D15/90
- 2007/0277679 A1 \* 12/2007 Okada ..... A47G 19/025  
99/448
- 2009/0092738 A1 \* 4/2009 Shew ..... A47G 23/06  
426/665
- 2009/0186132 A1 \* 7/2009 Mangino ..... B65D 1/36  
426/120
- 2017/0079451 A1 \* 3/2017 Wansink ..... B65B 25/00

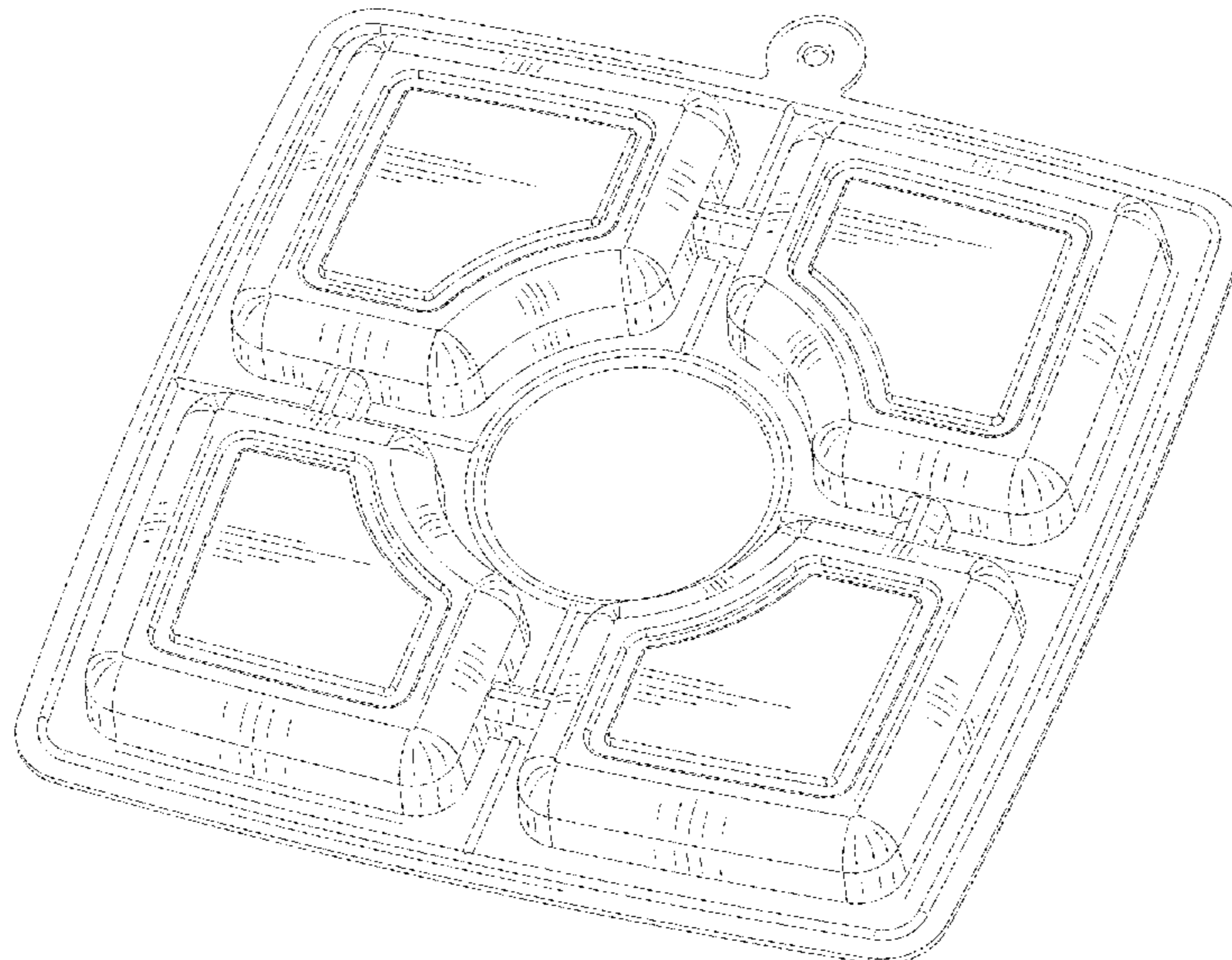
(57) **CLAIM**

The ornamental design for a filter for pet water fountain, as shown and described.

**DESCRIPTION**

FIG. 1 is a front elevational view of a filter for pet water fountain showing my new design; FIG. 2 is a rear elevational view thereof; FIG. 3 is a left side view thereof; FIG. 4 is a right side view thereof; FIG. 5 is a top plan view thereof; FIG. 6 is a bottom plan view thereof; and FIG. 7 is a bottom, front and right side perspective view thereof; and, FIG. 8 is a rear perspective view thereof.

**1 Claim, 8 Drawing Sheets**



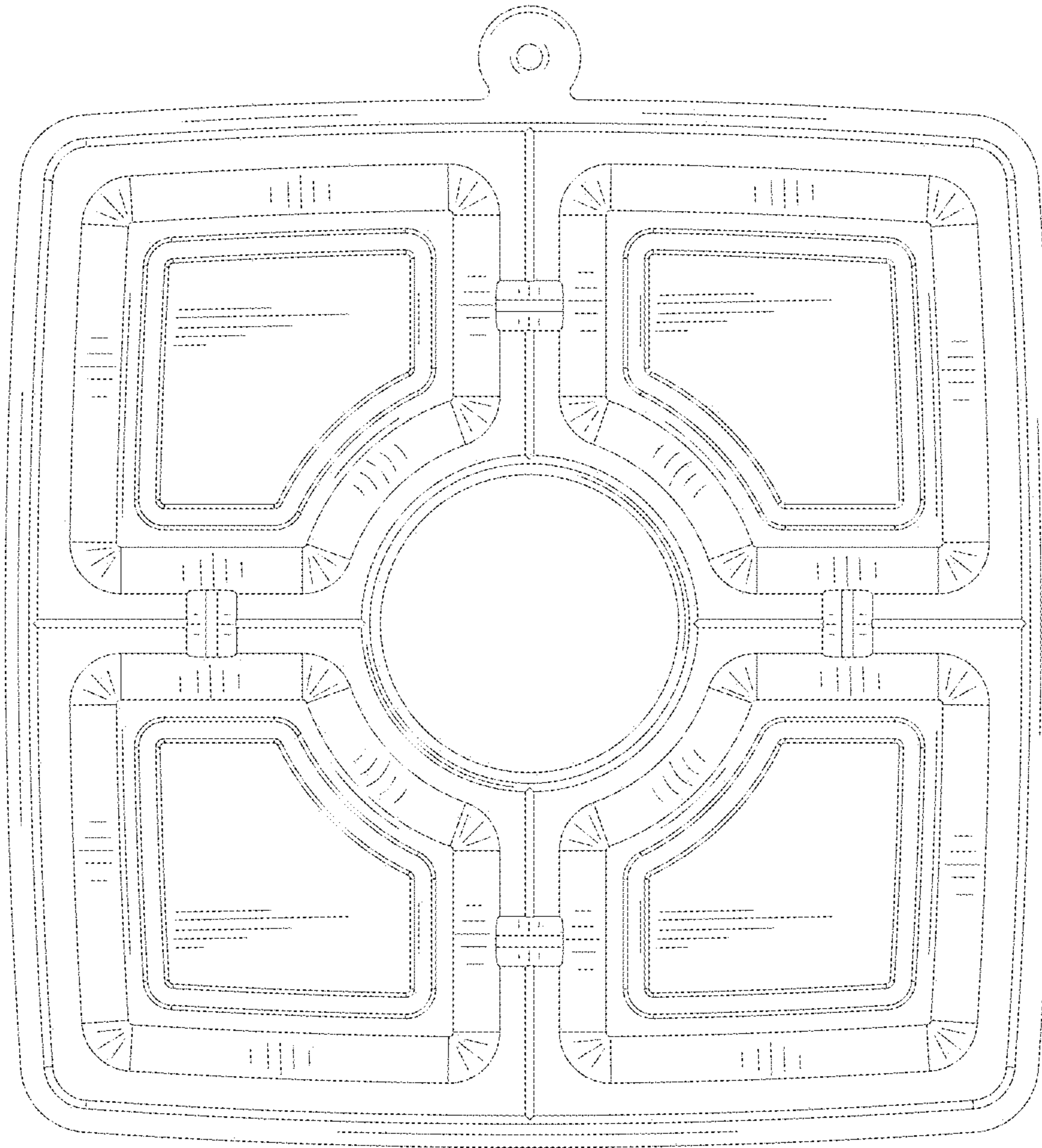


Fig.1

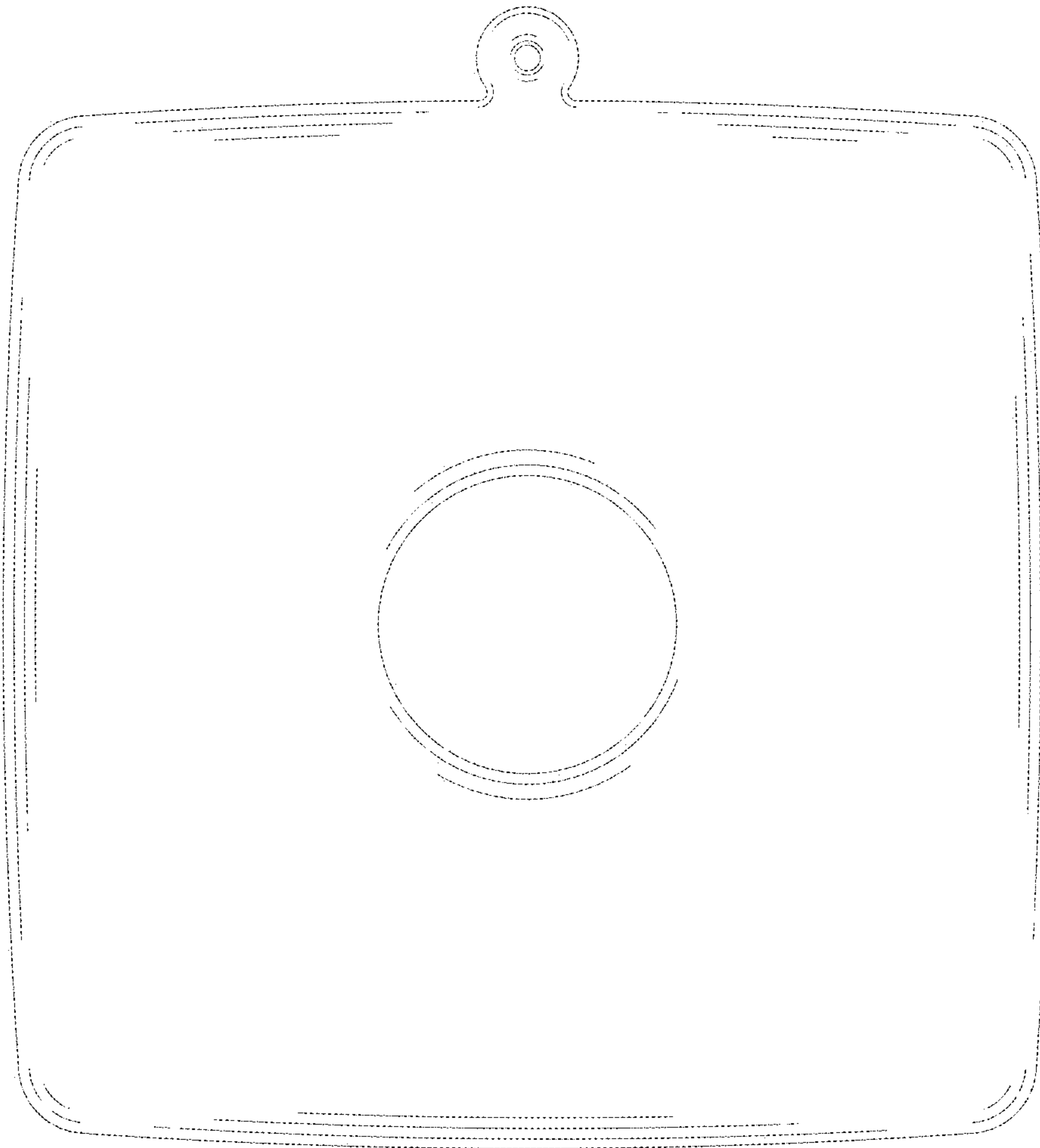


Fig.2

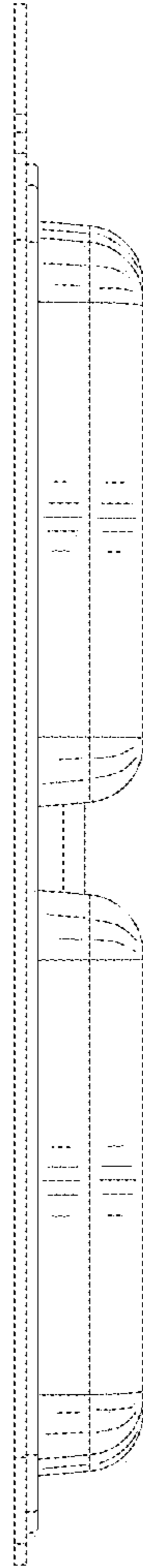


Fig.3

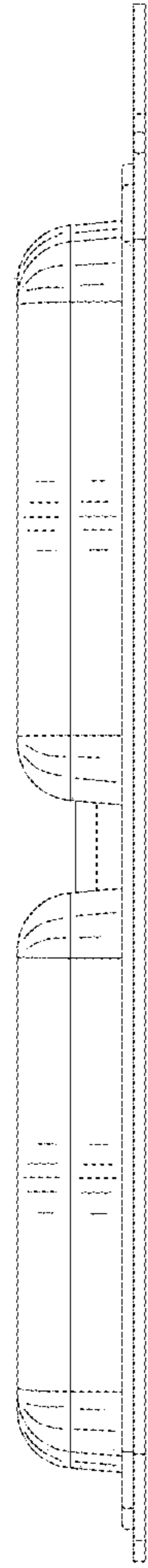


Fig.4

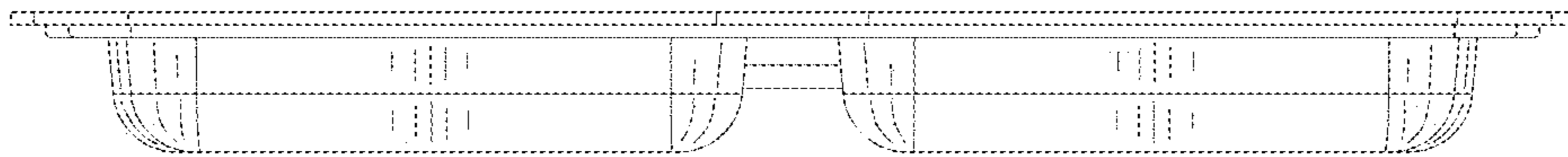


Fig.5

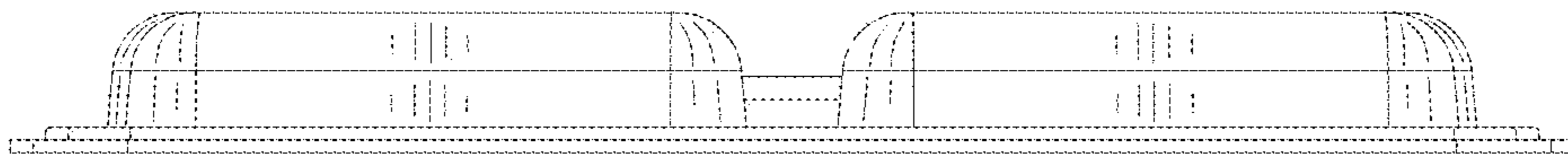


Fig.6

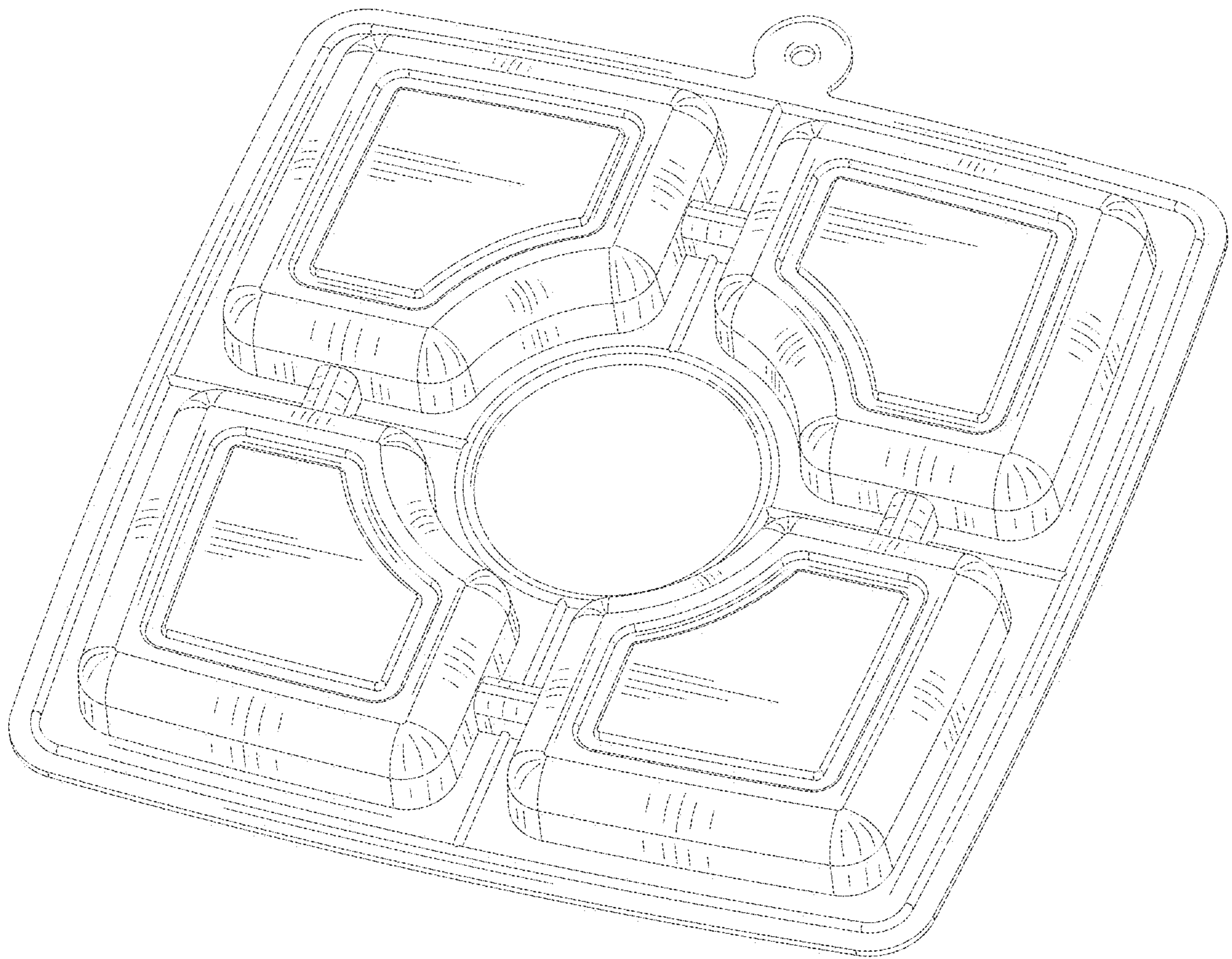


Fig.7



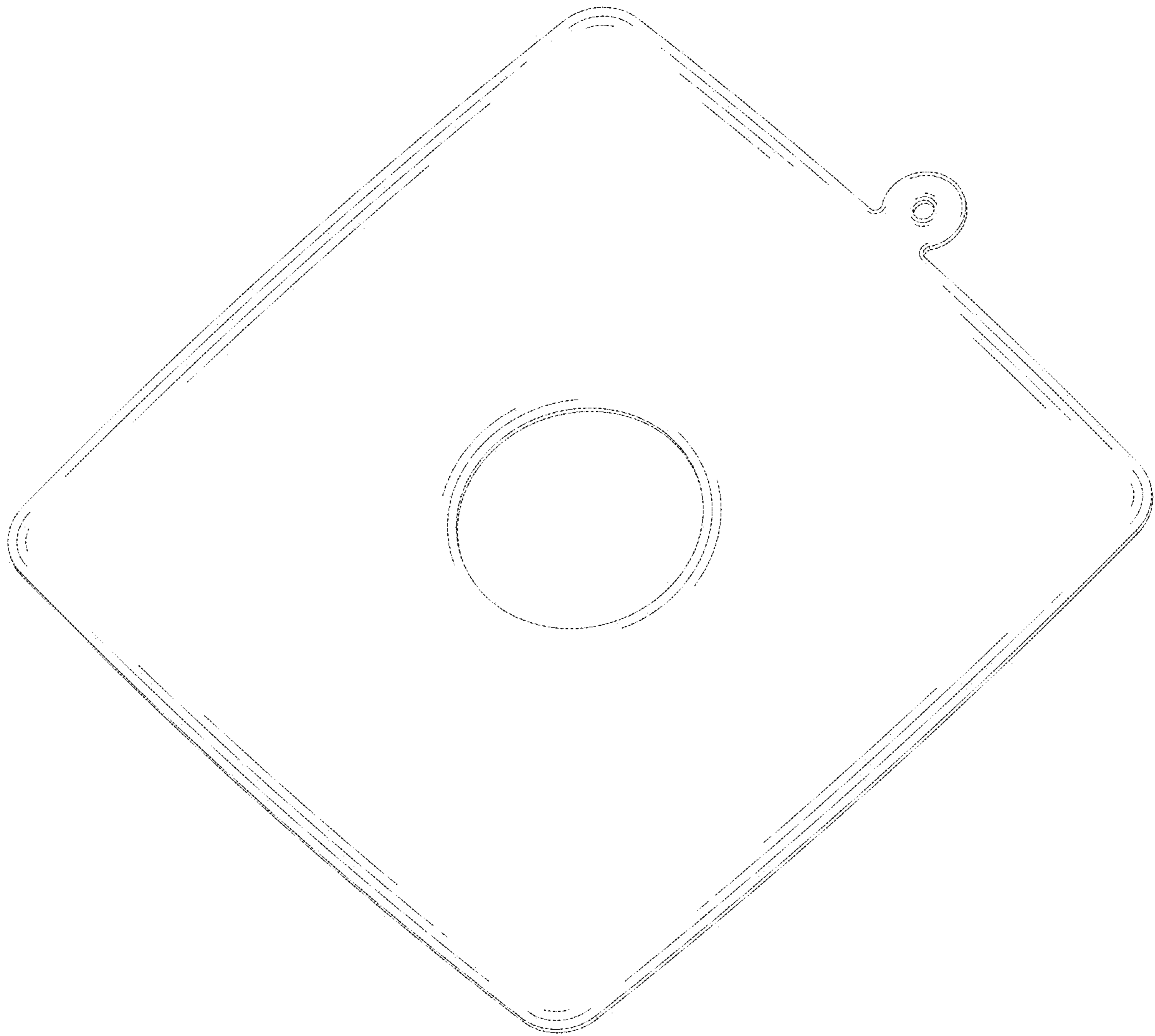


Fig.8