



US00D912765S

(12) **United States Design Patent** (10) **Patent No.:** **US D912,765 S**  
**Natale et al.** (45) **Date of Patent:** **\*\* Mar. 9, 2021**

(54) **RETENTATE PLATE**

FOREIGN PATENT DOCUMENTS

(71) Applicant: **EMD Millipore Corporation**,  
Burlington, MA (US)

IN 272825-0001 \* 6/2015  
IN 272826-0001 \* 6/2015

(Continued)

(72) Inventors: **Matthew Natale**, Tewksbury, MA (US);  
**Brian Hillier**, Lowell, MA (US)

OTHER PUBLICATIONS

(73) Assignee: **EMD Millipore Corporation**,  
Burlington, MA (US)

Pellicon, announced Date unavailable[online], [site visited Jan. 11, 2021]. Available from internet, URL:<https://www.emdmillipore.com/US/en/product/Pellicon-Single-Pass-TFF-Cassette-Retentate-Collection-Plate,MM\_NF-XXSPTFF03> (Year: 2020).\*

(\*\*) Term: **15 Years**

(Continued)

(21) Appl. No.: **29/693,644**

(22) Filed: **Jun. 4, 2019**

*Primary Examiner* — Barbara Fox

*Assistant Examiner* — Jamaal Rasheed

(74) *Attorney, Agent, or Firm* — EMD Millipore Corporation

**Related U.S. Application Data**

(62) Division of application No. 29/633,223, filed on Jan. 12, 2018, now Pat. No. Des. 857,839, which is a division of application No. 29/569,589, filed on Jun. 29, 2016, now Pat. No. Des. 811,519, which is a division of application No. 29/512,353, filed on Dec. 18, 2014, now Pat. No. Des. 761,381.

(57) **CLAIM**

The ornamental design for a retentate plate, as shown and described.

(51) **LOC (13) Cl.** ..... **23-01**

(52) **U.S. Cl.**  
USPC ..... **D23/209**

(58) **Field of Classification Search**  
USPC ..... D23/207–210; 210/224, 230–231  
CPC ..... B01D 25/16; B01D 25/21; B01D 65/00  
See application file for complete search history.

**DESCRIPTION**

FIG. 1 is a front view of the retentate plate in an aspect of the present invention.

FIG. 2 is a rear view thereof.

FIG. 3 is a top view thereof. The bottom view on the opposite side thereof is a mirror image of the top view.

FIG. 4 is a right side view thereof.

FIG. 5 is a left side view thereof.

FIG. 6 is a front upper side perspective view thereof; and, FIG. 7 is a rear lower side perspective view thereof.

The view labels used herein to denote front, back, top, bottom and side views are for convenience only and should not be interpreted as limiting the orientation of the retentate plate.

The broken lines in the drawings depict portions of the retentate plate that form no part of the claimed design.

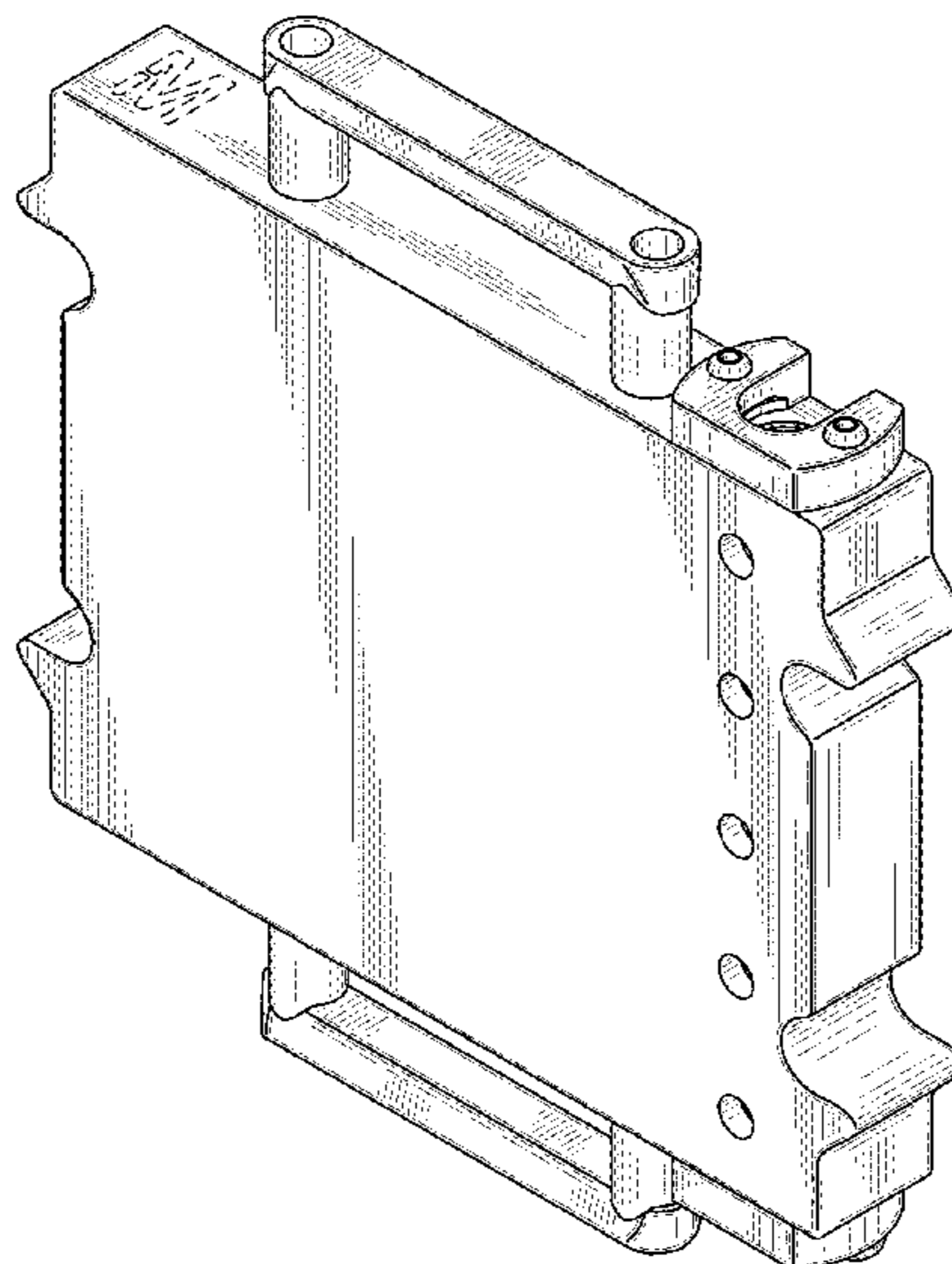
(56) **References Cited**

U.S. PATENT DOCUMENTS

3,540,595 A 11/1970 Edwards  
3,926,811 A \* 12/1975 Ramsteck ..... B01D 25/215  
210/231  
3,931,014 A \* 1/1976 Heimbach ..... B01D 25/215  
210/231  
4,956,085 A 9/1990 Kopf

(Continued)

**1 Claim, 5 Drawing Sheets**



(56)

References Cited

U.S. PATENT DOCUMENTS

D325,070 S 3/1992 Kopf  
D327,313 S 6/1992 Kopf  
5,147,542 A 9/1992 Proulx  
D357,059 S 4/1995 Kopf  
5,599,447 A 2/1997 Pearl et al.  
7,959,805 B2 6/2011 Chisolm et al.  
D651,280 S 12/2011 Okawa et al.  
D655,779 S \* 3/2012 Honda ..... D23/209  
D655,780 S \* 3/2012 Honda ..... D23/209  
8,506,802 B1 8/2013 de los Reyes  
D711,500 S \* 8/2014 Marchetti ..... D23/209  
D729,897 S 5/2015 Ledbetter et al.  
9,133,433 B2 9/2015 Vogel et al.  
D741,983 S \* 10/2015 Mueller ..... D23/209  
D761,381 S \* 7/2016 Natale ..... D23/209  
D762,811 S \* 8/2016 Natale ..... D23/209  
D811,519 S \* 2/2018 Natale ..... D23/209  
D857,839 S \* 8/2019 Natale ..... D23/209  
2005/0218057 A1 \* 10/2005 Ngee ..... B01D 25/164  
210/224  
2008/0087594 A1 \* 4/2008 Hermann ..... B01D 25/215  
210/230  
2008/0087595 A1 \* 4/2008 Hermann ..... B01D 25/215  
210/231

2008/0135500 A1 6/2008 Gagnon et al.  
2012/0168368 A1 7/2012 de los Reyes  
2018/0078903 A1 \* 3/2018 Hillier ..... B01D 65/003  
2020/0368646 A1 \* 11/2020 Salbaum ..... B01D 25/285

FOREIGN PATENT DOCUMENTS

KR 300646879.0001 \* 4/2011  
SG 30201501119W-0001 \* 6/2015  
SG 30201501120S-0001 \* 6/2015  
WO WO 2007/076496 7/2007

OTHER PUBLICATIONS

Van Reis, R. et al., "Linear Scale Ultrafiltration," *Biotechnology and Bioengineering*, 55(5): 737-746 (Sep. 1997).  
Notice of Allowance for U.S. Appl. No. 29/512,353, "Retentate Plate", dated Mar. 1, 2016.  
Notice of Allowance for U.S. Appl. No. 29/569,589, "Retentate Plate", dated Nov. 15, 2017.  
Notice of Allowance for U.S. Appl. No. 29/633,223, "Retentate Plate", dated Apr. 25, 2019.  
Notice of Allowance for U.S. Appl. No. 29/512,358, "Diverter Plate", dated Dec. 9, 2015.

\* cited by examiner

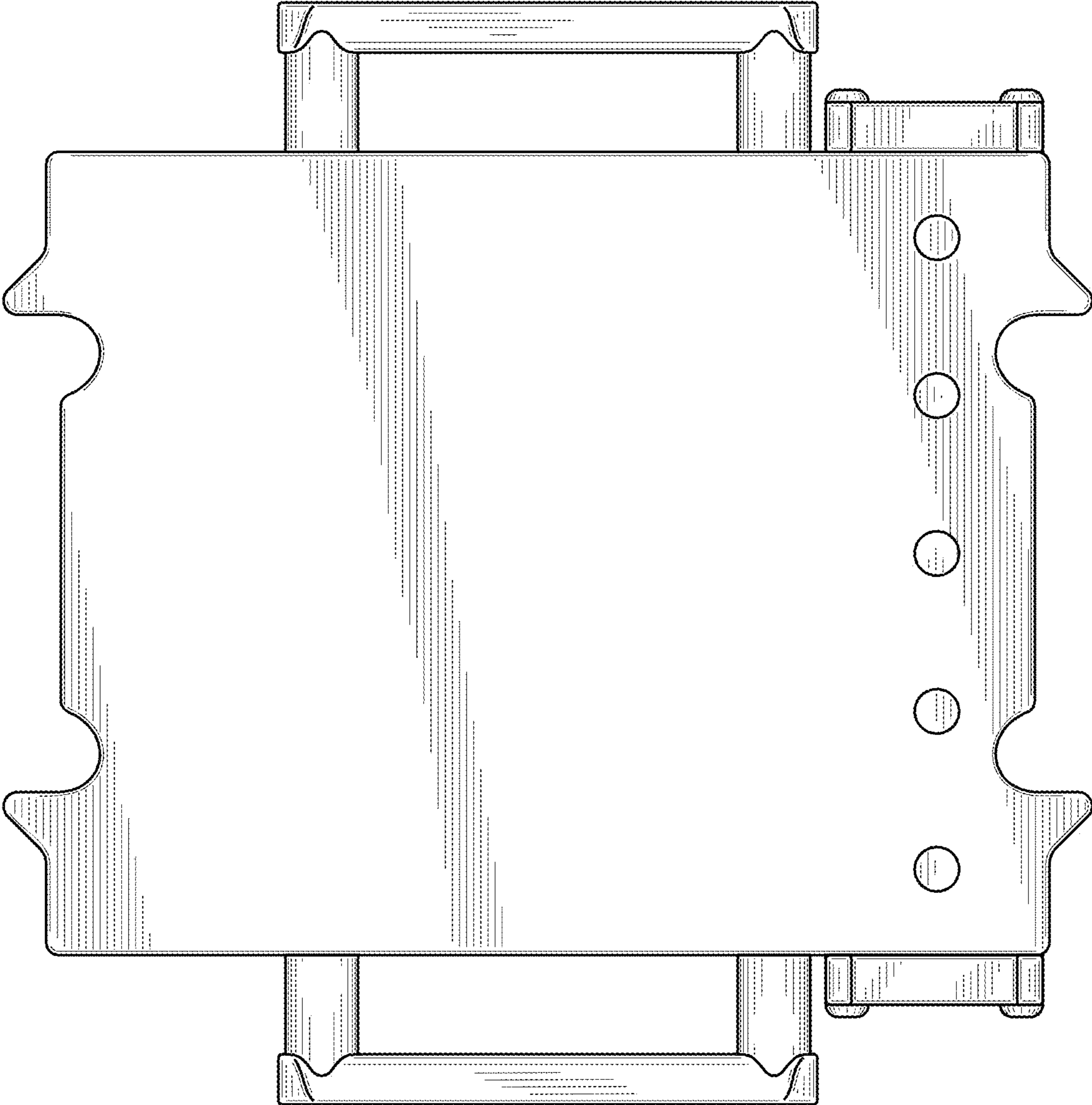


FIG. 1

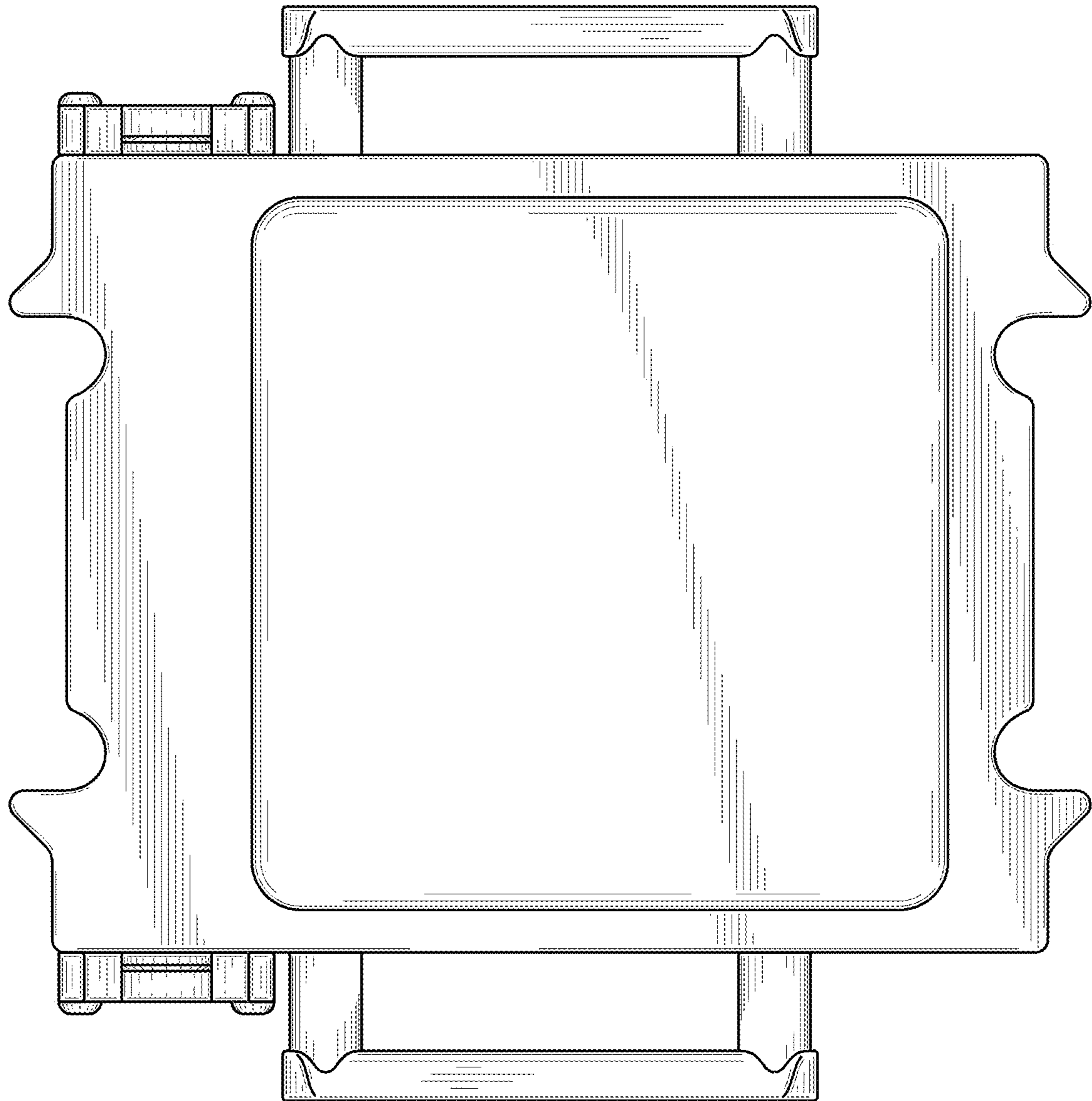


FIG. 2

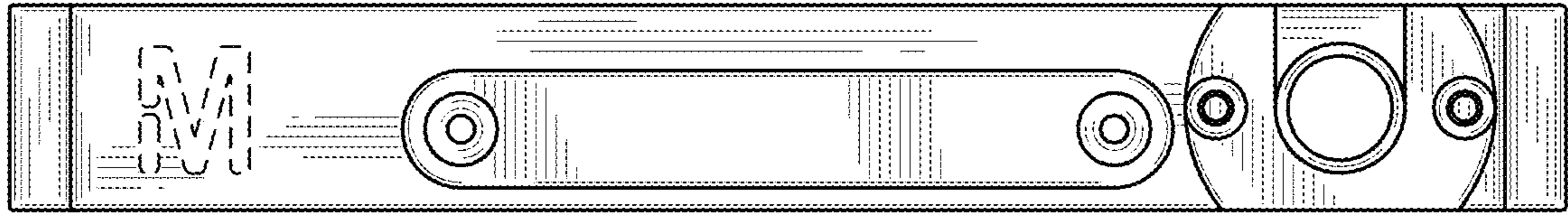


FIG. 3

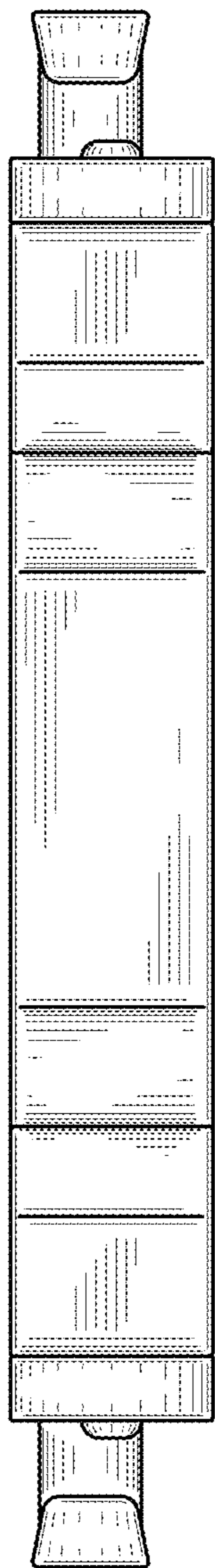


FIG. 4

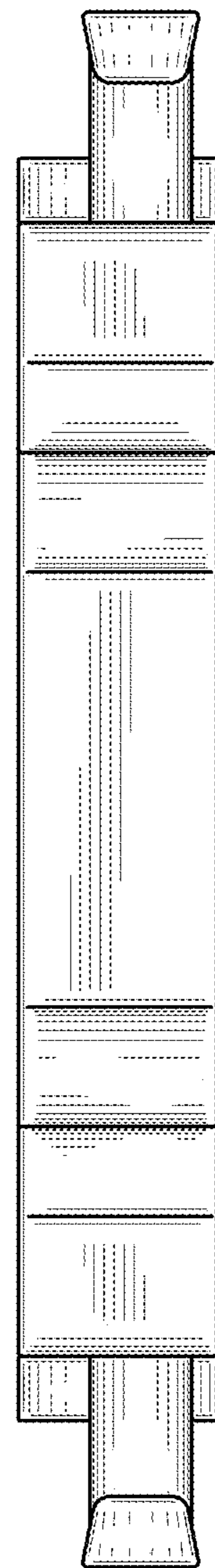


FIG. 5

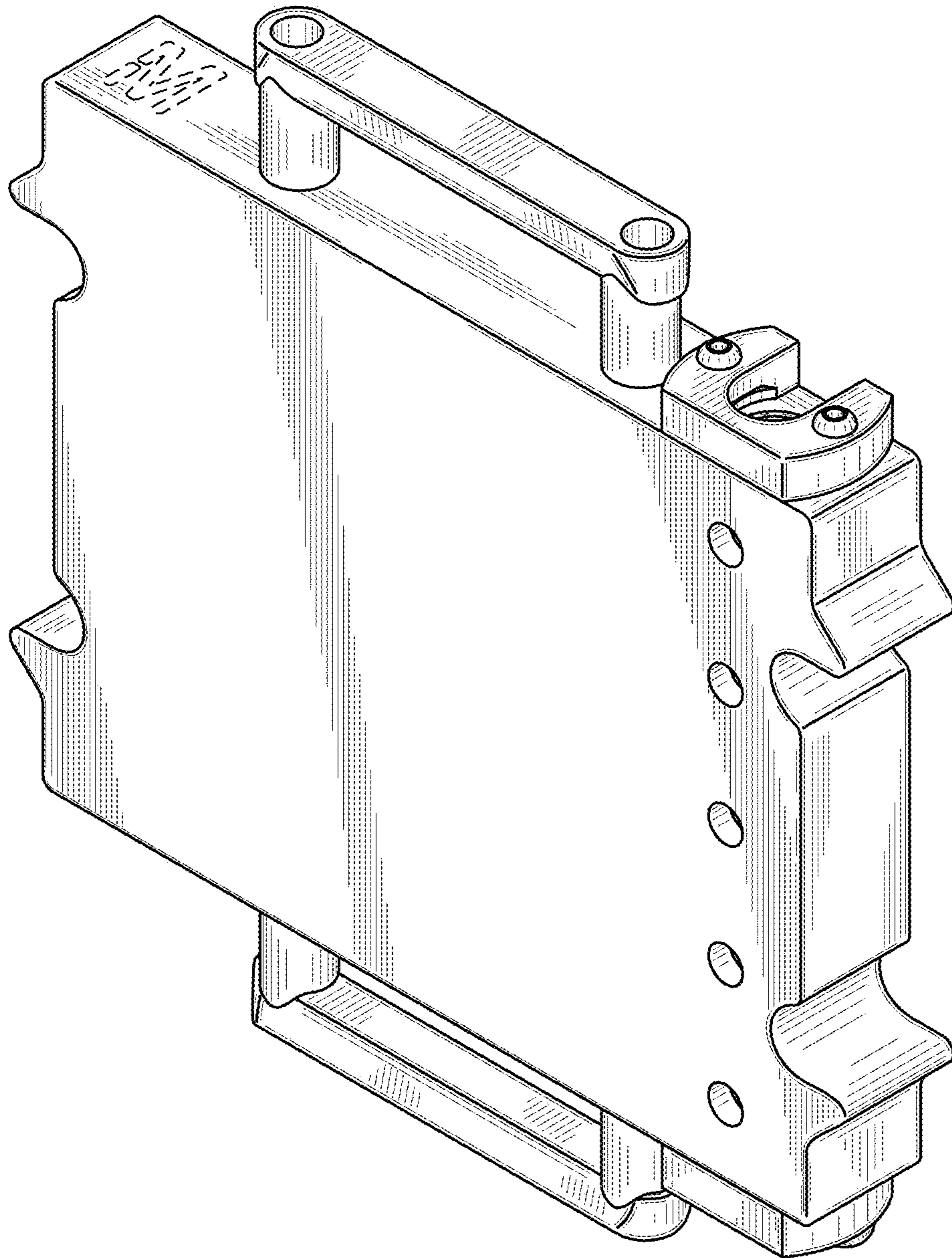


FIG. 6

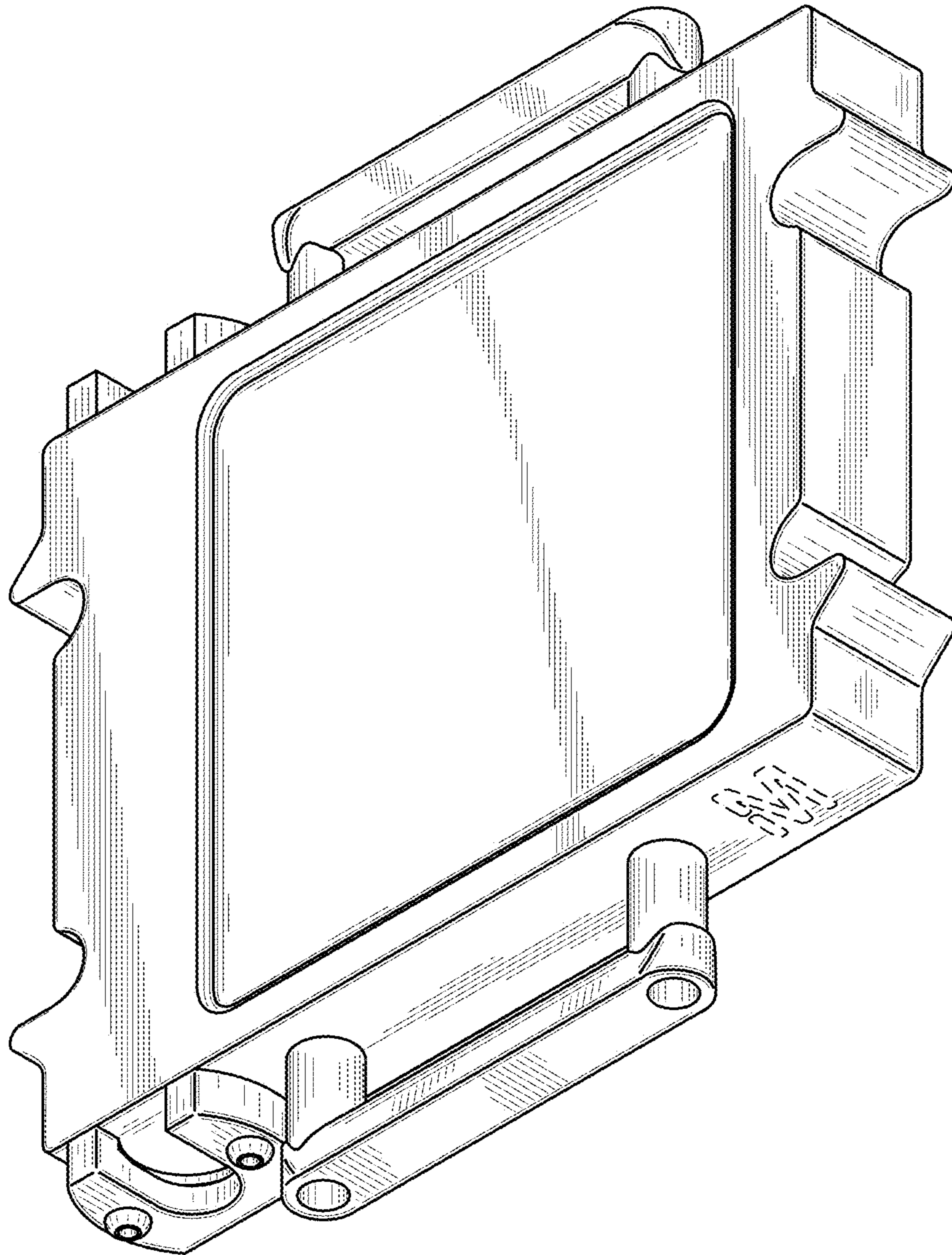


FIG. 7