



US00D912763S

(12) **United States Design Patent**  
**Huang**

(10) **Patent No.:** **US D912,763 S**  
(45) **Date of Patent:** **\*\* Mar. 9, 2021**

(54) **FILTER FOR PET FOUNTAIN**  
(71) Applicant: **Junzhou Huang**, Guangdong (CN)  
(72) Inventor: **Junzhou Huang**, Guangdong (CN)  
(\*\*) Term: **15 Years**  
(21) Appl. No.: **29/643,040**  
(22) Filed: **Apr. 3, 2018**

D717,395 S \* 11/2014 Neto ..... D23/209  
D720,844 S \* 1/2015 Wells ..... D24/101  
D762,833 S \* 8/2016 Ogg ..... D23/365  
D864,477 S \* 10/2019 Liu ..... D27/167

**OTHER PUBLICATIONS**

<https://www.moersky.net/Pet-Fountain-Cat-Water-Dispenser-Healthy-and-Hygienic-Drinking-Fountain-2L-Super-Quiet-Automatic-Water-Bowl-with-Filter-and-Silicone-Mat-for-Dogs-Cats-Birds-and-Small-Animals-Replacement-Filters-p879647.html> (Year: 2018).\*

\* cited by examiner

*Primary Examiner* — Jack Reickel  
*Assistant Examiner* — Keith J Wilson

(30) **Foreign Application Priority Data**  
Mar. 20, 2018 (CN) ..... 201830103598.6  
(51) **LOC (13) Cl.** ..... **23-01**  
(52) **U.S. Cl.**  
USPC ..... **D23/209**; D23/207; D23/365  
(58) **Field of Classification Search**  
USPC ..... D23/207, 209, 365; D24/162, 101, 124;  
D27/167  
CPC ..... B01D 27/00; B01D 35/30; B01D 27/08  
See application file for complete search history.

(57) **CLAIM**

The ornamental design for a filter for pet fountain, as shown and described.

**DESCRIPTION**

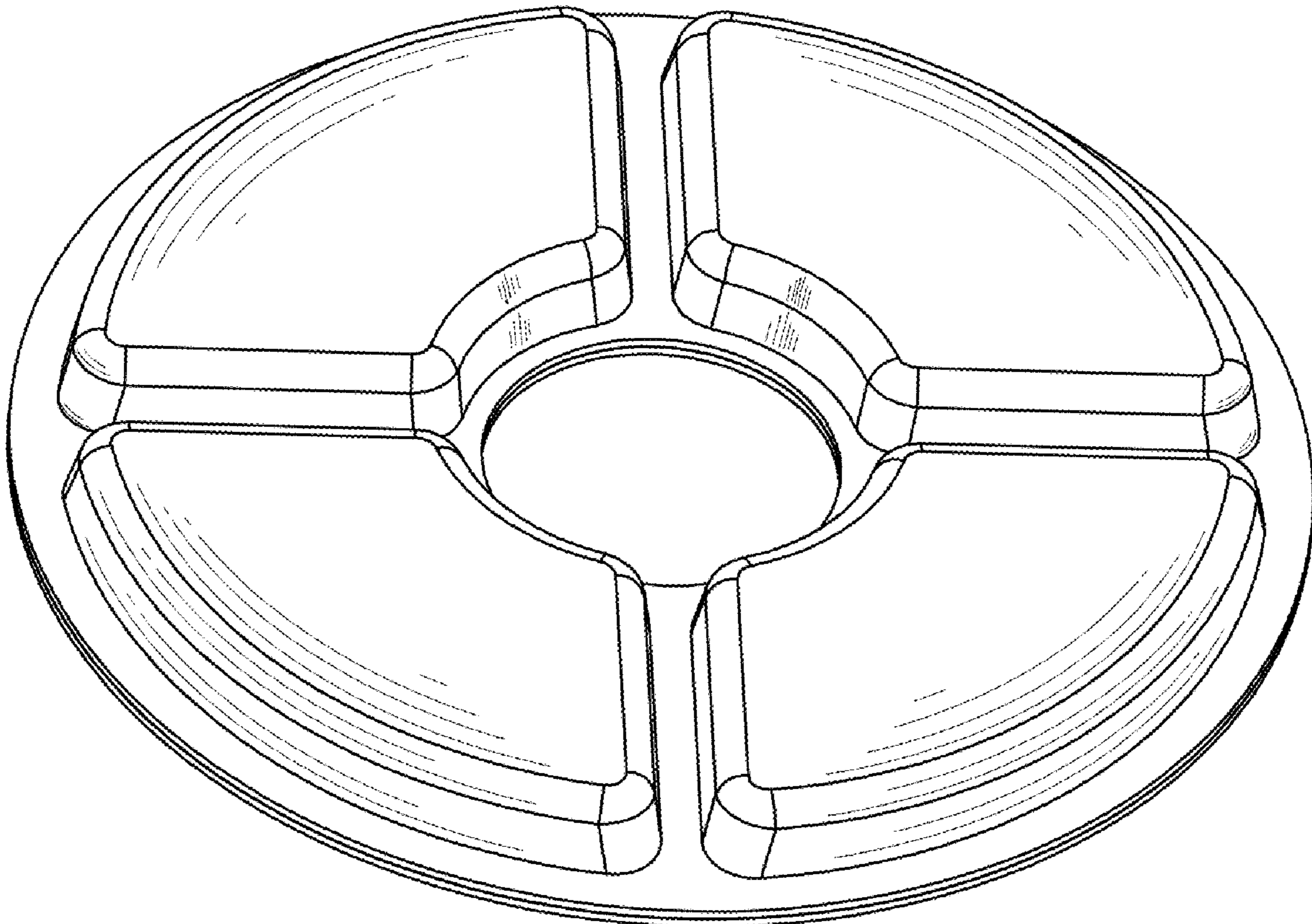
FIG. 1 is a front elevational view of a filter for pet fountain showing my new design;  
FIG. 2 is a rear elevational view thereof;  
FIG. 3 is a left side view thereof;  
FIG. 4 is a right side view thereof;  
FIG. 5 is a top plan view thereof;  
FIG. 6 is a bottom plan view thereof; and,  
FIG. 7 is a front perspective view thereof.

(56) **References Cited**

**U.S. PATENT DOCUMENTS**

D260,175 S \* 8/1981 Hein ..... D23/209  
D274,462 S \* 6/1984 Rakocy ..... D23/365  
8,770,148 B2 \* 7/2014 Lipscomb ..... F04B 23/021  
119/74

**1 Claim, 6 Drawing Sheets**



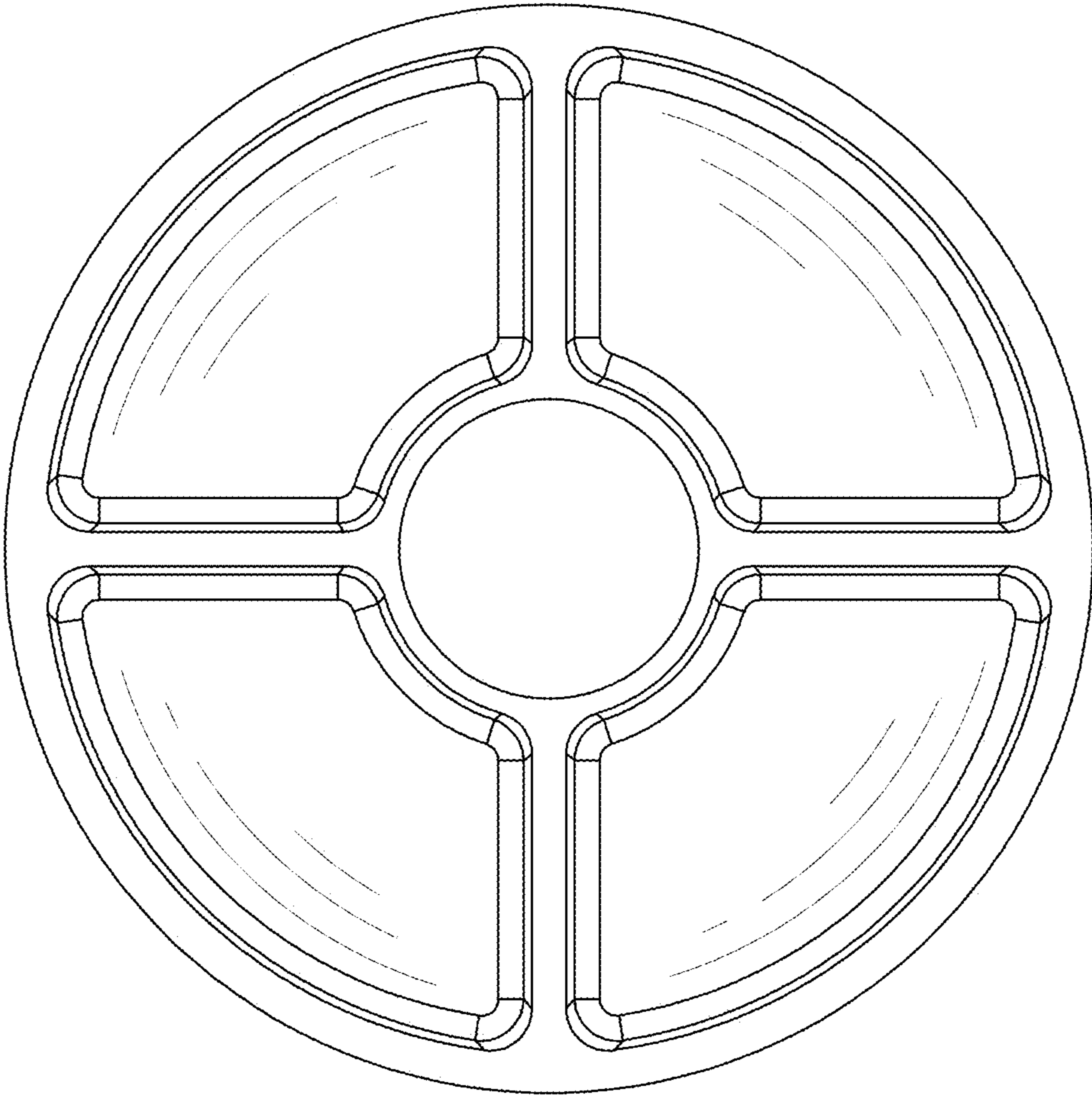


Fig.1

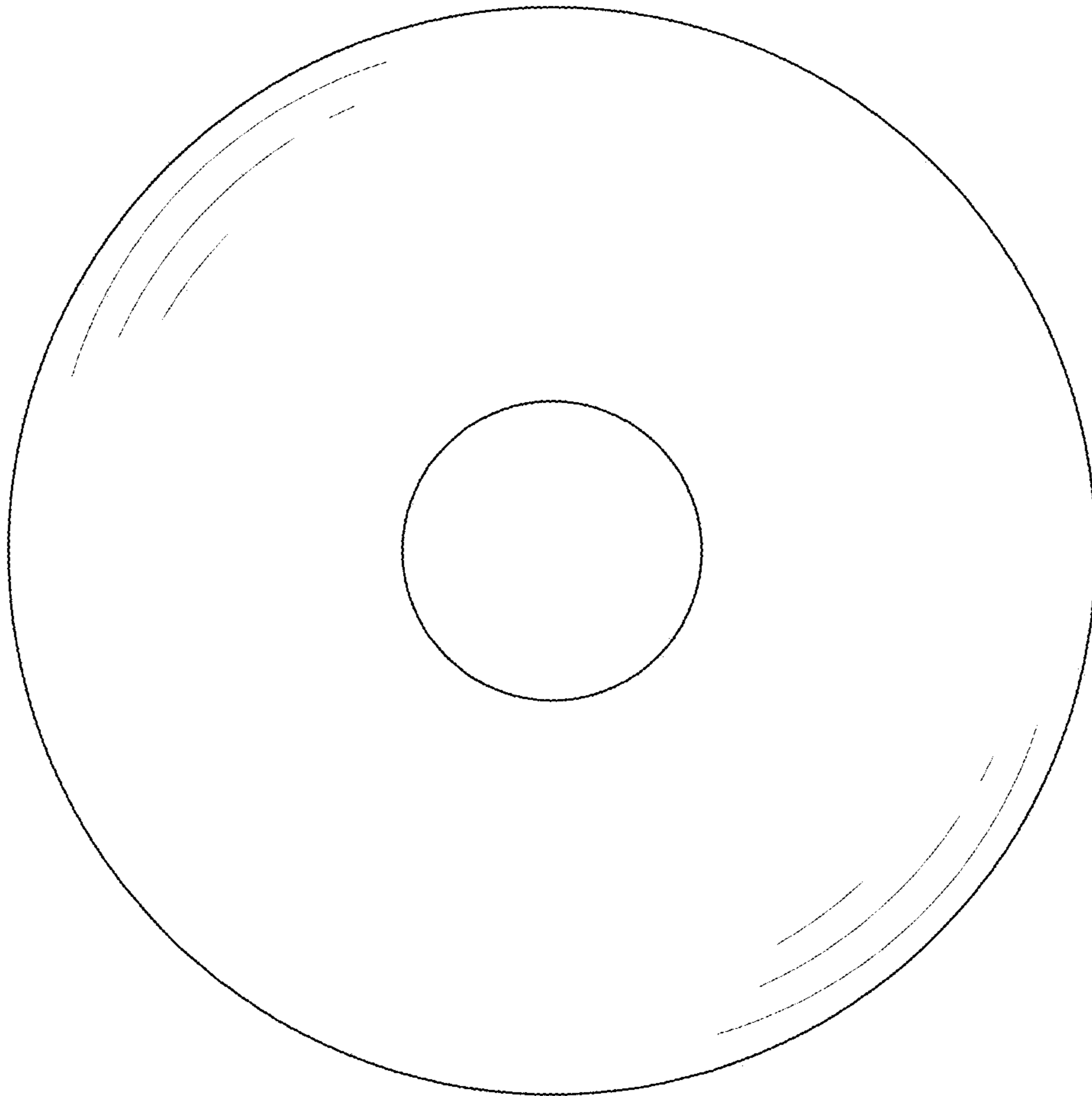


Fig. 2

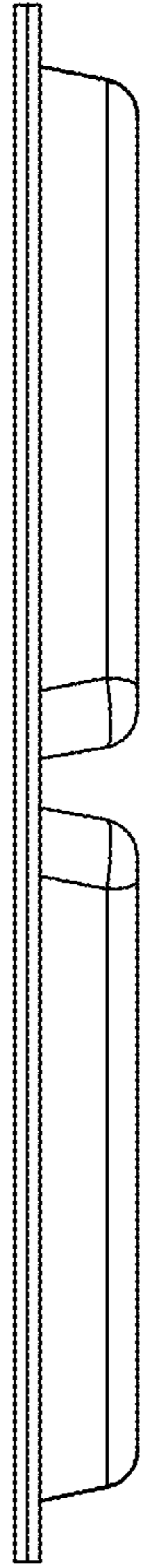


Fig. 3

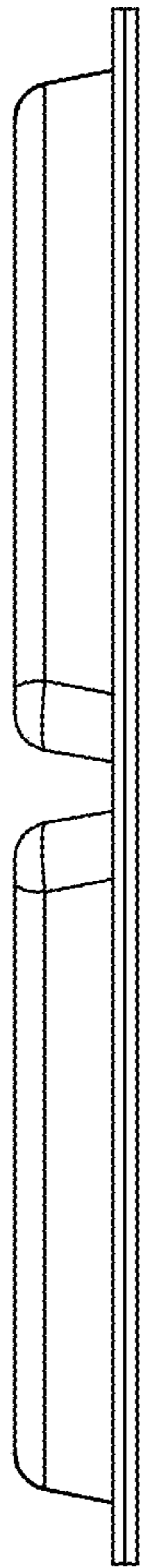


Fig. 4

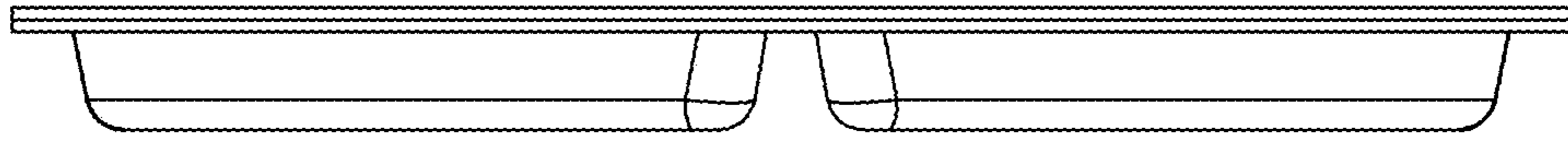


Fig. 5

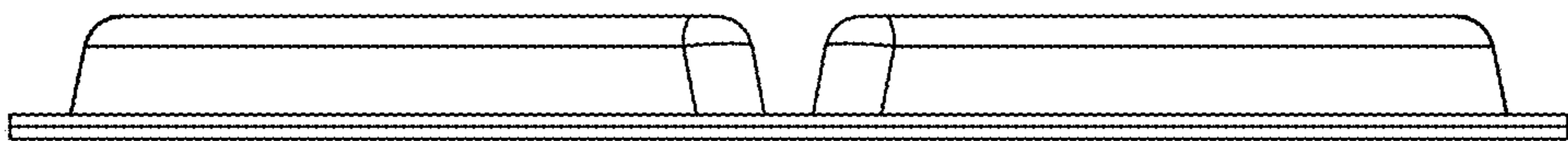


Fig. 6

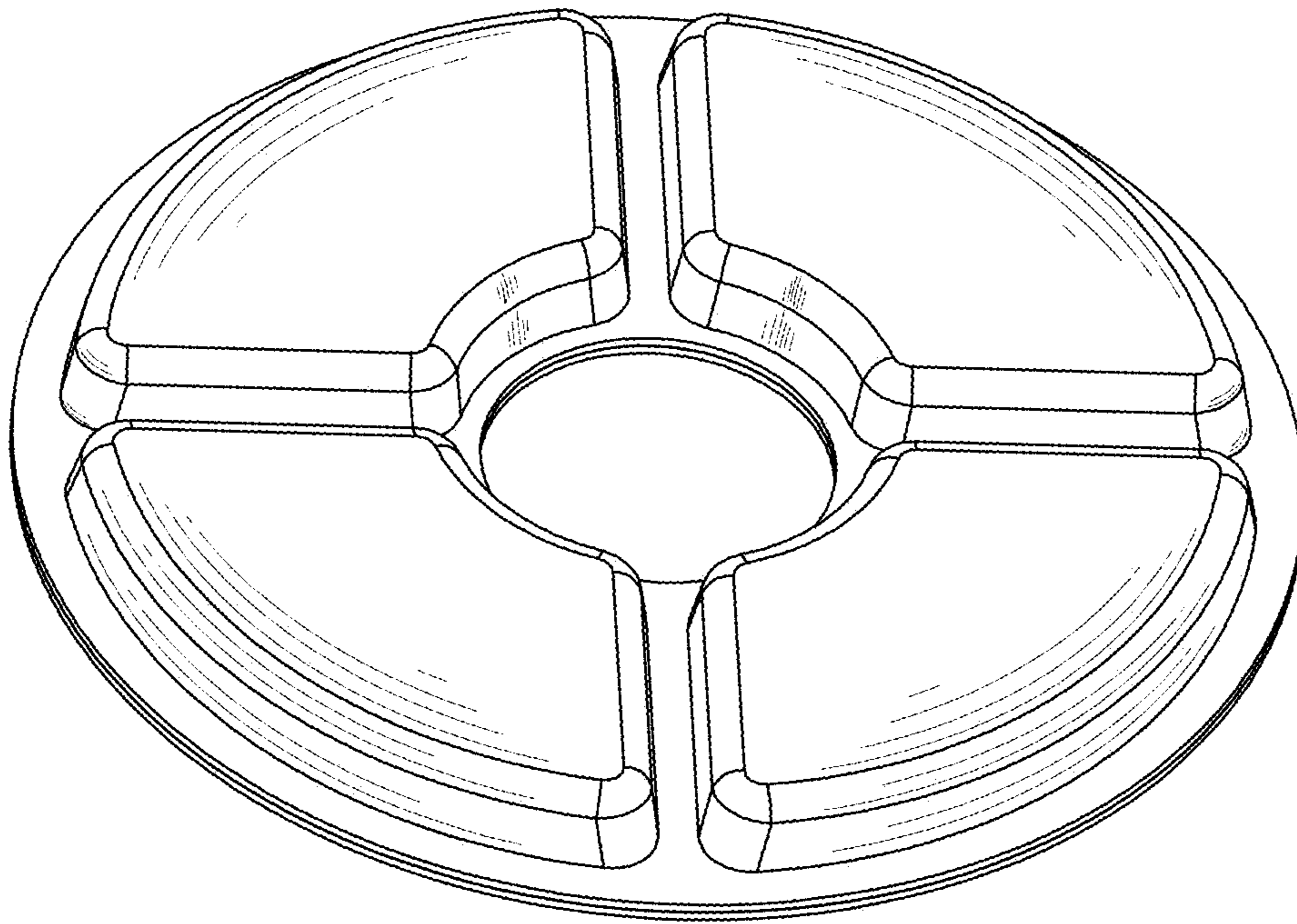


Fig. 7