



US00D912759S

(12) **United States Design Patent**
Lei

(10) **Patent No.:** **US D912,759 S**
(45) **Date of Patent:** **** Mar. 9, 2021**

(54) **INFLATABLE WATER FLOAT**
(71) Applicant: **Huizhou Miaosite Industrial Co., LTD.**, Huizhou (CN)
(72) Inventor: **Shengli Lei**, Huizhou (CN)
(73) Assignee: **HUIZHOU MIAOSITE INDUSTRIAL CO., LTD.**, Huizhou (CN)

6,749,474 B2 * 6/2004 Hsu B63B 34/50
441/131
D847,929 S * 5/2019 Chin Gerding D21/803
D866,872 S * 11/2019 Liu D29/124
D869,589 S * 12/2019 Castro D21/803
D891,556 S * 7/2020 He D21/808
D891,557 S * 7/2020 He D21/808
D897,474 S * 9/2020 He D21/808
D898,150 S * 10/2020 Barrett D21/809
D904,539 S * 12/2020 Barrett D21/808

(**) Term: **15 Years**
(21) Appl. No.: **29/709,417**
(22) Filed: **Oct. 14, 2019**

(30) **Foreign Application Priority Data**
Aug. 22, 2019 (CN) 201930459133.9
(51) **LOC (13) Cl.** **21-02**
(52) **U.S. Cl.**
USPC **D21/808; D21/803**
(58) **Field of Classification Search**
USPC D6/597-599, 601; D12/316; D21/803,
D21/805-806, 808, 809
CPC .. A63B 21/4005; A47C 15/006; A47C 15/008
See application file for complete search history.

(56) **References Cited**
U.S. PATENT DOCUMENTS
5,447,459 A * 9/1995 Hammond B63B 32/00
441/135
D377,821 S * 2/1997 Kuan D21/809
5,766,052 A * 6/1998 Metro B63B 17/02
441/130
D413,956 S * 9/1999 Peterson D21/801
6,394,868 B1 * 5/2002 Katz B63B 34/50
441/130

OTHER PUBLICATIONS

“MYRCLMY Children’s Swimming Float Ring, Tank Shape” Jun. 1, 2020, site visited Jan. 13, 2021: <https://www.amazon.co.uk/dp/B089GWXTZH/> (Year: 2020).*

* cited by examiner

Primary Examiner — Michael C Stout
Assistant Examiner — Melvin L Davis
(74) *Attorney, Agent, or Firm* — Cheng-Ju Chiang

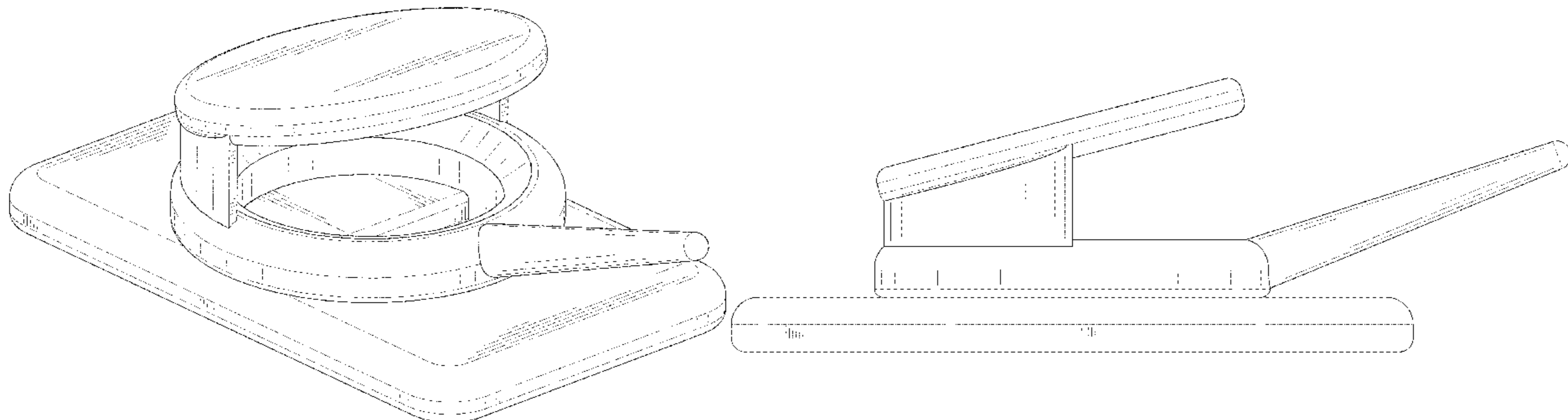
(57) **CLAIM**

The ornamental design for an “inflatable water float”, as shown and described.

DESCRIPTION

FIG. 1 is a front, top and left side perspective view of an inflatable water float showing my new design; FIG. 2 is a front, top and right side perspective view thereof; FIG. 3 is a front elevational view thereof; FIG. 4 is a rear elevational view thereof; FIG. 5 is a left side elevational view thereof; FIG. 6 is a right side elevational view thereof; FIG. 7 is a top plan view thereof; and, FIG. 8 is a bottom plan view thereof.

1 Claim, 8 Drawing Sheets



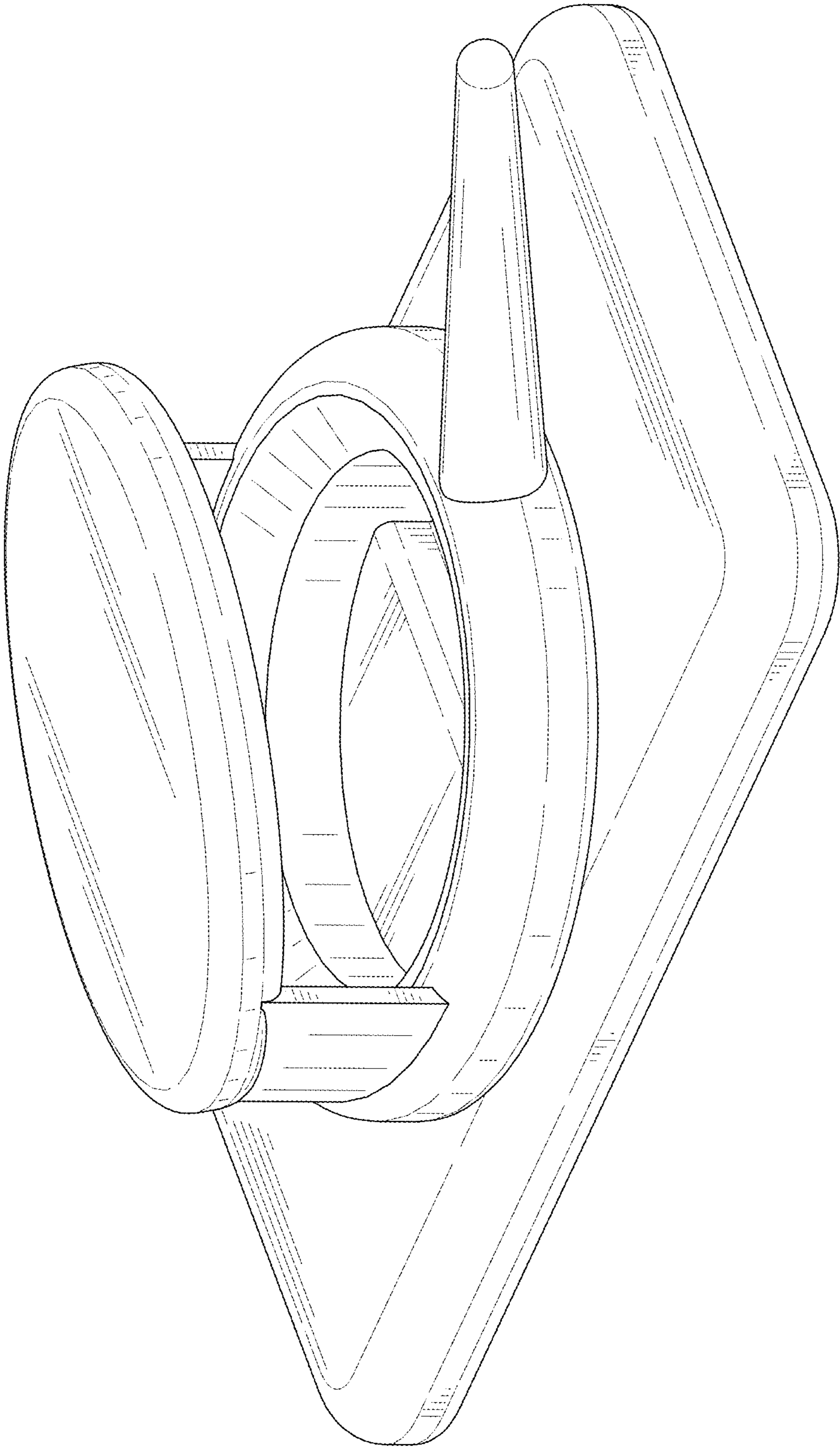


FIG. 1

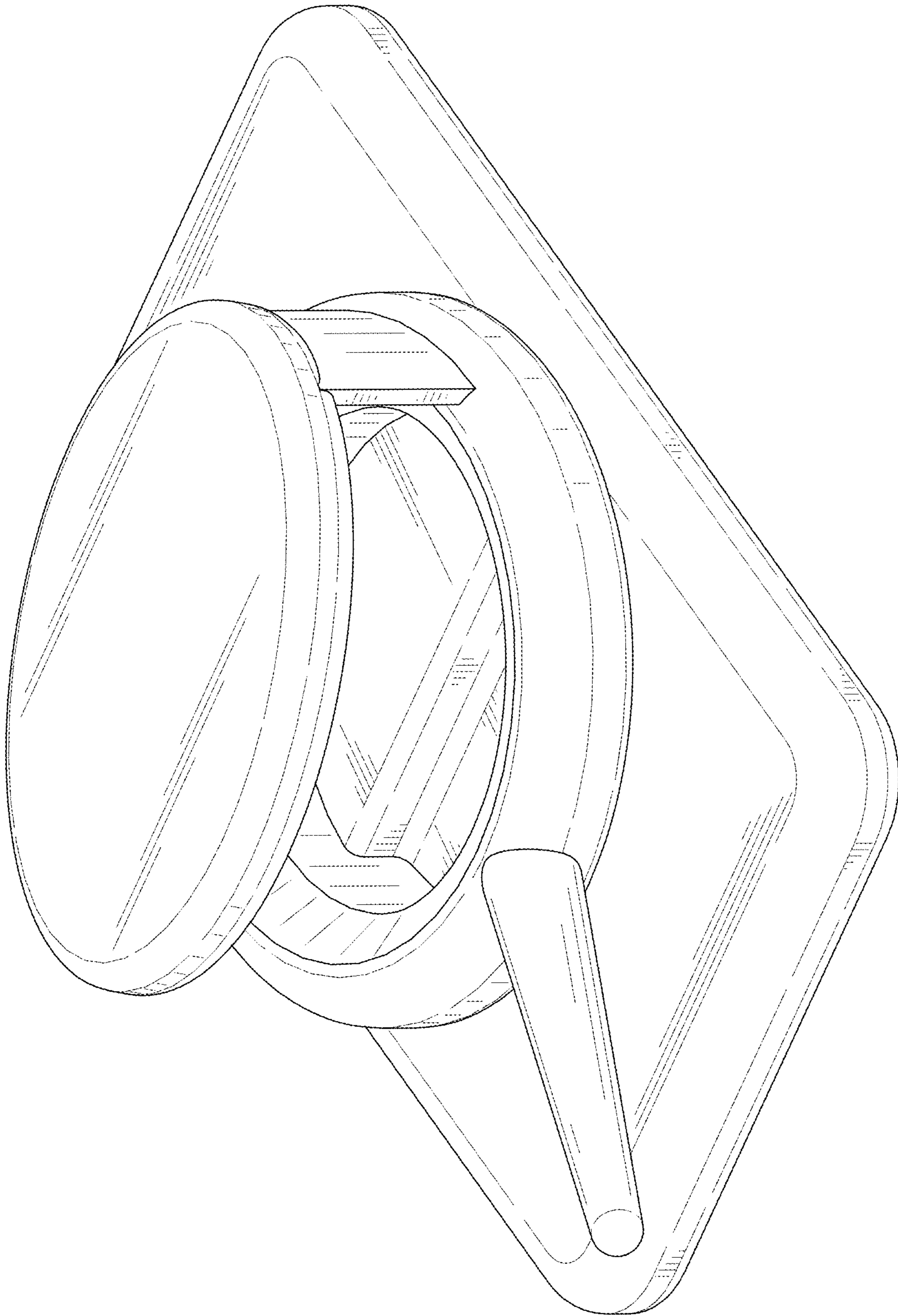


FIG. 2

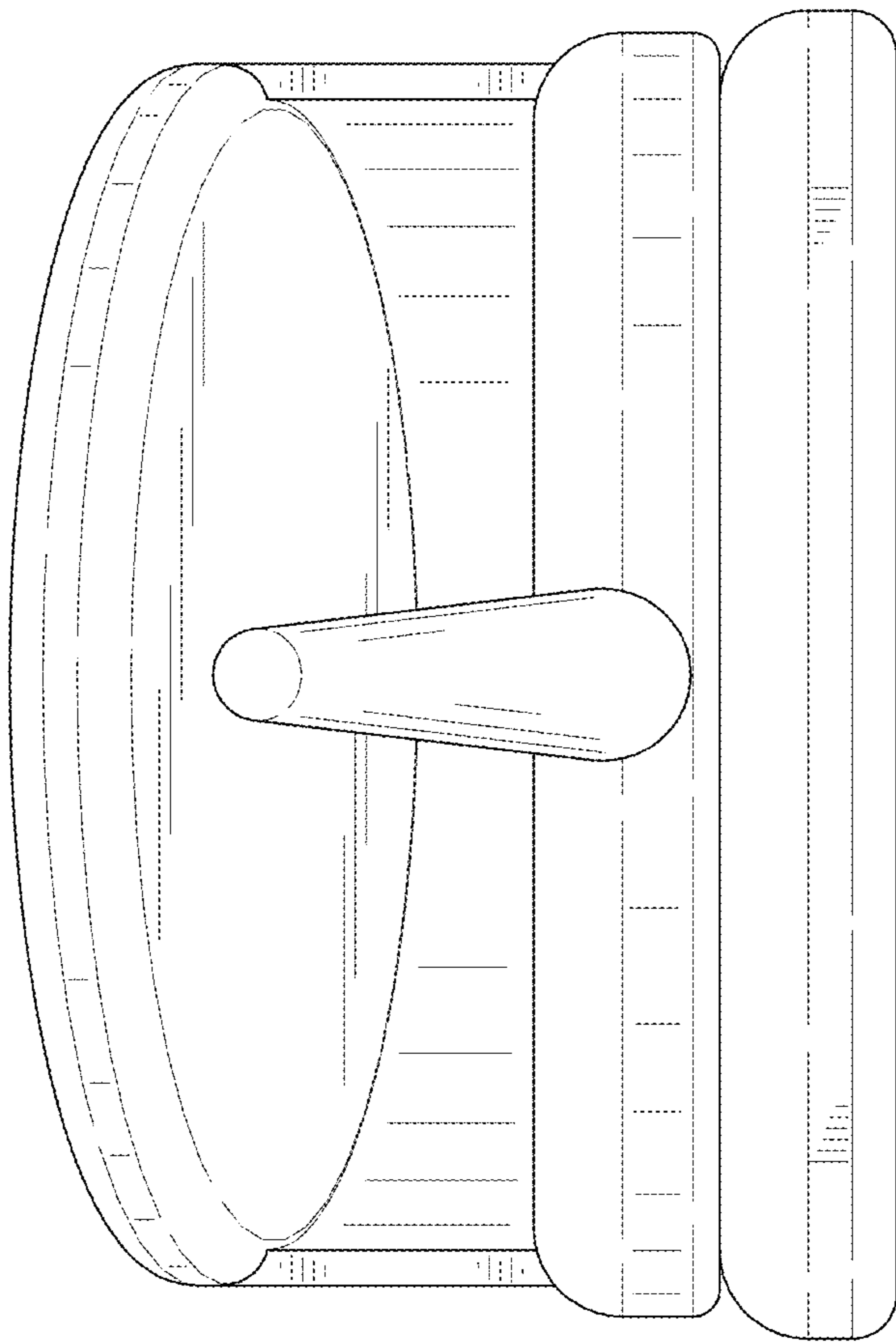


FIG. 3

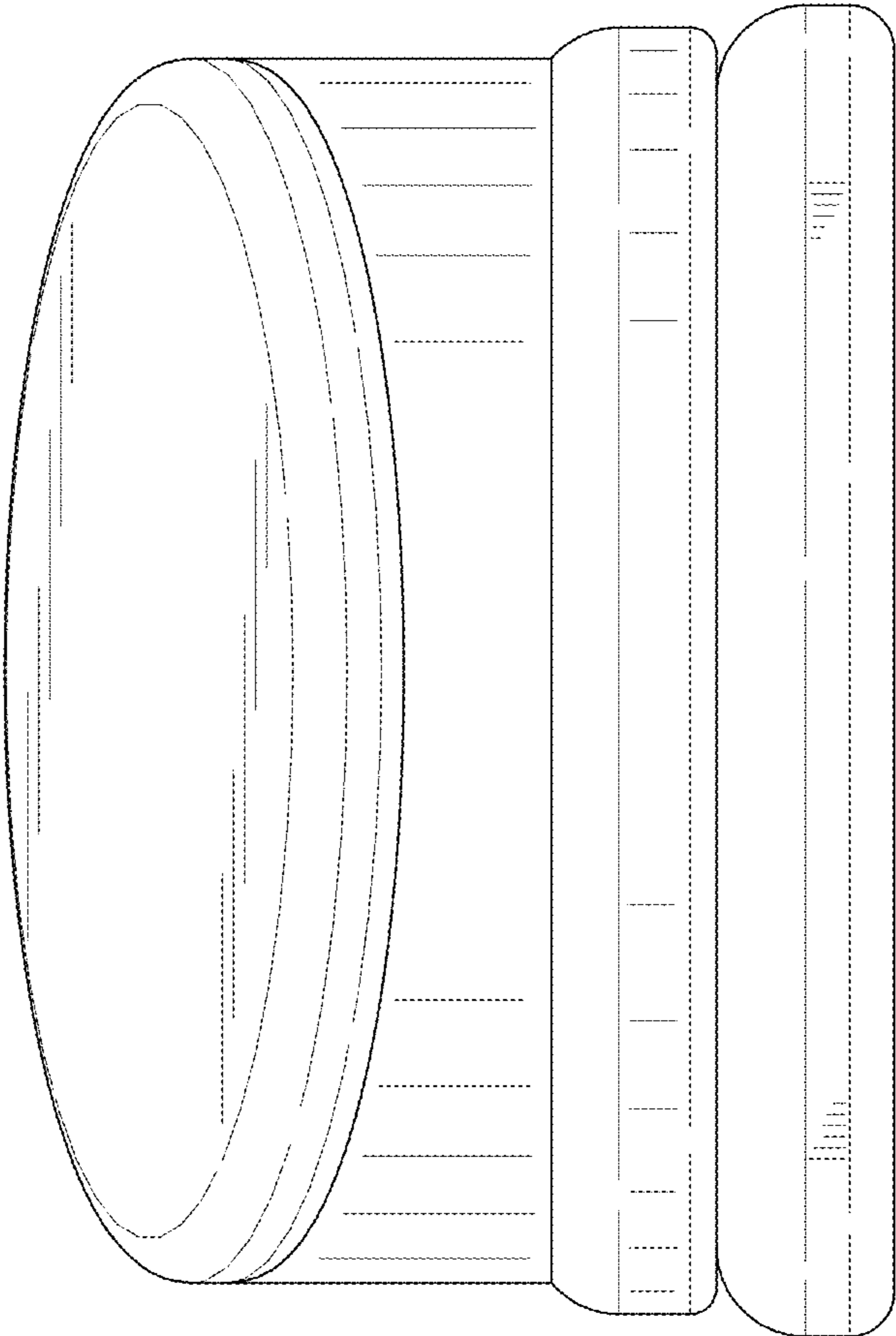


FIG. 4

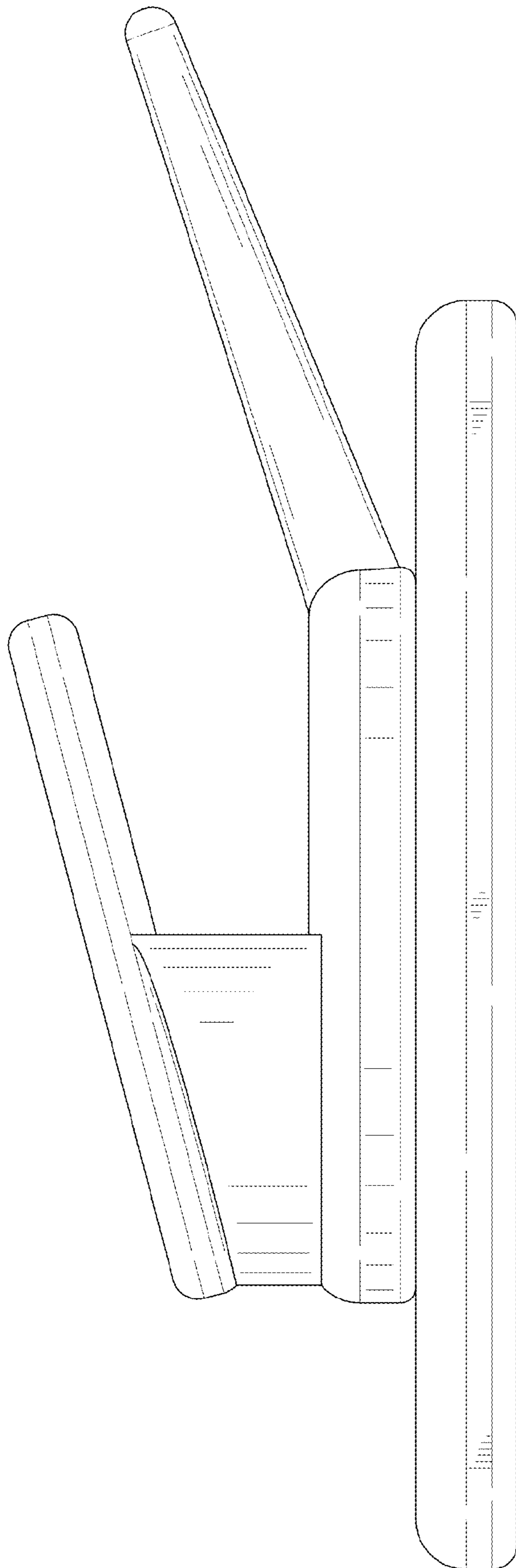


FIG. 5

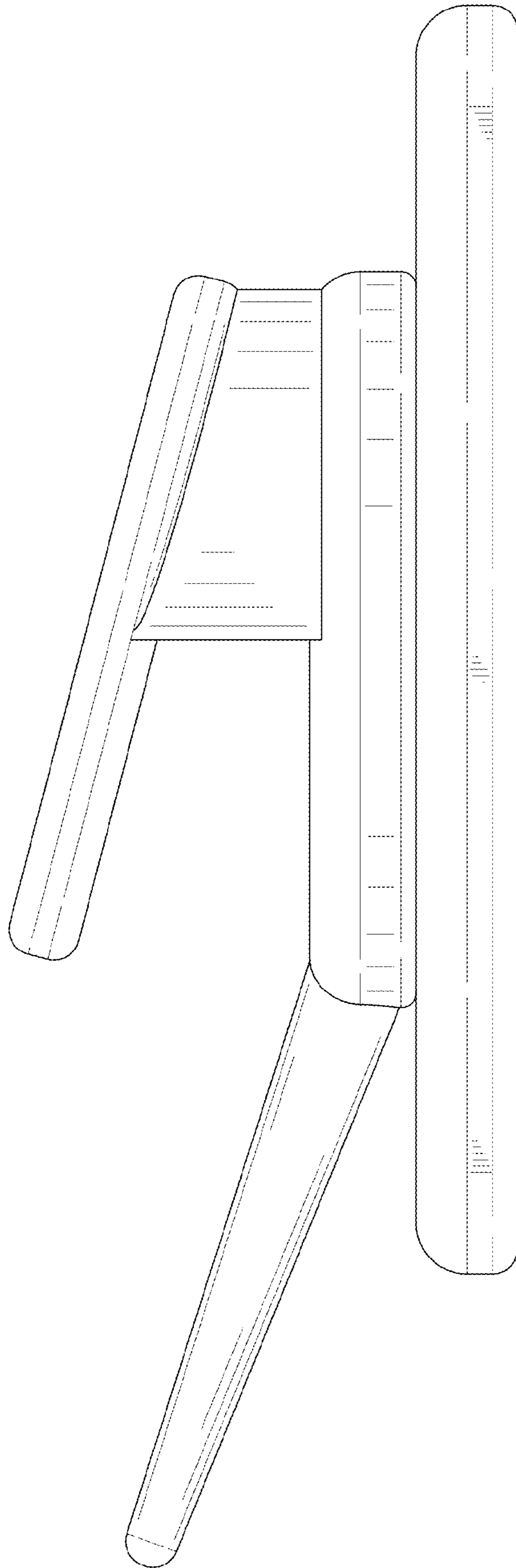


FIG. 6

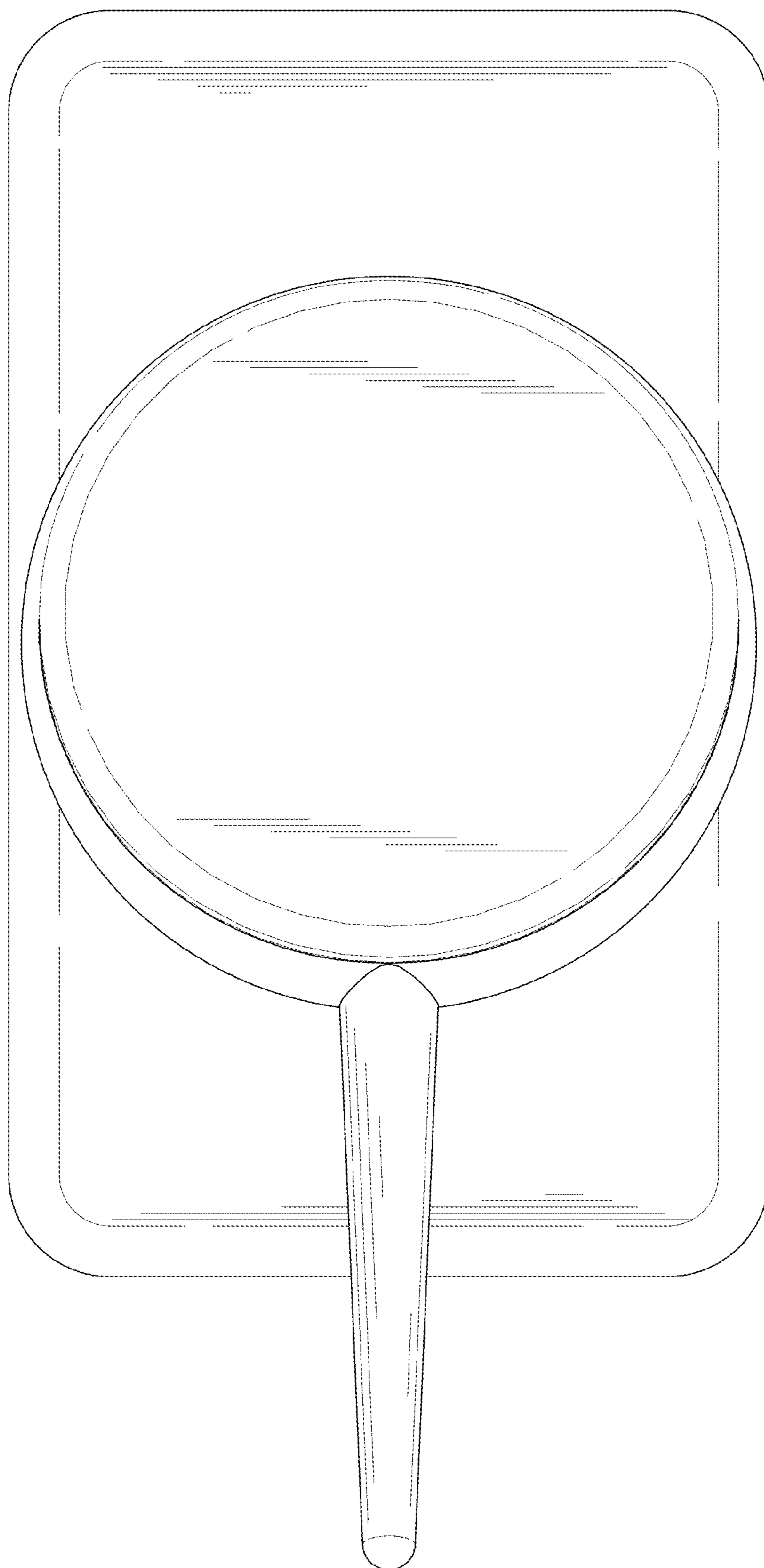


FIG. 7

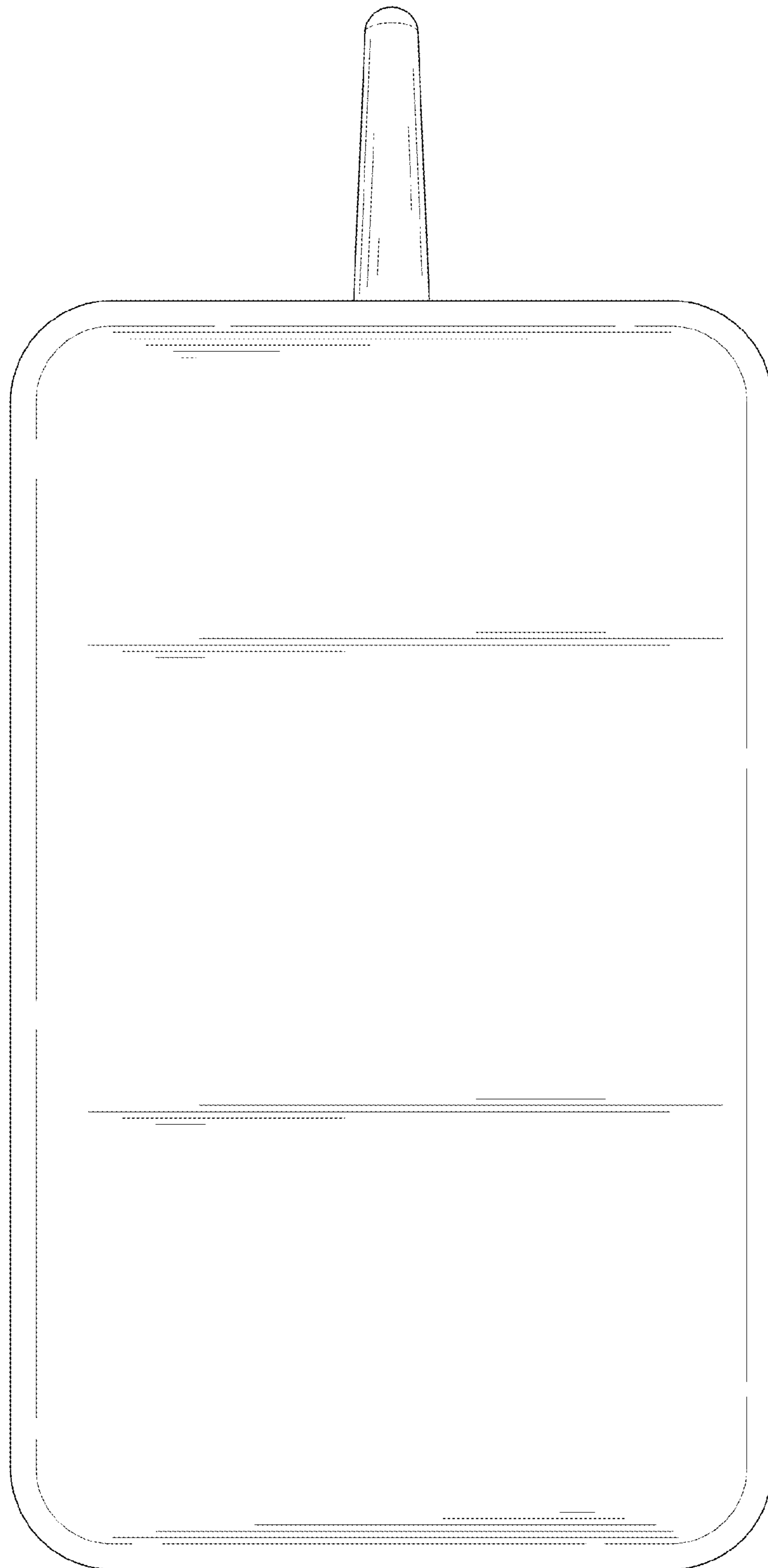


FIG. 8