



US00D912757S

(12) **United States Design Patent**
Cirjak et al.

(10) **Patent No.:** **US D912,757 S**
(45) **Date of Patent:** **** Mar. 9, 2021**

(54) **WATERSPORT EQUIPMENT**

(71) Applicant: **Wibit Sports GmbH**, Bocholt (DE)
(72) Inventors: **Robert Cirjak**, Bocholt (DE); **Mareen Katemann**, Borken (DE); **Romann Rademacher**, Bocholt (DE)

(**) Term: **15 Years**

(21) Appl. No.: **35/507,799**

(22) Filed: **May 8, 2019**

(80) **Hague Agreement Data**

Int. Filing Date: **May 8, 2019**
Int. Reg. No.: **DM/203834**
Int. Reg. Date: **May 8, 2019**
Int. Reg. Pub. Date: **Nov. 15, 2019**

(30) **Foreign Application Priority Data**

Nov. 8, 2018 (EM) 005820107-0038

(51) **LOC (13) Cl.** **21-02**

(52) **U.S. Cl.**
USPC **D21/803**

(58) **Field of Classification Search**
USPC D21/801, 803, 804, 805, 808, 809, 814,
D21/815, 818, 819, 835
CPC B63B 35/58; B63B 35/607; B63B 35/613;
B63B 34/00; B63B 34/10; B63B 34/15;
B63C 9/30

See application file for complete search history.

(56) **References Cited**

U.S. PATENT DOCUMENTS

D777,281 S *	1/2017	Peterson	D21/803
D801,466 S *	10/2017	Rademacher	D21/803
D824,468 S *	7/2018	Rademacher	D21/803
D851,192 S *	6/2019	Gardner	D21/803
D873,941 S *	1/2020	Hsu	D21/808
D891,554 S *	7/2020	Rademacher	D21/803

* cited by examiner

Primary Examiner — George D. Kirschbaum
Assistant Examiner — Joseph J Kukella

(57) **CLAIM**

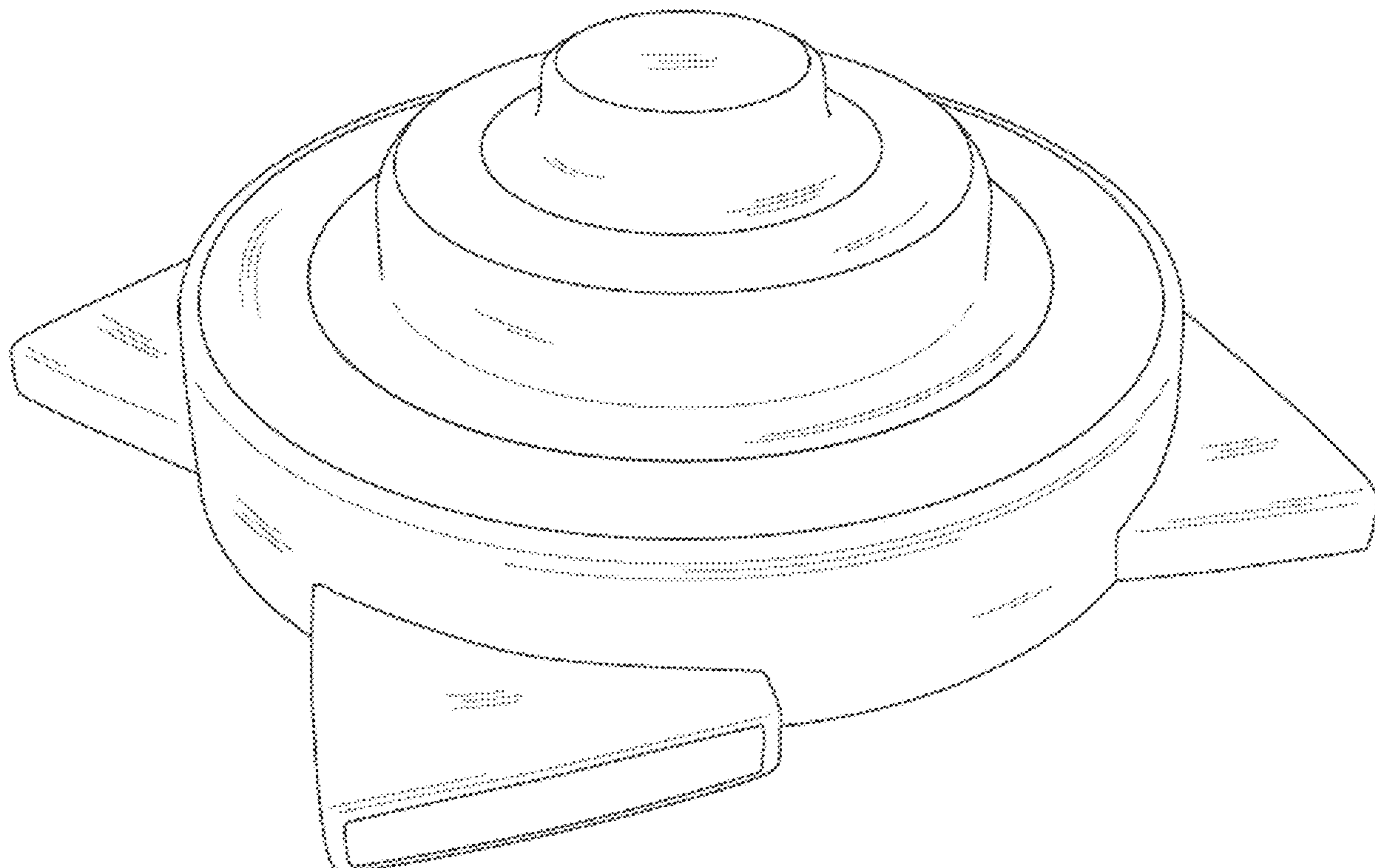
The ornamental design for watersport equipment, as shown and described.

DESCRIPTION

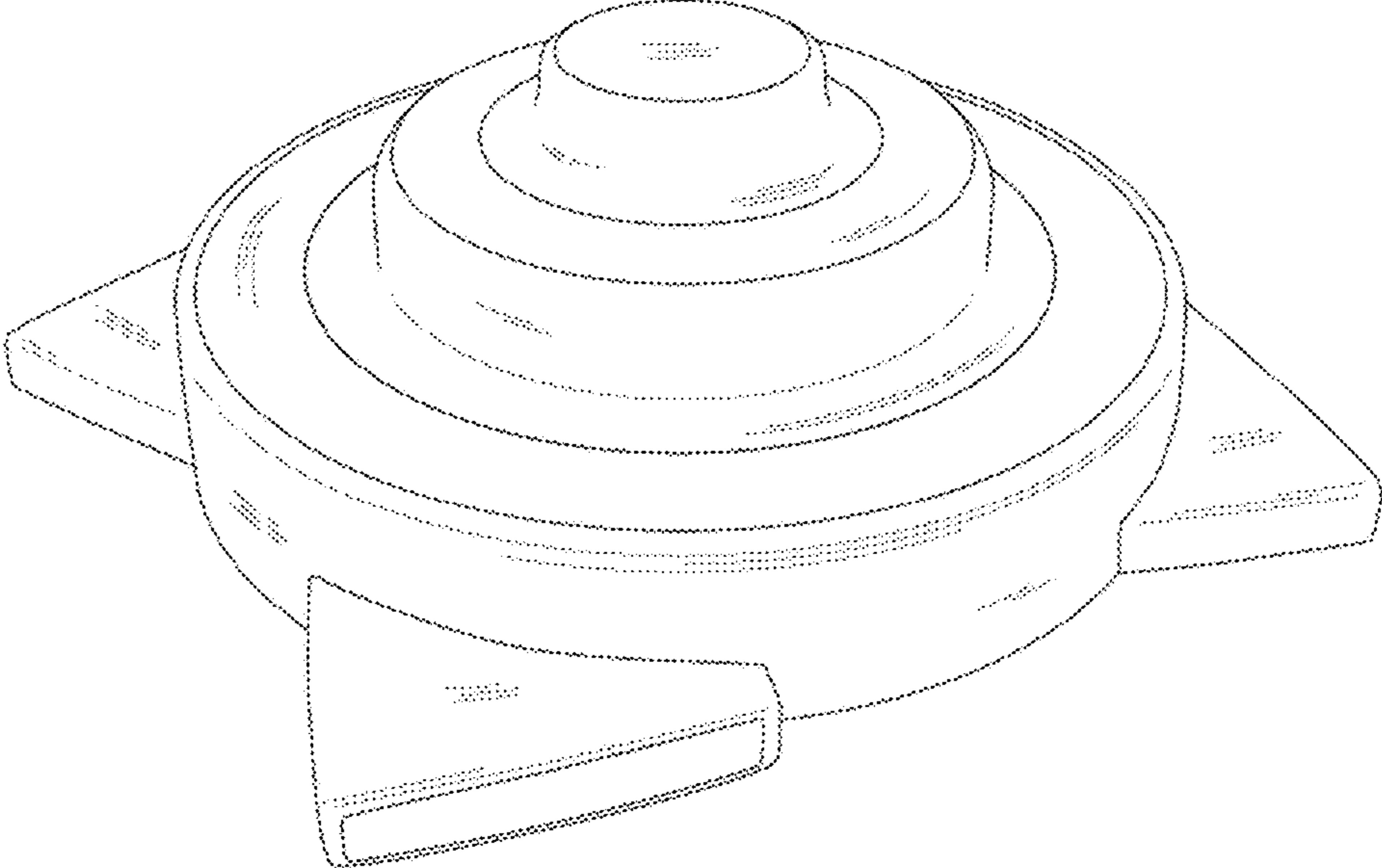
- 1. Watersport equipment
- 1.1 : Perspective
- 1.2 : Back
- 1.3 : Front
- 1.4 : Bottom
- 1.5 : Right
- 1.6 : Left
- 1.7 : Top

The design shows a new, original and ornamental design for a watersport equipment as shown in the drawings.

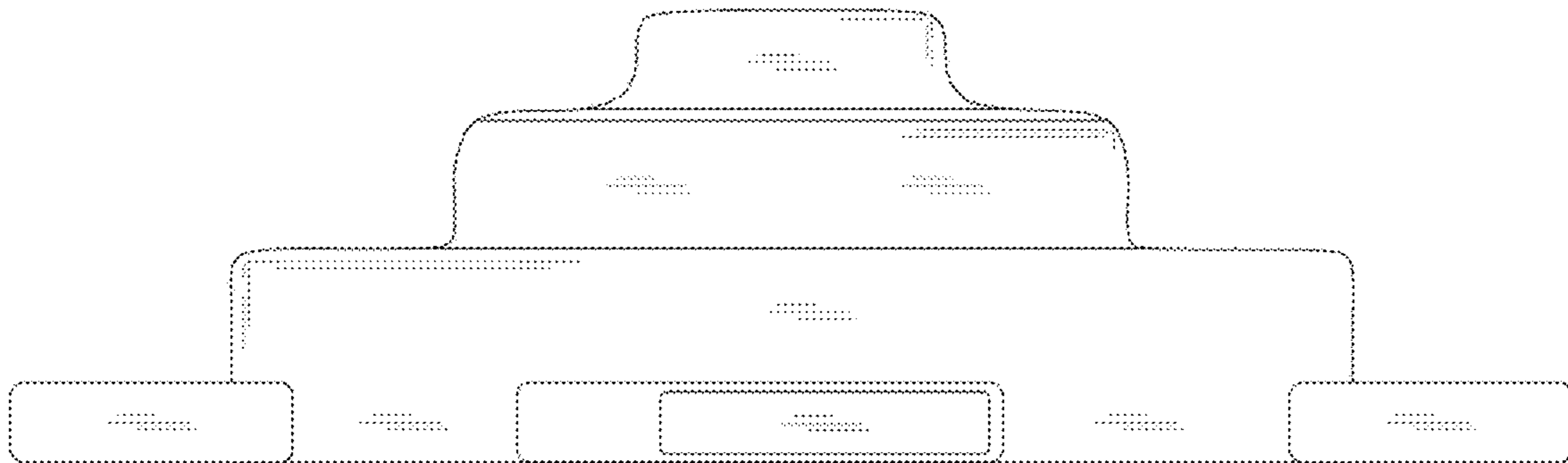
1 Claim, 7 Drawing Sheets



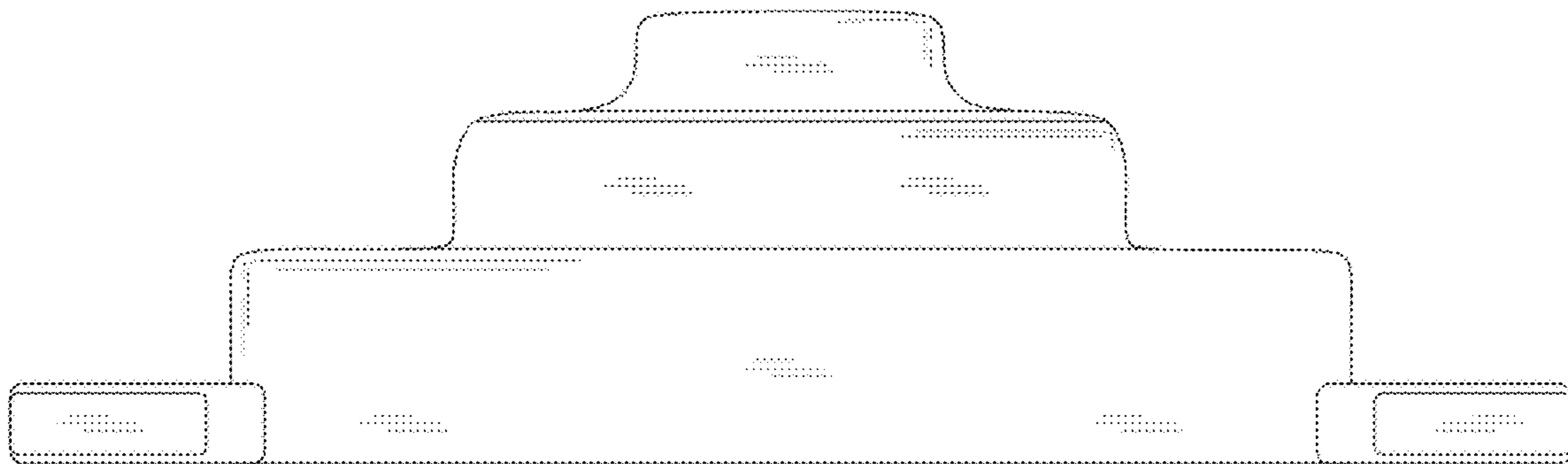
1.1



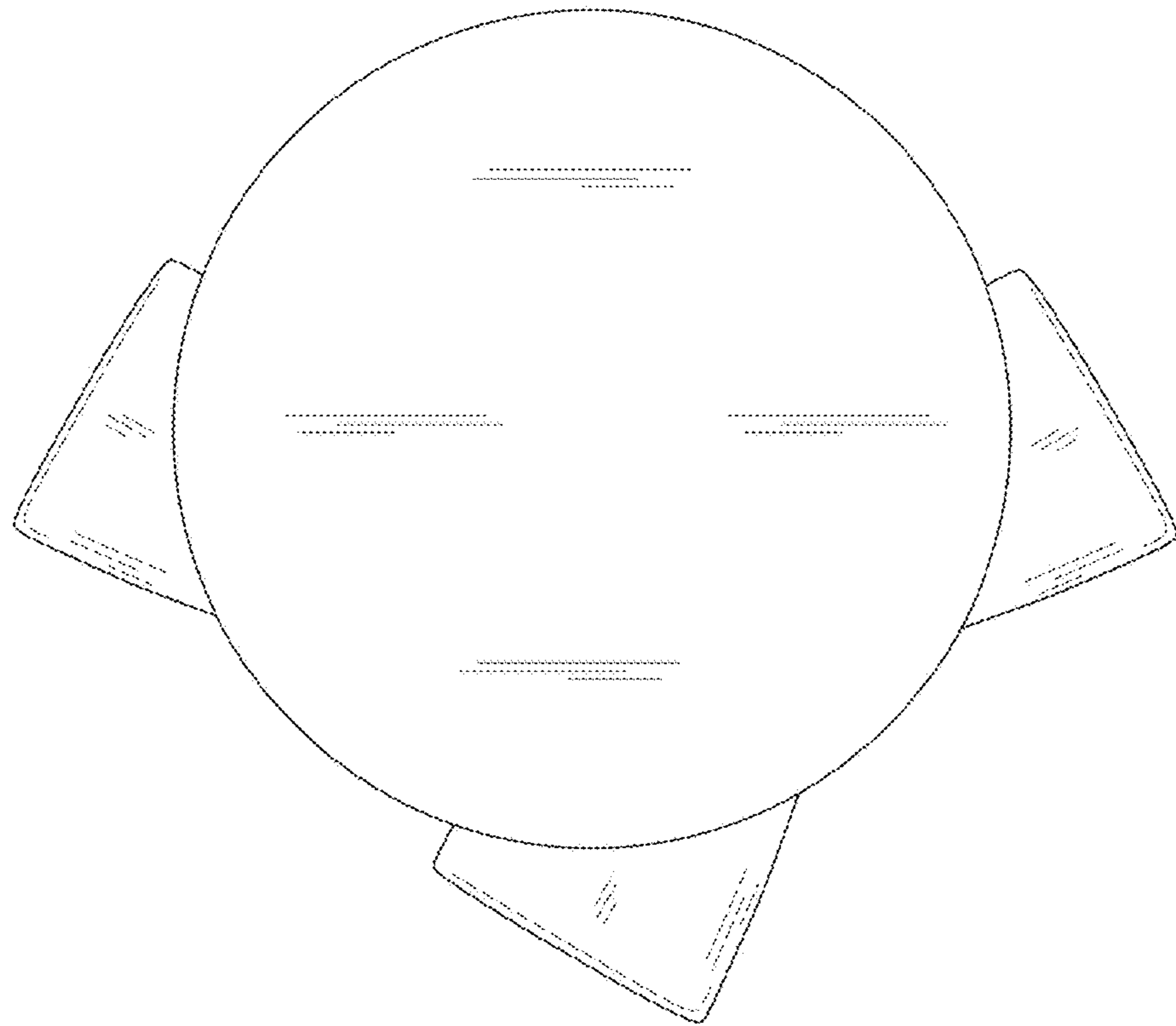
1.2



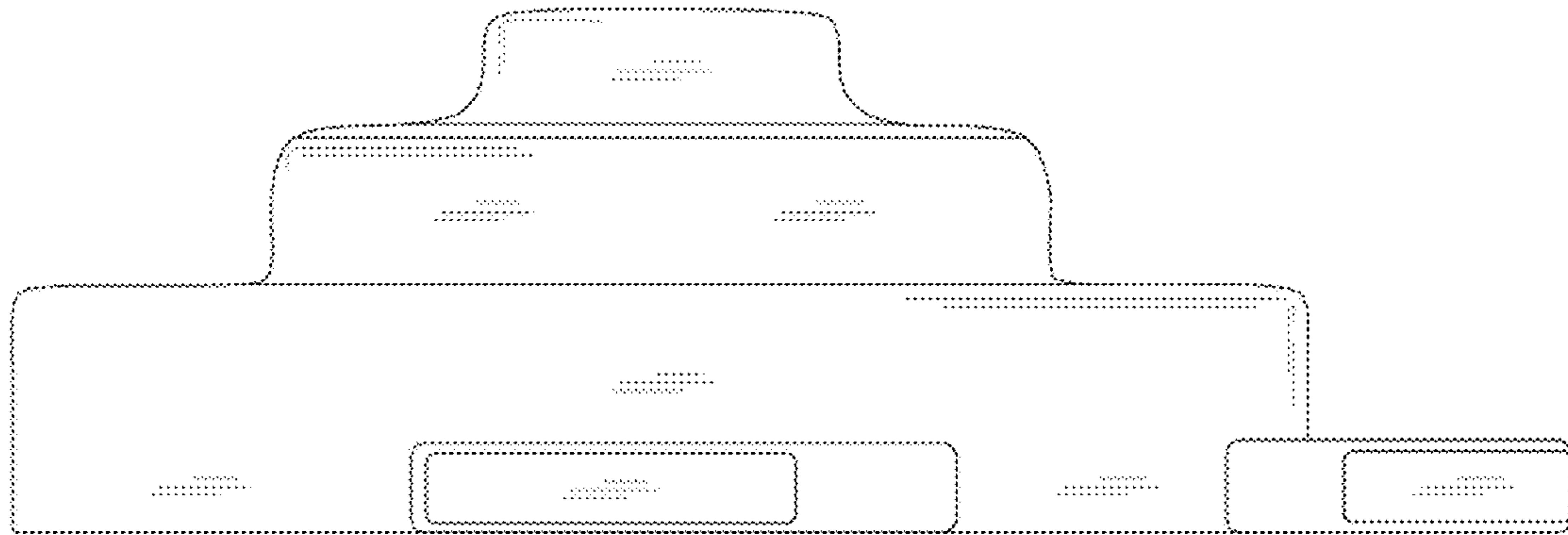
1.3



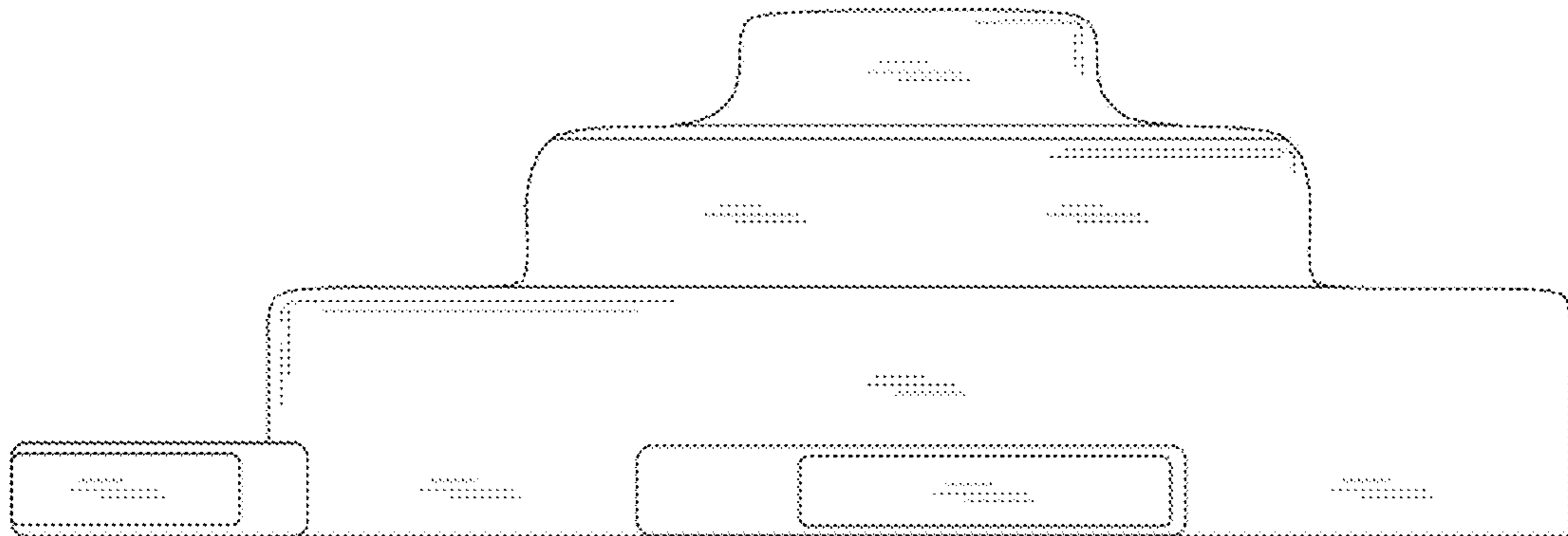
1.4



1.5



1.6



1.7

