



US00D912753S

(12) **United States Design Patent**  
**Zheng**

(10) **Patent No.:** **US D912,753 S**  
(45) **Date of Patent:** **\*\* Mar. 9, 2021**

- (54) **PUNCHING BAG**
- (71) Applicant: **Jinhua Taisen Sports Goods Co., Ltd.**,  
Jinhua (CN)
- (72) Inventor: **Xiaojing Zheng**, Jinhua (CN)
- (73) Assignee: **Jinhua Taisen Sports Goods Co., Ltd.**,  
Jinhua (CN)
- (\*\*) Term: **15 Years**
- (21) Appl. No.: **29/755,997**
- (22) Filed: **Oct. 23, 2020**
- (51) **LOC (13) Cl.** ..... **21-02**
- (52) **U.S. Cl.**  
USPC ..... **D21/787**
- (58) **Field of Classification Search**  
USPC ..... D21/787, 798, 662, 680, 686, 688,  
D21/692-694; 482/83-90  
CPC ..... A63B 69/20; A63B 69/201; A63B 69/203;  
A63B 69/205; A63B 69/206; A63B  
69/208; A63B 69/24; A63B 69/26; A63B  
69/32; A63B 69/325; A63B 69/34  
See application file for complete search history.

(56) **References Cited**

**U.S. PATENT DOCUMENTS**

- 1,665,969 A \* 4/1928 McNamara ..... A63B 69/208  
482/90
- 1,703,012 A \* 2/1929 McNamara ..... A63B 69/208  
482/90
- 4,103,889 A \* 8/1978 Lobur ..... A63B 69/201  
482/86
- D325,233 S \* 4/1992 Brunette ..... D21/787
- 5,624,358 A \* 4/1997 Hestilow ..... A63B 69/208  
482/83
- 5,788,612 A \* 8/1998 Rennick ..... A63B 69/208  
482/83
- D409,670 S \* 5/1999 Kuo ..... A63B 69/00  
D21/662

- 6,027,435 A \* 2/2000 Nadorf ..... A63B 69/208  
482/146
- 6,106,443 A \* 8/2000 Kuo ..... A63B 69/34  
482/83
- 6,390,958 B1 \* 5/2002 Chu ..... A63B 69/20  
482/83
- D483,828 S \* 12/2003 Perez ..... D21/787  
(Continued)

**FOREIGN PATENT DOCUMENTS**

- CN 303170082 \* 4/2015
- CN 303533496 \* 6/2016  
(Continued)

*Primary Examiner* — Catherine A Tuttle  
(74) *Attorney, Agent, or Firm* — ScienBiziP, P.C.

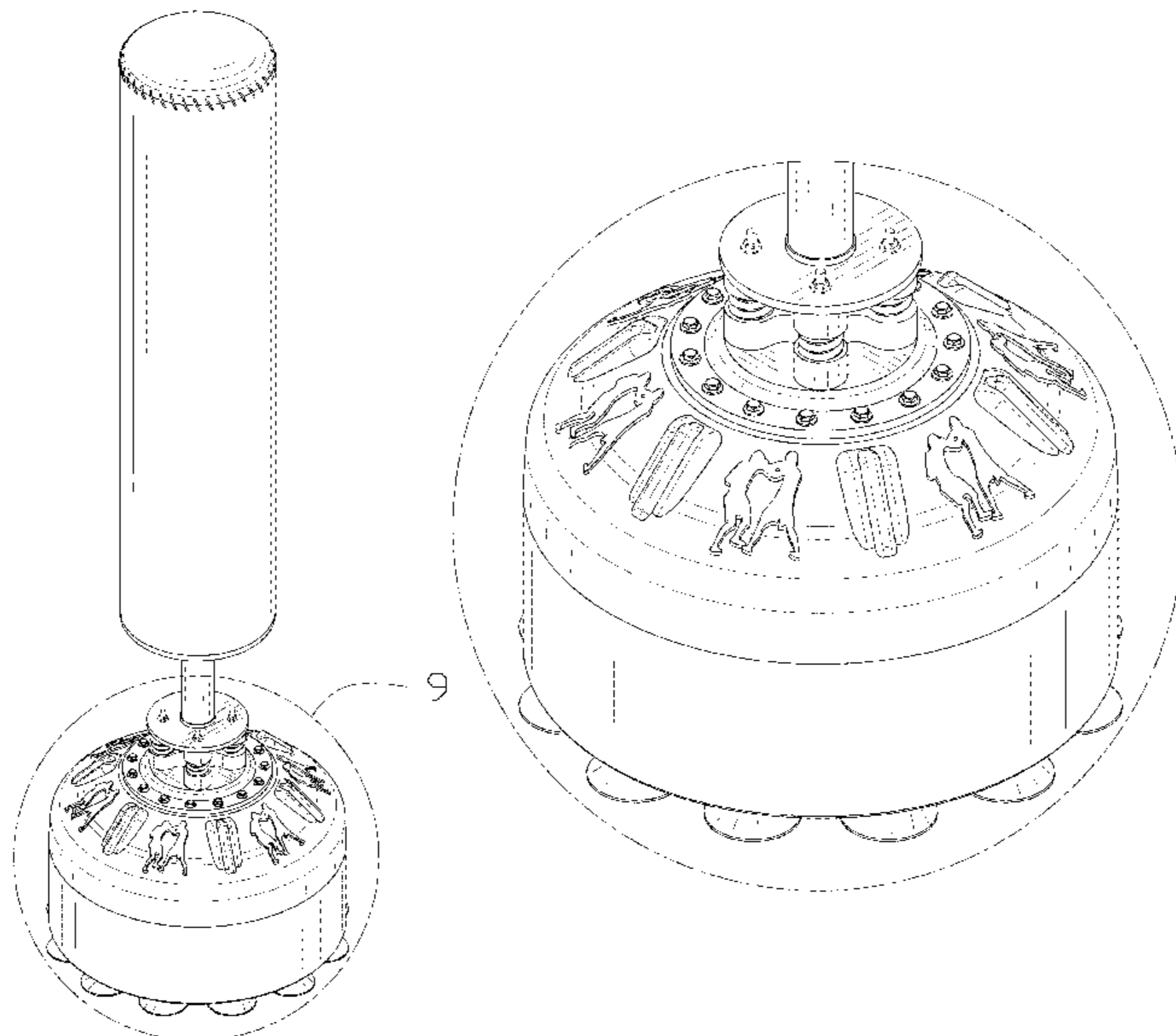
(57) **CLAIM**

The ornamental design for a punching bag, as shown and described.

**DESCRIPTION**

FIG. 1 is a top perspective view of a punching bag, showing my design.  
 FIG. 2 is a bottom perspective view thereof.  
 FIG. 3 is a front elevation view thereof.  
 FIG. 4 is a rear elevation view thereof.  
 FIG. 5 is a left side elevation thereof.  
 FIG. 6 is a right side elevation thereof.  
 FIG. 7 is a top plan view thereof.  
 FIG. 8 is a bottom plan view thereof.  
 FIG. 9 is an enlarged view of the area labeled 9 in FIG. 1; and,  
 FIG. 10 is an enlarged view of the area labeled 10 in FIG. 2.  
 The broken lines denoting the areas of enlargement and depicting details within the small circular platform at the base of the pole are for illustrative purposes only and form no part of the claimed design.

**1 Claim, 10 Drawing Sheets**



(56)

**References Cited**

U.S. PATENT DOCUMENTS

6,790,167 B1 \* 9/2004 Carlin ..... A63B 69/004  
 482/83  
 7,086,997 B1 \* 8/2006 Fields ..... A63B 69/004  
 482/83  
 7,914,423 B1 \* 3/2011 Cogan ..... A63B 69/208  
 482/90  
 D709,976 S \* 7/2014 Clauder ..... D21/787  
 D799,623 S 10/2017 Pajonk-Taylor et al.  
 D812,171 S 3/2018 Rodriguez  
 10,124,227 B1 \* 11/2018 Morin ..... A63B 71/0622  
 D899,544 S \* 10/2020 Li ..... D21/787  
 2012/0149534 A1 \* 6/2012 Fu ..... A63B 69/201  
 482/90  
 2017/0036087 A1 \* 2/2017 Codrington ..... B32B 1/02  
 2017/0296897 A1 \* 10/2017 Simpson ..... A63B 71/0622

FOREIGN PATENT DOCUMENTS

CN 304473822 \* 1/2018  
 CN 304706279 \* 6/2018  
 CN 008160899-0001 \* 9/2020  
 DE 9317048 U1 \* 1/1994 ..... A63B 69/208  
 DE 202011105112 U1 \* 10/2011 ..... A63B 69/20  
 GB 6094222 \* 7/2020  
 WO WO-02098520 A1 \* 12/2002 ..... A63B 71/023  
 WO WO-2010111459 A1 \* 9/2010 ..... A63B 71/0036  
 WO WO-2012083214 A1 \* 6/2012 ..... A63B 69/203

\* cited by examiner

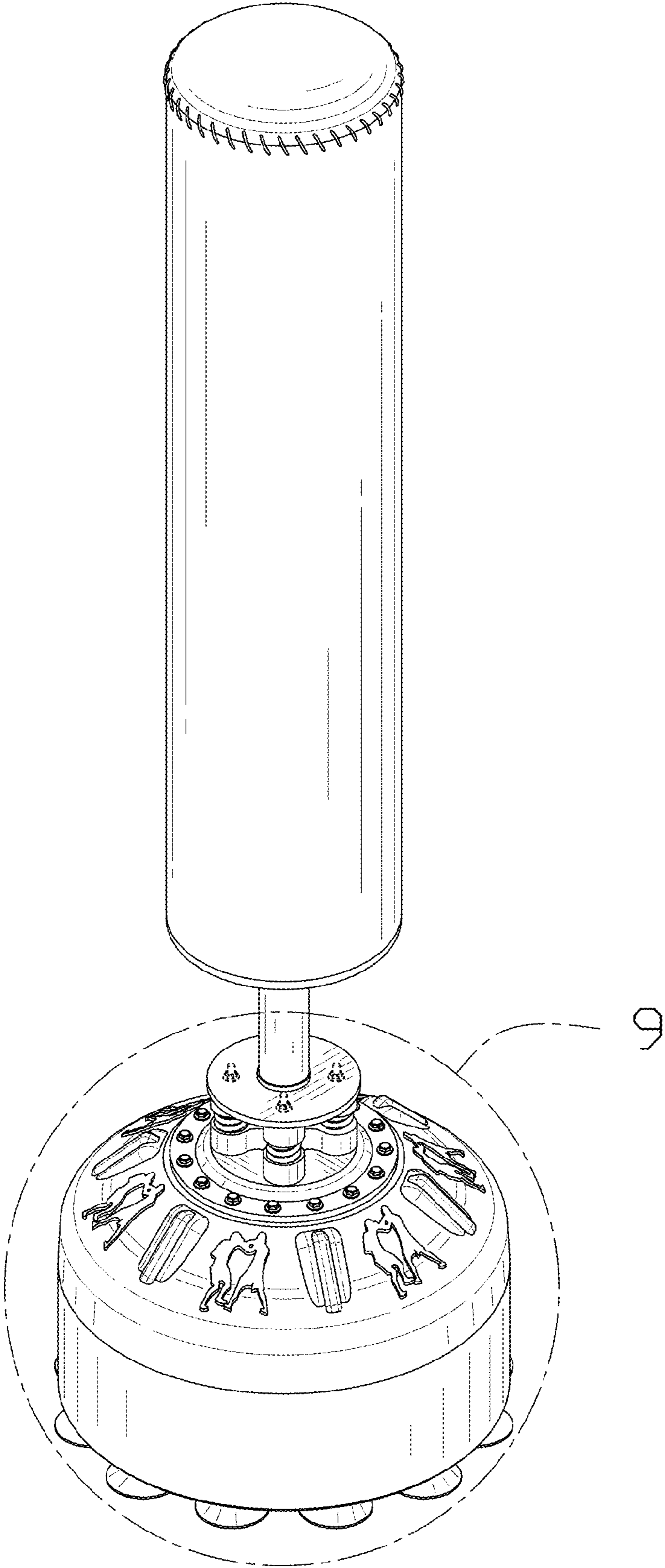
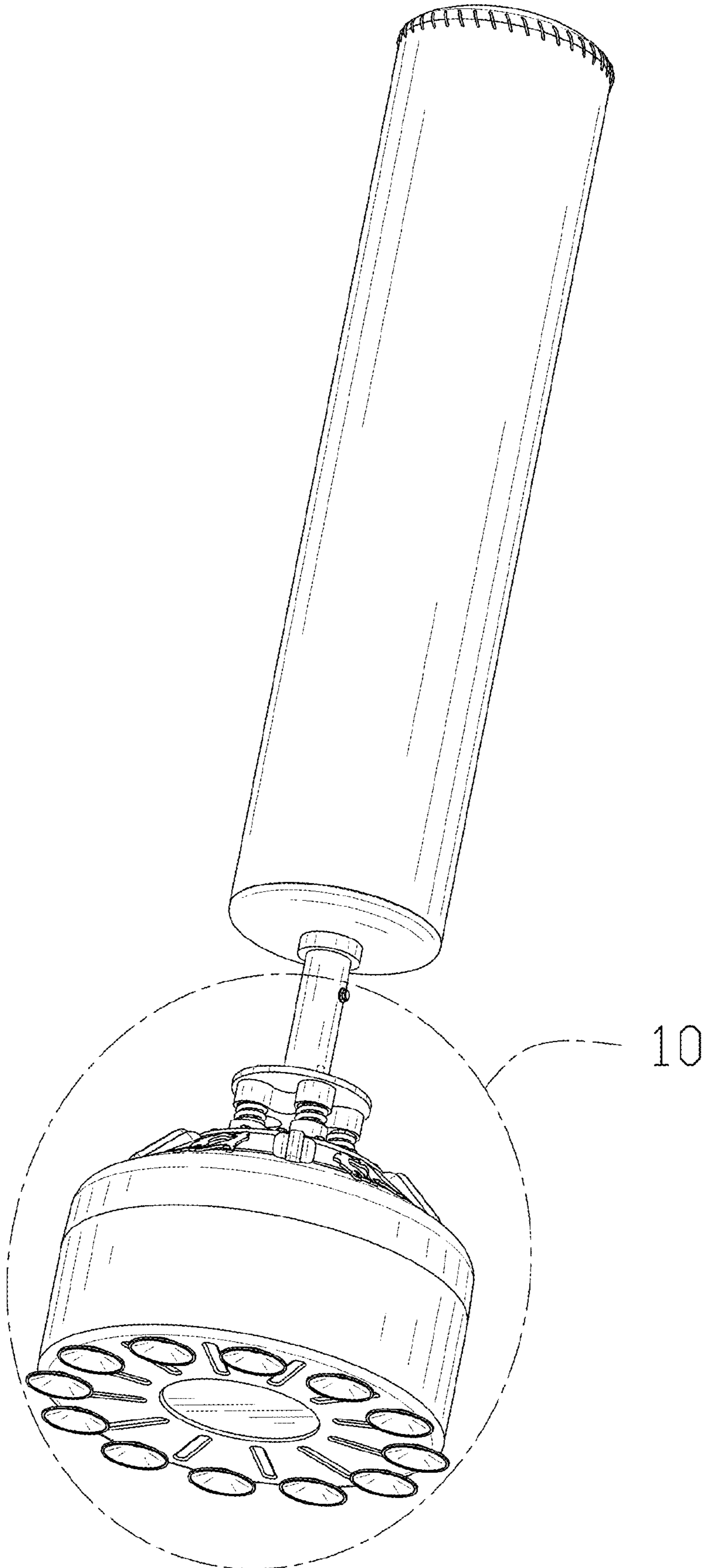


FIG. 1



10

FIG. 2



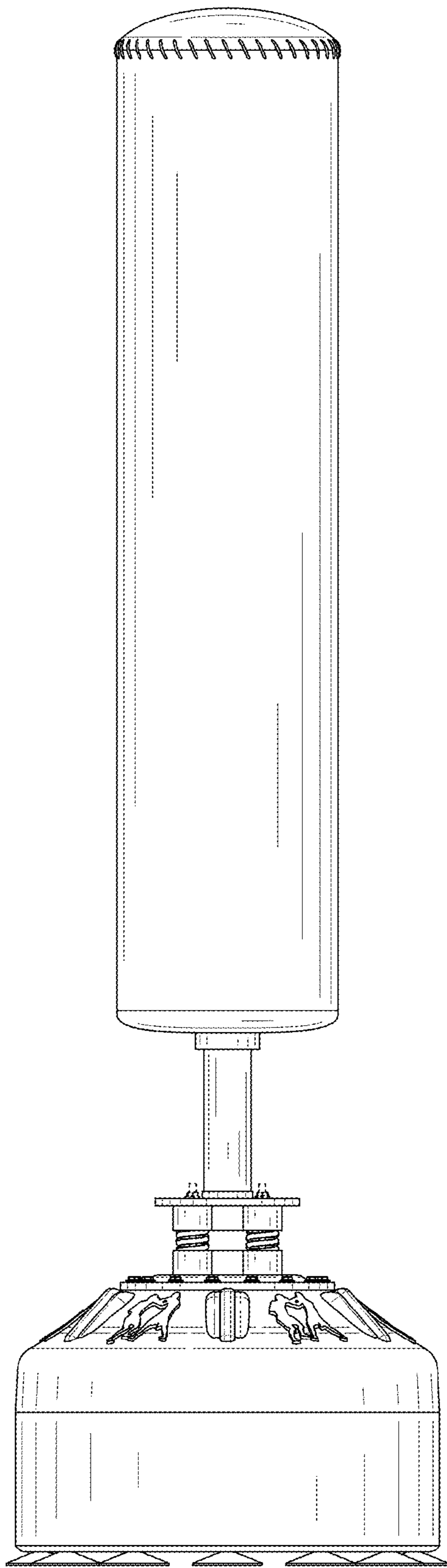


FIG. 3

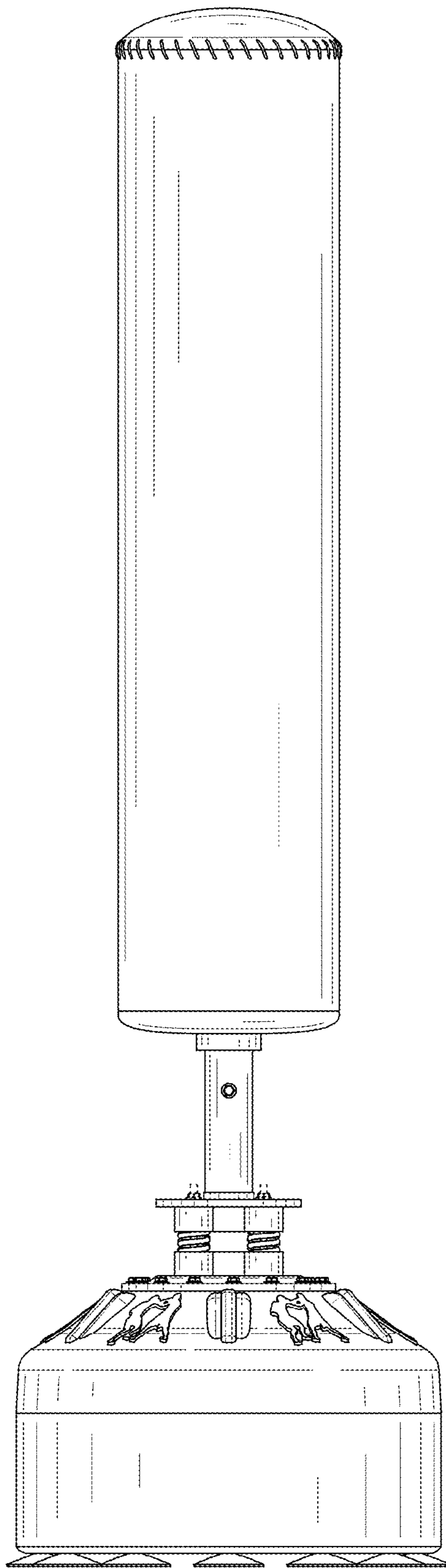


FIG. 4

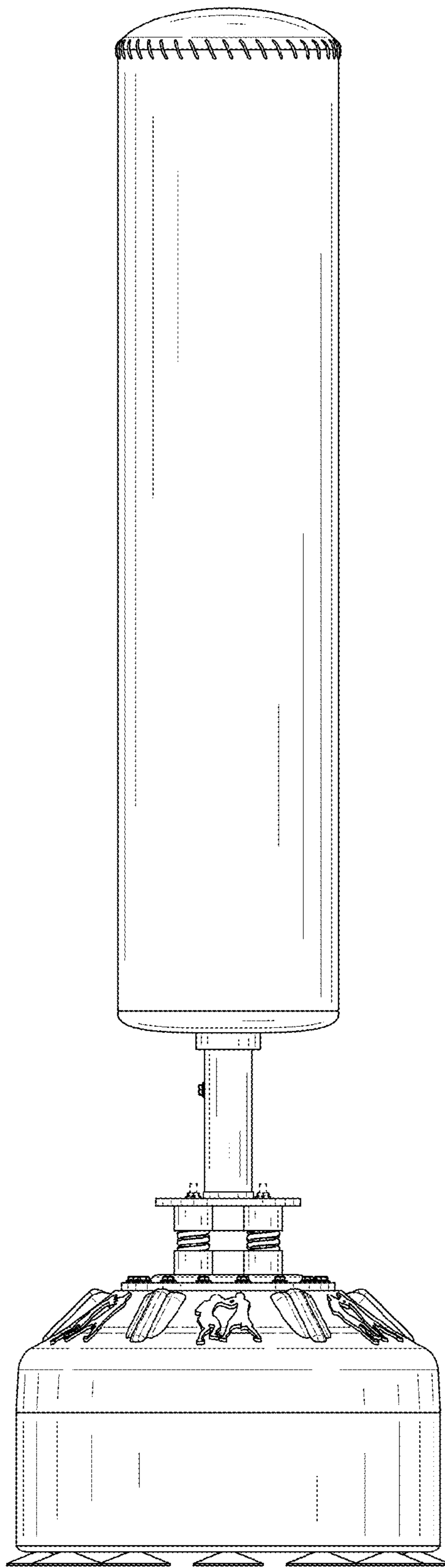


FIG. 5

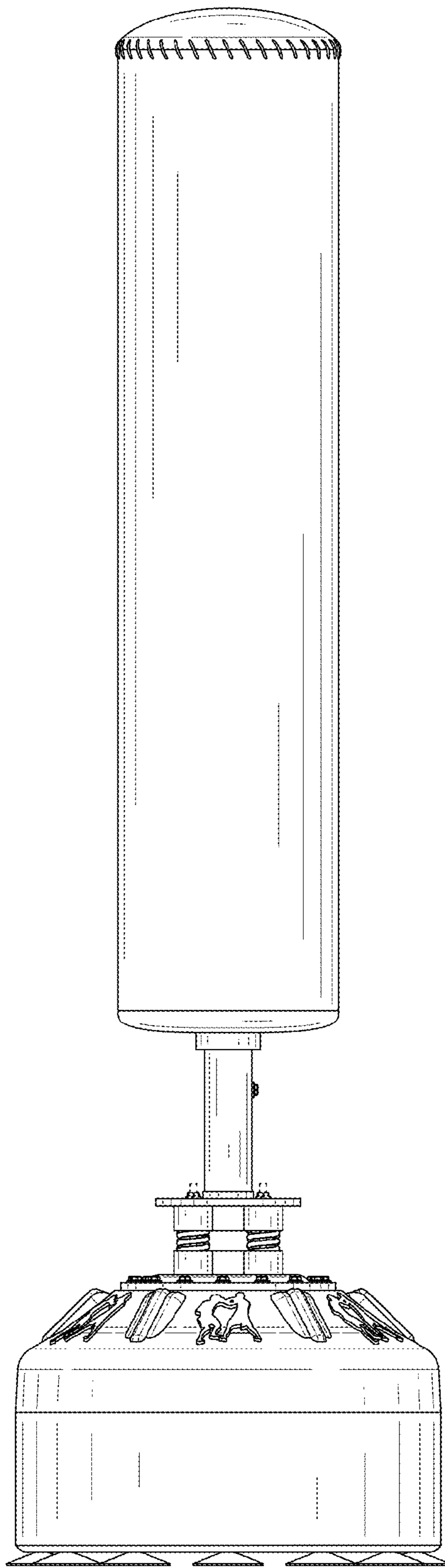


FIG. 6



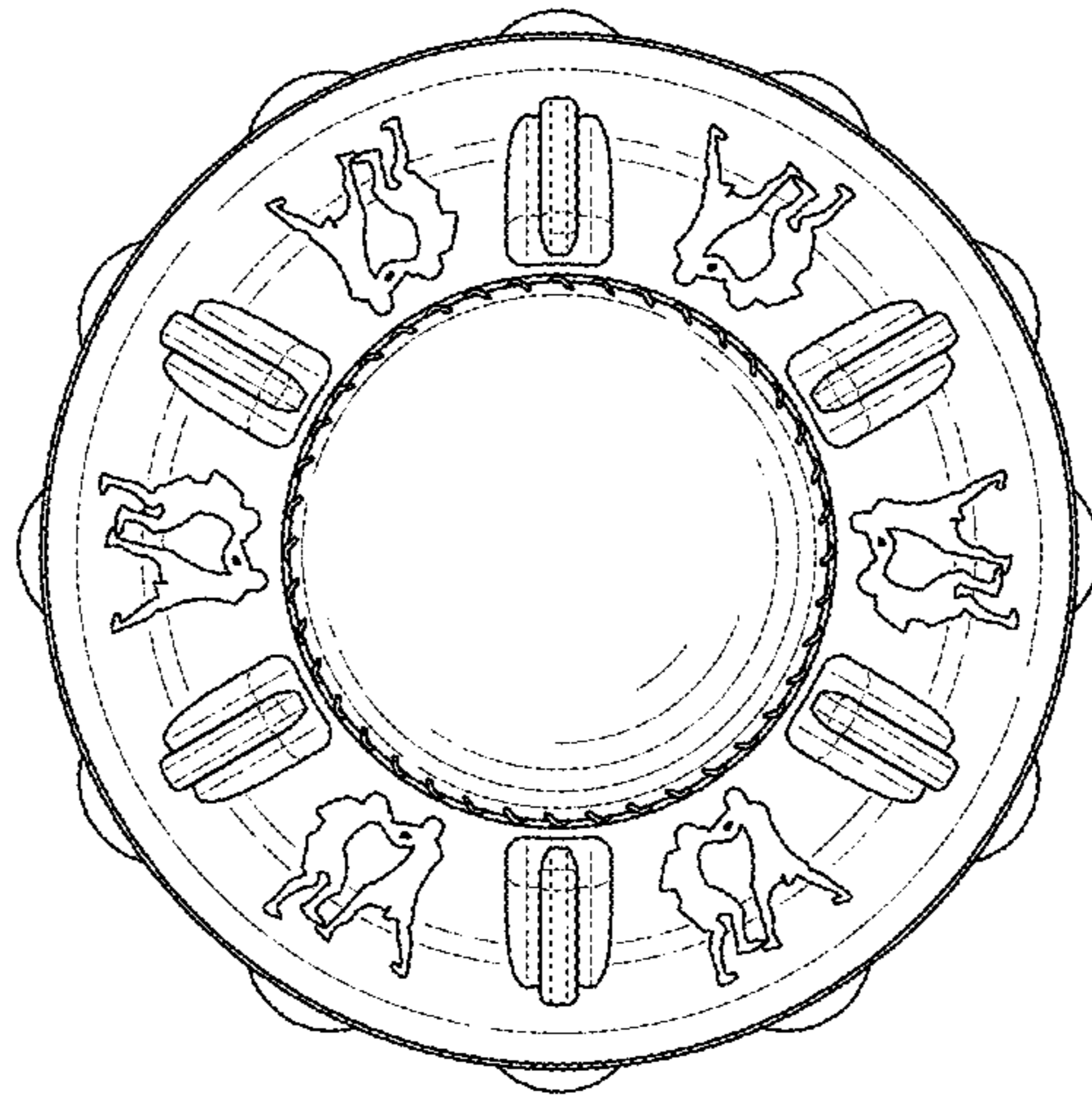


FIG. 7

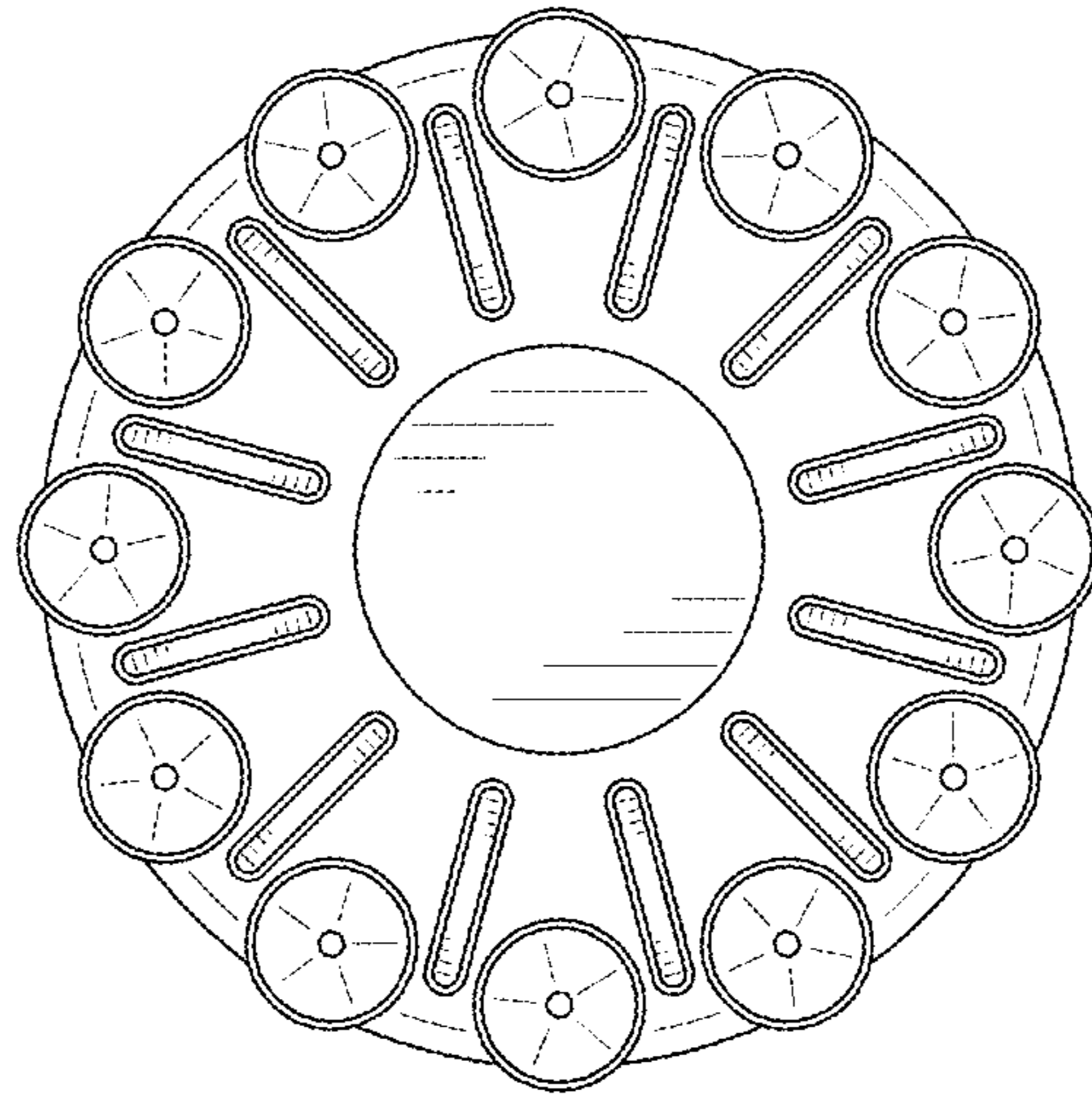


FIG. 8

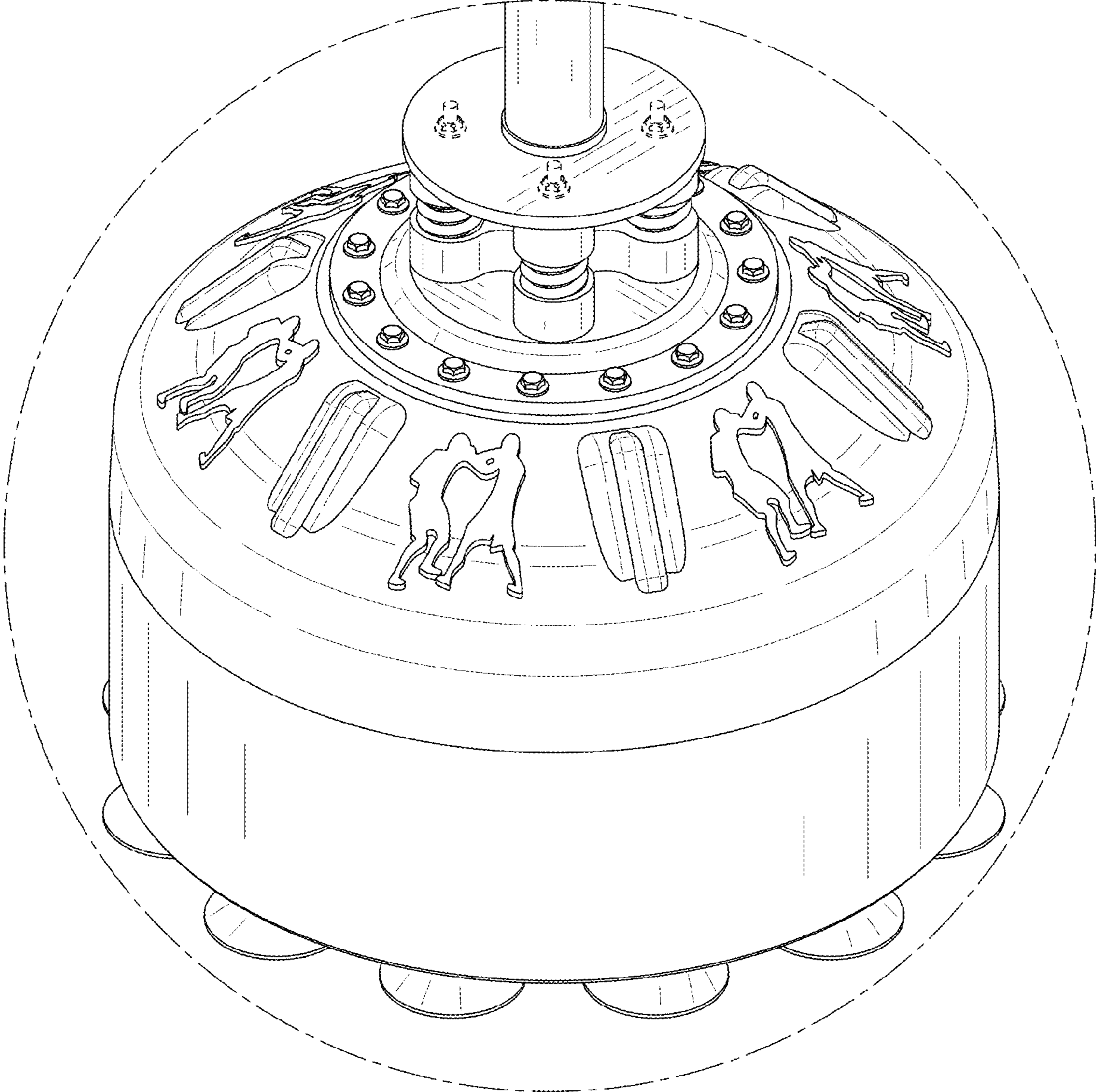


FIG. 9

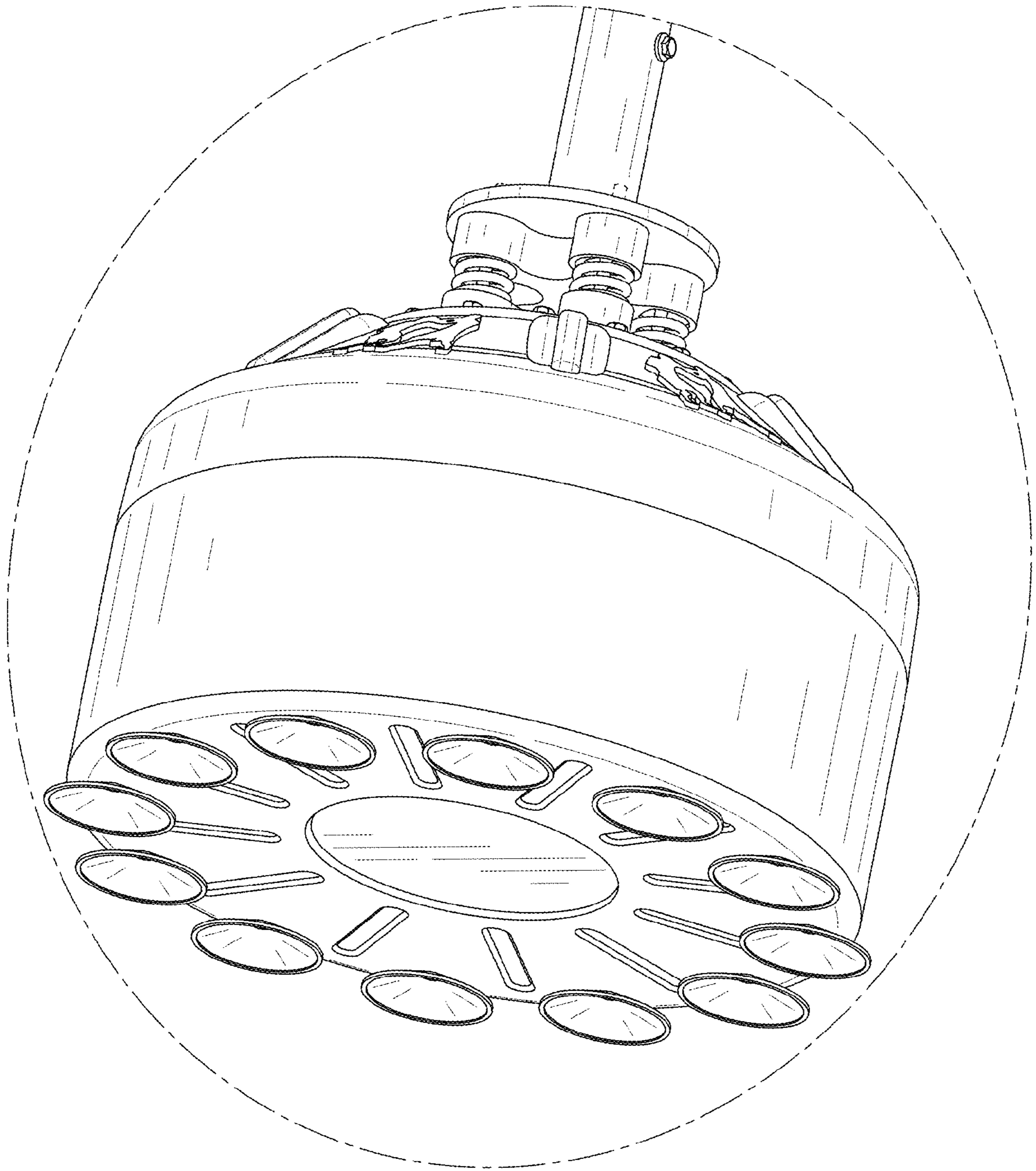


FIG. 10