



US00D912750S

(12) **United States Design Patent**
Hopkins

(10) **Patent No.:** **US D912,750 S**
(45) **Date of Patent:** **** Mar. 9, 2021**

(54) **INFLATABLE WATERCRAFT**

(71) Applicant: **William Lucas Hopkins**, Blacksburg, VA (US)

(72) Inventor: **William Lucas Hopkins**, Blacksburg, VA (US)

(**) Term: **15 Years**

(21) Appl. No.: **29/717,883**

(22) Filed: **Dec. 19, 2019**

Related U.S. Application Data

(63) Continuation of application No. 15/877,797, filed on Jan. 23, 2018, now Pat. No. 10,526,047.

(51) **LOC (13) Cl.** **21-02**

(52) **U.S. Cl.**
USPC **D21/769**

(58) **Field of Classification Search**
USPC D21/769, 770, 801, 803; D12/300, 302, D12/306, 307

CPC A63B 35/71; A63B 35/73; A63B 35/79; A63B 35/7906; A63B 35/7913; A63B 35/7916; A63B 35/792; A63B 32/20; A63B 32/50; A63B 2035/813; A63B 2035/818; A63B 2035/7903

See application file for complete search history.

(56) **References Cited**

U.S. PATENT DOCUMENTS

486,597 A	11/1892	Gamble	
2,513,857 A	7/1950	Friedrich	
4,129,911 A	12/1978	McDonald et al.	
4,251,893 A	2/1981	McCrory et al.	
4,331,340 A *	5/1982	Bolen	A63C 5/03 280/845
4,462,331 A	7/1984	McCrory	

(Continued)

FOREIGN PATENT DOCUMENTS

DE 202012008858 U1 10/2012
DE 202013003514 U1 5/2013

(Continued)

OTHER PUBLICATIONS

“Hala Gear Unveils New Whitewater SUP at Outdoor Retailer”; SUP Examiner; Aug. 11, 2015. <https://supexaminer.com/2015/08/hala-gear-unveils-new-whitewater-sup-at-outdoor-retailer/>.

(Continued)

Primary Examiner — Zenia I Bennett

(74) *Attorney, Agent, or Firm* — New River Valley IP Law, PC; Michele L. Mayberry

(57) **CLAIM**

The ornamental design for an inflatable watercraft, as shown and described.

DESCRIPTION

FIG. 1 is a perspective view of an inflatable watercraft showing my new design.

FIG. 2 is a top plan view of the inflatable watercraft of FIG. 1.

FIG. 3 is a bottom plan view of the inflatable watercraft of FIG. 1.

FIG. 4 is a left side elevation view of inflatable watercraft of FIG. 1.

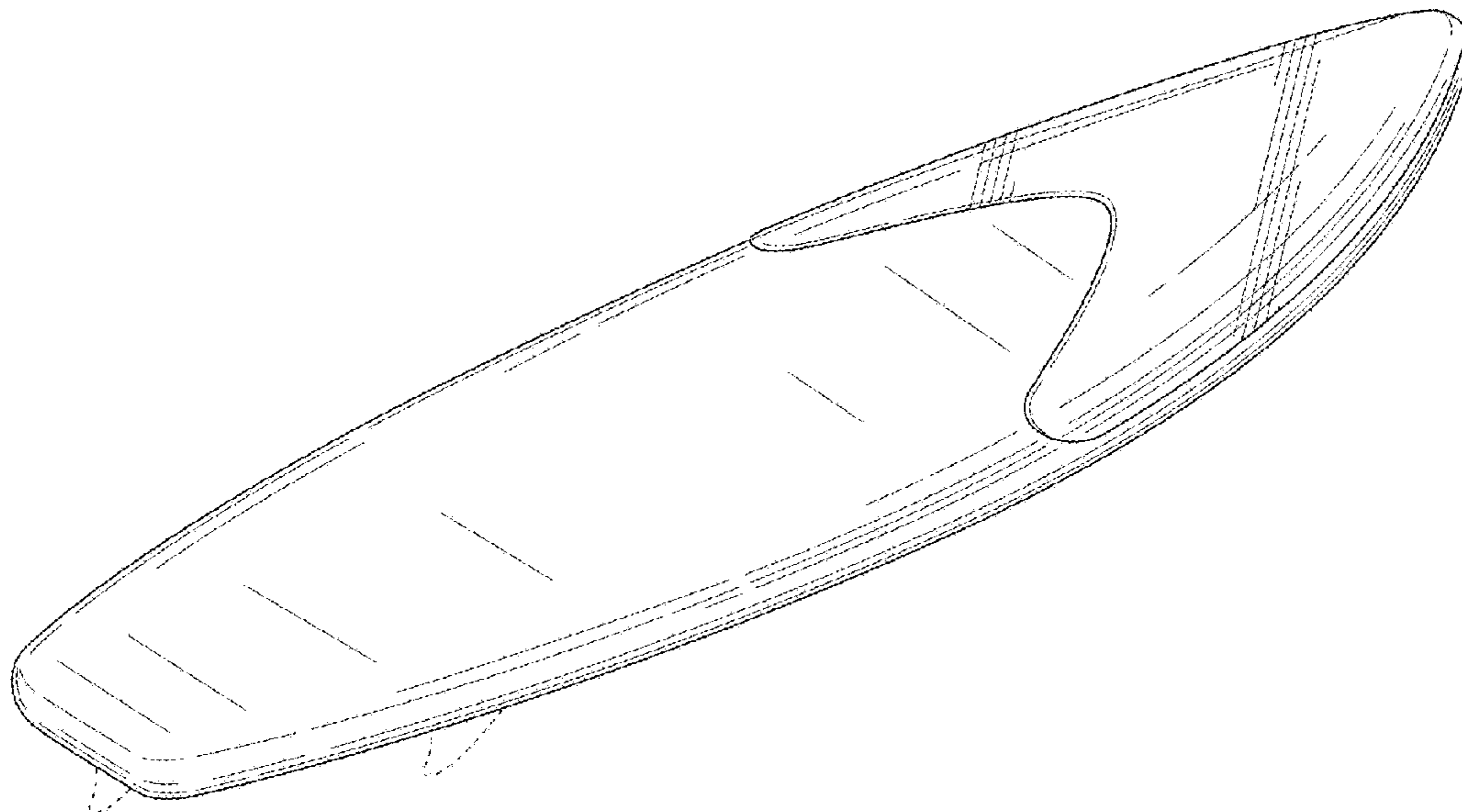
FIG. 5 is a right side elevation view of the inflatable watercraft of FIG. 1.

FIG. 6 is a front elevation view of the inflatable watercraft of FIG. 1; and,

FIG. 7 is a rear elevation view of the inflatable watercraft of FIG. 1.

In the drawings, broken lines depict portions of the inflatable watercraft and form no part of the claimed design.

1 Claim, 5 Drawing Sheets



(56)

References Cited

U.S. PATENT DOCUMENTS

4,998,898 A * 3/1991 Dufrene B63B 1/18
114/271
5,122,085 A * 6/1992 Heath B63B 32/20
441/65
5,127,862 A * 7/1992 Pia B63B 32/50
441/79
D334,419 S * 3/1993 Klein D21/769
5,598,593 A 2/1997 Wolfe
6,073,291 A 6/2000 Davis
6,131,532 A 10/2000 Winner et al.
6,241,568 B1 6/2001 Simms
7,185,600 B2 3/2007 Toussi et al.
7,406,735 B2 8/2008 Lin et al.
7,662,006 B2 2/2010 Mollis
7,861,662 B2 1/2011 Rista
D637,251 S * 5/2011 Bradley D21/769
7,992,511 B2 8/2011 Chon
8,091,502 B2 1/2012 Haller
8,286,573 B2 10/2012 Hoge
8,333,630 B1 12/2012 Bedford
8,591,274 B2 11/2013 Haller et al.
8,800,466 B1 8/2014 Shimozono et al.
8,834,220 B2 9/2014 Haller et al.
8,936,500 B1 1/2015 Ebrahimi
9,114,862 B2 8/2015 Dingel
9,127,471 B1 9/2015 Greer et al.
9,198,518 B1 12/2015 Mayer
9,452,809 B2 9/2016 Hoge
D777,861 S * 1/2017 Sennett D21/769
D834,668 S * 11/2018 Duff D21/769
D847,927 S * 5/2019 Duff D21/769
10,526,047 B2 1/2020 Hopkins
2003/0153221 A1 8/2003 Weir
2005/0023177 A1 2/2005 Kiger et al.
2006/0144313 A1 7/2006 Toussi et al.
2007/0169274 A1 7/2007 Boso et al.
2009/0004936 A1 1/2009 Mollis
2009/0007837 A1 1/2009 Haller
2009/0031941 A1 2/2009 Czarnowski et al.
2009/0049757 A1 2/2009 Potter
2009/0078186 A1 3/2009 Rista
2011/0036284 A1 2/2011 Chon
2015/0344139 A1 12/2015 Coleman
2016/0200405 A1 7/2016 Kim
2018/0208272 A1 7/2018 Hopkins

FOREIGN PATENT DOCUMENTS

DE 202014006268 U1 8/2014
DE 202013007221 U1 11/2014
EP 1752600 A1 2/2007
EP 2808245 A1 12/2014
EP 2852525 B1 4/2016
GB 427142 A 4/1935
WO 8403868 A1 10/1984
WO 2009156789 A1 12/2009
WO 2014169386 A1 10/2014
WO 2016145239 A1 9/2016

OTHER PUBLICATIONS

“Hala Luya”. Google Image Search. Dec. 2016. <http://halagear.com/product/hala-luya-big-waterinflatable-whitewater-board/>.
“Siren Supsurfing”. Google Image Search. Dec. 2016. <http://siren-supsurfing.com/stand-up-paddle-boards>.
Co-pending U.S. Appl. No. 15/877,797, filed Jan. 23, 2018, Final office action dated Jun. 3, 2019, 6 pgs.
Co-pending U.S. Appl. No. 15/877,797, filed Jan. 23, 2018, Interview summary dated Jul. 22, 2019, 5 pgs.
Co-pending U.S. Appl. No. 15/877,797, filed Jan. 23, 2018, Non-final office action and references cited dated Feb. 8, 2019, 10 pgs.
Co-pending U.S. Appl. No. 15/877,797, filed Jan. 23, 2018, Non-final office action and references cited dated Oct. 15, 2018, 15 pgs.
Co-pending U.S. Appl. No. 15/877,797, filed Jan. 23, 2018, Notice of Allowance dated Sep. 3, 2019, 7 pgs.
Co-pending U.S. Appl. No. 15/877,797, filed Jan. 23, 2018, Response to Oct. 15, 2018 non-final office action dated Jan. 15, 2019, 11 pgs.
Co-pending U.S. Appl. No. 15/877,797, filed Jan. 23, 2018, Response to Feb. 8, 2019 Non-final office action dated May 8, 2019, 9 pgs.
Co-pending U.S. Appl. No. 15/877,797, filed Jan. 23, 2018, Response to Jun. 3, 2019 Final office action with RCE dated Jun. 3, 2019, 8 pgs.
Hopkins, William Lucas, Co-pending U.S. Appl. No. 15/877,79 , filed Jan. 23, 2018, Specification, Claims, Drawings.
Hopkins, William Lucas, Co-pending U.S. Appl. No. 29/715,762, filed Dec. 4, 2019, Specification, Claims, Drawings.
Hopkins, William Lucas, Co-pending U.S. Appl. No. 29/717,888, filed Dec. 19, 2019, Specification, Claims, Drawings.
Hopkins, William Lucas, Co-pending U.S. Appl. No. 29/717,893, filed Dec. 19, 2019, Specification, Claims, Drawings.

* cited by examiner

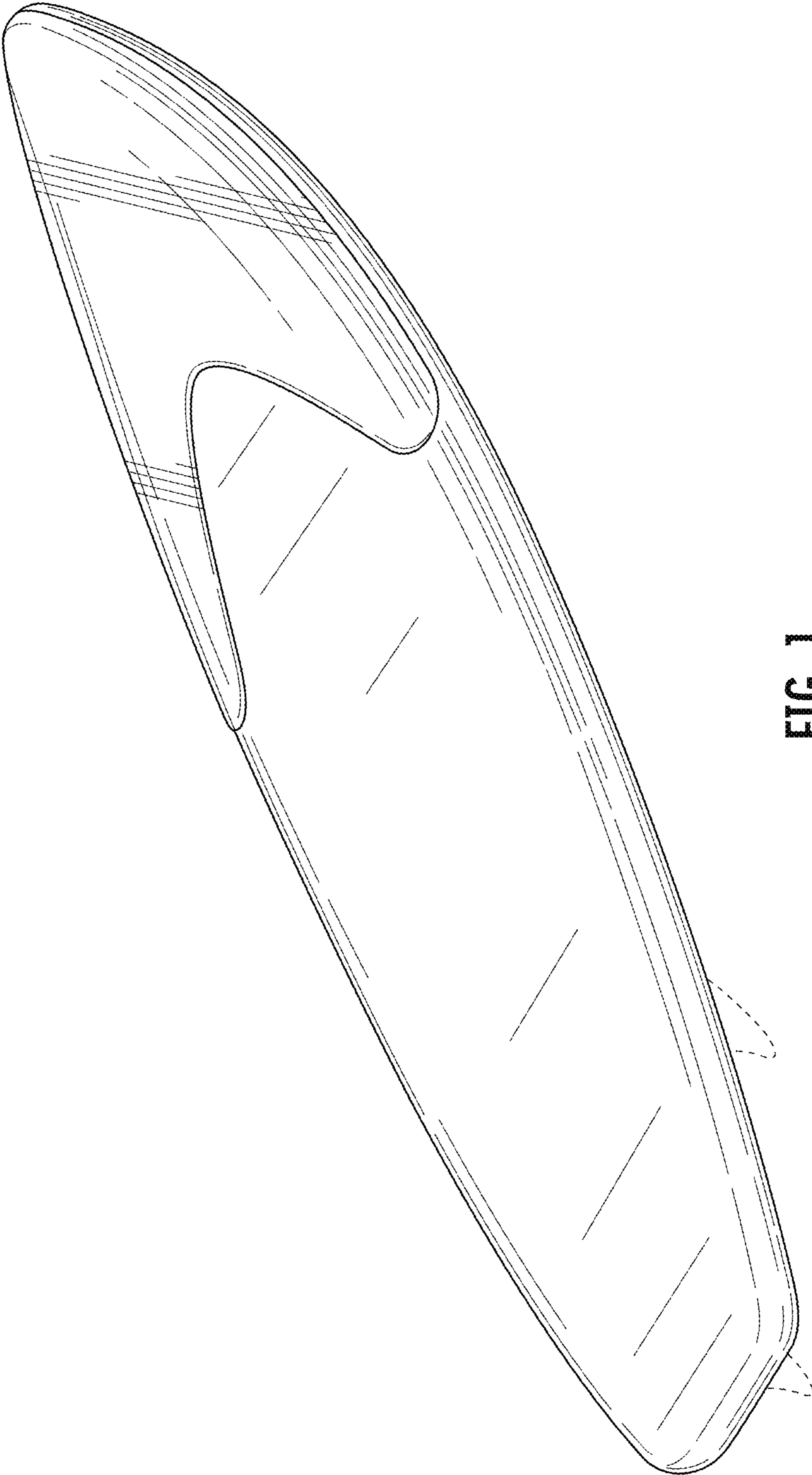


FIG. 1

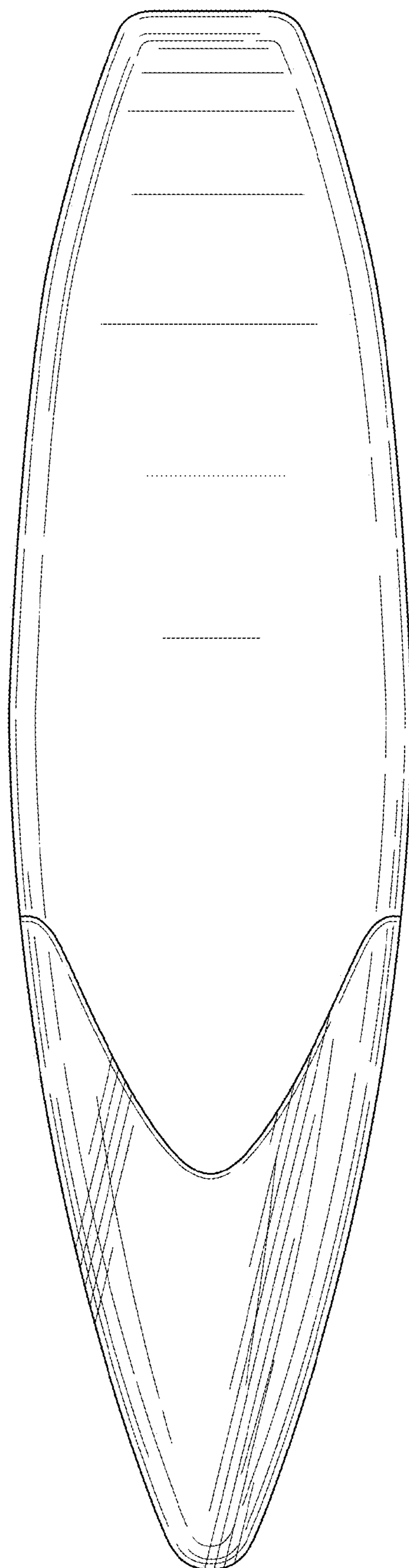


FIG. 2

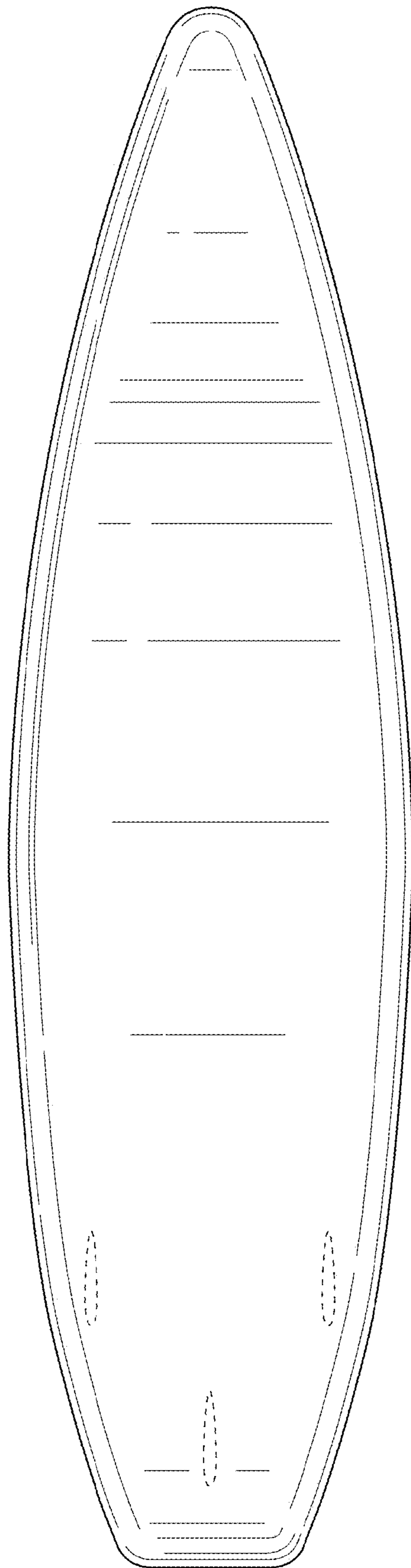


FIG. 3

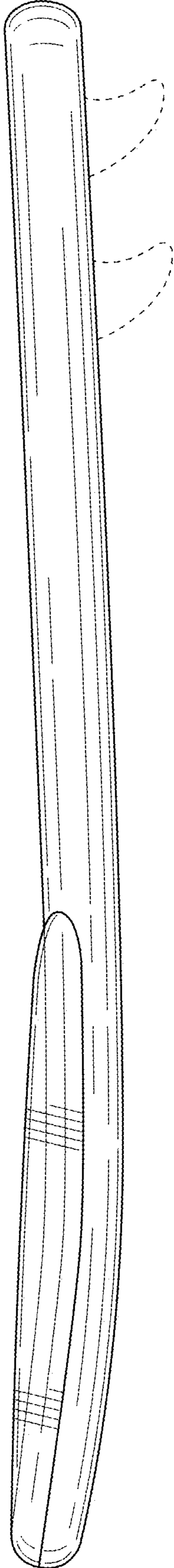


FIG. 4

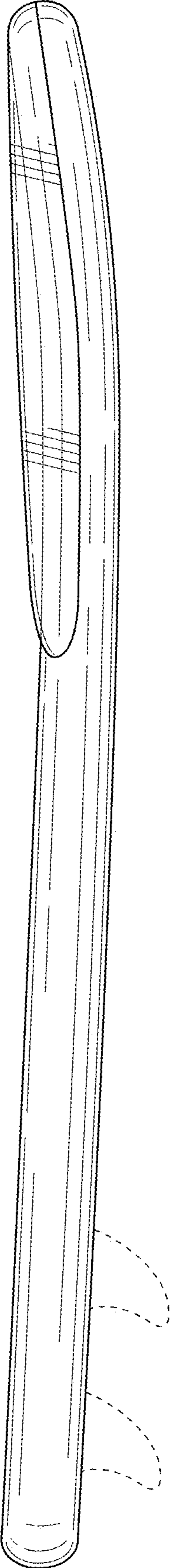


FIG. 5

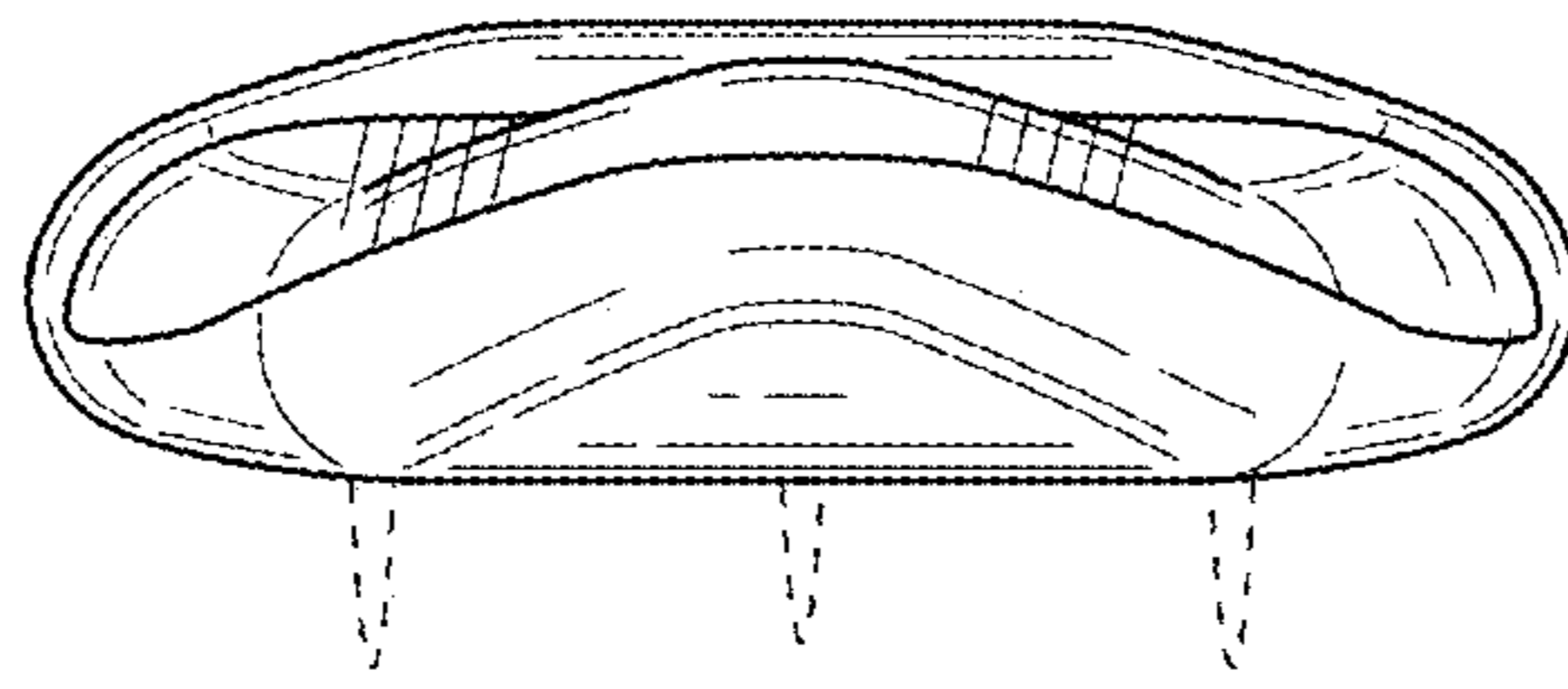


FIG. 6

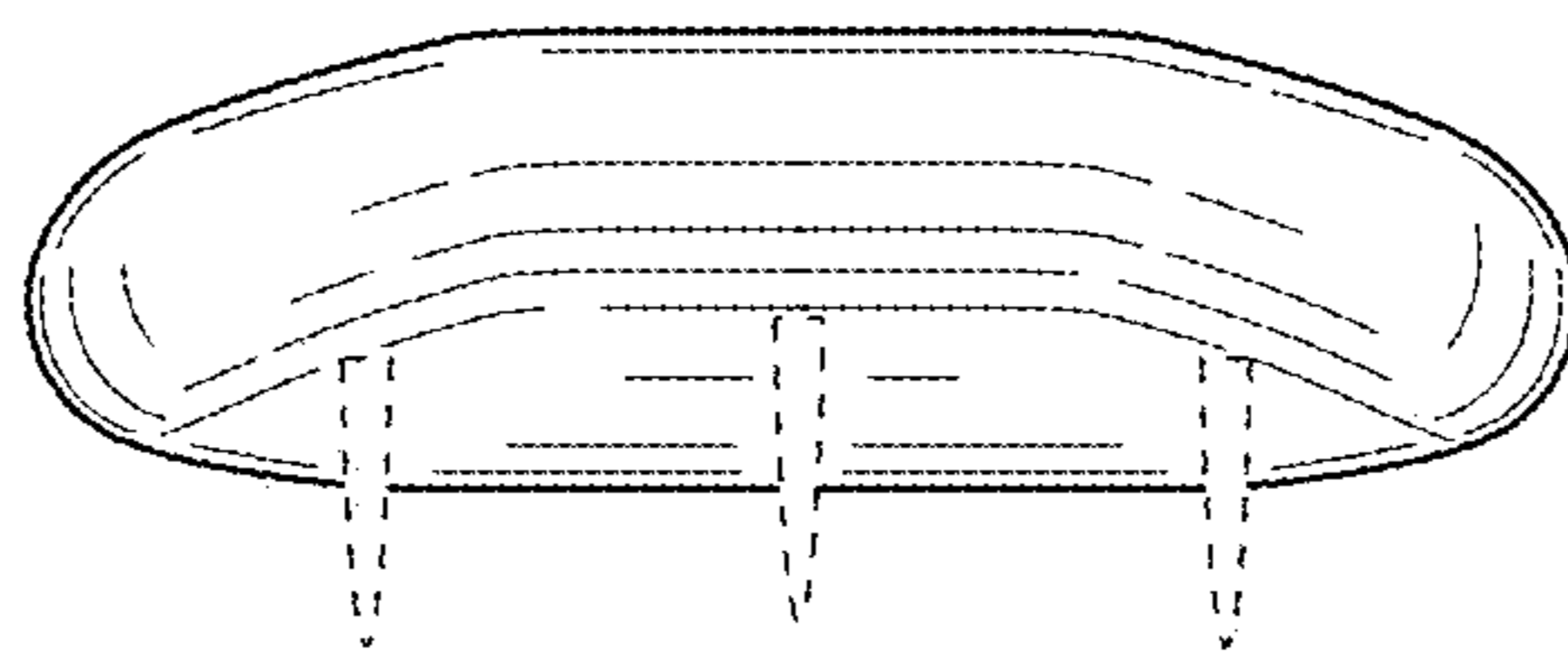


FIG. 7