



US00D912747S

(12) **United States Design Patent**
Iwankow et al.

(10) **Patent No.:** **US D912,747 S**

(45) **Date of Patent:** **** Mar. 9, 2021**

(54) **PUTTER HEAD**

(71) Applicant: **Quantum Force Golf, LLC**, Sanford, NC (US)

(72) Inventors: **Kevin M. Iwankow**, Southampton, NY (US); **Tad Moore**, Selma, AL (US); **David Bass**, Creedmoor, NC (US); **Donald Worsley**, Cary, NC (US)

(73) Assignee: **Quantum Force Golf, LLC**, Sanford, NC (US)

(**) Term: **15 Years**

(21) Appl. No.: **29/697,990**

(22) Filed: **Jul. 12, 2019**

(51) **LOC (13) Cl.** **21-02**

(52) **U.S. Cl.**
USPC **D21/744**

(58) **Field of Classification Search**
USPC D21/736-746, 759
CPC A63B 53/00; A63B 53/04; A63B 53/007;
A63B 53/065; A63B 53/0487; A63B
60/00; A63B 60/46
See application file for complete search history.

(56) **References Cited**

U.S. PATENT DOCUMENTS

D295,204 S * 4/1988 Brayak D21/746
D338,936 S * 8/1993 Smith D21/735

D342,772 S * 12/1993 Koehler D21/740
D343,667 S * 1/1994 Koehler D21/742
D344,562 S * 2/1994 Koehler D21/742
D346,191 S * 4/1994 Bryant D21/744
D360,668 S * 7/1995 Hattori D21/741
D406,868 S * 3/1999 Nelson D21/738
D837,912 S * 1/2019 Clarke D21/736

* cited by examiner

Primary Examiner — Mitchell I. Siegel

(74) *Attorney, Agent, or Firm* — Williams Mullen; F. Michael Sajovec

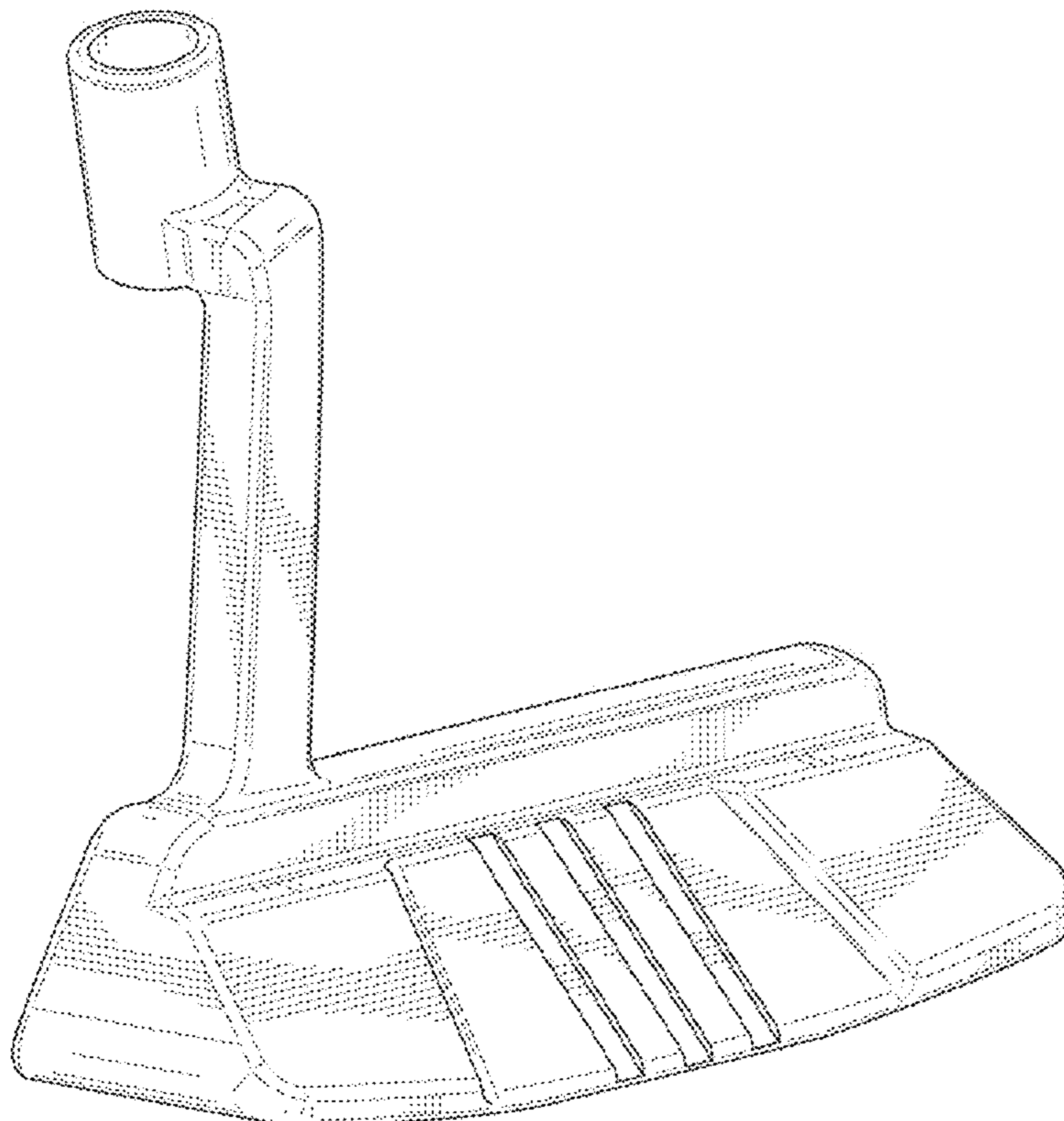
(57) **CLAIM**

The ornamental design for a putter head, as shown and described.

DESCRIPTION

FIG. 1 is a top perspective view of a putter head, showing my new design.
FIG. 2 is a front elevation view of the putter head of FIG. 1.
FIG. 3 is a rear elevation view of the putter head of FIG. 1.
FIG. 4 is a left-side elevation view of the putter head of FIG. 1.
FIG. 5 is a right-side elevation view of the putter head of FIG. 1.
FIG. 6 is a top plan view of the putter head of FIG. 1, and, FIG. 7 is a bottom plan view of the putter head of FIG. 1.

1 Claim, 7 Drawing Sheets



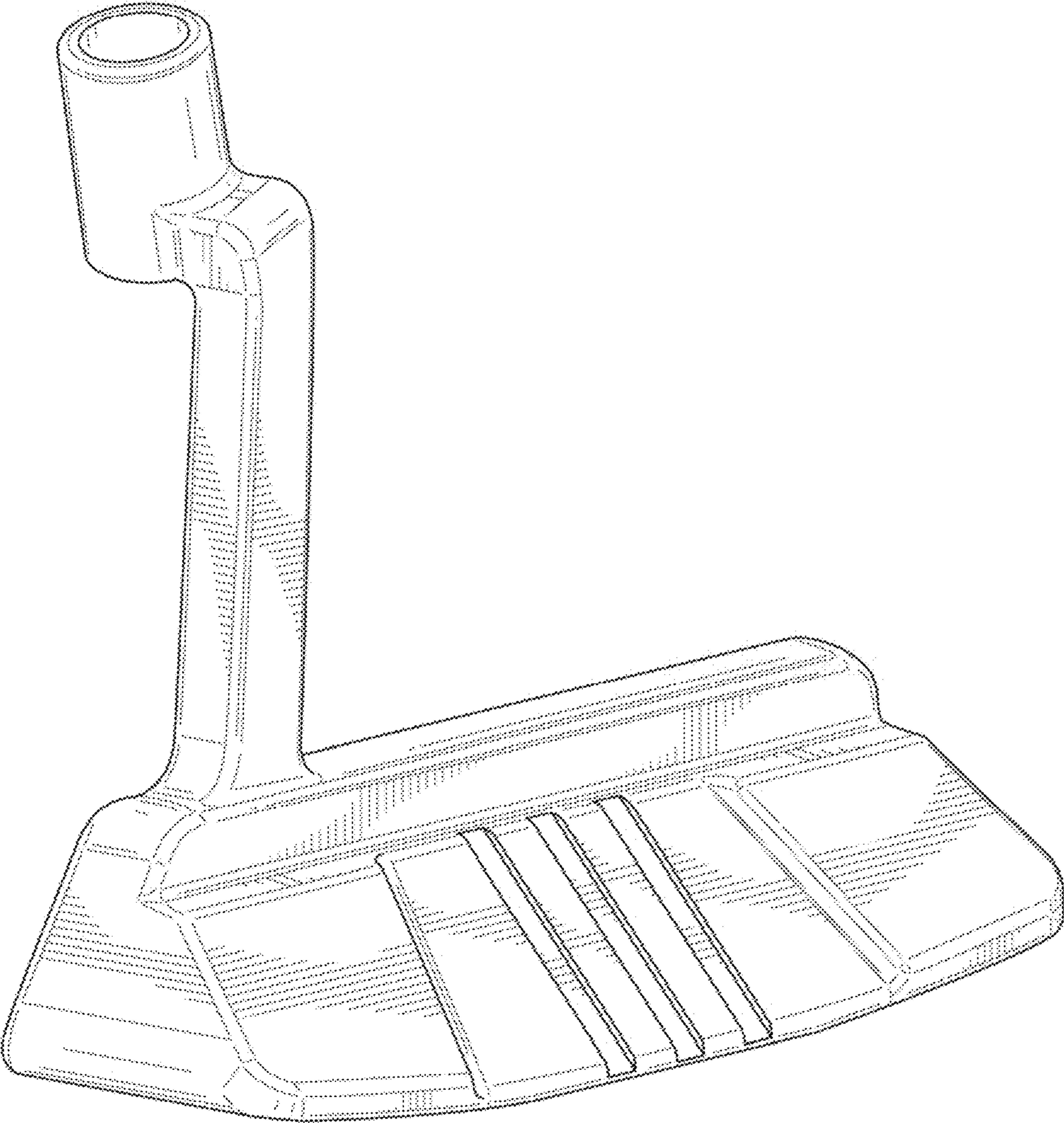


FIG. 1

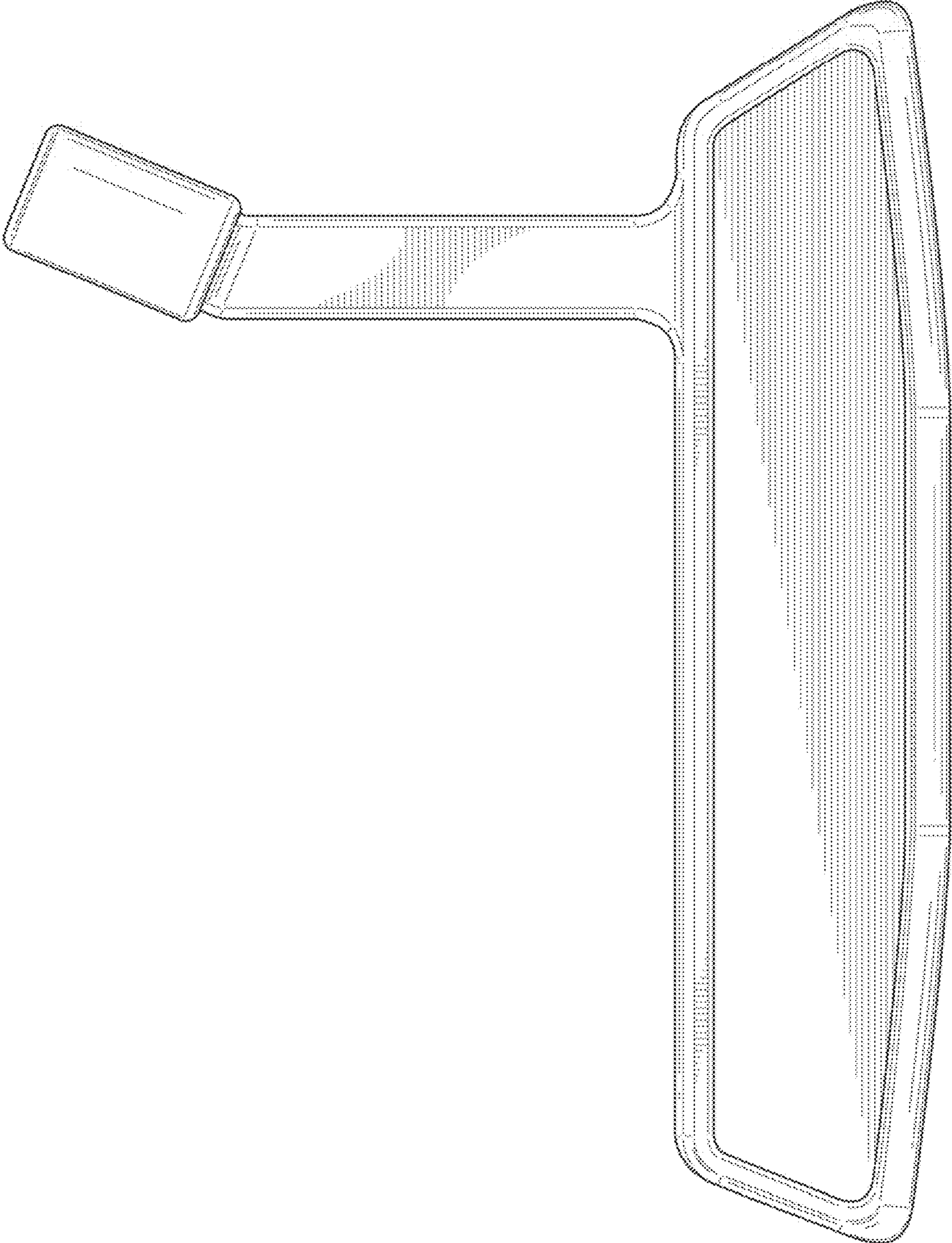


FIG. 2

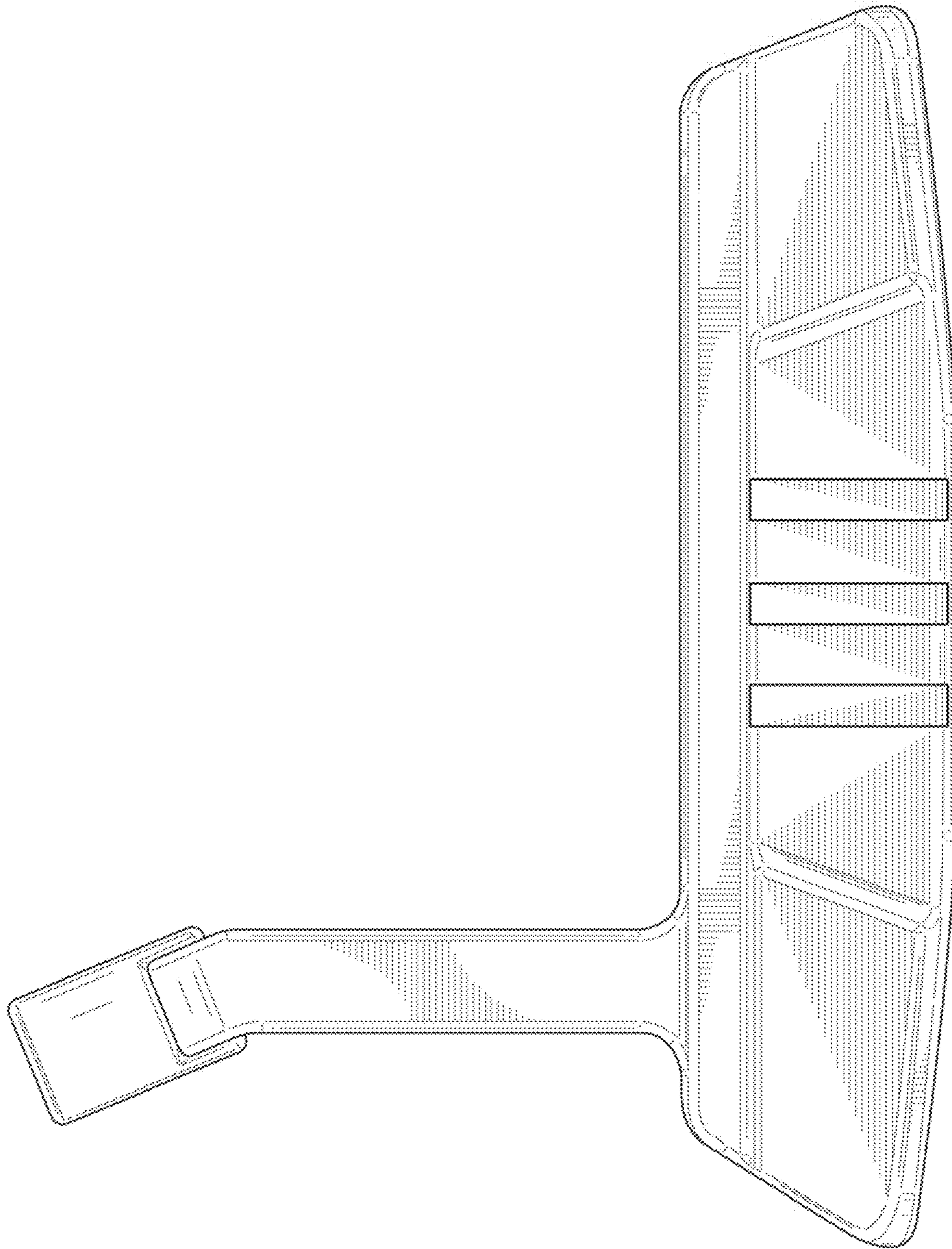


FIG. 3

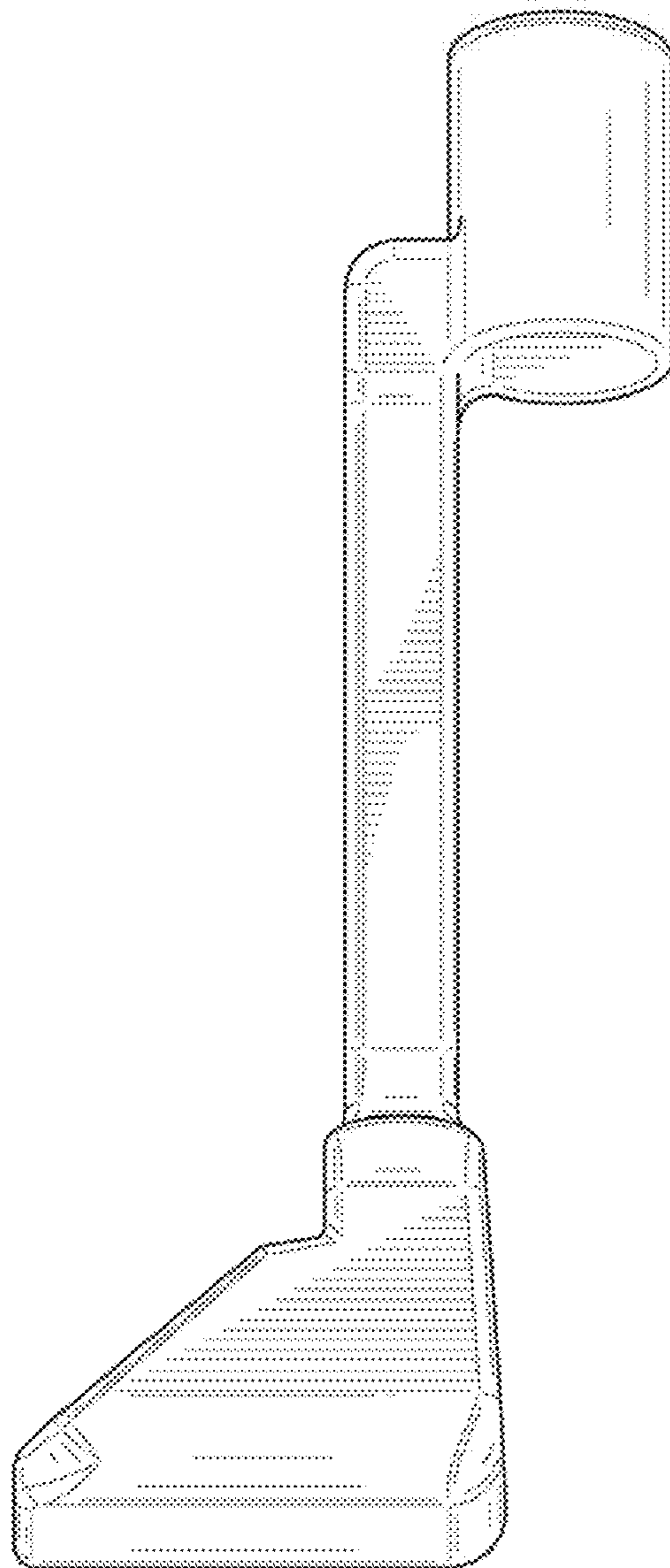


FIG. 4

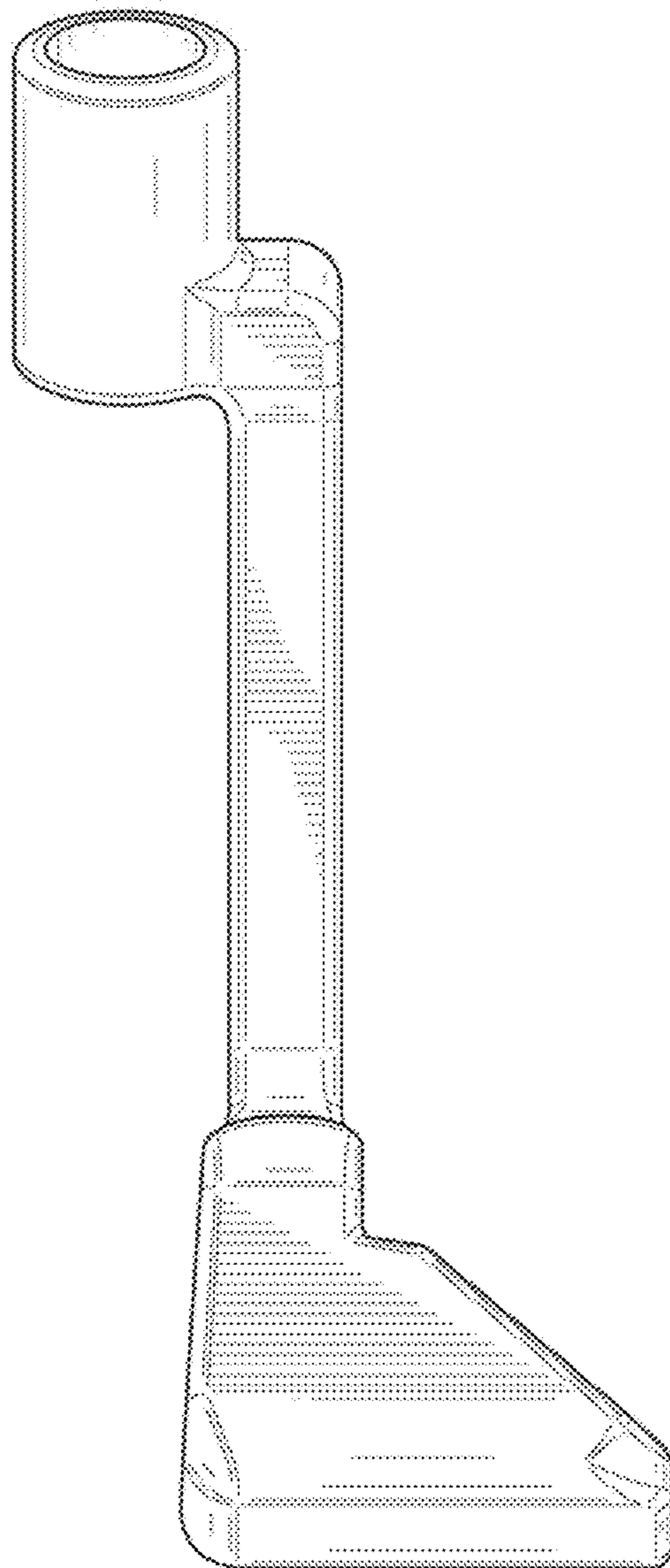


FIG. 5

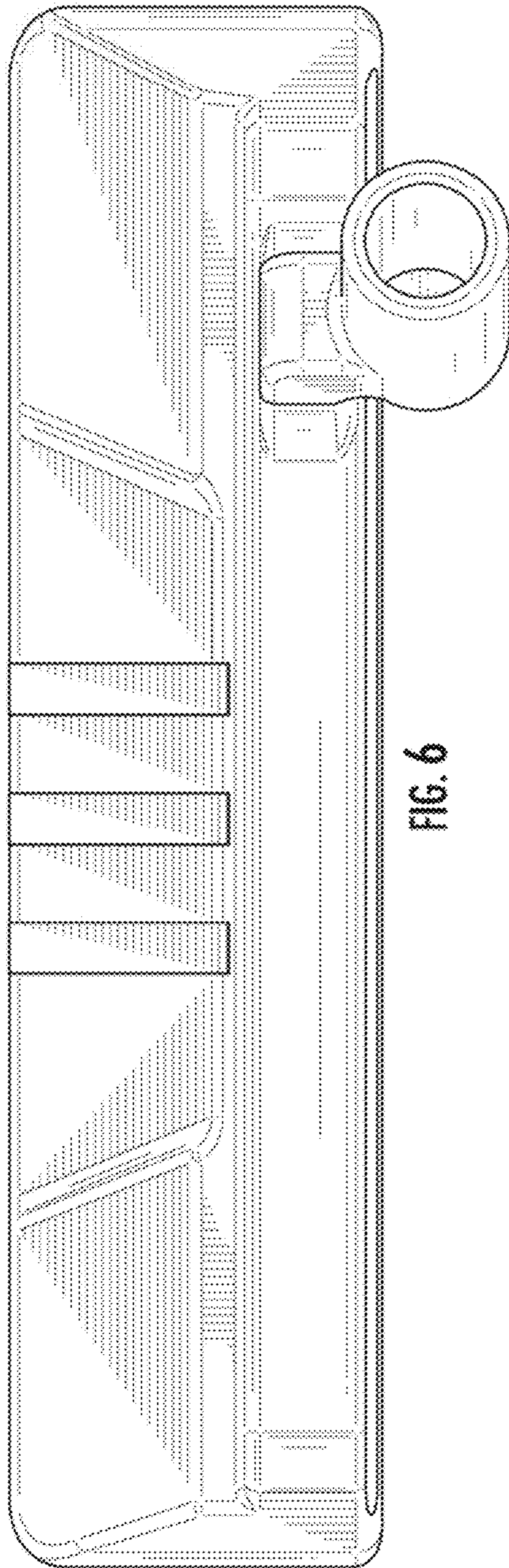


FIG. 6

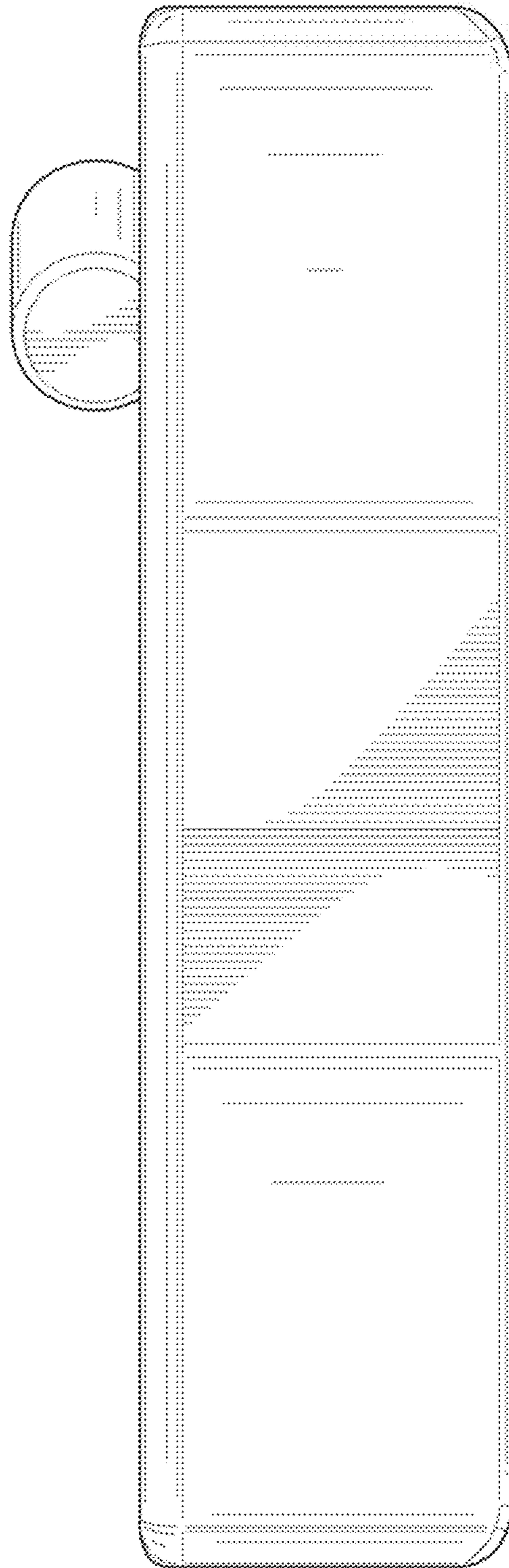


FIG. 7