



US00D912746S

(12) **United States Design Patent**
Toulon et al.

(10) **Patent No.:** **US D912,746 S**
(45) **Date of Patent:** **** Mar. 9, 2021**

- (54) **PUTTER HEAD**
- (71) Applicant: **Callaway Golf Company**, Carlsbad, CA (US)
- (72) Inventors: **Sean Toulon**, Vista, CA (US); **Augustin W. Rollinson**, Solana Beach, CA (US); **Joseph Edward Toulon**, San Marcos, CA (US); **Anthony J. Toulon**, Carlsbad, CA (US)
- (73) Assignee: **Callaway Golf Company**, Carlsbad, CA (US)
- (**) Term: **15 Years**
- (21) Appl. No.: **29/702,653**
- (22) Filed: **Aug. 21, 2019**
- (51) **LOC (13) Cl.** **21-02**
- (52) **U.S. Cl.**
USPC **D21/743**
- (58) **Field of Classification Search**
USPC D21/736-746, 759
CPC A63B 53/00; A63B 53/04; A63B 53/007;
A63B 53/065; A63B 53/0487; A63B
60/00; A63B 60/46
See application file for complete search history.

7,927,226	B1	*	4/2011	Twitty	A63B 53/0487 473/251
D643,893	S	*	8/2011	Rollinson	D21/742
D648,407	S	*	11/2011	Teramoto	D21/743
D691,225	S	*	10/2013	Hilton	D21/736
D769,383	S	*	10/2016	Abbott	D21/743
D796,597	S	*	9/2017	Serrano	D21/736
D817,424	S	*	5/2018	Toulon	D21/759
D818,551	S	*	5/2018	Toulon	D21/759
D832,379	S	*	10/2018	Jertson	D21/736
D837,315	S	*	1/2019	Rollinson	D21/743
D857,135	S	*	8/2019	Serrano	D21/736
D869,581	S	*	12/2019	Aguilar	D21/743
D869,582	S	*	12/2019	Rollinson	D21/743
D869,583	S	*	12/2019	Rollinson	D21/743
D874,590	S	*	2/2020	Lee	D21/743
D898,845	S	*	10/2020	Clarke	D21/743
D905,184	S	*	12/2020	Rollinson	D21/744
2017/0266517	A1	*	9/2017	Bischmann	A63B 53/0487
2020/0101357	A1	*	4/2020	Higdon	A63B 53/065

* cited by examiner

Primary Examiner — Mitchell I. Siegel
(74) *Attorney, Agent, or Firm* — Rebecca Hanovice;
Michael Catania; Sonia Lari

(57) **CLAIM**

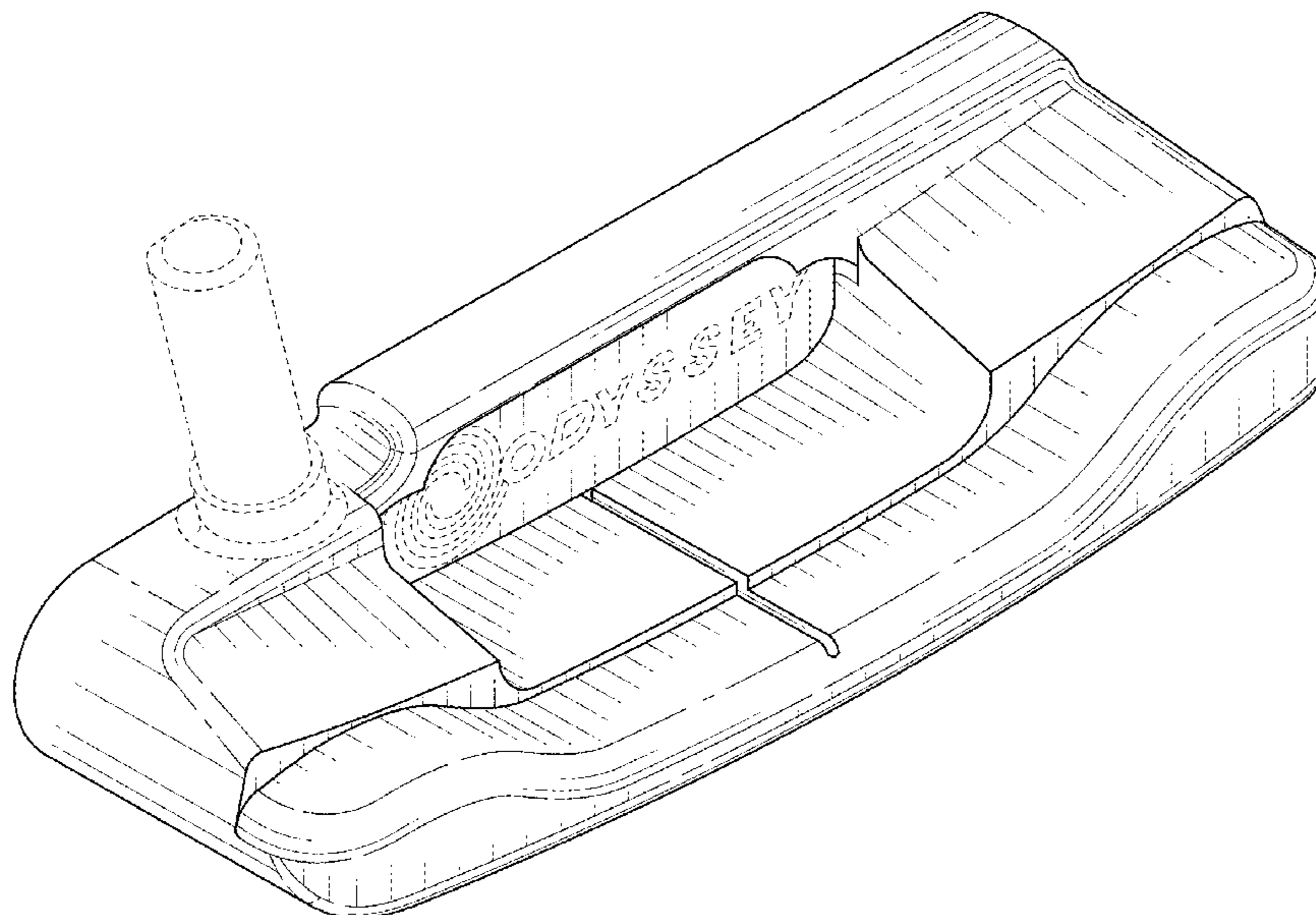
The ornamental design for a putter head, as shown and described.

DESCRIPTION

FIG. 1 is a rear perspective view of the putter head claimed herein;
FIG. 2 is a rear elevational view thereof;
FIG. 3 is a front elevational view thereof;
FIG. 4 is a right side elevational view thereof;
FIG. 5 is a left side elevational view thereof;
FIG. 6 is a top plan view thereof; and,
FIG. 7 is a bottom plan view thereof.
The broken lines shown on the drawing figures form no part of the claimed design.

1 Claim, 4 Drawing Sheets

- (56) **References Cited**
U.S. PATENT DOCUMENTS
- D389,207 S * 1/1998 Cameron D21/742
- D443,906 S * 6/2001 Hettinger D21/743
- D449,085 S * 10/2001 Breier D21/744
- D521,580 S * 5/2006 Burrows D21/736
- D548,294 S * 8/2007 Nguyen D21/736
- D552,196 S * 10/2007 Hueber D21/742
- D583,887 S * 12/2008 Cameron D21/743
- D590,462 S * 4/2009 Hettinger D21/743
- D620,993 S * 8/2010 Laub D21/746



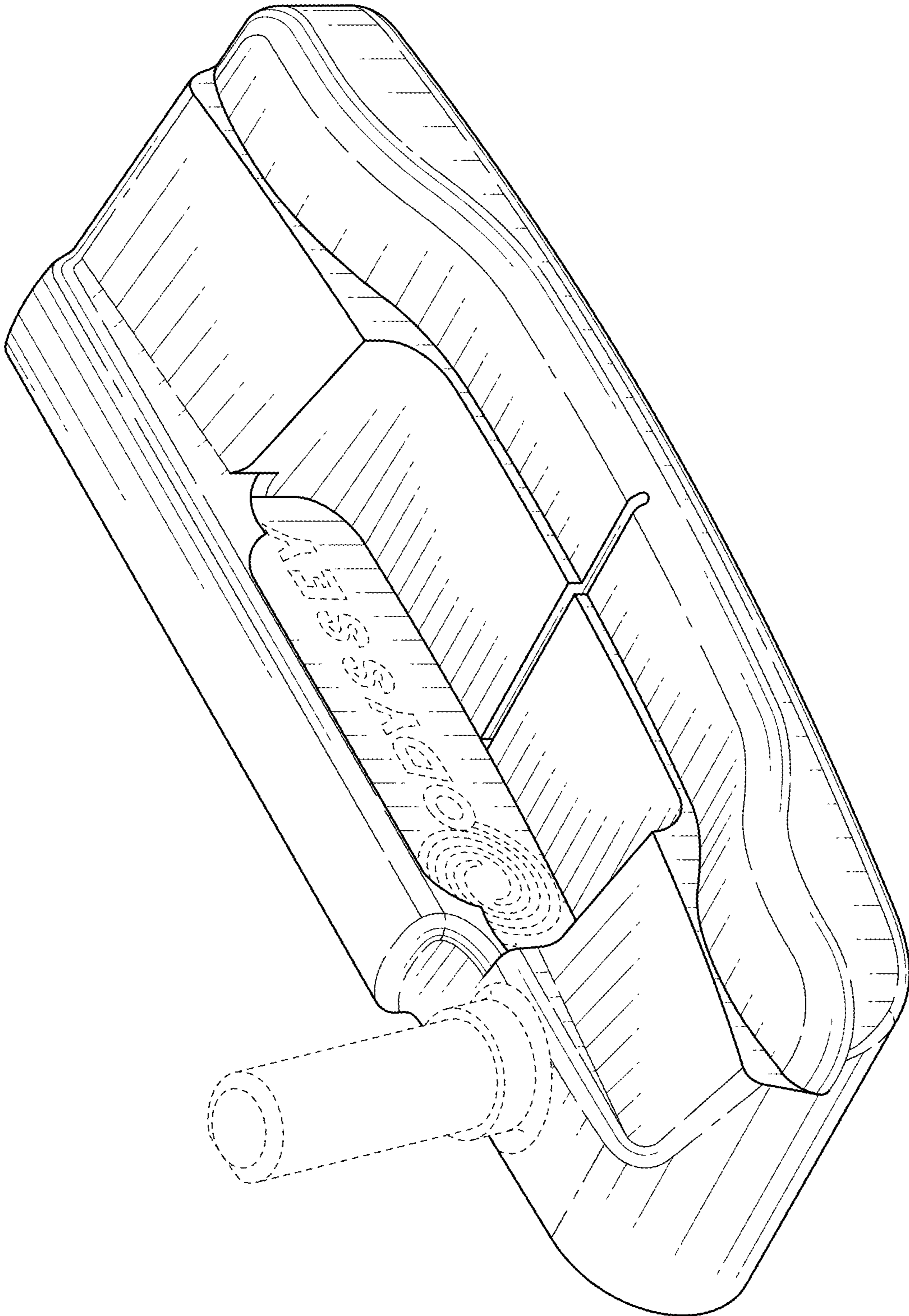


FIG. 1

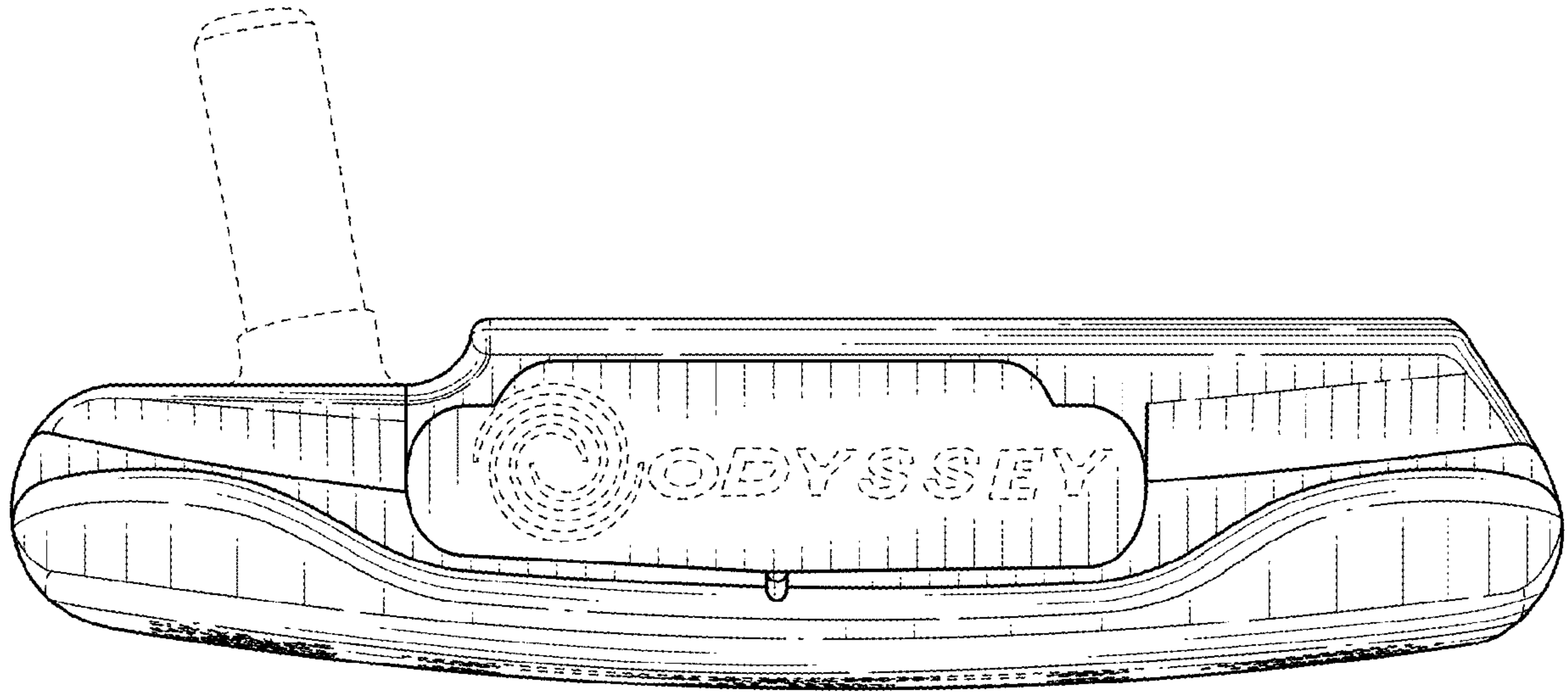


FIG. 2

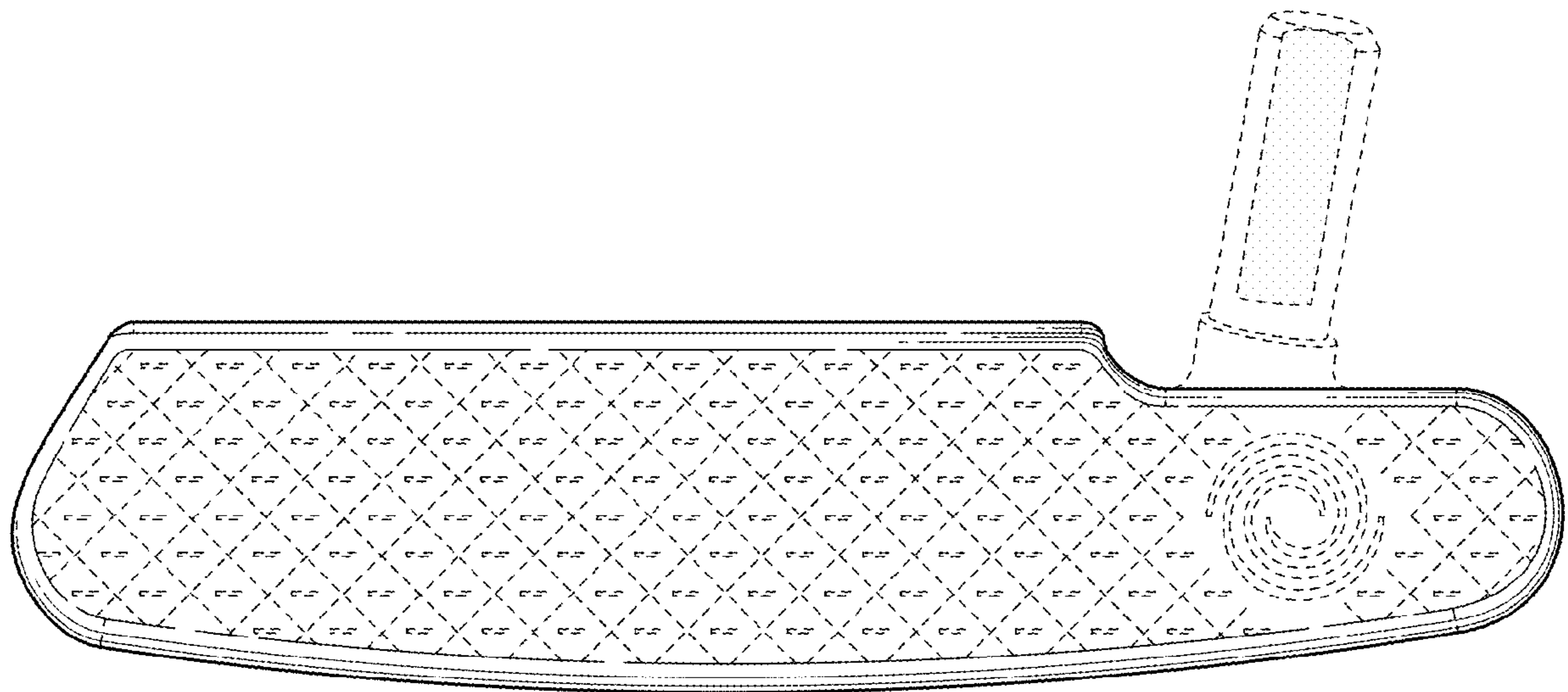


FIG. 3

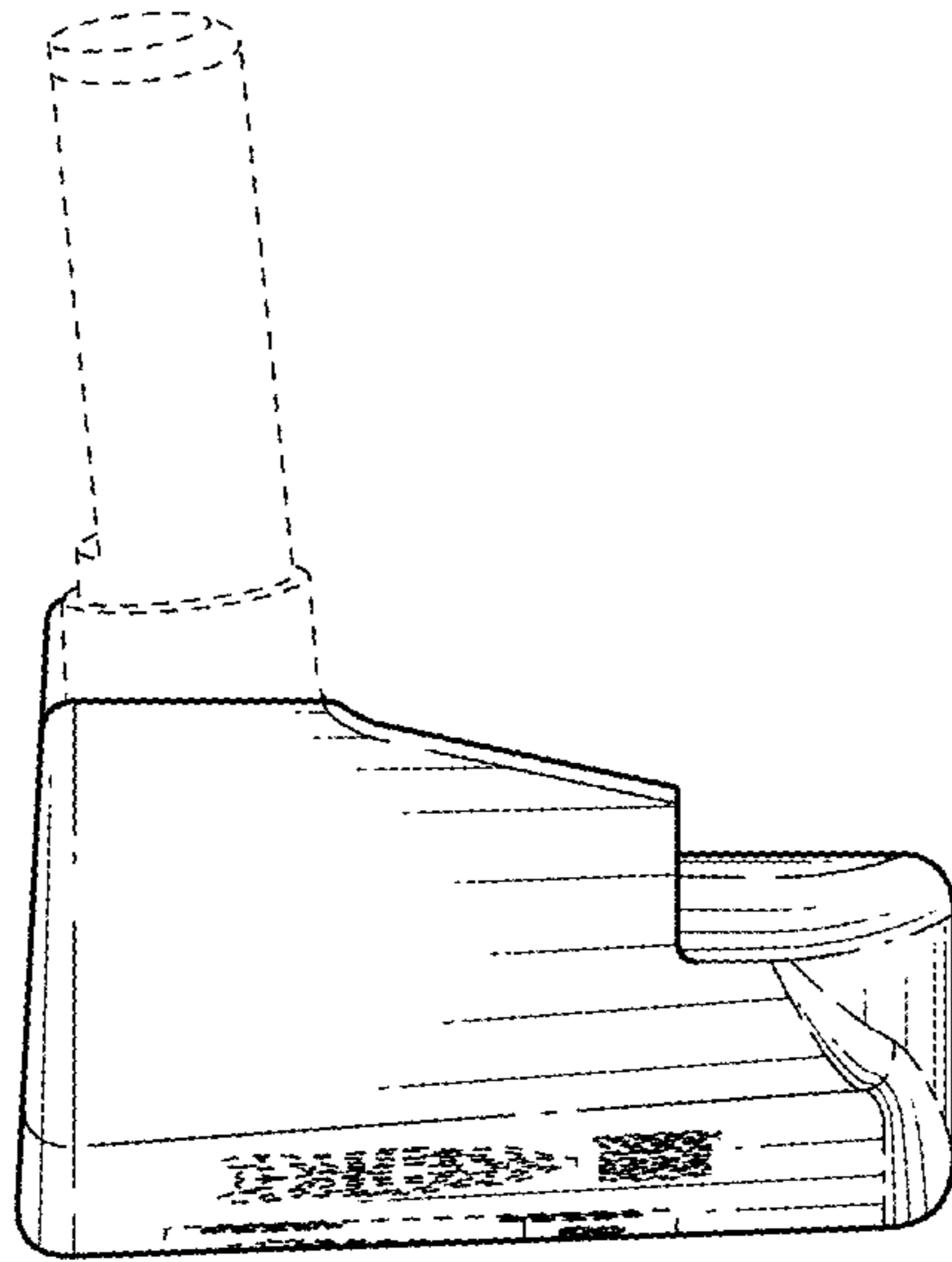


FIG. 4

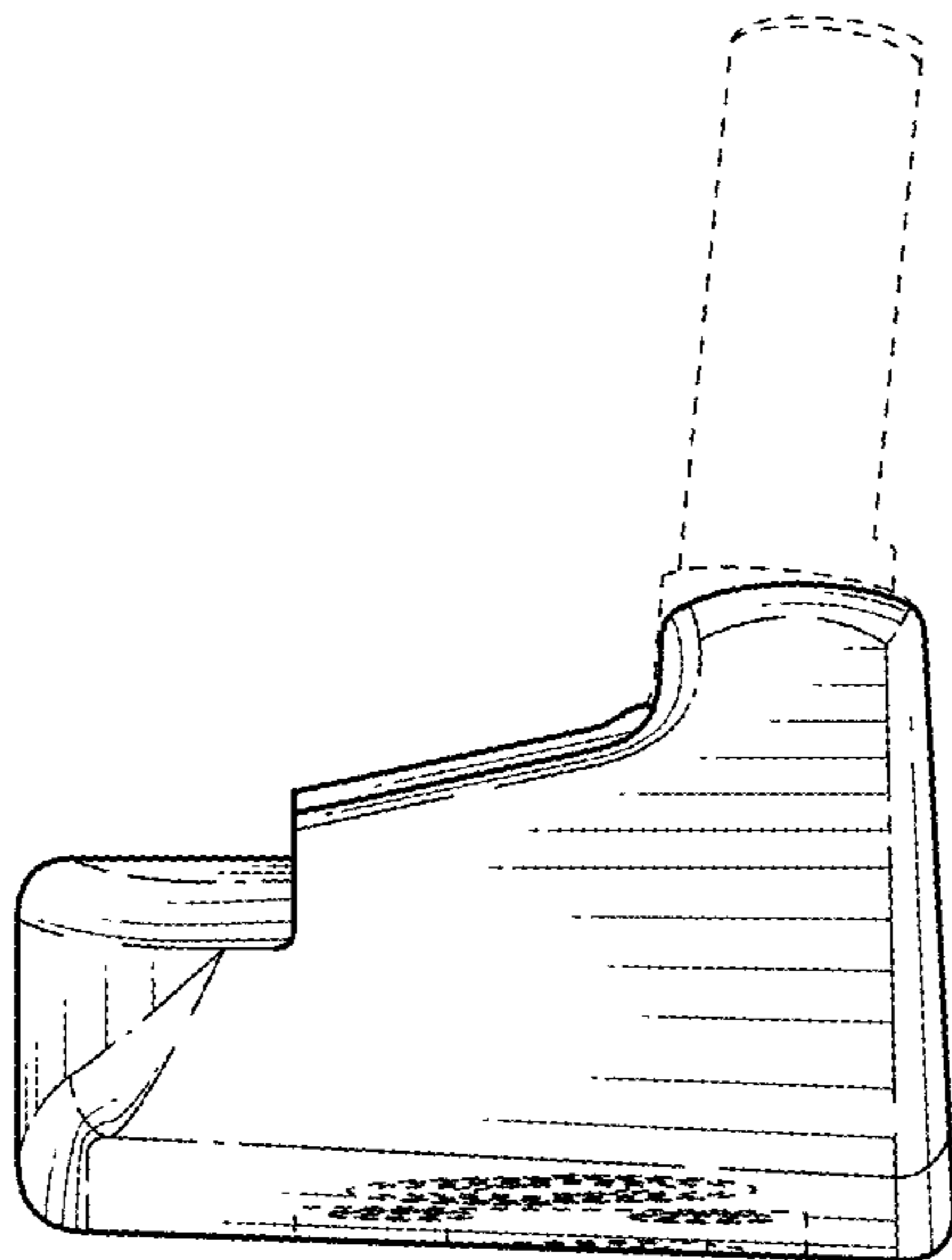


FIG. 5

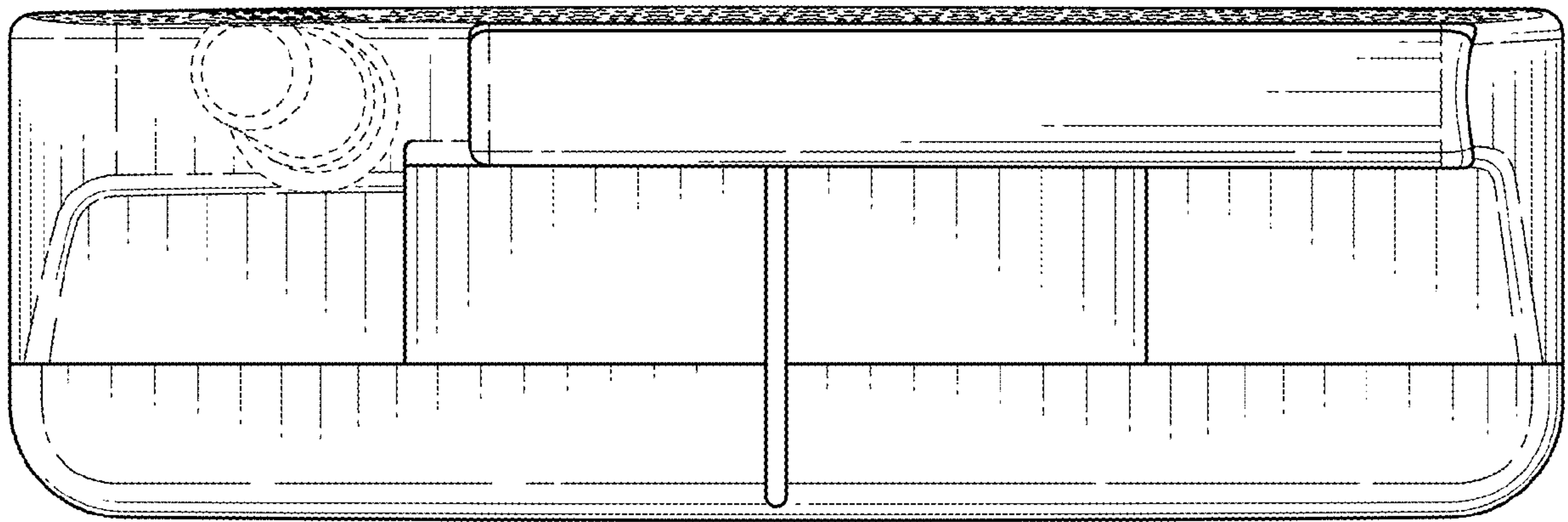


FIG. 6

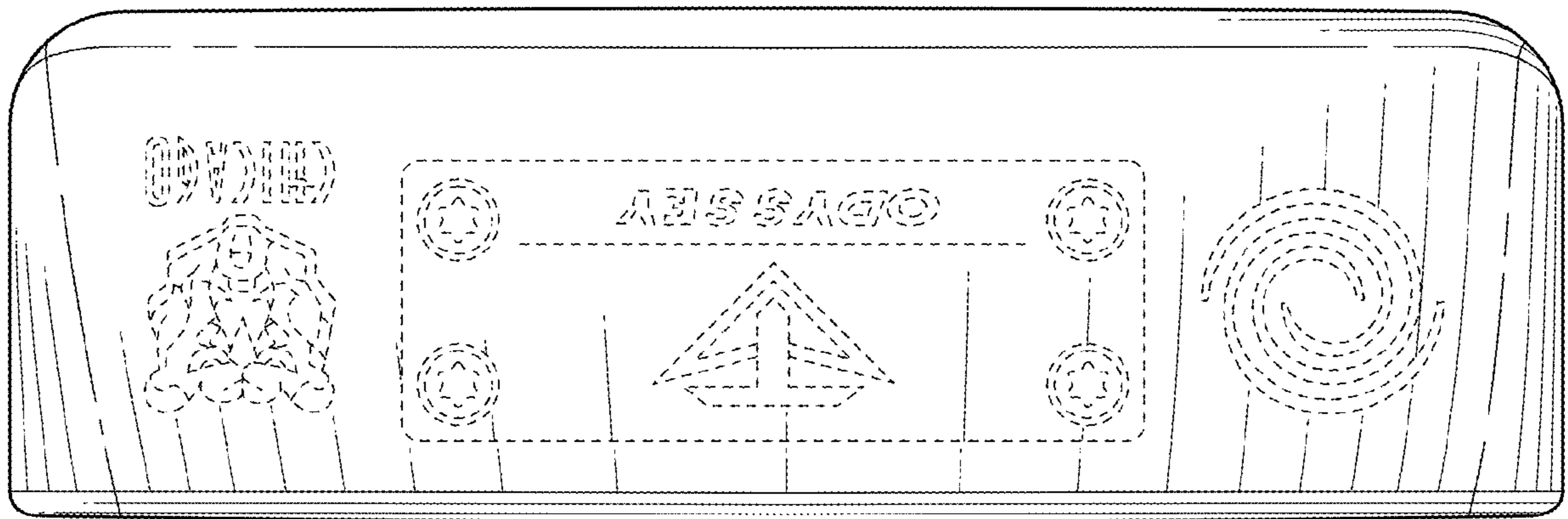


FIG. 7