



US00D912743S

(12) **United States Design Patent** (10) **Patent No.:** **US D912,743 S**
Sergakis (45) **Date of Patent:** **** Mar. 9, 2021**

- (54) **ARTICULATING HOLDER**
- (71) Applicant: **Coulter Ventures, LLC.**, Columbus, OH (US)
- (72) Inventor: **Emmanuel Sergakis**, Plain City, OH (US)
- (73) Assignee: **Coulter Ventures, LLC.**, Columbus, OH (US)
- (**) Term: **15 Years**
- (21) Appl. No.: **29/741,492**
- (22) Filed: **Jul. 13, 2020**

Related U.S. Application Data

- (63) Continuation of application No. 29/663,607, filed on Sep. 17, 2018, now Pat. No. Des. 890,274.
- (51) **LOC (13) Cl.** **21-02**
- (52) **U.S. Cl.**
USPC **D21/694**
- (58) **Field of Classification Search**
USPC D21/673, 686, 691, 694; D8/349; D14/452
CPC A46B 5/0041; A46B 5/0075; F16B 7/10
See application file for complete search history.

(56) **References Cited**

U.S. PATENT DOCUMENTS

D236,584 S *	9/1975	Svahn et al.	D8/349
D317,032 S *	5/1991	Eckler	D21/694
5,194,060 A	3/1993	Marchetti		
D357,951 S *	5/1995	Chen	D12/159
D384,710 S	10/1997	Pahel		
D385,258 S *	10/1997	Littrell	D13/168
5,713,549 A	2/1998	Shieh		
5,720,695 A	2/1998	Eckmann		
D394,482 S	5/1998	Colonello		
D395,892 S	7/1998	Solomon		
D433,468 S	11/2000	Rojas et al.		

D435,852 S	1/2001	Oddsens, Jr.		
D439,292 S *	3/2001	Webber	D21/694
D456,865 S	5/2002	Caporali et al.		
6,500,106 B1	12/2002	Fulks		
7,166,066 B2	1/2007	Webber		
7,267,314 B1	9/2007	Erickson		

(Continued)

FOREIGN PATENT DOCUMENTS

CA	2748768 A1	2/2012
FR	1123300 A	9/1956

OTHER PUBLICATIONS

Product listing for Rogue Landmines from <https://web.archive.org/web/20170529135307/https://www.roguefitness.com/landmines>, dated May 29, 2017.

(Continued)

Primary Examiner — Cynthia Ramirez
Assistant Examiner — Michael A Maharajh
(74) *Attorney, Agent, or Firm* — Banner & Witcoff, Ltd.

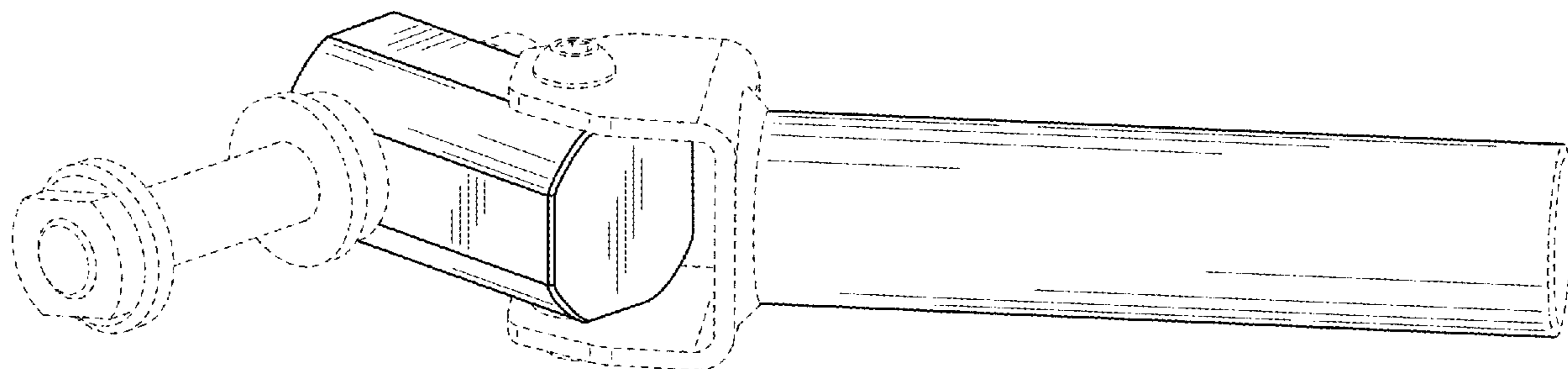
(57) **CLAIM**

The ornamental design for an articulating holder, as shown and described.

DESCRIPTION

FIG. 1 is a top, front, right perspective view of an articulating holder, showing my new design;
FIG. 2 is a front view thereof;
FIG. 3 is a left side view thereof;
FIG. 4 is a right side view thereof;
FIG. 5 is a rear side view thereof;
FIG. 6 is a top view thereof; and,
FIG. 7 is a bottom view thereof.
The broken lines shown in the drawings are for the purposes of illustrating portions of the articulating holder, which form no part of the claimed design.

1 Claim, 5 Drawing Sheets



(56)

References Cited

U.S. PATENT DOCUMENTS

7,311,641 B2 12/2007 Panagos
 7,341,545 B2 3/2008 Cao
 D568,324 S 5/2008 Stenhouse et al.
 D577,729 S 9/2008 Derry et al.
 D583,426 S * 12/2008 Webber D21/691
 D626,609 S * 11/2010 Grider D21/694
 D667,899 S 9/2012 Bronston et al.
 8,360,938 B2 1/2013 Gilman
 8,496,566 B2 7/2013 Casadei
 D688,674 S 8/2013 Lau et al.
 D695,369 S 12/2013 Bennett
 D730,459 S 5/2015 Tumminia
 D743,244 S 11/2015 Anderson
 D772,356 S * 11/2016 Gregory D21/686
 D796,519 S * 9/2017 Hung D14/452
 D797,868 S 9/2017 Thomas
 D806,808 S * 1/2018 Gregory D21/686
 D817,742 S * 5/2018 Sarnowski D8/349
 D818,547 S * 5/2018 Meredith D21/686
 10,022,582 B2 7/2018 Gangemi et al.
 D834,030 S * 11/2018 Lindo D14/452
 10,118,437 B1 11/2018 Weaver
 D841,747 S * 2/2019 Montano D21/691
 10,226,659 B2 3/2019 Stilson
 D851,186 S * 6/2019 Kuka D21/691
 D851,713 S 6/2019 Hubert
 D852,907 S 7/2019 Sergakis
 D859,422 S * 9/2019 Borloz D14/452
 D873,935 S * 1/2020 Van Den Berg D21/691
 D884,097 S * 5/2020 Ameri D21/694
 D890,273 S * 7/2020 Dunahay D21/694
 D890,274 S * 7/2020 Sergakis D21/694
 D892,240 S * 8/2020 Sergakis D21/694
 D896,616 S * 9/2020 Akbar D8/349
 2004/0209752 A1 10/2004 Thonn

2005/0035253 A1 2/2005 Rixom
 2005/0266968 A1 12/2005 Cao
 2006/0016047 A1* 1/2006 Blackman B25G 1/06
 16/231
 2011/0079692 A1 4/2011 Li
 2014/0087925 A1 3/2014 Dupuis
 2014/0121073 A1 5/2014 Hardy
 2014/0155228 A1 6/2014 Salerno
 2015/0011367 A1 1/2015 Schmidt
 2015/0362278 A1* 12/2015 Genchel F16M 11/32
 42/94
 2016/0016033 A1 1/2016 Schrag
 2016/0045777 A1 2/2016 Haggard et al.
 2016/0109056 A1* 4/2016 Chen F16B 7/10
 248/277.1
 2016/0193495 A1 7/2016 Nelson
 2016/0199688 A1 7/2016 Briley
 2016/0331203 A1* 11/2016 Tait A47L 13/26
 2017/0007872 A1 1/2017 Ho et al.
 2017/0014679 A1* 1/2017 Lalaoua A63B 21/4047
 2017/0127843 A1* 5/2017 Shaath A47C 16/025
 2019/0247701 A1* 8/2019 Sergakis A63B 71/0036
 2019/0275363 A1 9/2019 Jones et al.
 2020/0018085 A1* 1/2020 Lopez E04H 4/1609

OTHER PUBLICATIONS

Product listing for Rogue Post Landmine from <https://web.archive.org/web/20170424011516/https://www.roguefitness.com/post-landmine>, dated Apr. 24, 2017.
 Product listing for Rogue Monster Landmine from <https://web.archive.org/web/20170717115336/http://www.roguefitness.com/rogue-monster-landmine>, dated Jul. 17, 2017.
 Roguefitness, "Rogue Monster Landmine 2.0", Mar. 9, 2020. <https://www.roguefitness.com/rogue-monster-landmine-2-0>. Shown on p. 1. (Year: 2020).

* cited by examiner

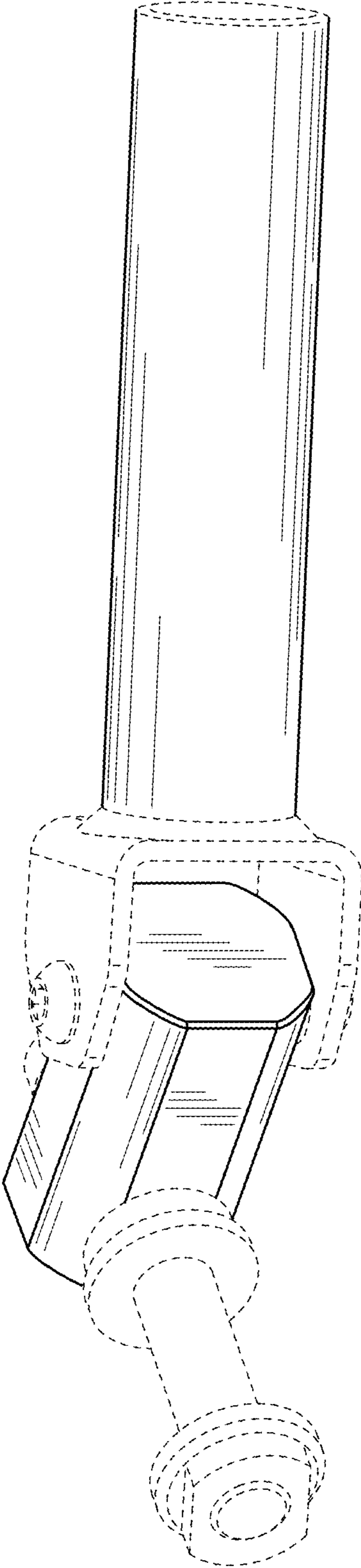


FIG. 1

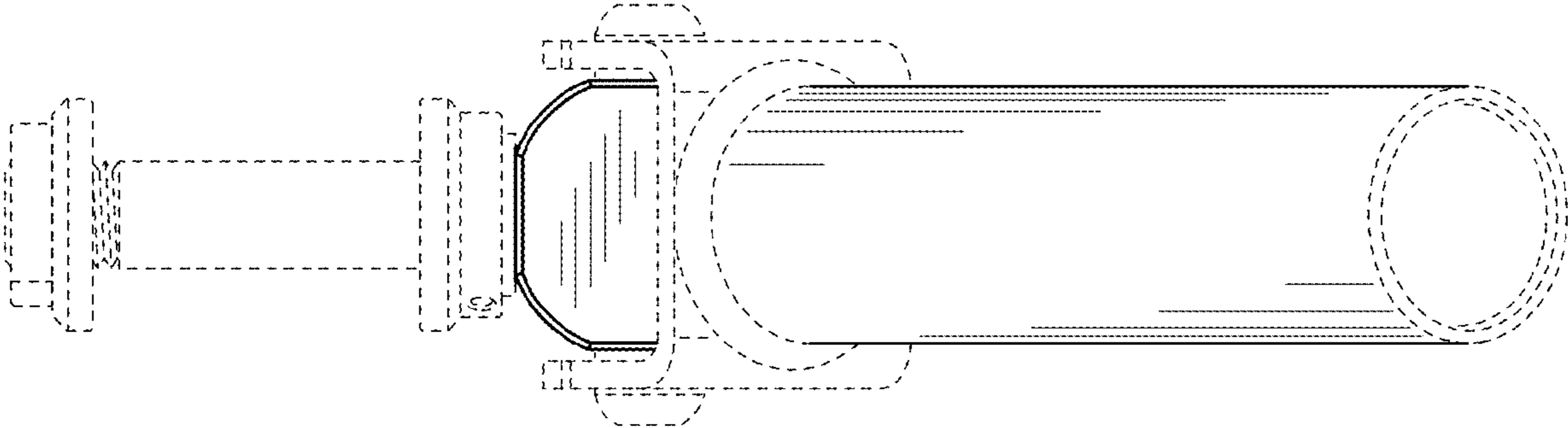


FIG. 2

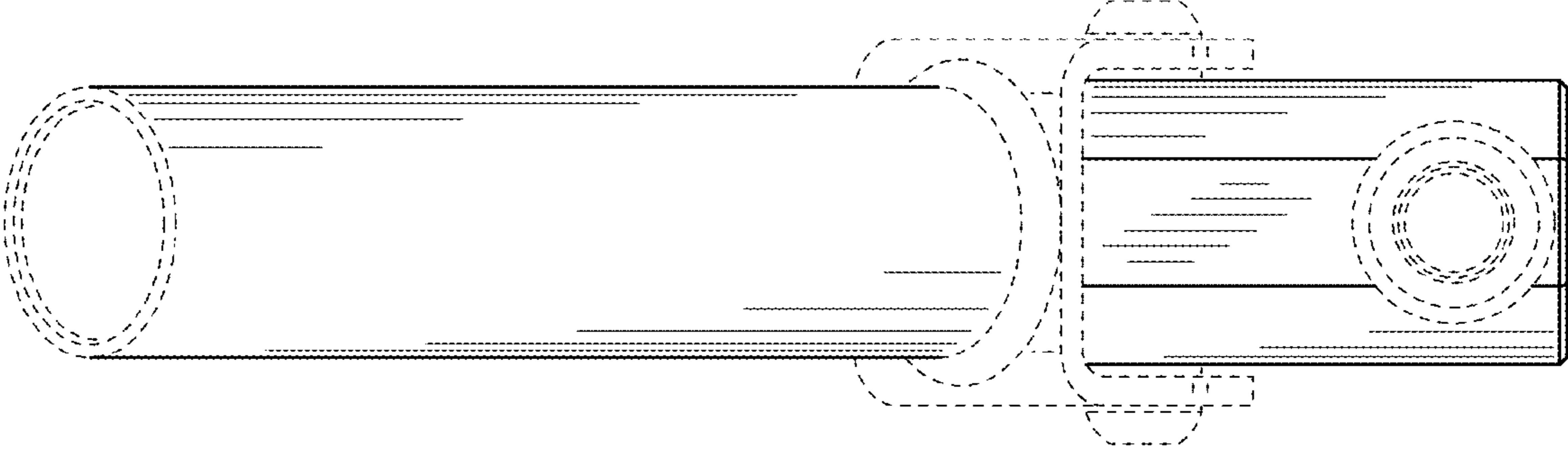


FIG. 3

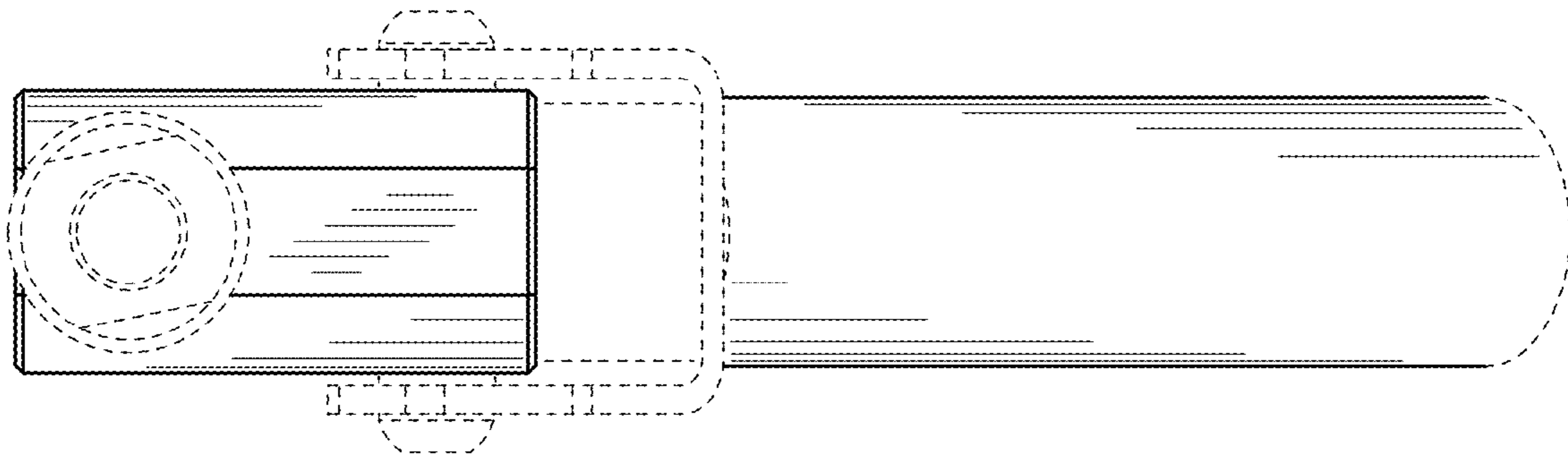


FIG. 4

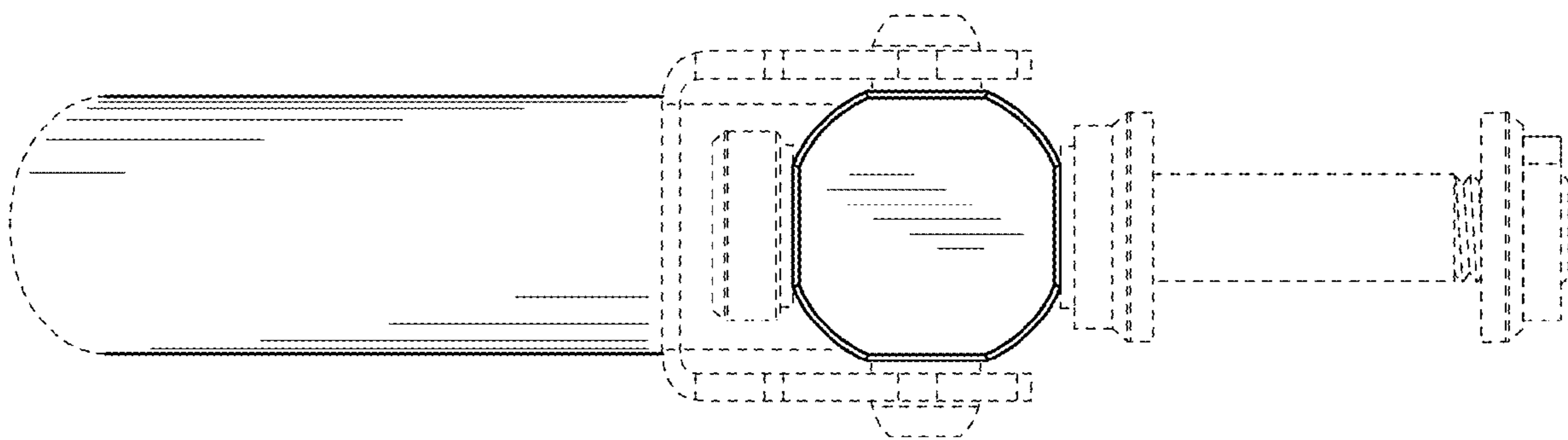


FIG. 5

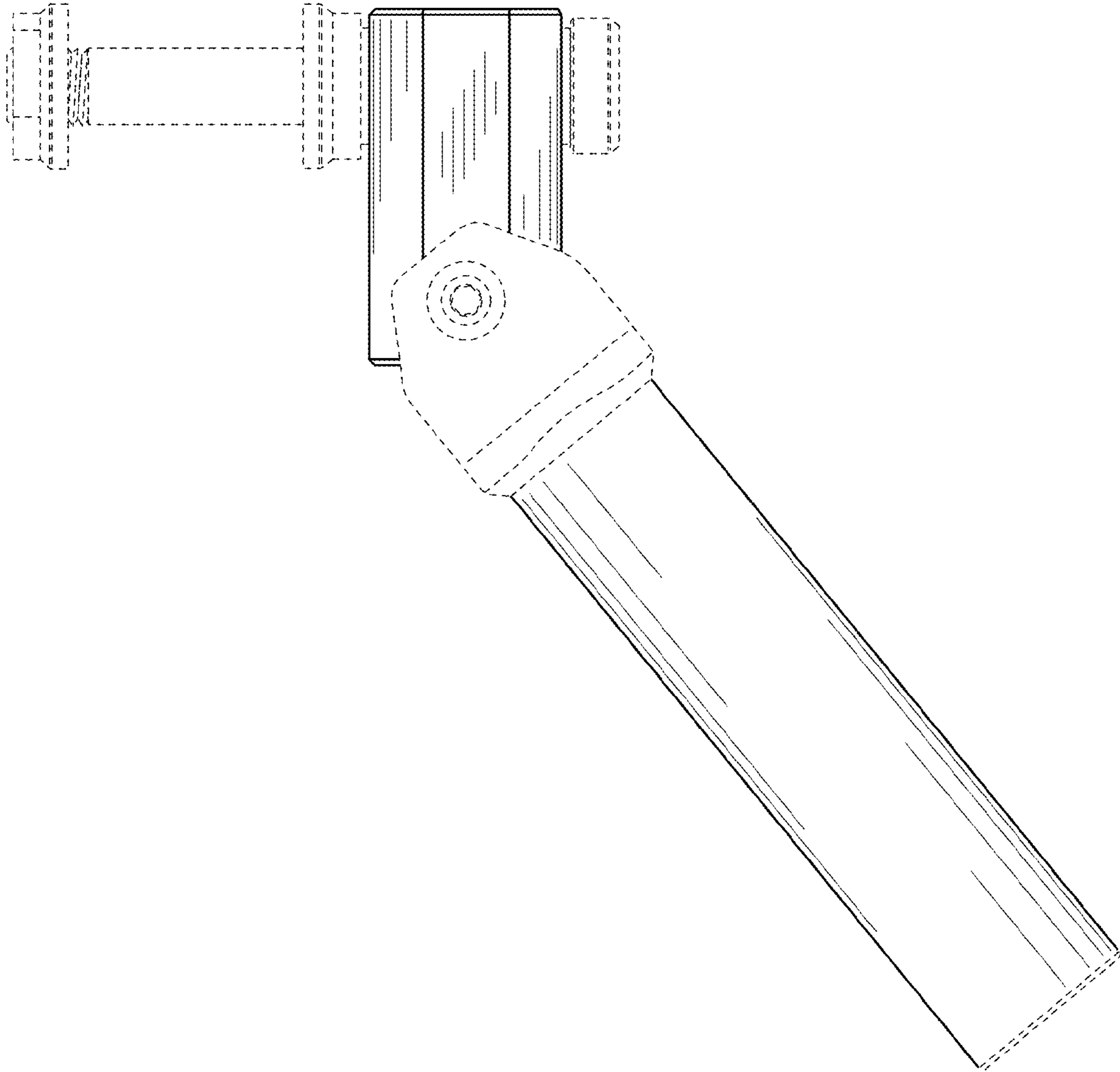


FIG. 6

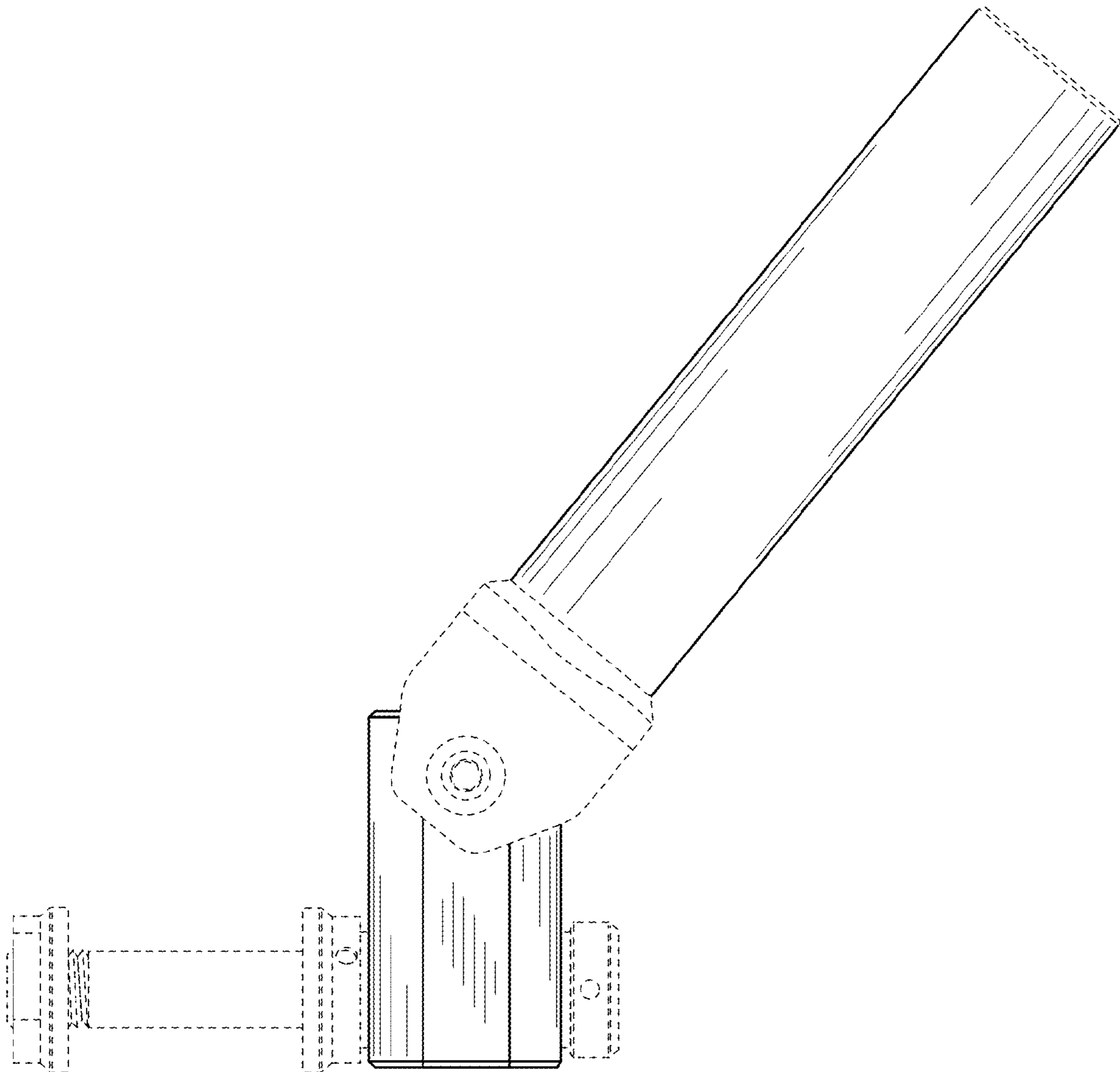


FIG. 7