



US00D912742S

(12) **United States Design Patent** (10) **Patent No.:** **US D912,742 S**  
**Qiao** (45) **Date of Patent:** **\*\* Mar. 9, 2021**

(54) **STRAP FOR AN EXERCISE APPARATUS**

(71) Applicant: **Xi Lu Qiao**, Guangdong (CN)  
(72) Inventor: **Xi Lu Qiao**, Guangdong (CN)  
(73) Assignee: **JOICOM CORPORATION**, Anaheim, CA (US)

(\*\*) Term: **15 Years**

(21) Appl. No.: **29/733,583**

(22) Filed: **May 5, 2020**

(51) **LOC (13) Cl.** ..... **21-02**

(52) **U.S. Cl.**  
USPC ..... **D21/694**

(58) **Field of Classification Search**  
USPC ..... D21/797, 698, 662, 683; 482/23, 48, 482/139, 44, 105; 2/161.1, 162, 170, 2/917, 16, 20; D8/330, 303; D20/22; D29/113, 120.1, 791, 797, 190, 117.1; 473/205; D24/190  
CPC ..... A63B 21/4035; A63B 2225/09; A63B 21/0442; A63B 21/0557; A63B 21/00069; A63B 21/0552; A63B 21/068; A63B 21/16; A63B 21/1663; A63B 21/4043; A63B 21/00185; A63B 2023/0006; A63B 21/0555; A63B 21/1645  
See application file for complete search history.

(56) **References Cited**

U.S. PATENT DOCUMENTS

D449,136 S \* 10/2001 Vallance ..... D29/100  
D489,422 S 5/2004 Feder  
D636,036 S \* 4/2011 Rios ..... D21/662  
7,950,072 B1 \* 5/2011 Hanson ..... A41F 9/002  
2/338  
8,834,331 B1 \* 9/2014 Boatwright ..... A63B 21/0442  
482/121  
9,586,074 B2 \* 3/2017 Autogue ..... A63B 21/4019  
9,675,835 B1 \* 6/2017 Abramovich ..... A63B 21/0555

(Continued)

OTHER PUBLICATIONS

FITINDEX by FITINDEX dated Nov. 16, 2019. Found online [Jun. 22, 2020] [https://www.amazon.com/FITINDEX-Bodyweight-Resistance-Suspension-Training/dp/B07XDRJB7P/ref=cm\\_cr\\_arp\\_d\\_product\\_top?ie=UTF8](https://www.amazon.com/FITINDEX-Bodyweight-Resistance-Suspension-Training/dp/B07XDRJB7P/ref=cm_cr_arp_d_product_top?ie=UTF8).\*

*Primary Examiner* — Ryan Harvey

(57) **CLAIM**

The ornamental design for a strap for an exercise apparatus, as shown and described.

**DESCRIPTION**

FIG. 1 is a front perspective view of a strap for an exercise apparatus according to the present invention; FIG. 2 is a rear perspective view thereof; FIG. 3 is a front elevation view thereof; FIG. 4 is a rear elevation view thereof; FIG. 5 is a left side view thereof; FIG. 6 is a right side view thereof; FIG. 7 is an enlarged front perspective view of a feature thereof shown in FIG. 1; FIG. 8 is an enlarged rear perspective view of a feature thereof shown in FIG. 2; FIG. 9 is an enlarged rear perspective view of a feature thereof shown in FIG. 2; FIG. 10 is an enlarged front elevation view of a feature thereof shown in FIG. 3; FIG. 11 is an enlarged rear elevation view of a feature thereof shown in FIG. 4; FIG. 12 is an enlarged left side view of a feature thereof shown in FIG. 5; FIG. 13 is an enlarged left side view of a feature thereof shown in FIG. 5; and, FIG. 14 is a front perspective view of the strap for an exercise apparatus shown in use. The broken lines in the figures are for the purpose of illustrating stitching and environmental subject matter, neither of which form part of the claimed design.

**1 Claim, 14 Drawing Sheets**

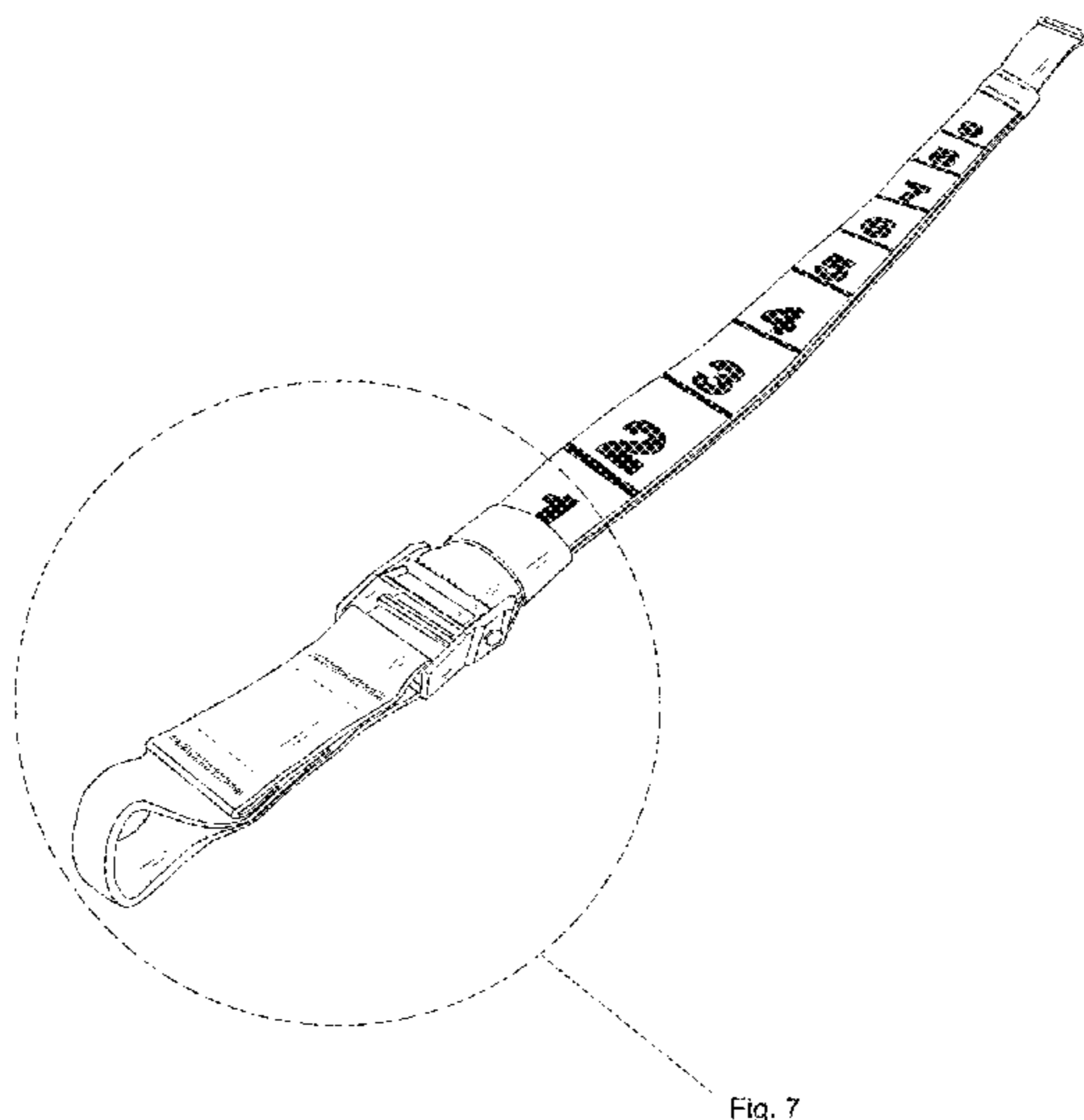


Fig. 7

(56)

**References Cited**

U.S. PATENT DOCUMENTS

D810,843 S \* 2/2018 Karvandi ..... D21/662  
 D816,785 S 5/2018 Smith, Jr.  
 D843,525 S 3/2019 Karvandi  
 10,232,213 B1 \* 3/2019 Smith, Jr. .... A63B 1/00  
 D853,501 S 7/2019 Karvandi  
 D855,125 S \* 7/2019 Li ..... D21/662  
 D856,444 S 8/2019 Karvandi  
 D861,804 S \* 10/2019 Rios ..... D21/662  
 D872,200 S \* 1/2020 Antezana ..... D21/692  
 2002/0160891 A1 \* 10/2002 Gallagher ..... A63B 21/154  
 482/123  
 2007/0173383 A1 \* 7/2007 Feigenbaum ..... A63B 21/1663  
 482/91  
 2010/0048366 A1 \* 2/2010 Lebert ..... A63B 21/0023  
 482/126  
 2011/0166003 A1 \* 7/2011 Brice ..... A63B 21/00  
 482/131

2012/0053027 A1 \* 3/2012 Hetrick ..... A63B 21/1663  
 482/124  
 2012/0295776 A1 \* 11/2012 Chen ..... A63B 21/0557  
 482/121  
 2012/0304368 A1 \* 12/2012 Waller ..... A63B 33/002  
 2/431  
 2013/0196831 A1 \* 8/2013 Kinsbourne ..... A63B 21/4035  
 482/129  
 2013/0331236 A1 \* 12/2013 Moss ..... A63B 21/4021  
 482/93  
 2014/0024508 A1 \* 1/2014 Hinds ..... A63B 21/00043  
 482/129  
 2014/0082891 A1 \* 3/2014 Hetrick ..... A44B 11/04  
 24/115 H  
 2015/0283420 A1 \* 10/2015 Chang ..... A63B 23/1281  
 482/129  
 2017/0144020 A1 \* 5/2017 Culp ..... A63B 21/068  
 2017/0361150 A1 \* 12/2017 Polinsky ..... A63B 21/16  
 2018/0140886 A1 \* 5/2018 Hetrick ..... A63B 21/16  
 2018/0318631 A1 \* 11/2018 Siu ..... A63B 21/1663

\* cited by examiner

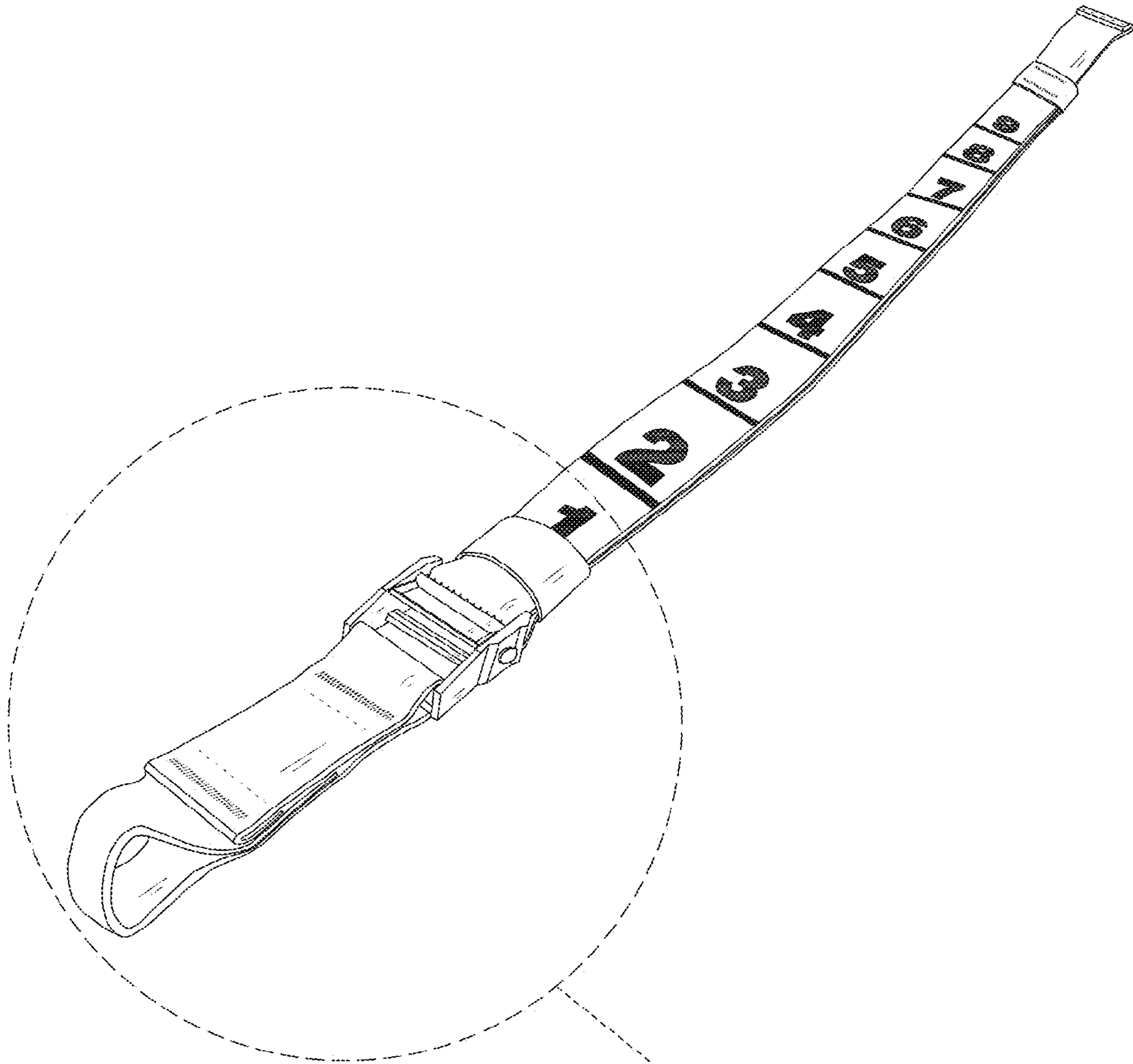


Fig. 7

FIG. 1

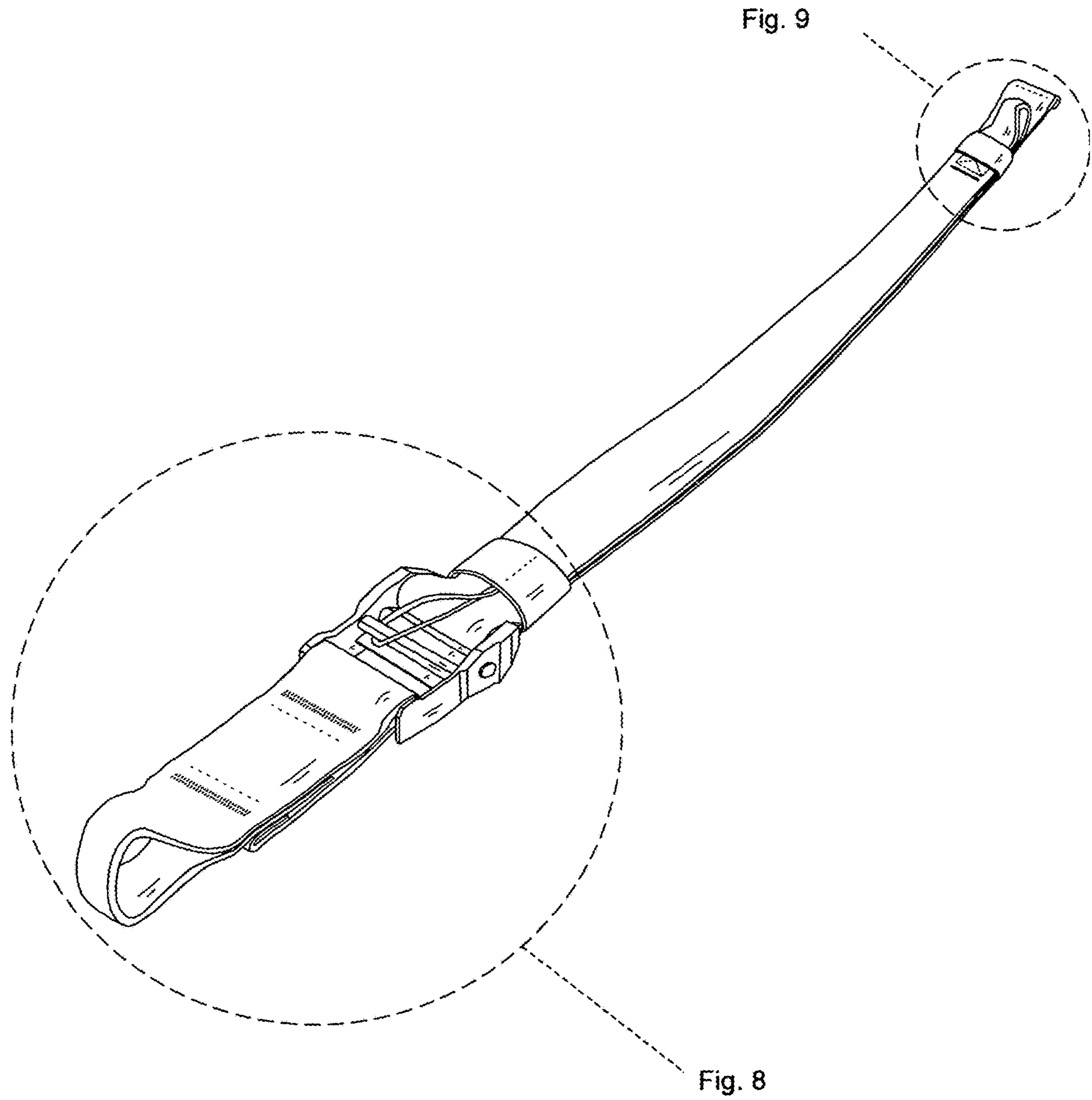


FIG. 2

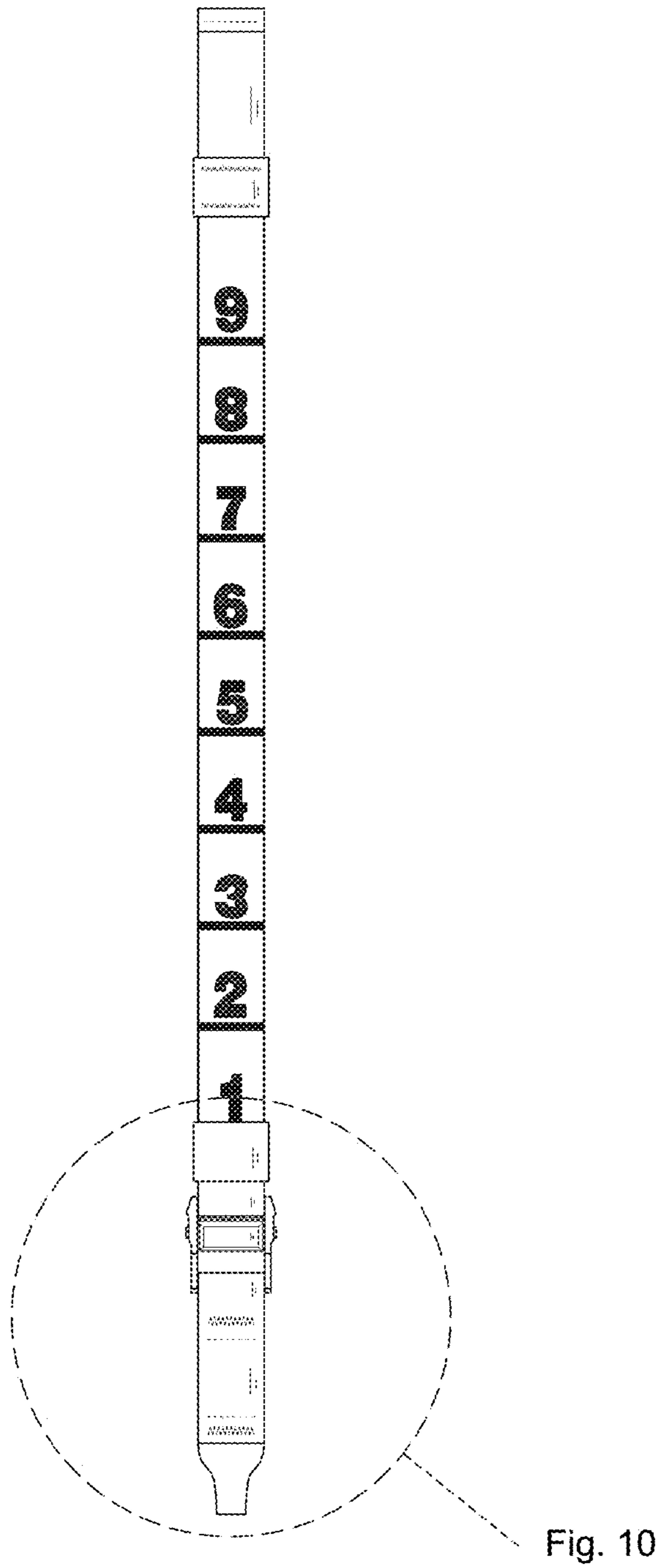


FIG. 3

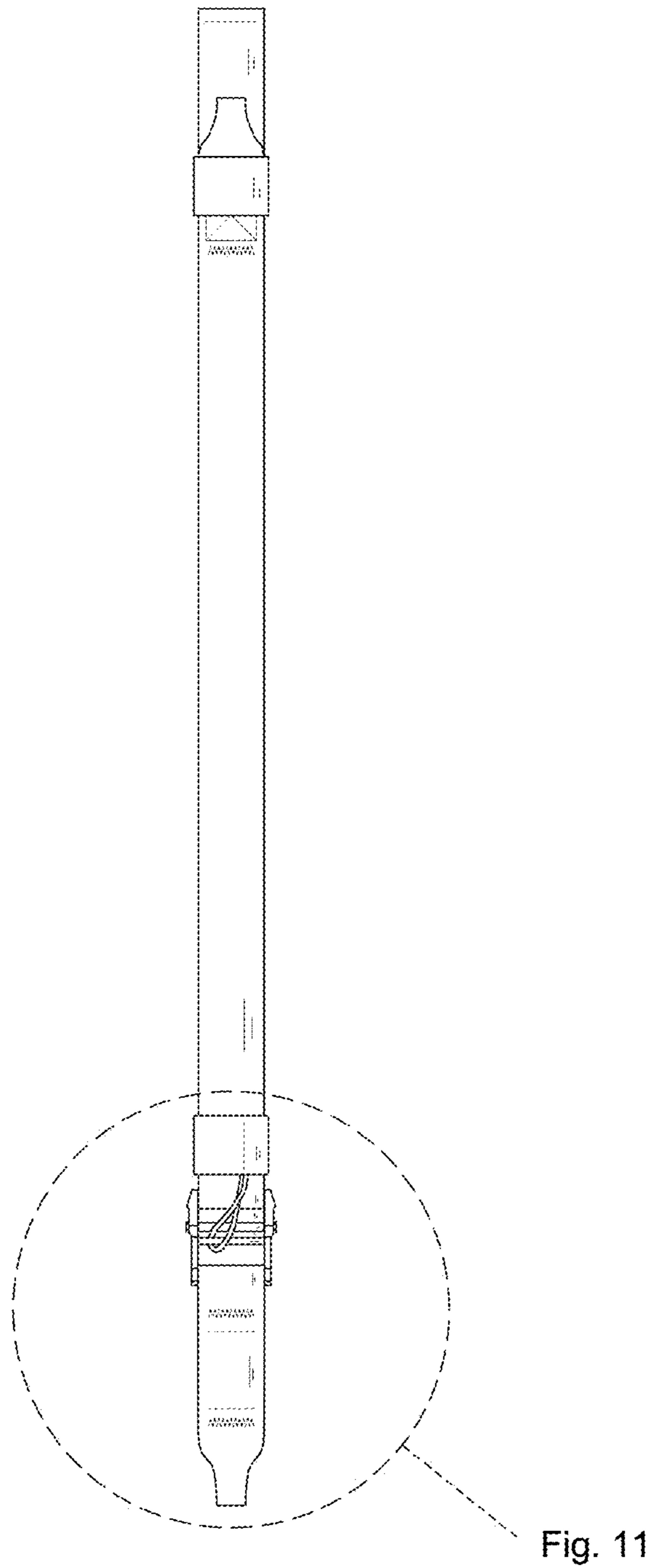


FIG. 4

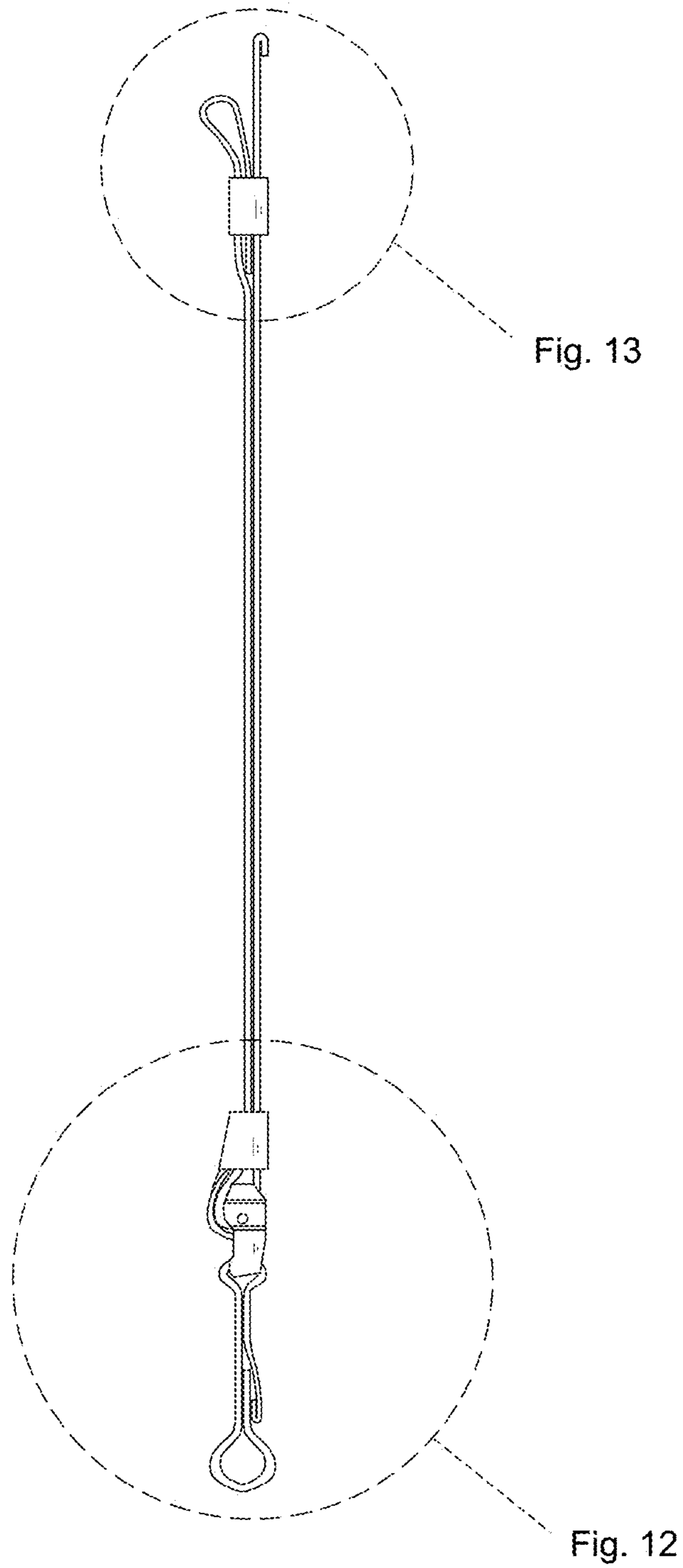


FIG. 5

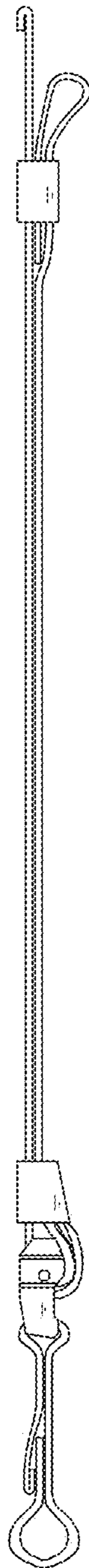


FIG. 6



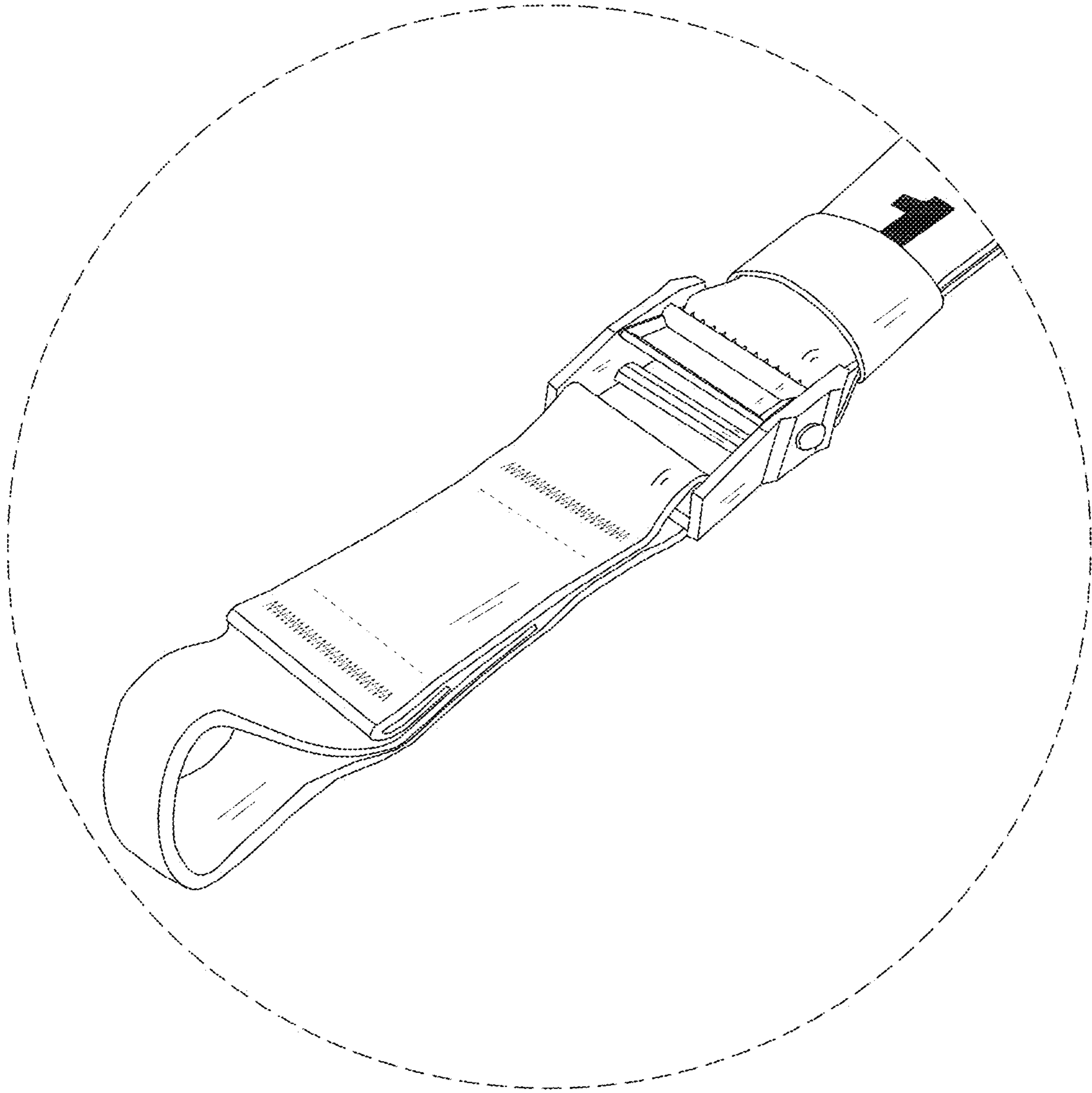


FIG. 7

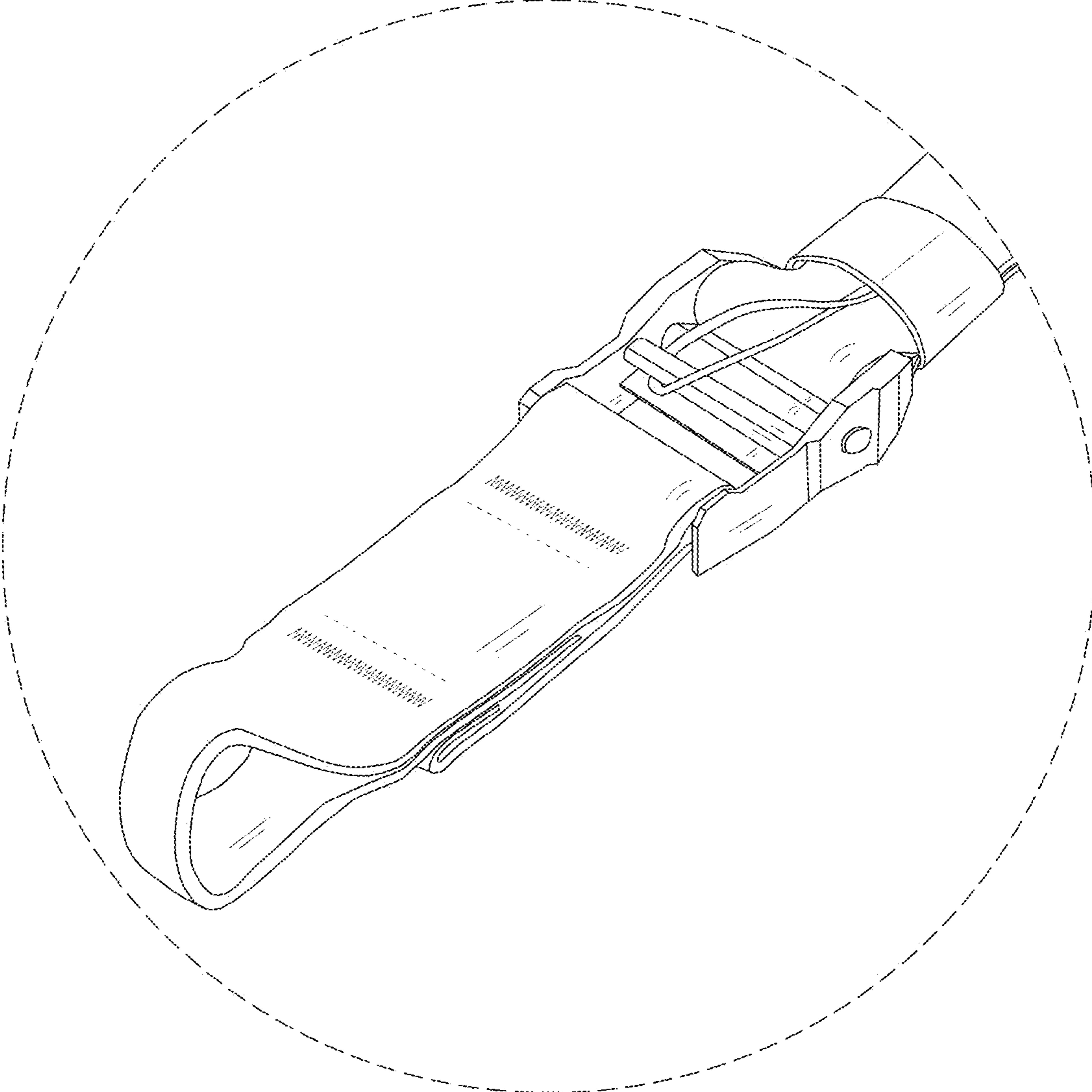


FIG. 8

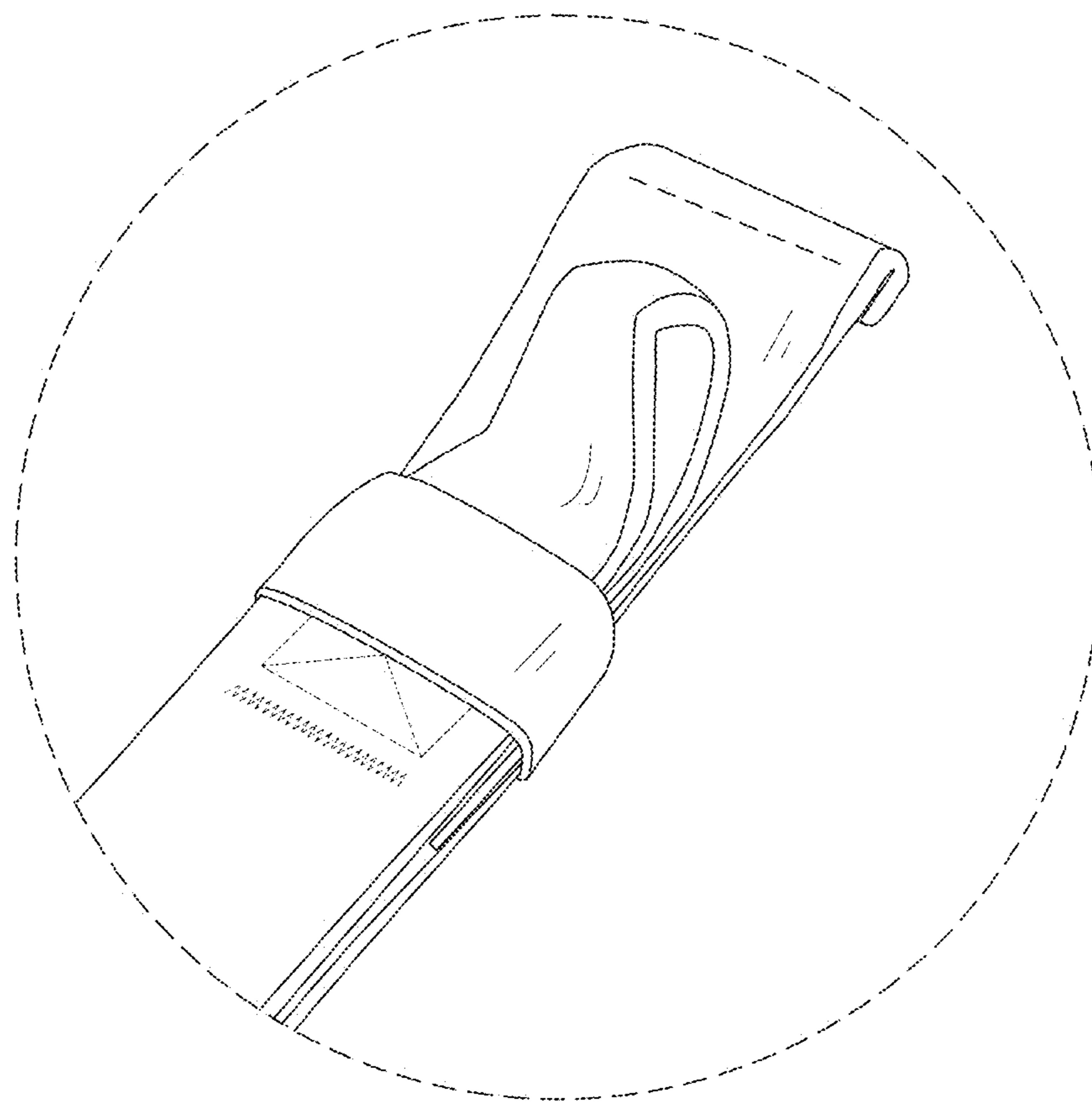


FIG. 9

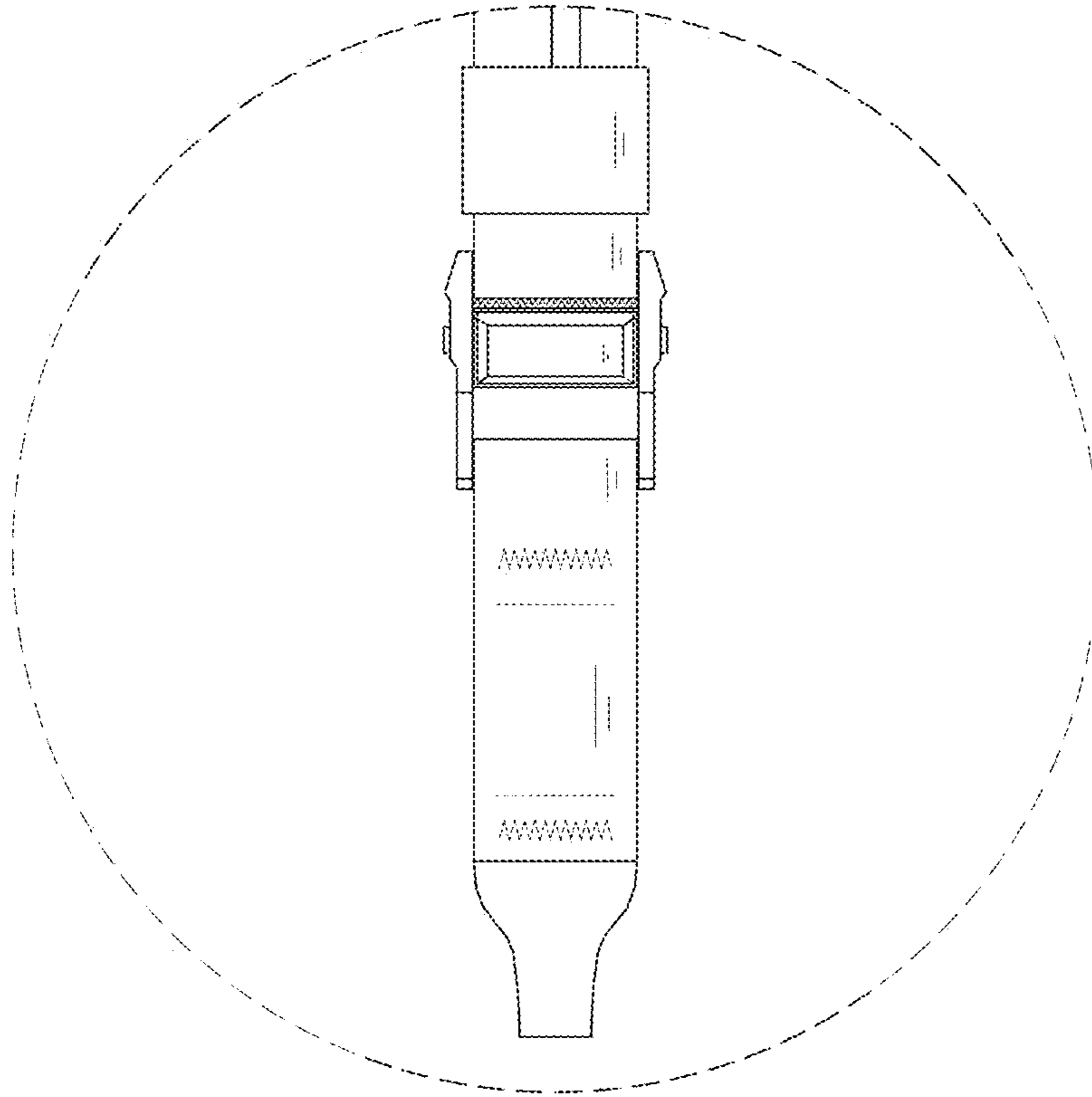


FIG. 10

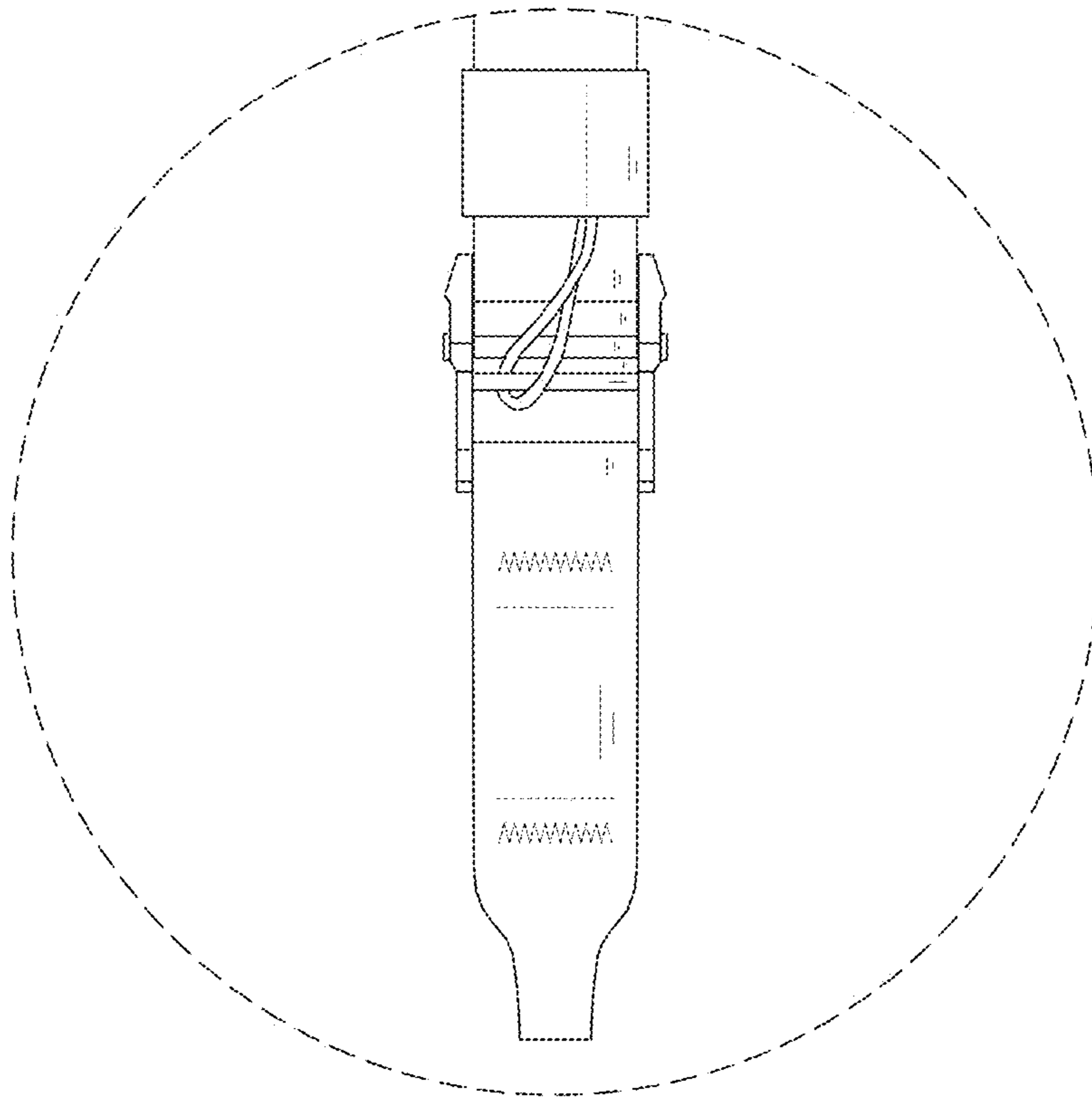


FIG. 11

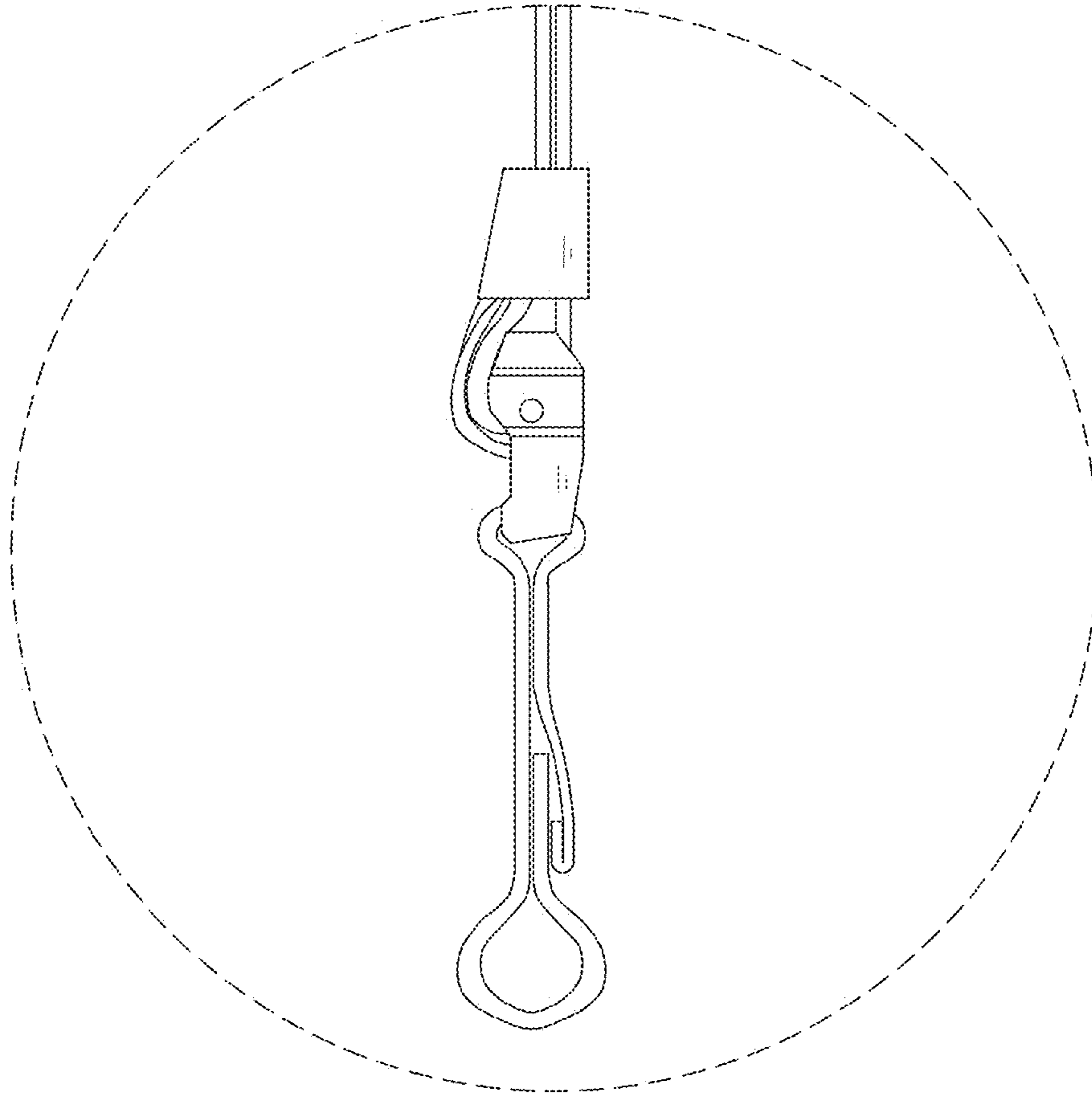


FIG. 12

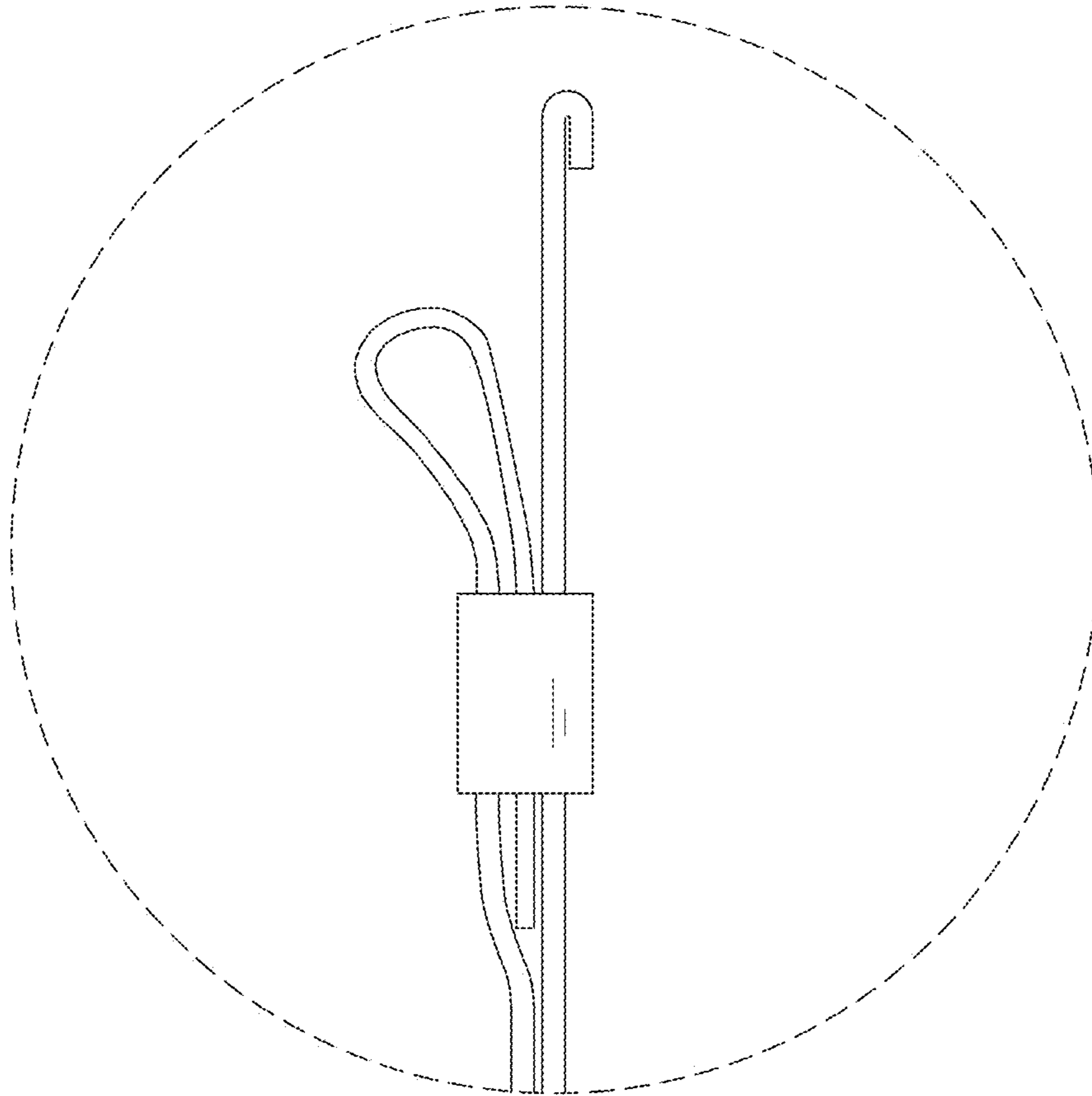


FIG. 13

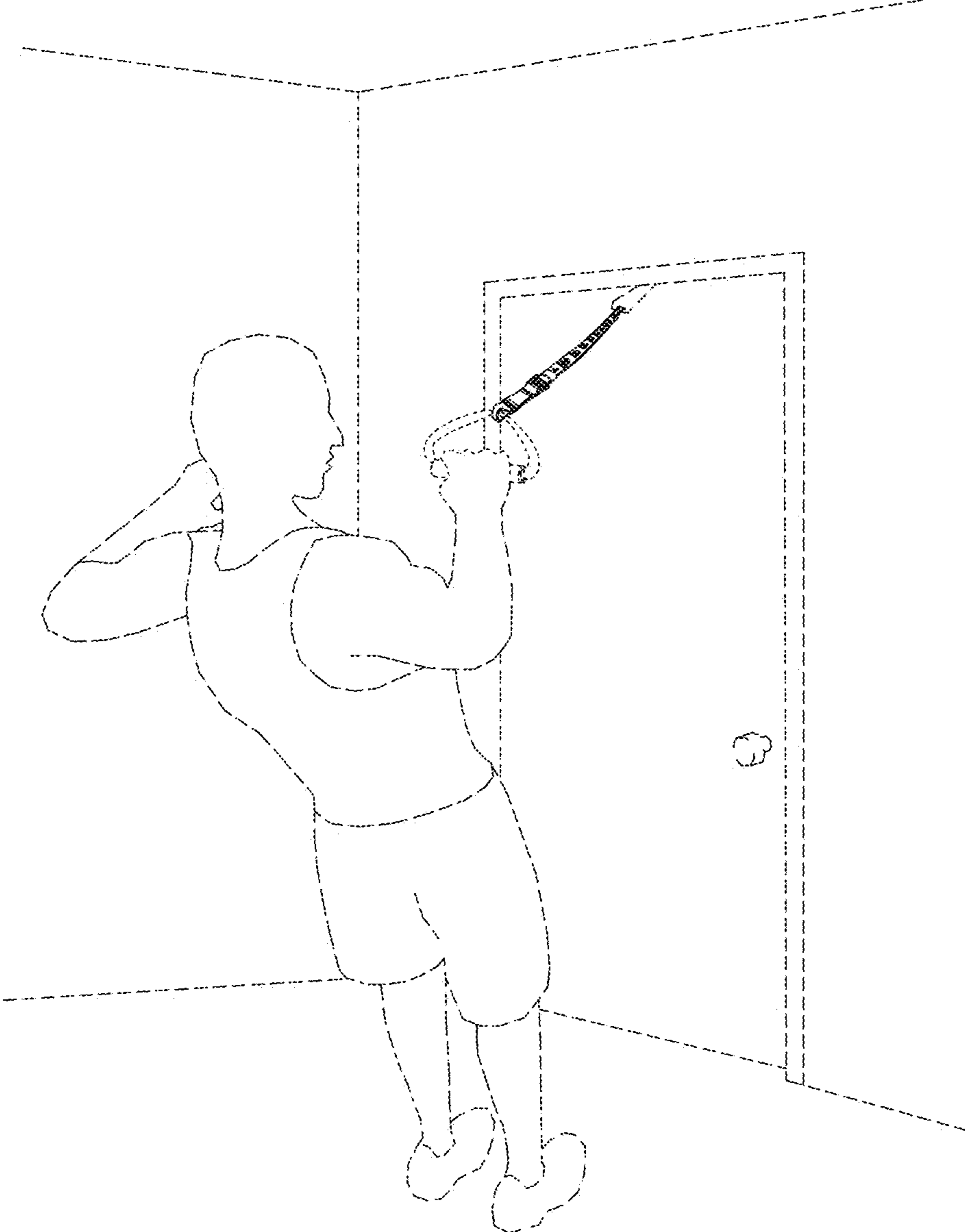


FIG. 14