



US00D912740S

(12) **United States Design Patent**
Ge

(10) **Patent No.:** **US D912,740 S**

(45) **Date of Patent:** **** Mar. 9, 2021**

(54) **KEGEL TRAINER**

(71) Applicant: **Junhua Ge**, Zhejiang (CN)

(72) Inventor: **Junhua Ge**, Zhejiang (CN)

(**) Term: **15 Years**

(21) Appl. No.: **29/737,520**

(22) Filed: **Jun. 9, 2020**

(30) **Foreign Application Priority Data**

May 6, 2020 (CN) 202030196757.9

(51) **LOC (13) Cl.** **21-02**

(52) **U.S. Cl.**
USPC **D21/692**; D24/134

(58) **Field of Classification Search**
USPC D24/215, 143, 141, 135; D21/692, 684;
600/591, 29; 482/92, 9, 8, 148, 127, 126,
482/124, 121, 112, 11, 105
CPC ... A63B 23/20; A63B 2220/51; A63B 21/023;
A63B 21/4047; A61B 5/227; A61B
2017/00805; A61B 5/4337; A61H 19/40;
A61H 2201/1628

See application file for complete search history.

(56) **References Cited**

U.S. PATENT DOCUMENTS

- 4,629,186 A * 12/1986 Aldridge A63B 21/0004
482/126
- 5,399,138 A * 3/1995 Jones A63B 21/0004
482/122
- 5,865,715 A * 2/1999 Wallick A63B 23/20
482/121
- D428,631 S * 7/2000 Stein D21/662
- 6,258,015 B1 * 7/2001 Blackford A63B 21/023
482/121
- D446,561 S * 8/2001 Beard D21/662
- D446,857 S * 8/2001 Stein D24/133
- D447,234 S * 8/2001 Stein D24/135
- D447,235 S * 8/2001 Stein D24/135
- 6,733,425 B2 * 5/2004 Blackford A63B 21/026
482/112

- 7,008,354 B2 * 3/2006 Wen A63B 21/0004
482/121
- 7,887,461 B2 * 2/2011 Bakhtiyari A63B 21/025
482/11
- D634,796 S * 3/2011 Batiste D21/684
- 8,118,726 B1 * 2/2012 Blackford A63B 23/20
600/29

(Continued)

FOREIGN PATENT DOCUMENTS

EM 006260154-0001 2/2019

OTHER PUBLICATIONS

Moond by moond dated Jun. 12, 2020. Found online [Dec. 4, 2020]
https://www.amazon.com/MOOND-Trainer-Exerciser-Strengthen-Muscles/dp/B0876ZNG1S/ref=cm_cr_arp_d_product_top?ie=UTF8.*

Primary Examiner — Ryan Harvey

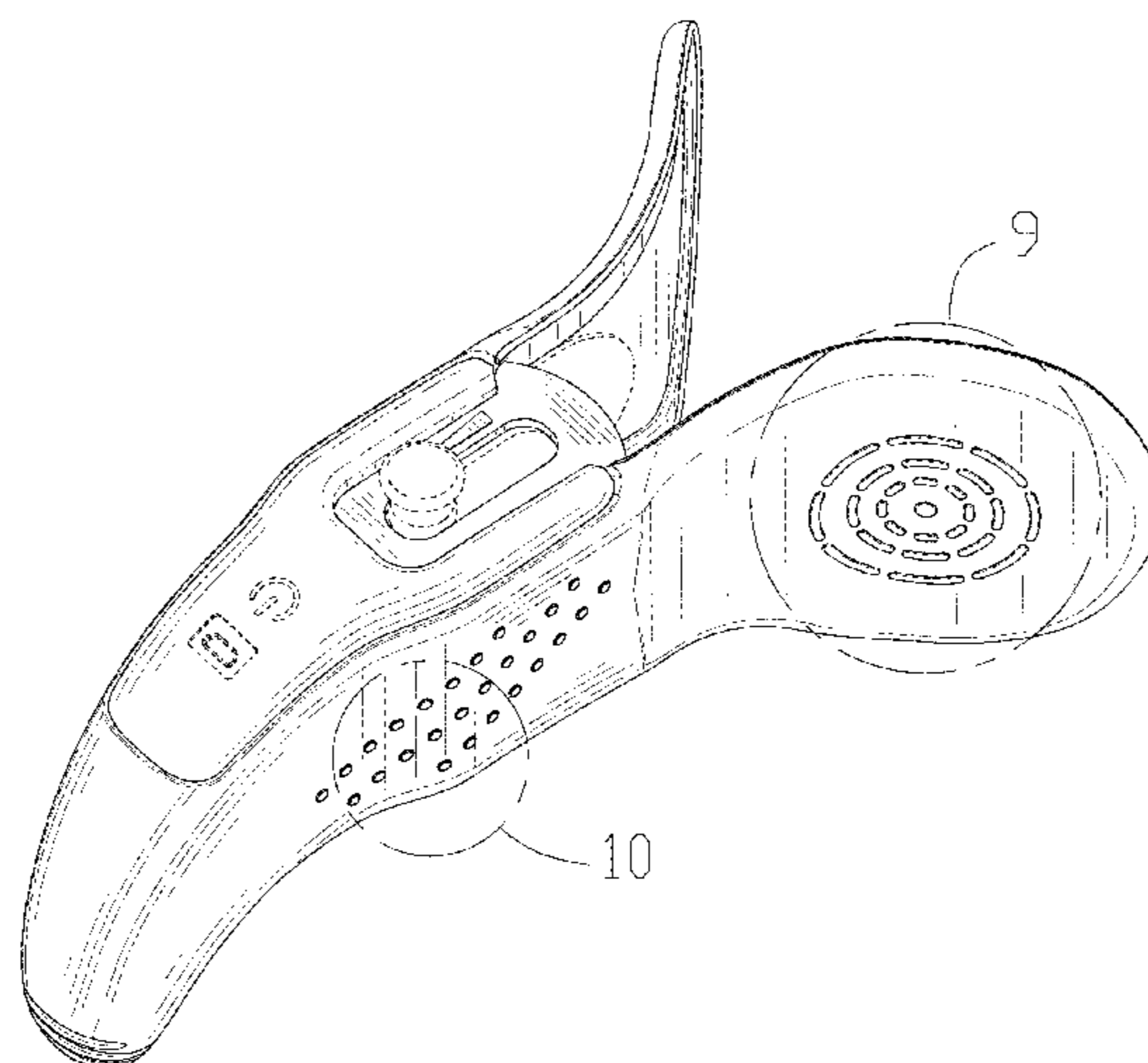
(57) **CLAIM**

The ornamental design for a kegel trainer, as shown and described.

DESCRIPTION

FIG. 1 is a top, front and left side perspective view of a kegel trainer showing my new design;
 FIG. 2 is a bottom, rear and right side perspective view thereof;
 FIG. 3 is a front elevational view thereof;
 FIG. 4 is a rear elevational view thereof;
 FIG. 5 is a left side view thereof;
 FIG. 6 is a right side view thereof;
 FIG. 7 is a top plan view thereof;
 FIG. 8 is a bottom plan view thereof;
 FIG. 9 is an enlarged view of portion 9 in FIG. 1; and,
 FIG. 10 is an enlarged view of portion 10 in FIG. 1.
 The broken lines in the drawings illustrate portions of the kegel trainer which form no part of the claimed design.

1 Claim, 10 Drawing Sheets



(56)

References Cited

U.S. PATENT DOCUMENTS

D671,179 S * 11/2012 Chang D21/692
 D677,385 S * 3/2013 Takashima D24/141
 D687,959 S * 8/2013 Reichmann D24/215
 8,556,786 B2 * 10/2013 Chen A63B 21/02
 482/128
 D712,029 S * 8/2014 Tai D24/141
 D712,030 S * 8/2014 Tai D24/141
 D760,898 S * 7/2016 Xie D24/141
 D773,662 S * 12/2016 Boler D24/141
 D810,848 S * 2/2018 Claesson D21/692
 9,925,027 B1 * 3/2018 Blackford A63B 21/0421
 D831,763 S * 10/2018 Assad D21/692
 D843,571 S * 3/2019 Yang D24/141
 10,357,684 B2 * 7/2019 Claesson A63B 21/00069
 D860,452 S * 9/2019 Pfeffer D24/143
 D898,912 S * 10/2020 Xie D24/141
 2002/0142896 A1 * 10/2002 Stein A63B 23/20
 482/121
 2002/0147082 A1 * 10/2002 Harding-Randle A63B 23/20
 482/128
 2002/0169056 A1 * 11/2002 Ross A63B 23/20
 482/121
 2003/0036464 A1 * 2/2003 Zavilevich A63B 23/20
 482/92
 2003/0087734 A1 * 5/2003 Kring A63B 23/20
 482/112
 2005/0113228 A1 * 5/2005 Marcotte A63B 23/20
 482/148

2005/0148447 A1 * 7/2005 Nady A63B 23/20
 482/121
 2007/0112284 A1 * 5/2007 Hoffman A61B 5/053
 600/591
 2007/0142191 A1 * 6/2007 Schuurmans Stekhoven
 A63B 23/20
 482/148
 2007/0219078 A1 * 9/2007 Bourgault A63B 23/0482
 482/148
 2007/0287610 A1 * 12/2007 Novak A61H 19/00
 482/105
 2009/0239721 A1 * 9/2009 Bisson A63B 21/4035
 482/126
 2010/0004102 A1 * 1/2010 Harding-Randle
 A63B 21/026
 482/124
 2014/0113771 A1 * 4/2014 Kubik A63B 23/032
 482/11
 2014/0155225 A1 * 6/2014 Sedic A61N 1/36007
 482/9
 2015/0196802 A1 * 7/2015 Siegel A63B 21/0023
 482/8
 2016/0008664 A1 * 1/2016 Siegel A63B 24/0062
 482/8
 2016/0279469 A1 * 9/2016 Rose A61B 5/486
 2016/0346610 A1 * 12/2016 Iglesias A61B 5/227
 2017/0354842 A1 * 12/2017 Boland A63B 21/0023
 2018/0264317 A1 * 9/2018 Yuan A63B 23/20

* cited by examiner

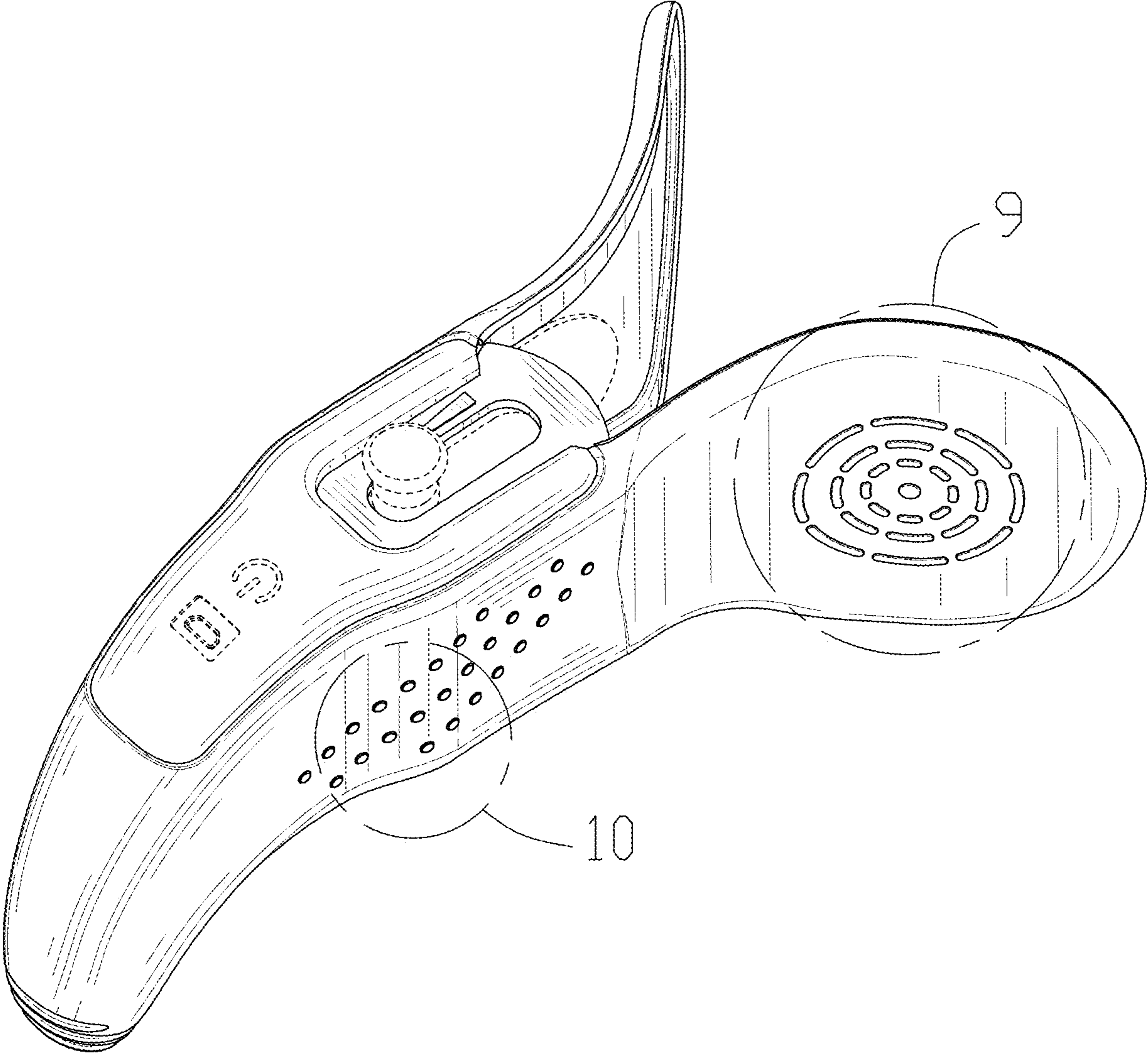


FIG. 1

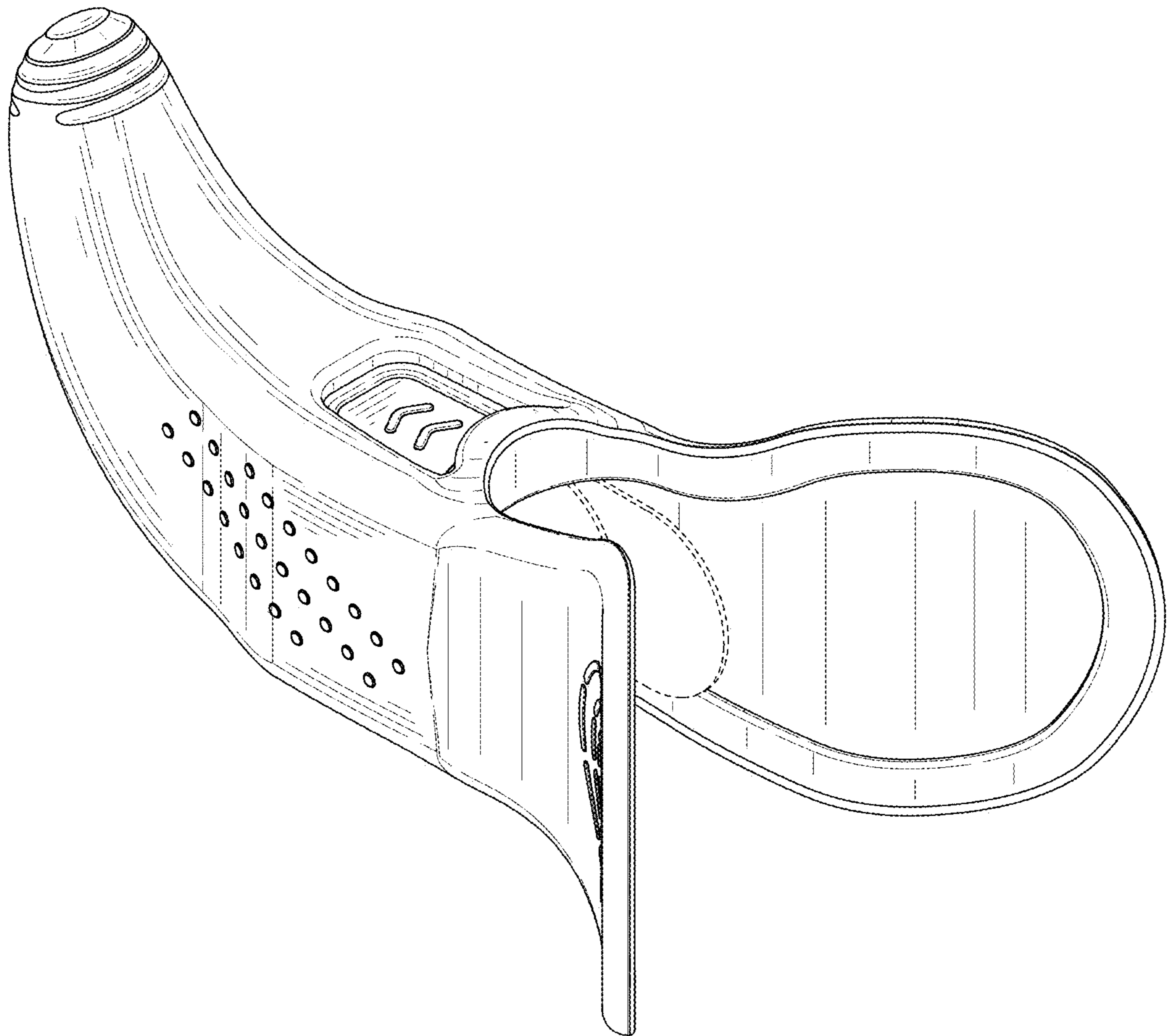


FIG. 2

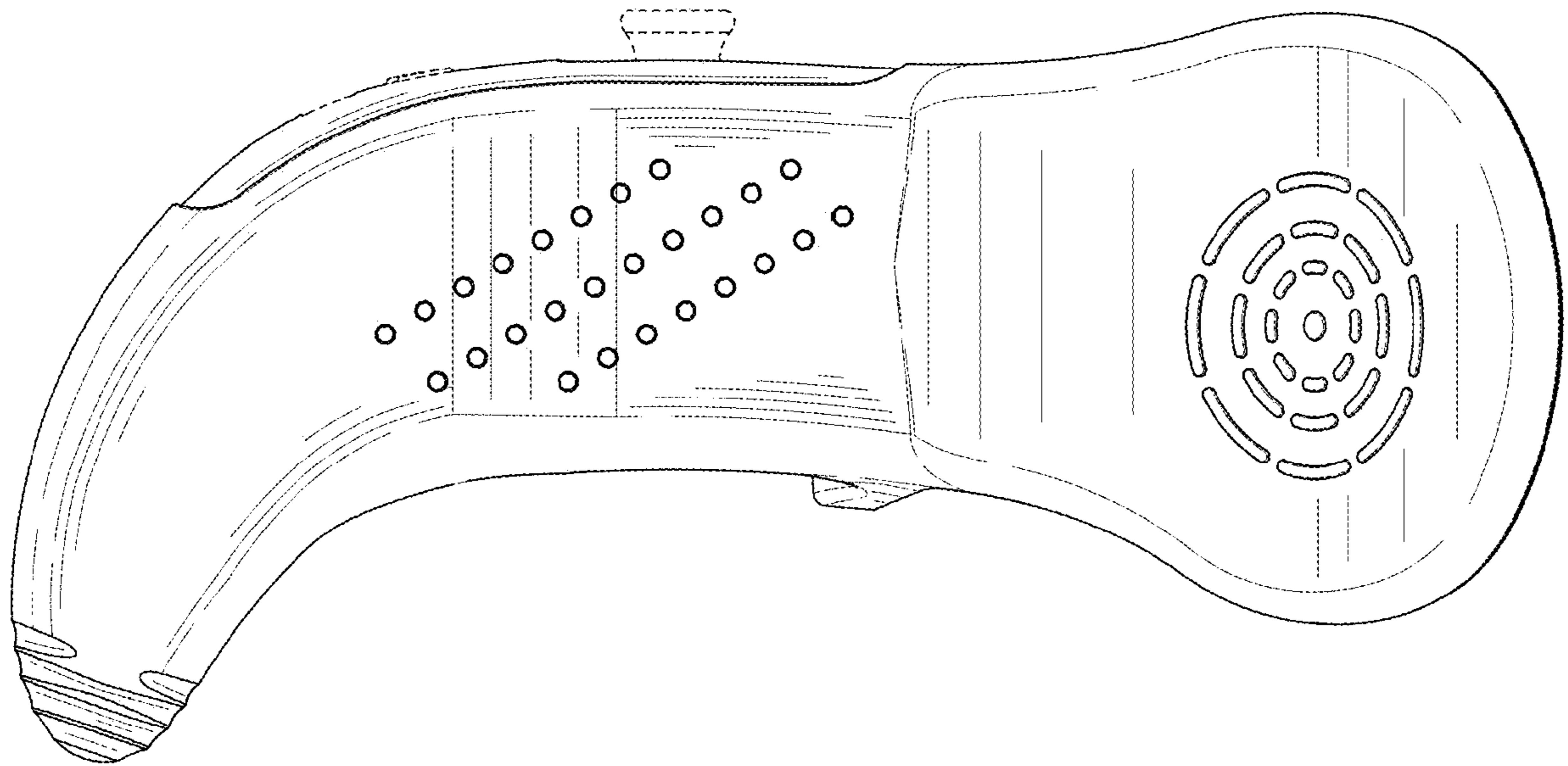


FIG. 3

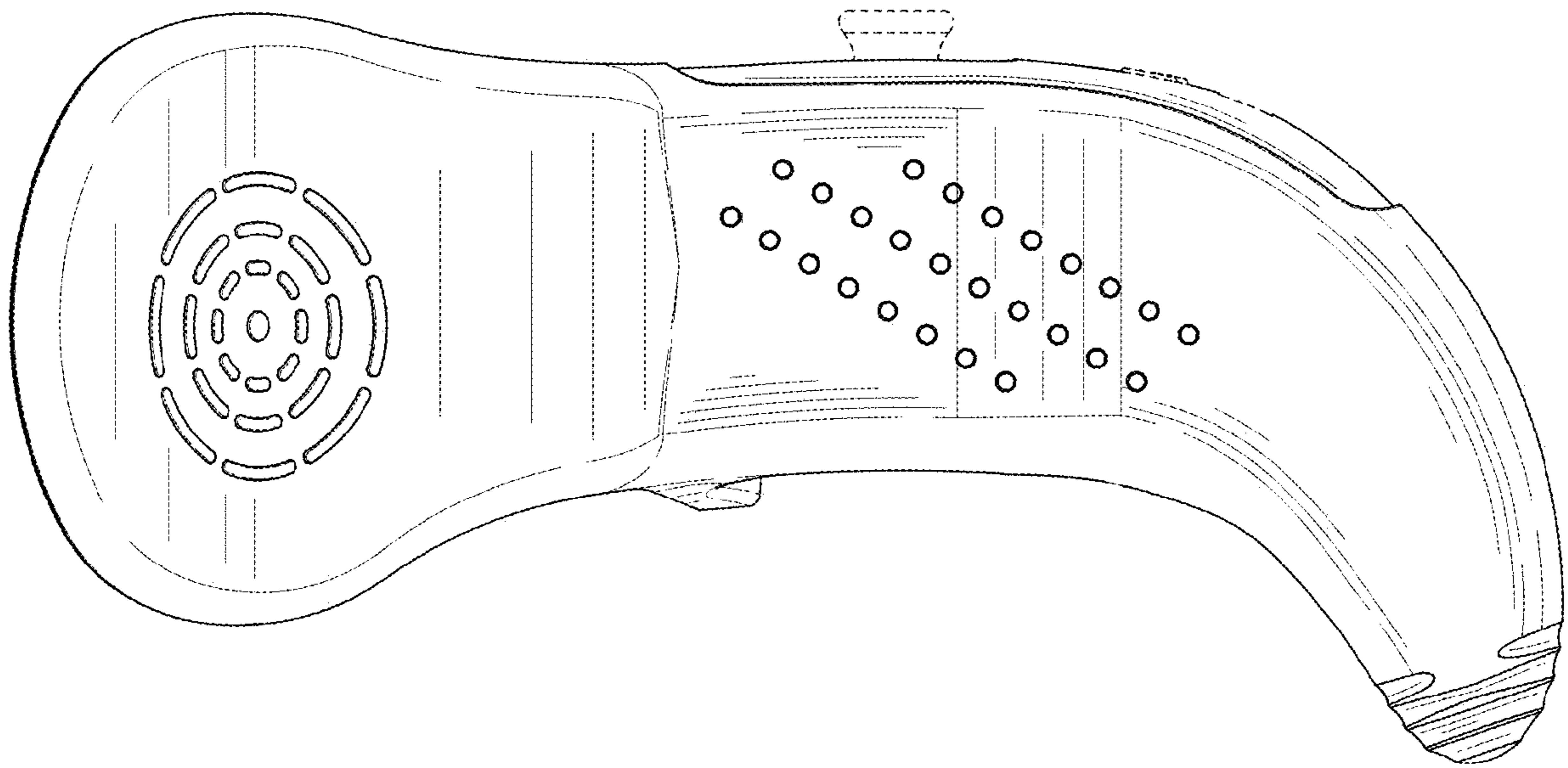


FIG. 4

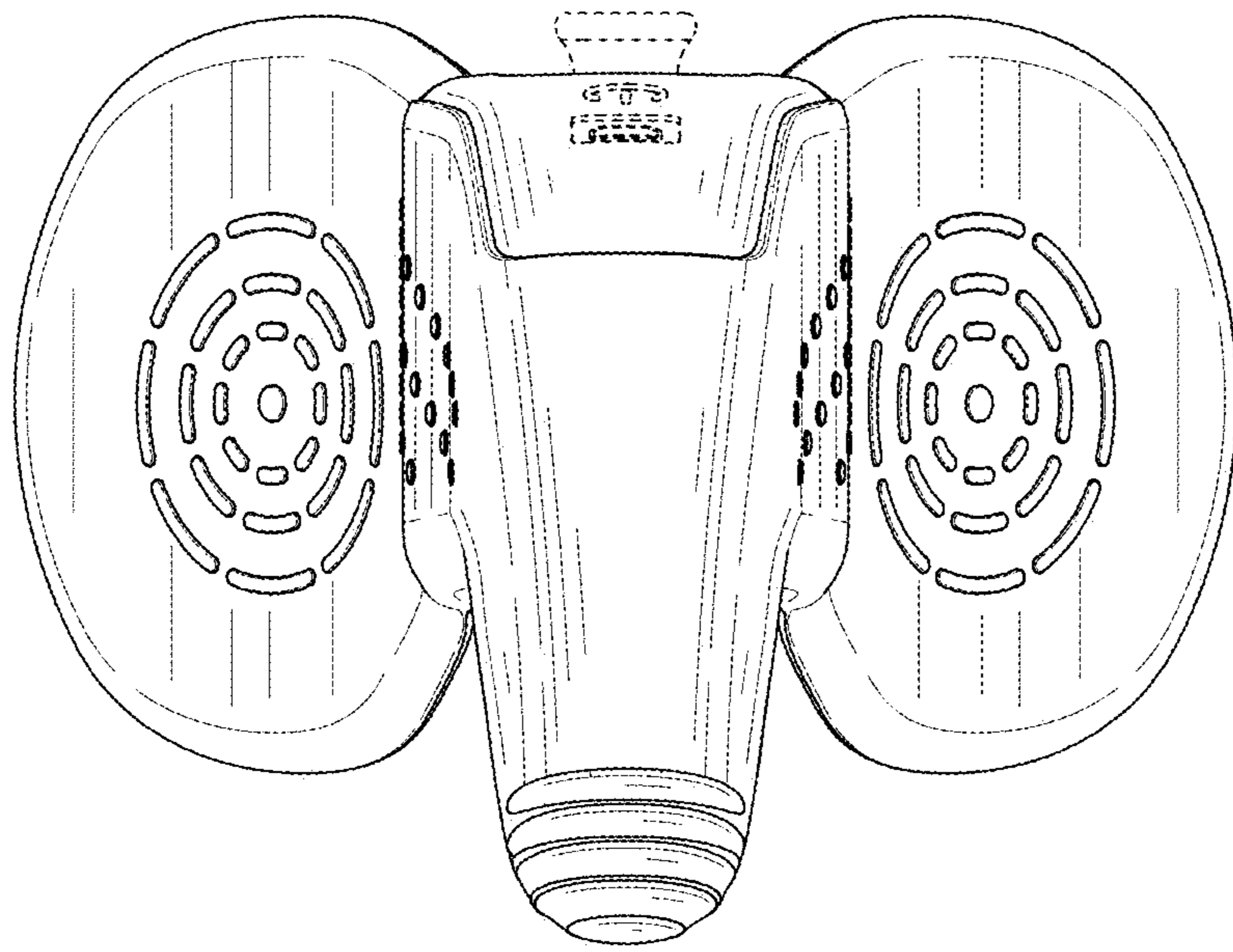


FIG. 5

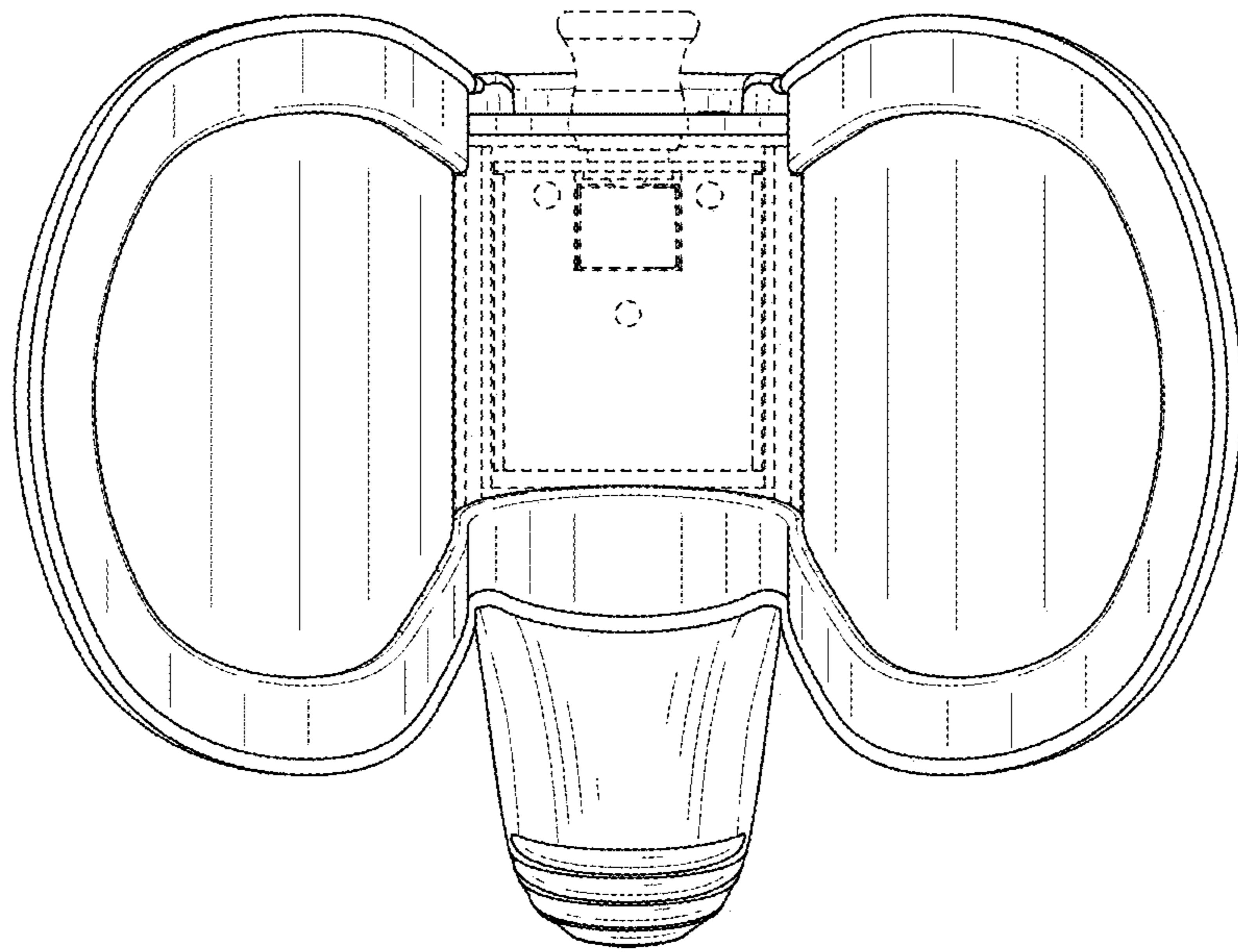


FIG. 6

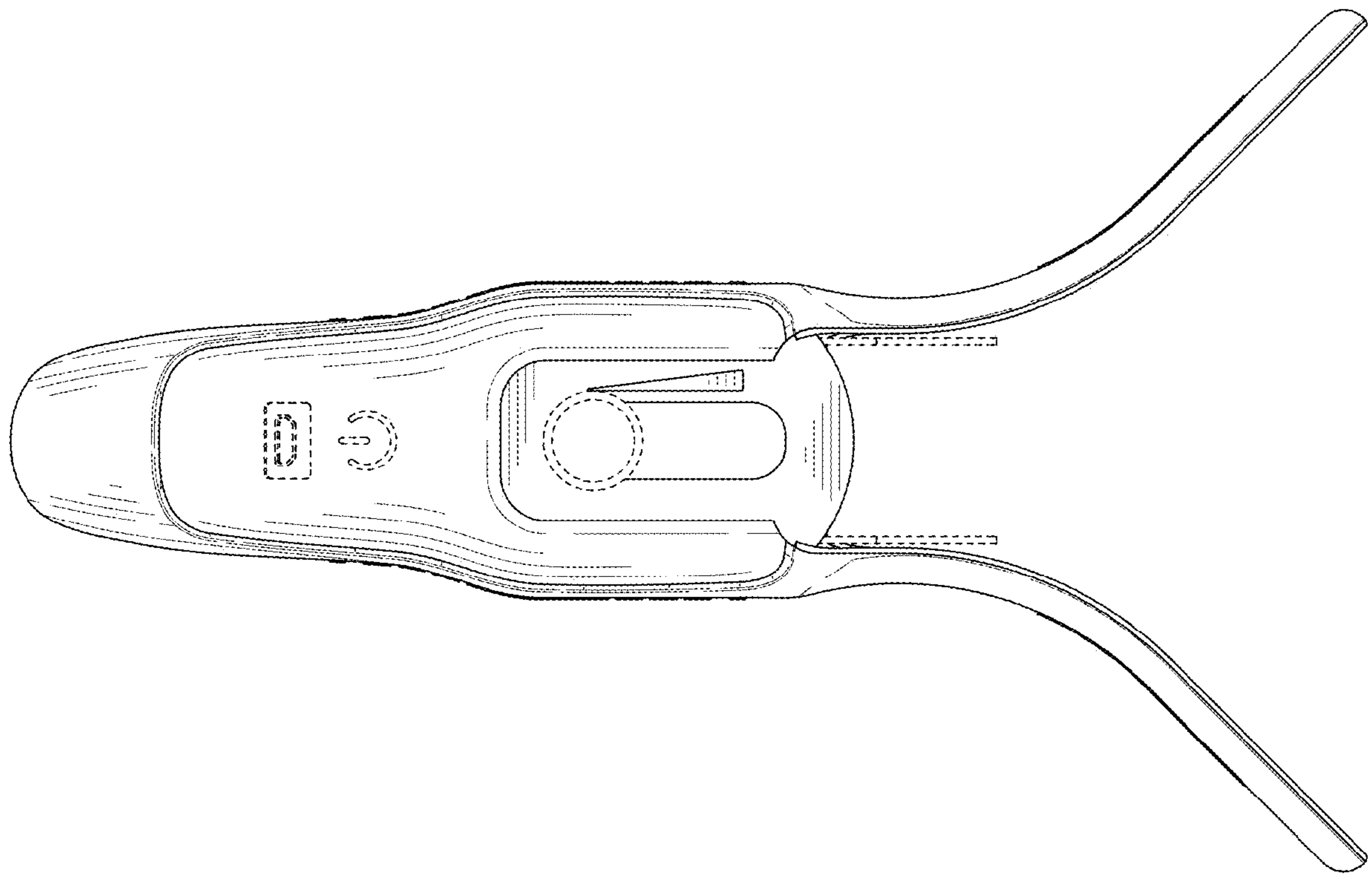


FIG. 7

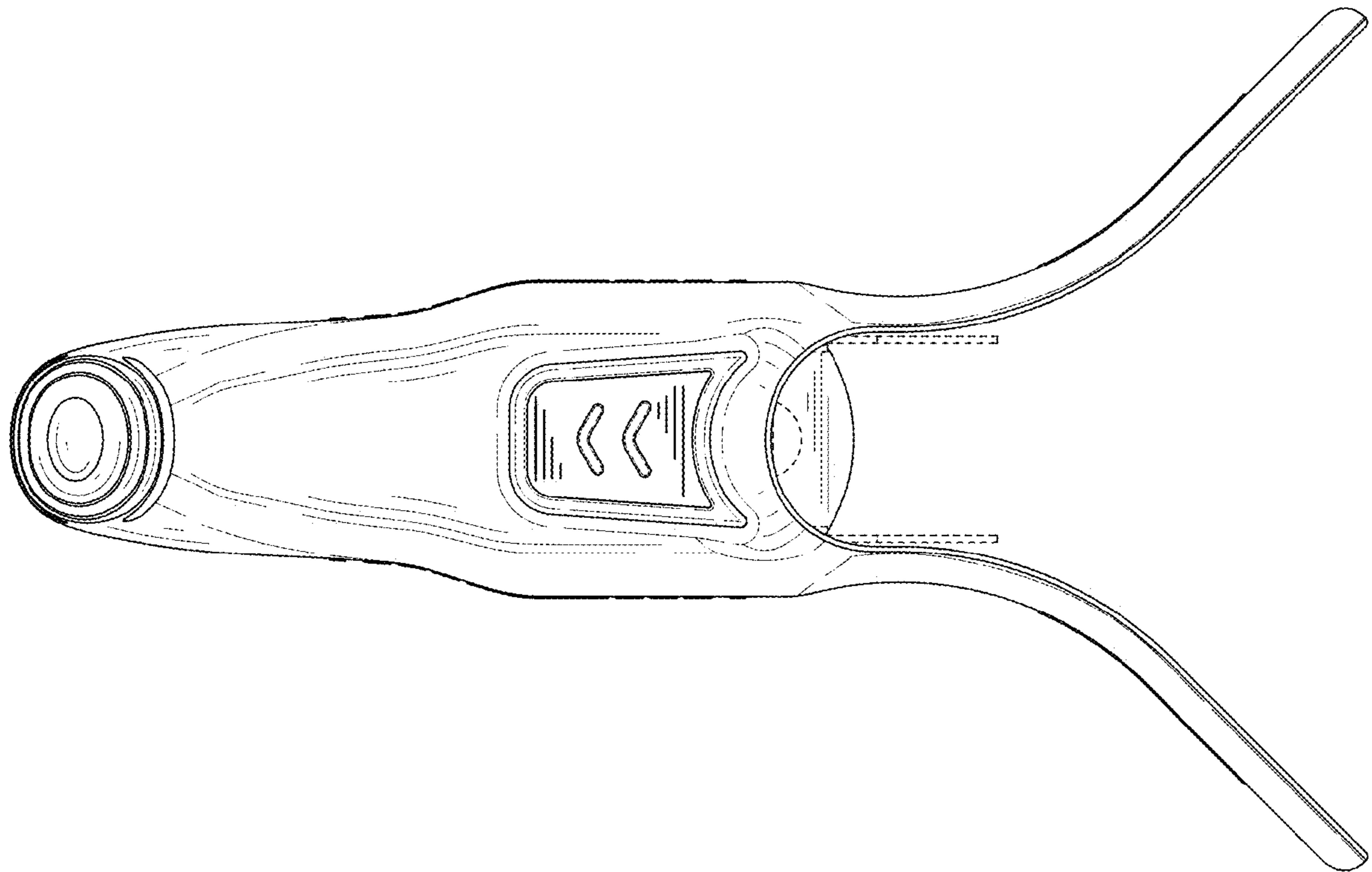


FIG. 8

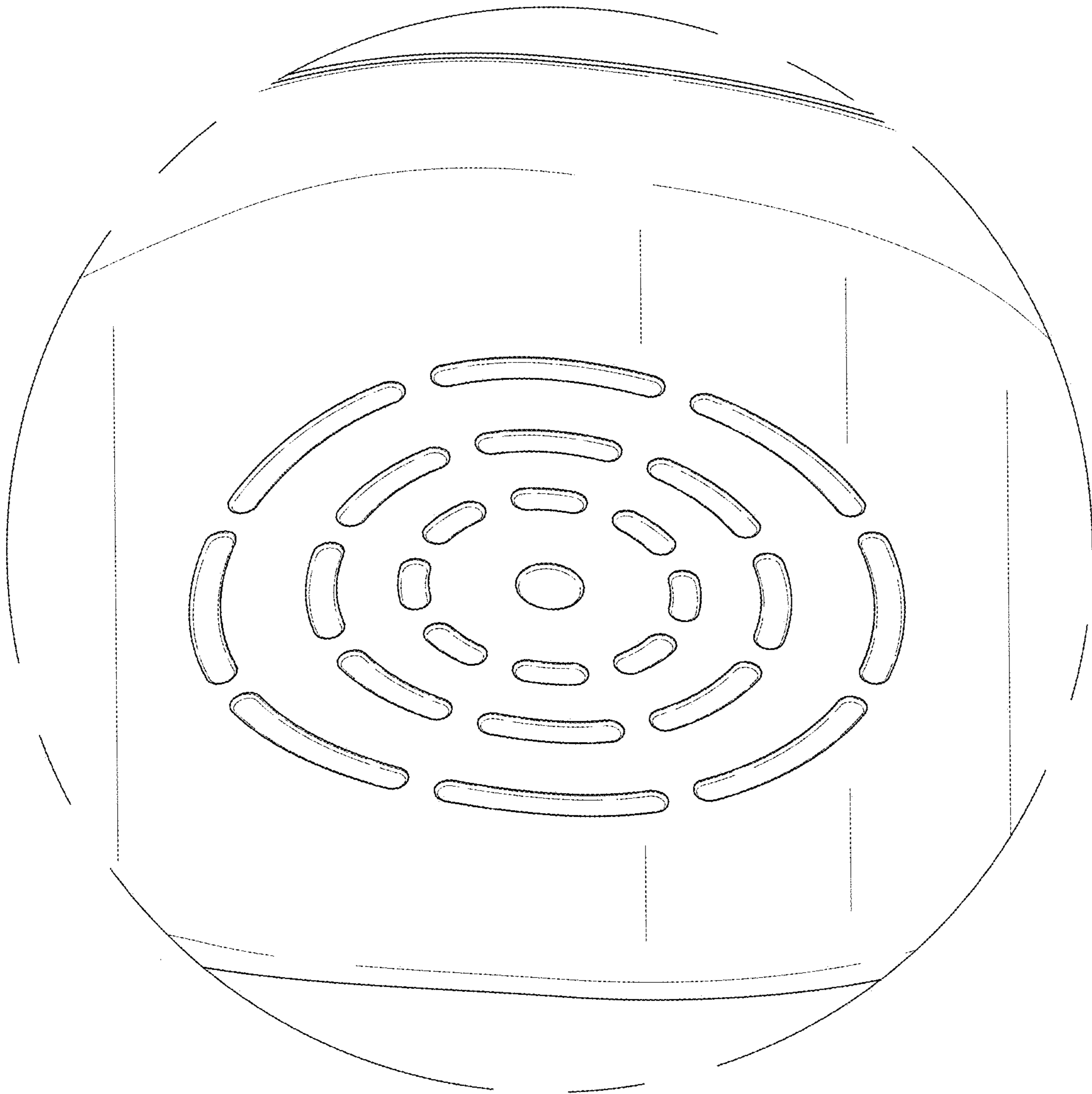


FIG. 9

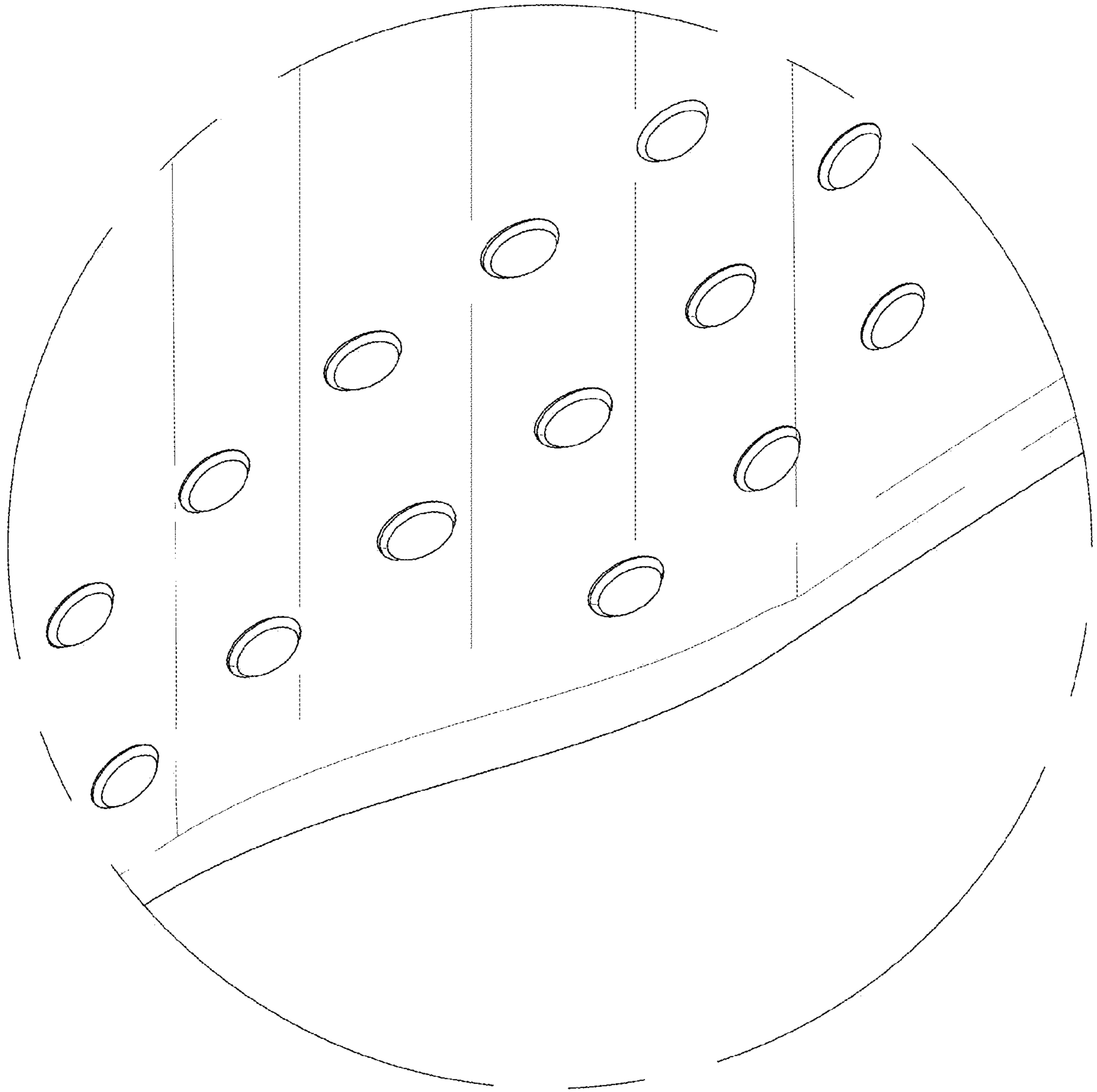


FIG. 10