



US00D912738S

(12) **United States Design Patent**
Flesher

(10) **Patent No.:** **US D912,738 S**
(45) **Date of Patent:** **** Mar. 9, 2021**

- (54) **CHILDREN’S RIDE-ON VEHICLE**
- (71) Applicant: **Mattel, Inc.**, El Segundo, CA (US)
- (72) Inventor: **Matthew Flesher**, West Falls, NY (US)
- (73) Assignee: **Mattel, Inc.**, El Segundo, CA (US)
- (**) Term: **15 Years**
- (21) Appl. No.: **29/649,246**
- (22) Filed: **May 29, 2018**
- (51) **LOC (13) Cl.** **21-01**
- (52) **U.S. Cl.**
USPC **D21/428**
- (58) **Field of Classification Search**
USPC D21/424, 431, 484, 533, 537, 553, 554,
D21/539, 562, 428, 427, 432, 414, 435,
D21/415, 584, 416, 423, 615, 627;
D15/22–30
CPC A63H 17/00; A63H 17/05; A63H 17/055;
A63H 17/06; A63H 17/08; A63H 17/12;
A63H 33/003; A63G 19/00; A63G 19/02;
A63G 19/04; A63G 13/00; A63G 13/10;
A63G 15/00; A63G 15/04
See application file for complete search history.

D725,003 S *	3/2015	Ye	D12/130
D755,306 S *	5/2016	Lee	D21/428
D869,564 S *	12/2019	van den Berg	D21/424
D889,560 S *	7/2020	Child	D21/428

* cited by examiner

Primary Examiner — Mark A Goodwin
(74) *Attorney, Agent, or Firm* — Edell, Shapiro & Finnan, LLC

(57) **CLAIM**

The ornamental design for a children’s ride-on vehicle, as shown and described.

DESCRIPTION

FIG. 1 is a top perspective view of an embodiment of a children’s ride-on vehicle according to the present invention;
 FIG. 2 is a front view of the children’s ride-on vehicle of FIG. 1;
 FIG. 3 is a rear view of the children’s ride-on vehicle of FIG. 1;
 FIG. 4 is a right side view of the children’s ride-on vehicle of FIG. 1;
 FIG. 5 is a left side view of the children’s ride-on vehicle of FIG. 1;
 FIG. 6 is a top view of the children’s ride-on vehicle of FIG. 1; and,
 FIG. 7 is a bottom view of the children’s ride-on vehicle of FIG. 1.

The broken lines shown in the figures are included for the purpose of illustrating the unclaimed portions of the children’s ride-on vehicle and form no part of the claimed design.

1 Claim, 7 Drawing Sheets

(56) **References Cited**

U.S. PATENT DOCUMENTS

D272,551 S *	2/1984	Nakao	D21/428
D290,029 S *	5/1987	Nakao	D21/428
D301,724 S *	6/1989	Tohl	D21/428
D360,237 S *	7/1995	Chiu	D21/428
D431,054 S *	9/2000	Cheng	D12/108
D454,600 S *	3/2002	Cheng	D21/424
D578,579 S *	10/2008	Seckel	D21/428
D643,480 S *	8/2011	Lai	D21/424

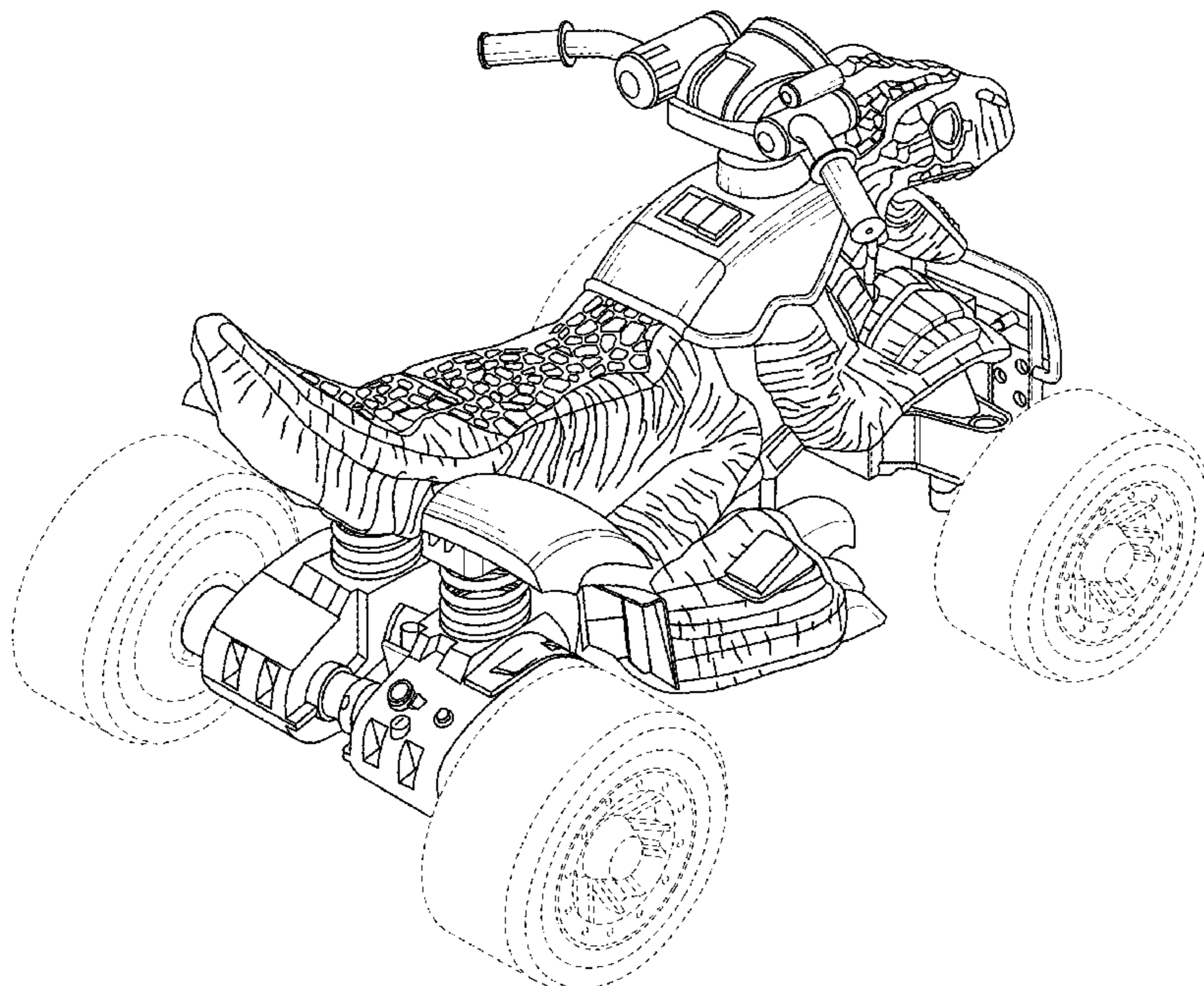




FIG. 1

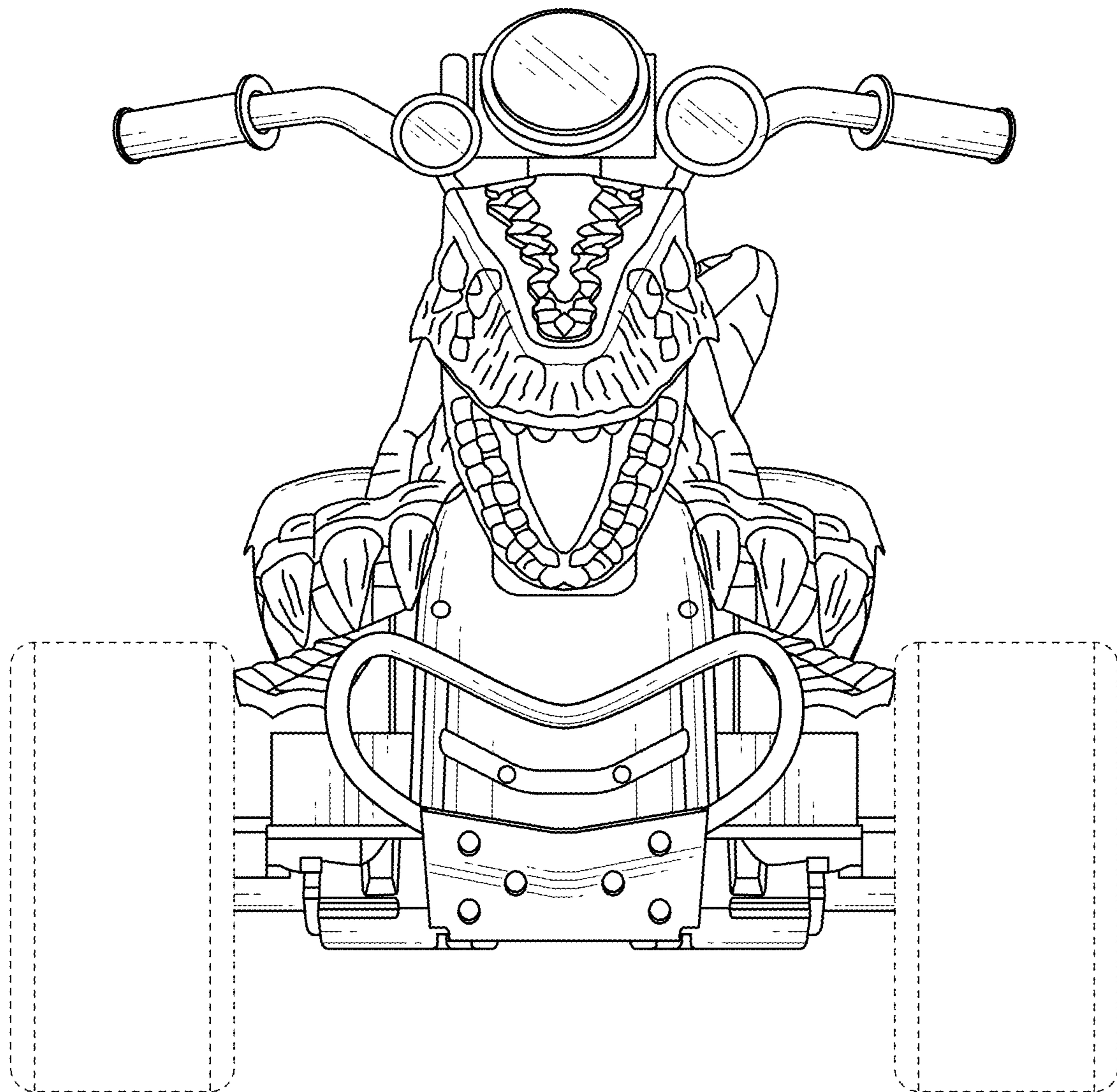


FIG. 2

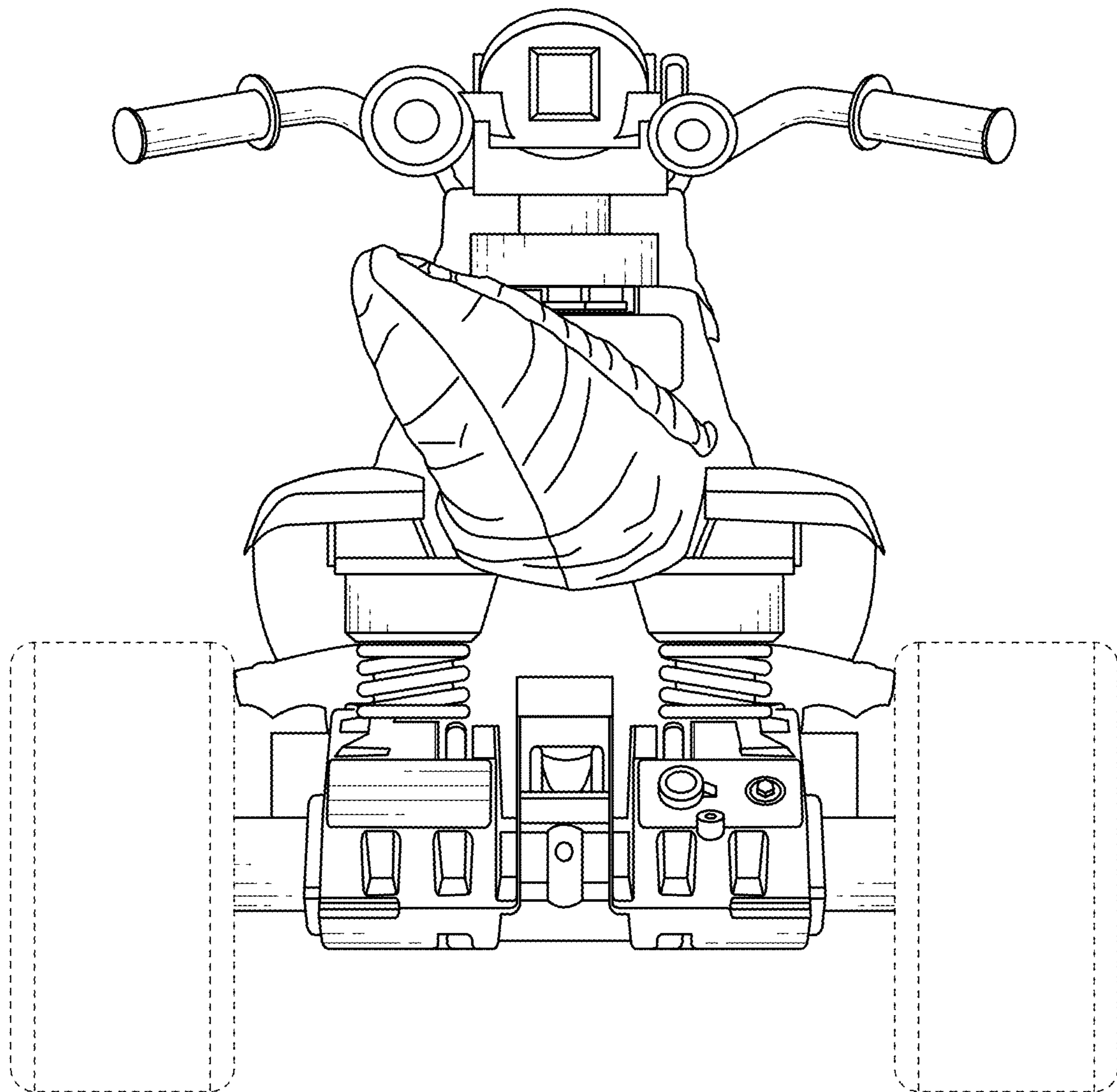


FIG. 3

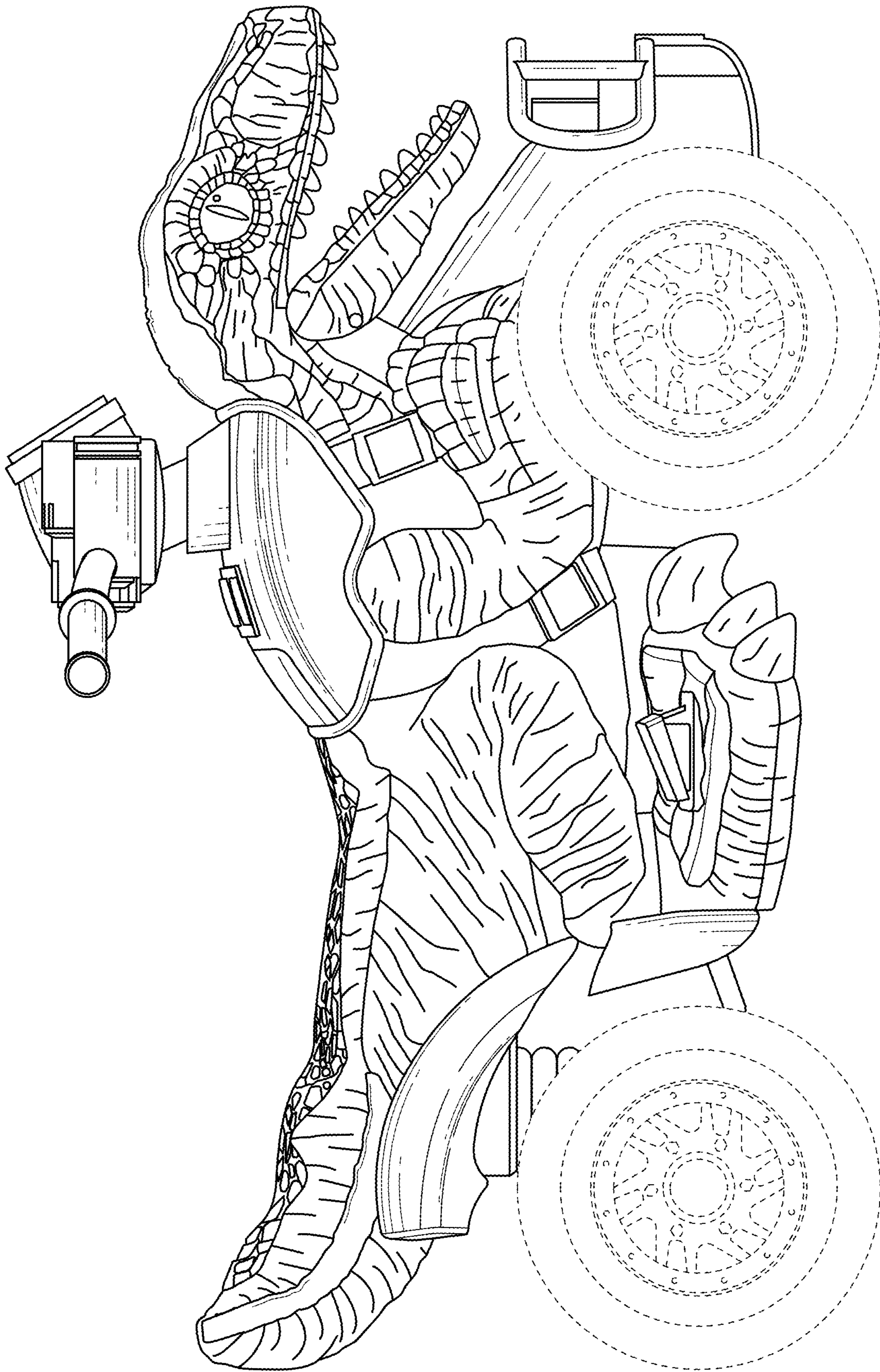


FIG. 4

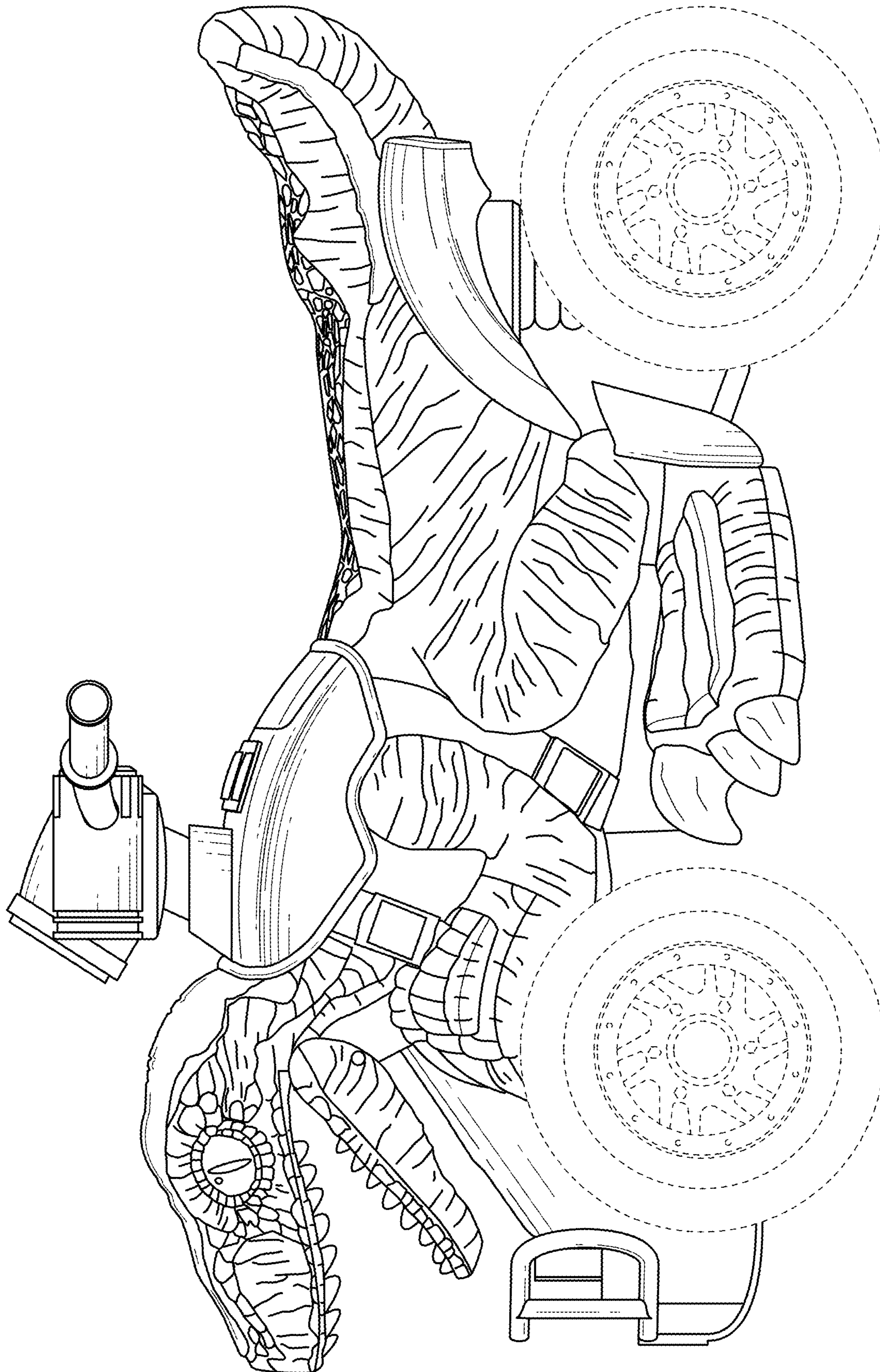


FIG. 5

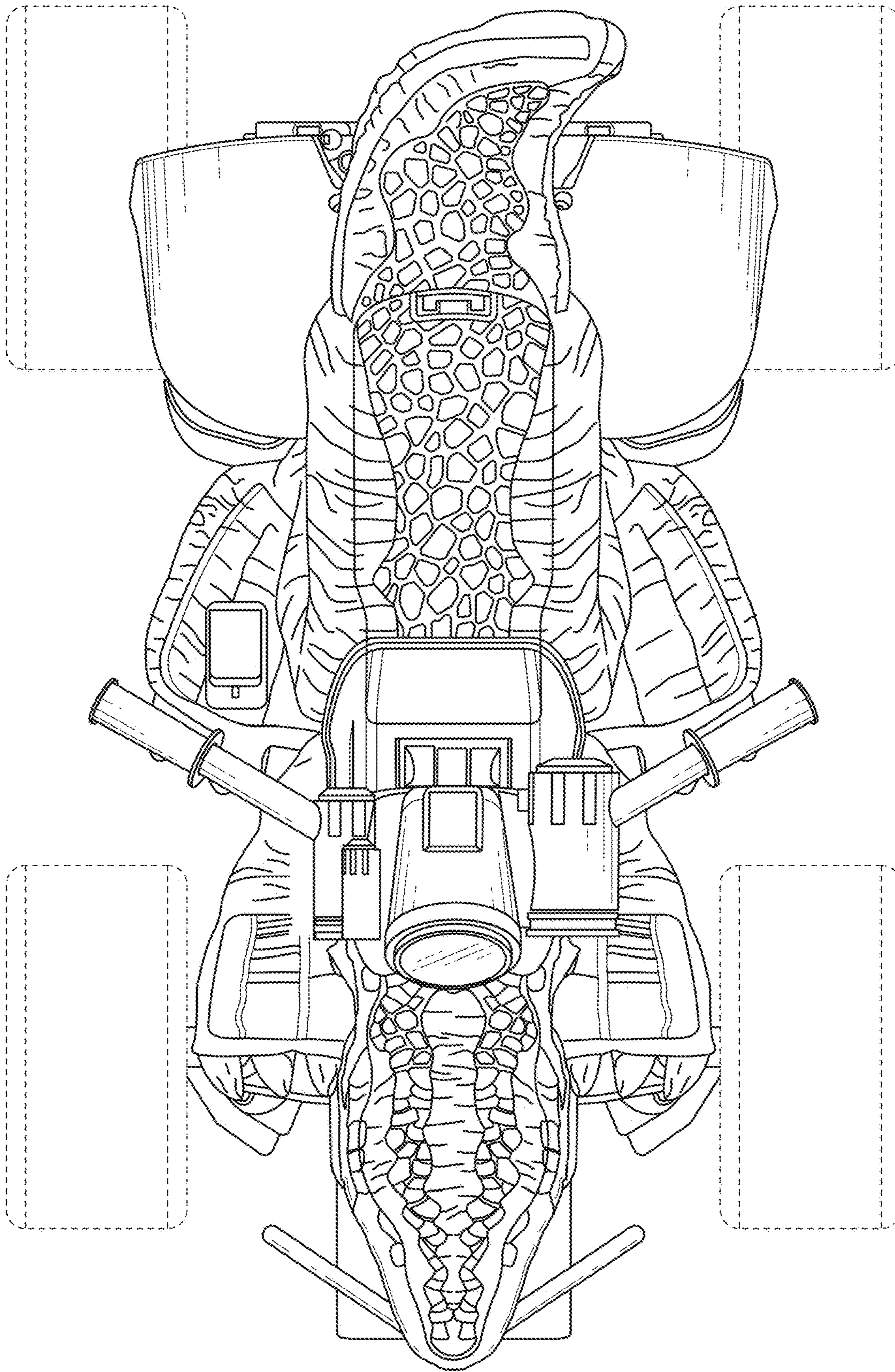


FIG. 6

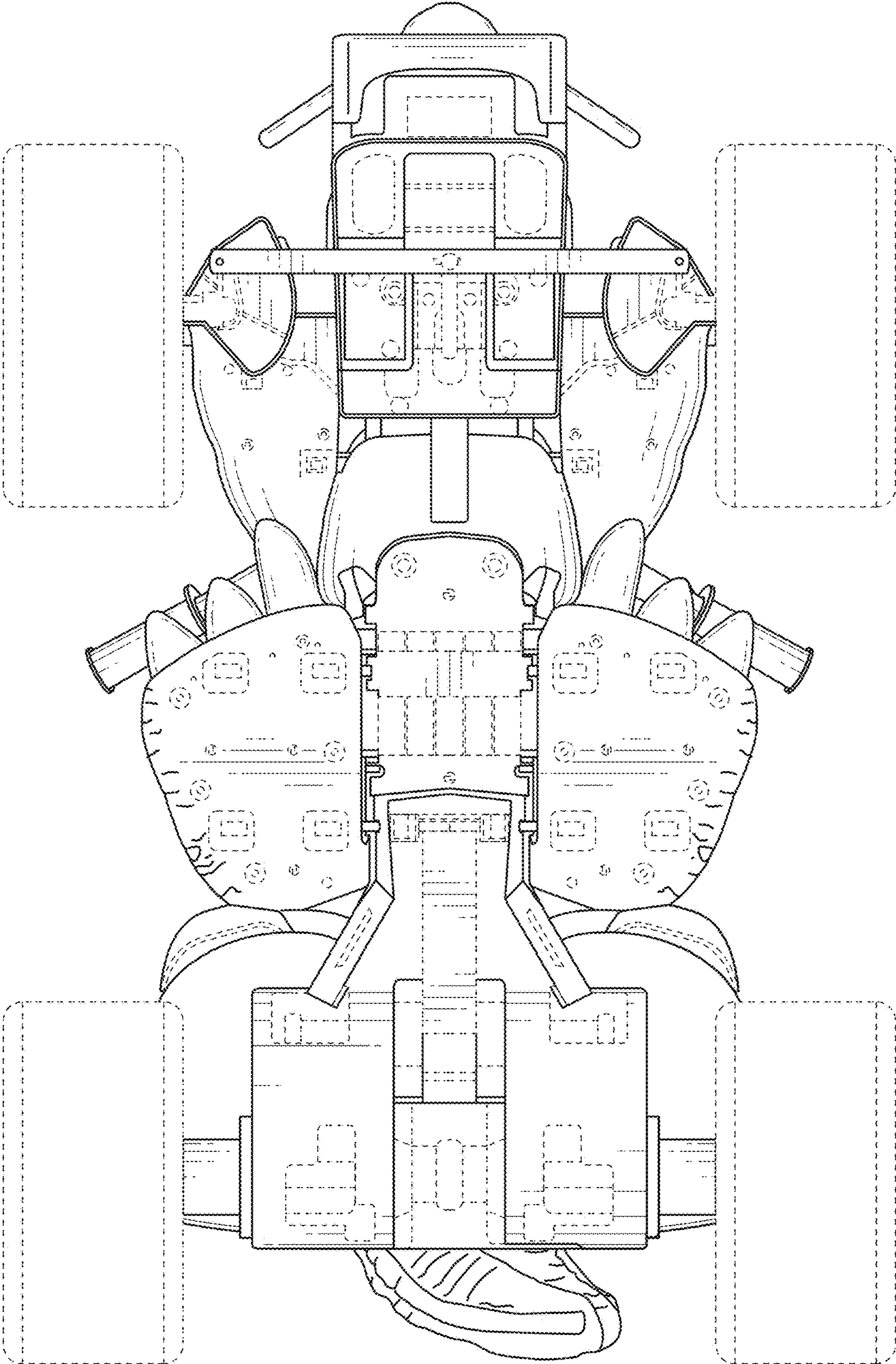


FIG. 7