



US00D912737S

(12) **United States Design Patent**
Bao

(10) **Patent No.:** **US D912,737 S**
(45) **Date of Patent:** **** Mar. 9, 2021**

- (54) **SWING CAR**
- (71) Applicant: **Hongzhi Bao**, Taizhou (CN)
- (72) Inventor: **Hongzhi Bao**, Taizhou (CN)
- (**) Term: **15 Years**
- (21) Appl. No.: **29/715,190**
- (22) Filed: **Nov. 28, 2019**
- (51) **LOC (13) Cl.** **21-01**
- (52) **U.S. Cl.**
USPC **D21/424**
- (58) **Field of Classification Search**
USPC D21/412, 414-417, 419, 424, 426-429,
D21/433
CPC A63G 19/00; A63G 19/02; A63G 19/04;
A63G 13/00; A63G 13/10; A63G 15/00;
A63G 15/04
See application file for complete search history.

6,712,167 B2 *	3/2004	Gu	B62K 9/00	180/206.5
D745,609 S *	12/2015	Xu	D21/426	
D867,469 S *	11/2019	Bao	D21/424	
2001/0050470 A1 *	12/2001	Gu	B62K 21/00	280/211
2002/0074180 A1 *	6/2002	Gu	B62K 9/00	180/312
2002/0084616 A1 *	7/2002	Gu	B62K 9/00	280/218
2002/0089136 A1 *	7/2002	Gu	B62K 3/002	280/87.021

* cited by examiner

Primary Examiner — Cynthia M. Chin

(57) **CLAIM**

The ornamental design for a “swing car”, as shown and described.

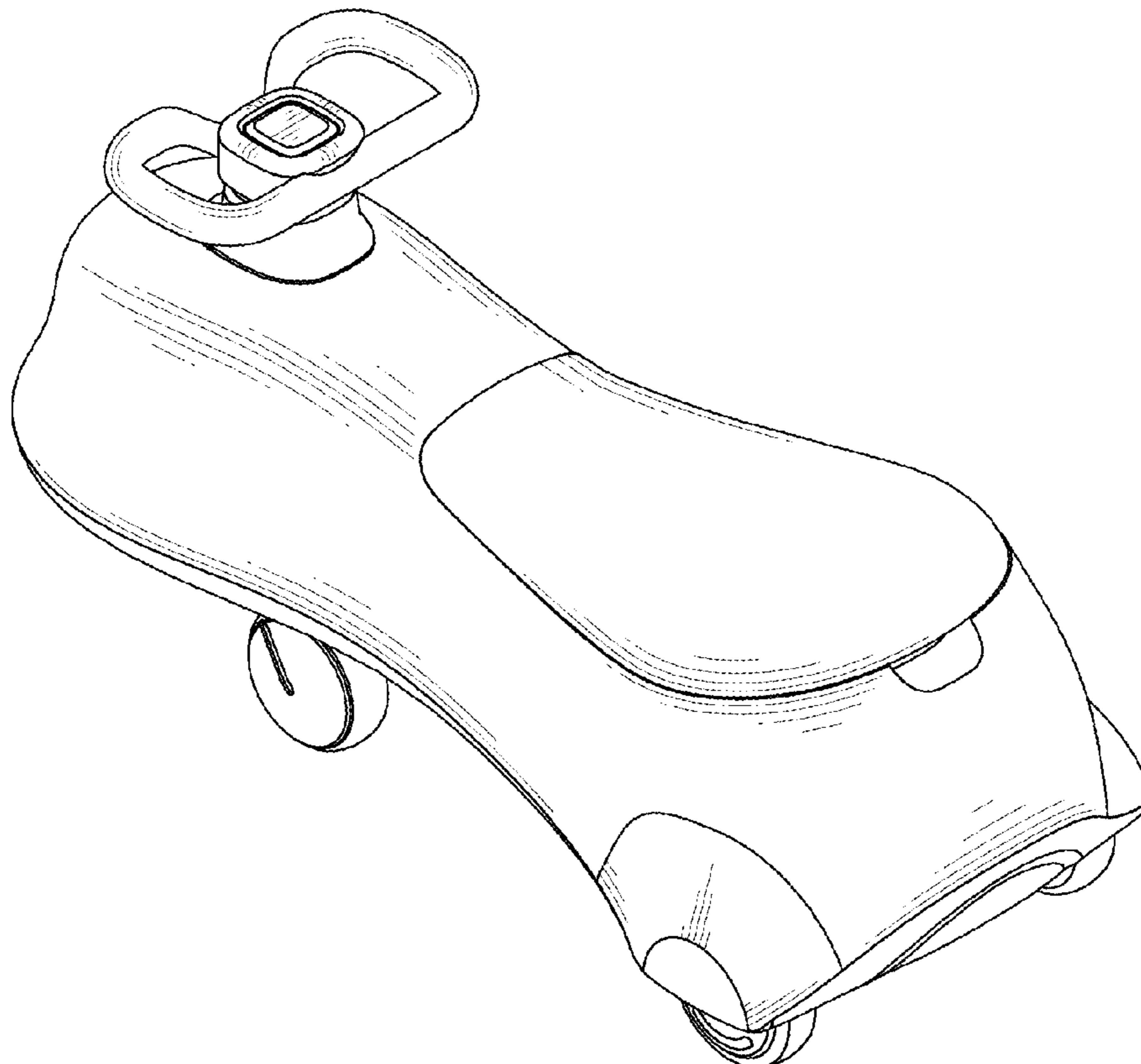
DESCRIPTION

FIG. 1 is a front, top and right side perspective view of a swing car, showing my new design;
FIG. 2 is a front view thereof;
FIG. 3 is a rear view thereof;
FIG. 4 is a left side view thereof;
FIG. 5 is a right side view thereof;
FIG. 6 is a top plan view thereof; and,
FIG. 7 is a bottom plan view thereof.

1 Claim, 7 Drawing Sheets

(56) **References Cited**
U.S. PATENT DOCUMENTS

D448,430 S *	9/2001	Wang	D21/424
6,386,304 B1 *	5/2002	Wang	A63G 25/00
				180/65.1
6,431,566 B1 *	8/2002	Gu	B62K 3/002
				16/48
6,619,677 B2 *	9/2003	Wei	A63G 19/00
				280/87.021



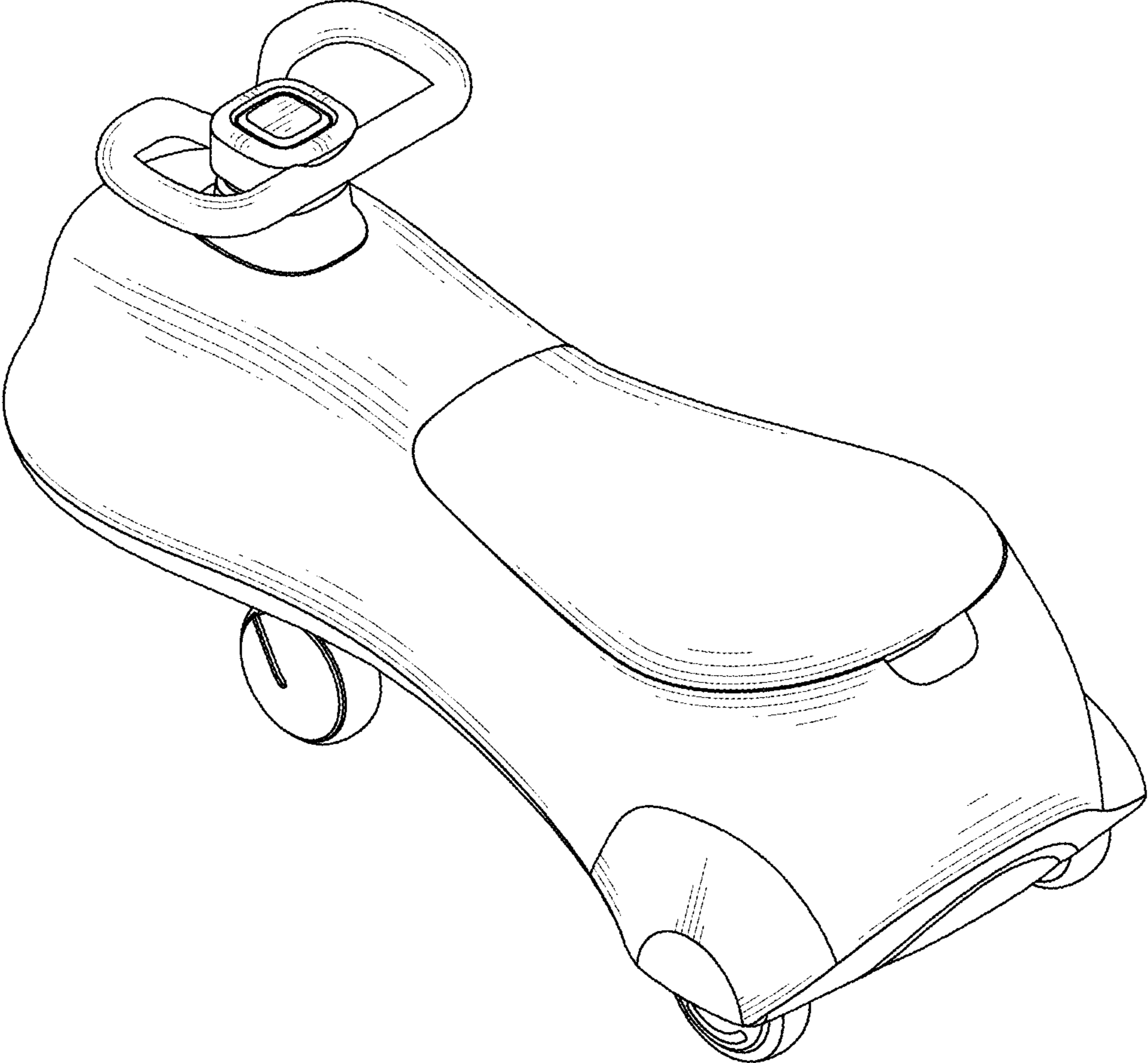


FIG. 1

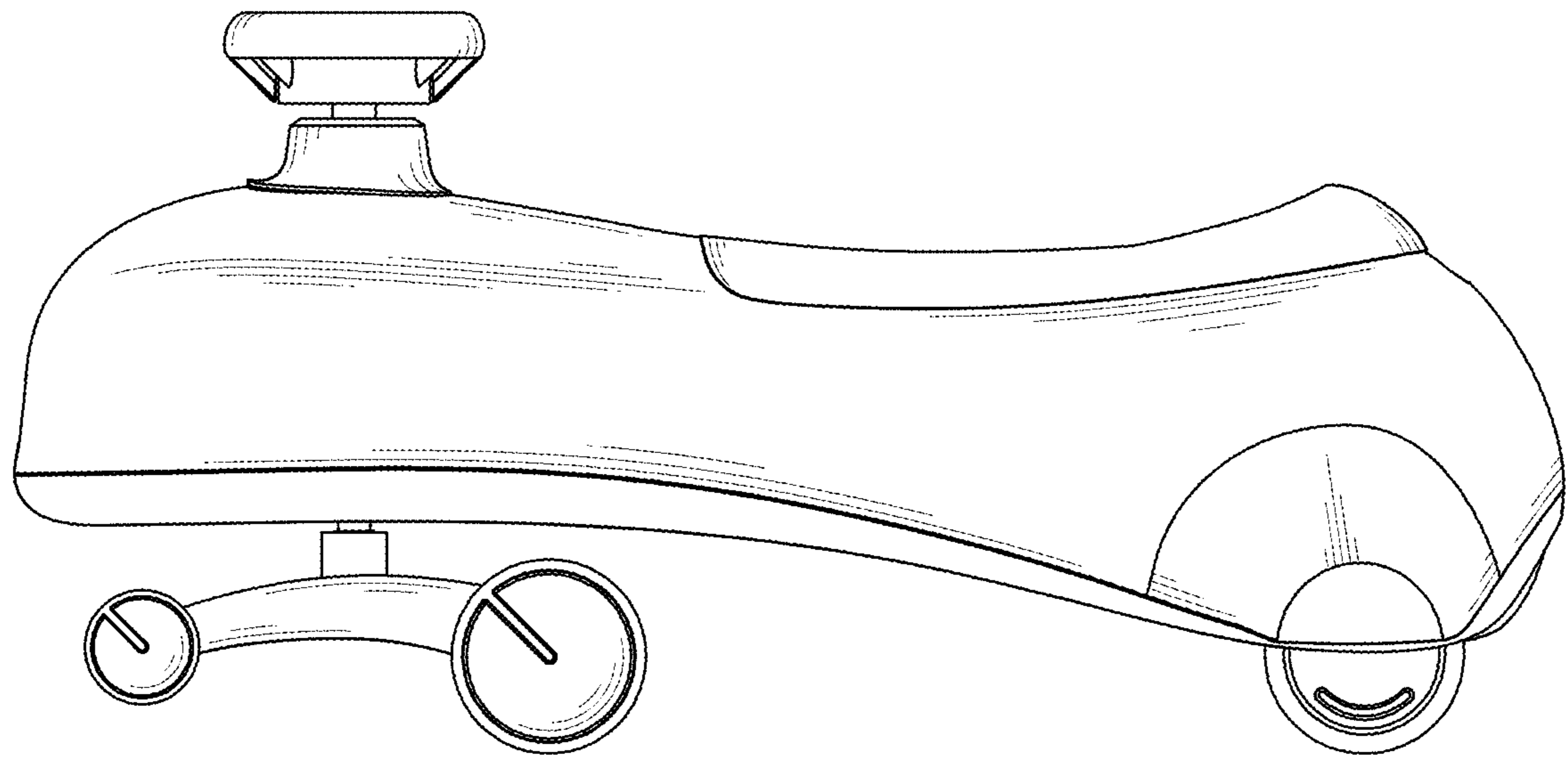


FIG. 2

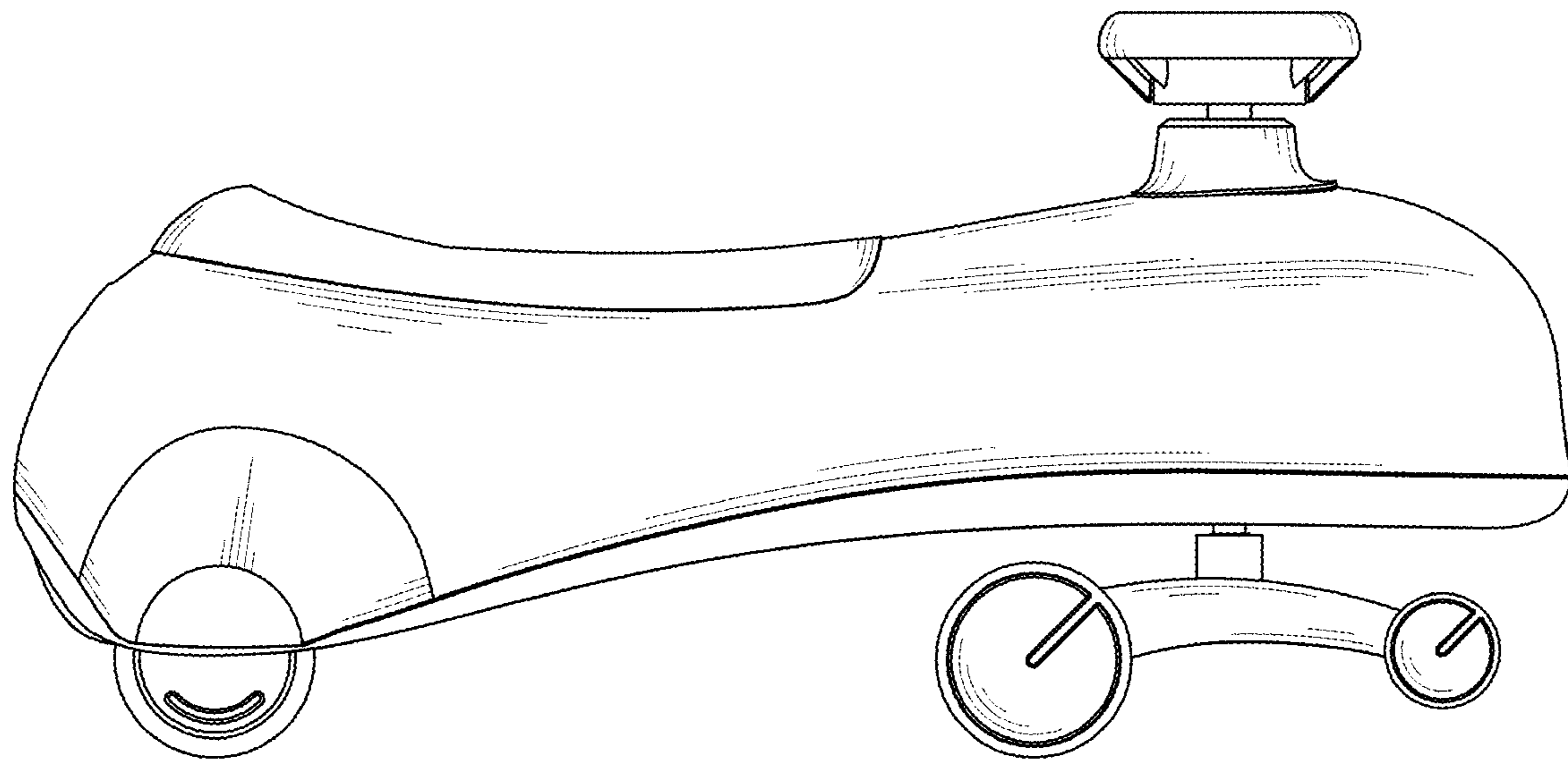


FIG. 3

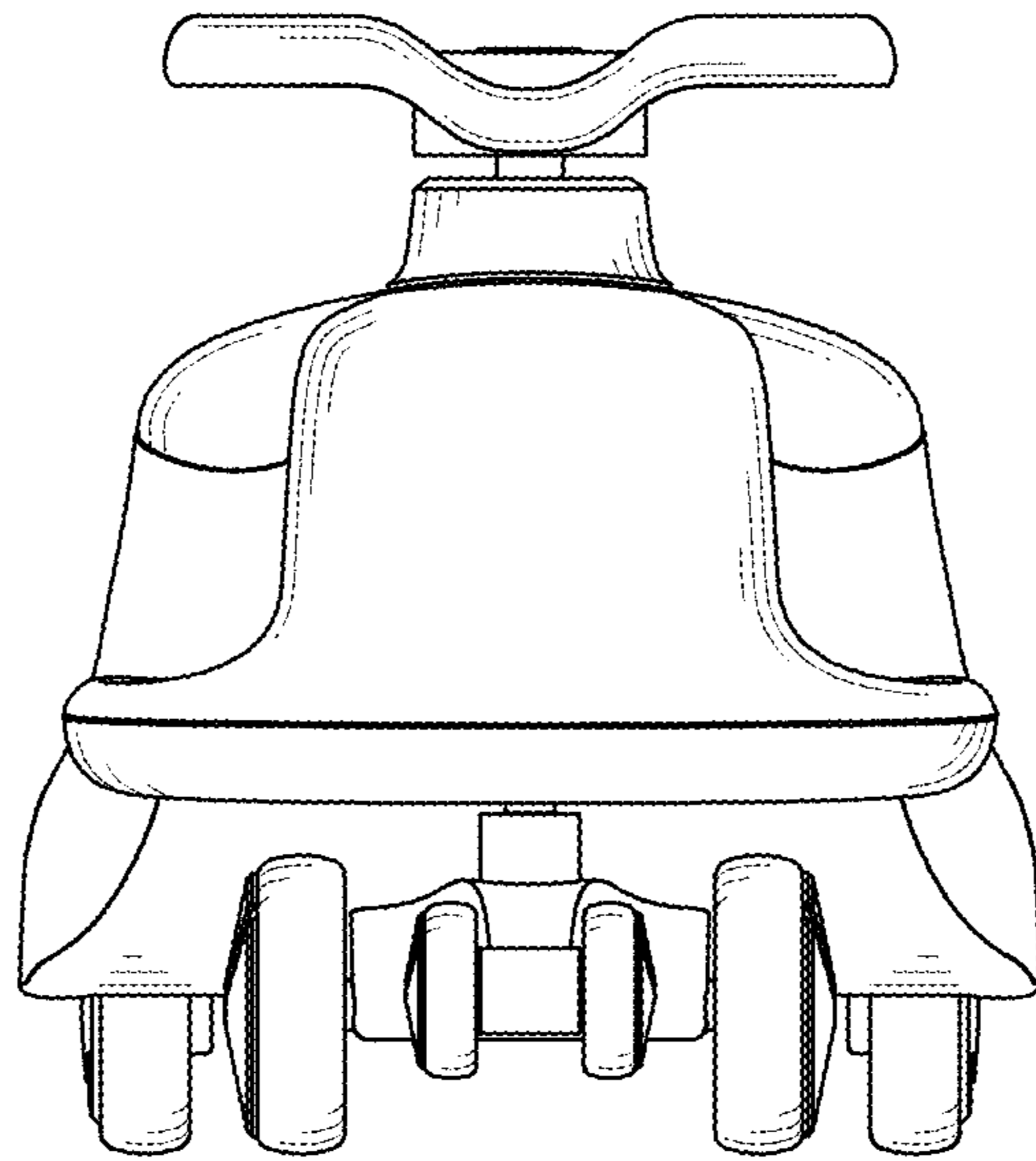


FIG. 4

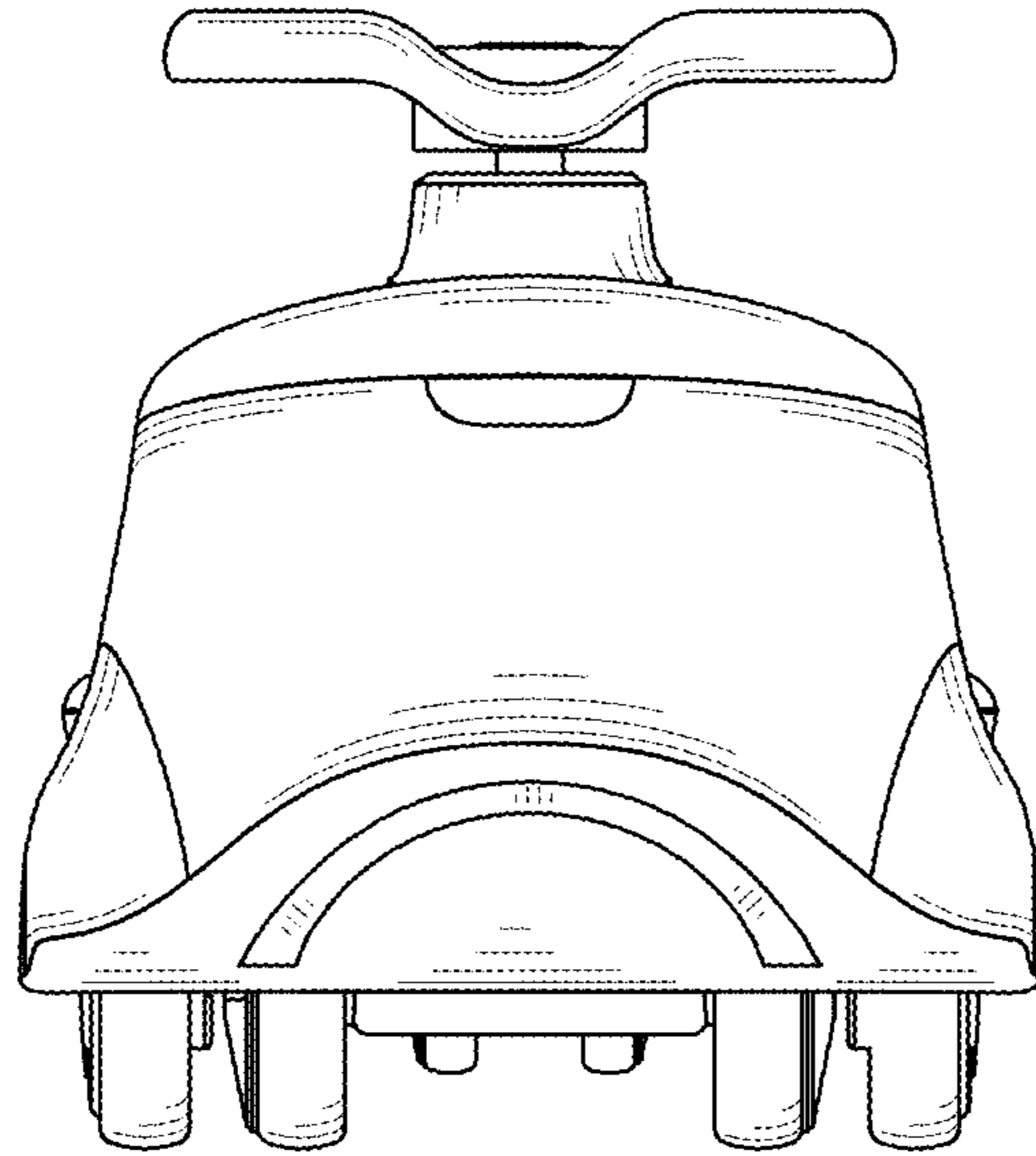


FIG. 5

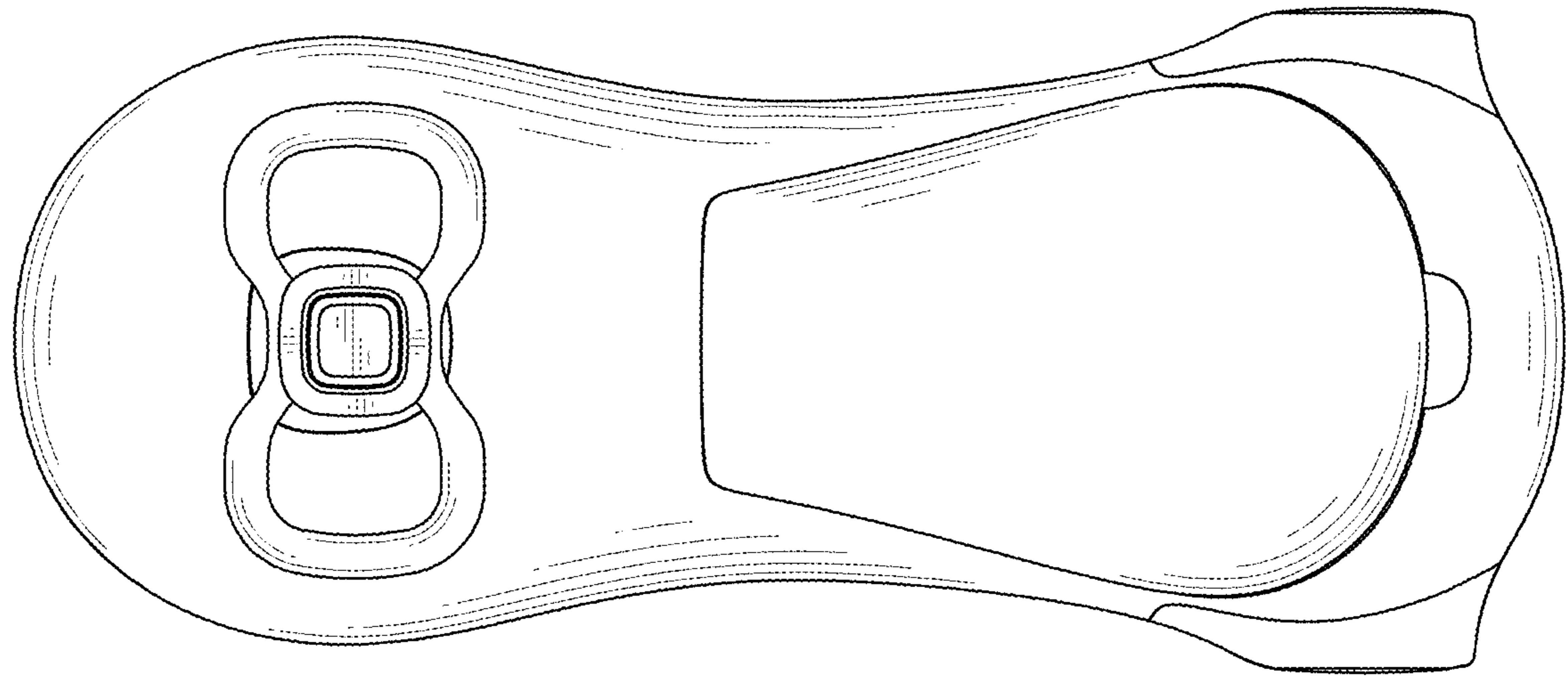


FIG. 6

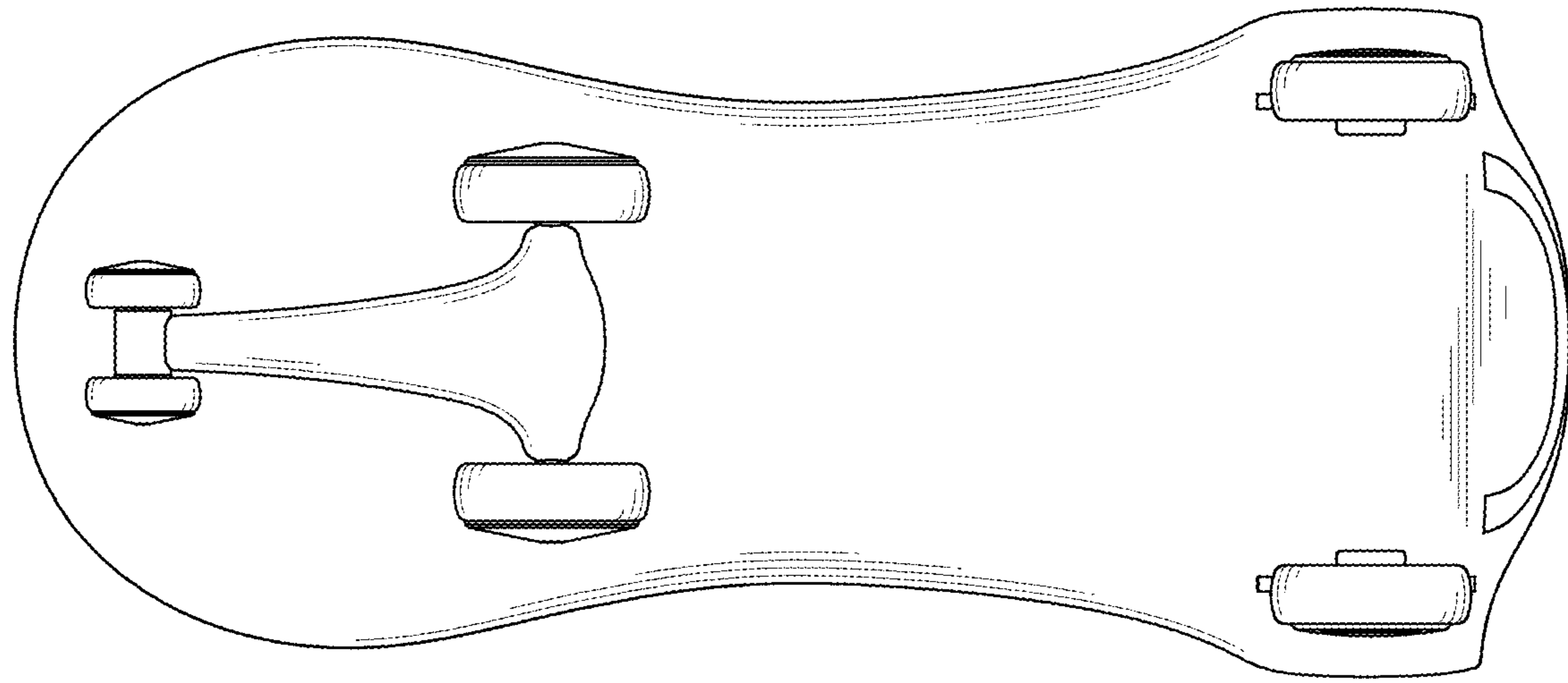


FIG. 7