



US00D912734S

(12) **United States Design Patent**
Yang

(10) **Patent No.:** **US D912,734 S**

(45) **Date of Patent:** **** Mar. 9, 2021**

(54) **GAME CONTROLLER**

(71) Applicant: **Yumei Yang**, Shenzhen (CN)

(72) Inventor: **Yumei Yang**, Shenzhen (CN)

(**) Term: **15 Years**

(21) Appl. No.: **29/744,563**

(22) Filed: **Jul. 29, 2020**

(30) **Foreign Application Priority Data**

Jul. 1, 2020 (CN) 202030348052.4

(51) **LOC (13) Cl.** **30-99**

(52) **U.S. Cl.**
USPC **D21/333**

(58) **Field of Classification Search**
USPC D21/324, 333; D14/218, 356, 387, 388,
D14/389, 390, 399-406, 412-416, 426,
D14/429, 443, 448, 449, 450, 454, 471,
D14/496, 511; D12/174, 177;
D13/164-168
CPC A63F 13/00; A63F 13/10; A63F 13/02;
A63F 13/06; A63F 13/04
See application file for complete search history.

(56) **References Cited**

U.S. PATENT DOCUMENTS

D715,865 S *	10/2014	Morris	D21/333
D766,902 S *	9/2016	Bellinghausen	D14/401
D768,786 S *	10/2016	Seflic	D21/333
D794,129 S *	8/2017	Kujawski	D21/333
D794,717 S *	8/2017	Kujawski	D21/333
D801,893 S *	11/2017	Simoens	D12/174
D806,078 S *	12/2017	Goldman	D14/401
D808,968 S *	1/2018	Tang	D14/401
D816,170 S *	4/2018	Chatterjee	D21/333
D816,674 S *	5/2018	Wu	D14/401
D819,641 S *	6/2018	Tsuchiya	D14/401

D823,945 S	7/2018	Falc et al.	
D847,904 S *	5/2019	Chatterjee D21/333
D849,147 S *	5/2019	Strahle D21/333
D856,334 S *	8/2019	Salter D14/401
D867,460 S *	11/2019	Yan D21/333
D871,505 S *	12/2019	Wang D21/333
D872,183 S *	1/2020	Chatterjee D21/333
D872,184 S *	1/2020	Chatterjee D21/333
D878,475 S *	3/2020	Jetter D21/333
D881,281 S *	4/2020	Tong D21/333
D882,691 S *	4/2020	Tsuchiya D21/333
D885,387 S *	5/2020	Hu D14/401
D888,832 S *	6/2020	Tong D21/333
D890,263 S *	7/2020	Tong D21/333
D897,441 S *	9/2020	Yang D21/333
D898,124 S *	10/2020	Tong D21/333
10,806,994 B2 *	10/2020	Chou A63F 13/24
2018/0207523 A1 *	7/2018	Lyden A63F 13/214
2018/0250587 A1 *	9/2018	Strahle A63F 13/25
2020/0054942 A1 *	2/2020	Strahle A63F 13/98

* cited by examiner

Primary Examiner — Sandra Snapp
Assistant Examiner — Mehri Bajoul

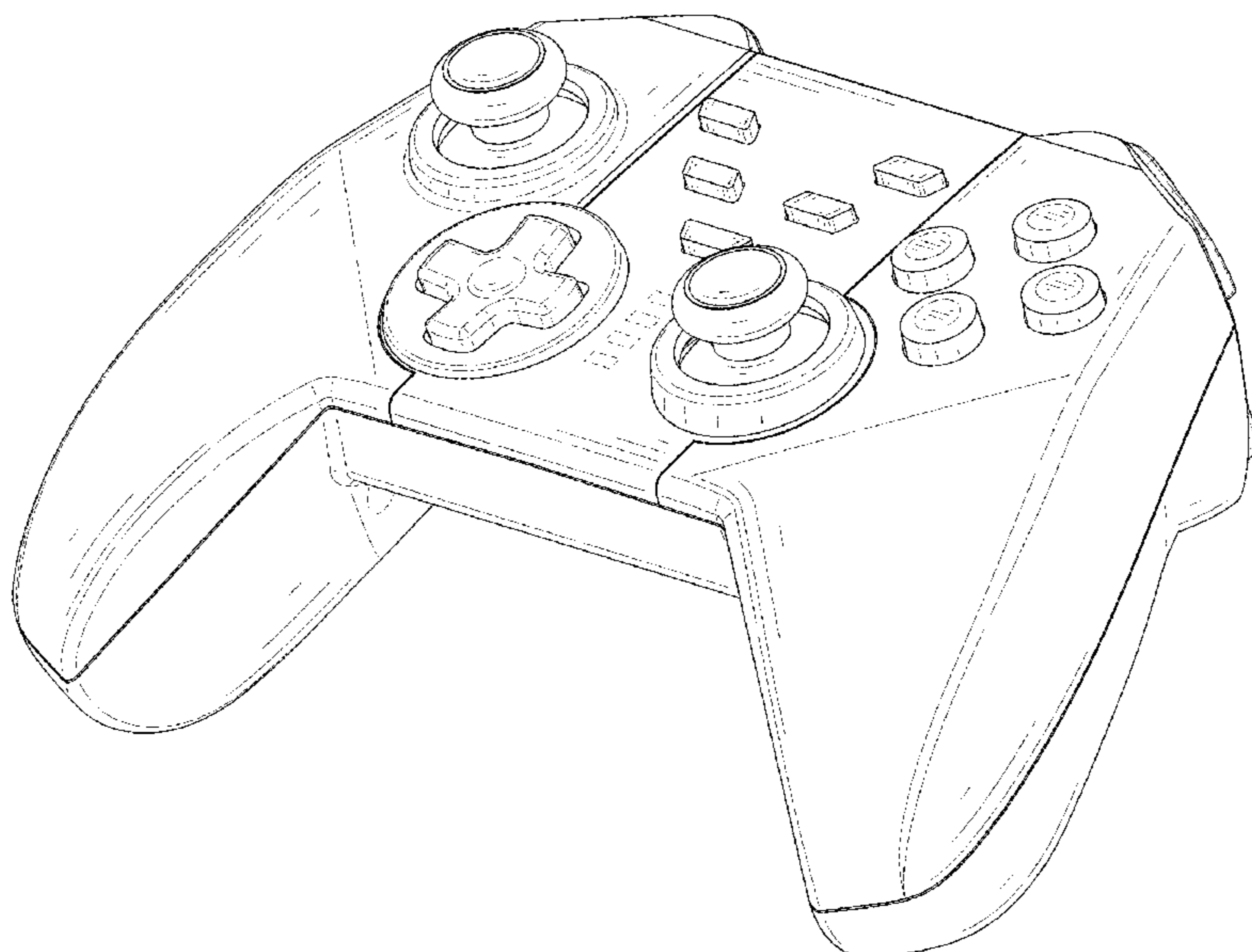
(57) **CLAIM**

The ornamental design for a game controller, as shown and described.

DESCRIPTION

FIG. 1 is a perspective view of a game controller showing my new design;
FIG. 2 is another perspective view thereof;
FIG. 3 is a front elevational view thereof;
FIG. 4 is a rear elevational view thereof;
FIG. 5 is a left side elevational view thereof;
FIG. 6 is a right side elevational view thereof;
FIG. 7 is a top plan view thereof; and,
FIG. 8 is a bottom plan view thereof.
The broken lines in the drawings depict portions of the game controller that form no part of the claimed design.

1 Claim, 8 Drawing Sheets



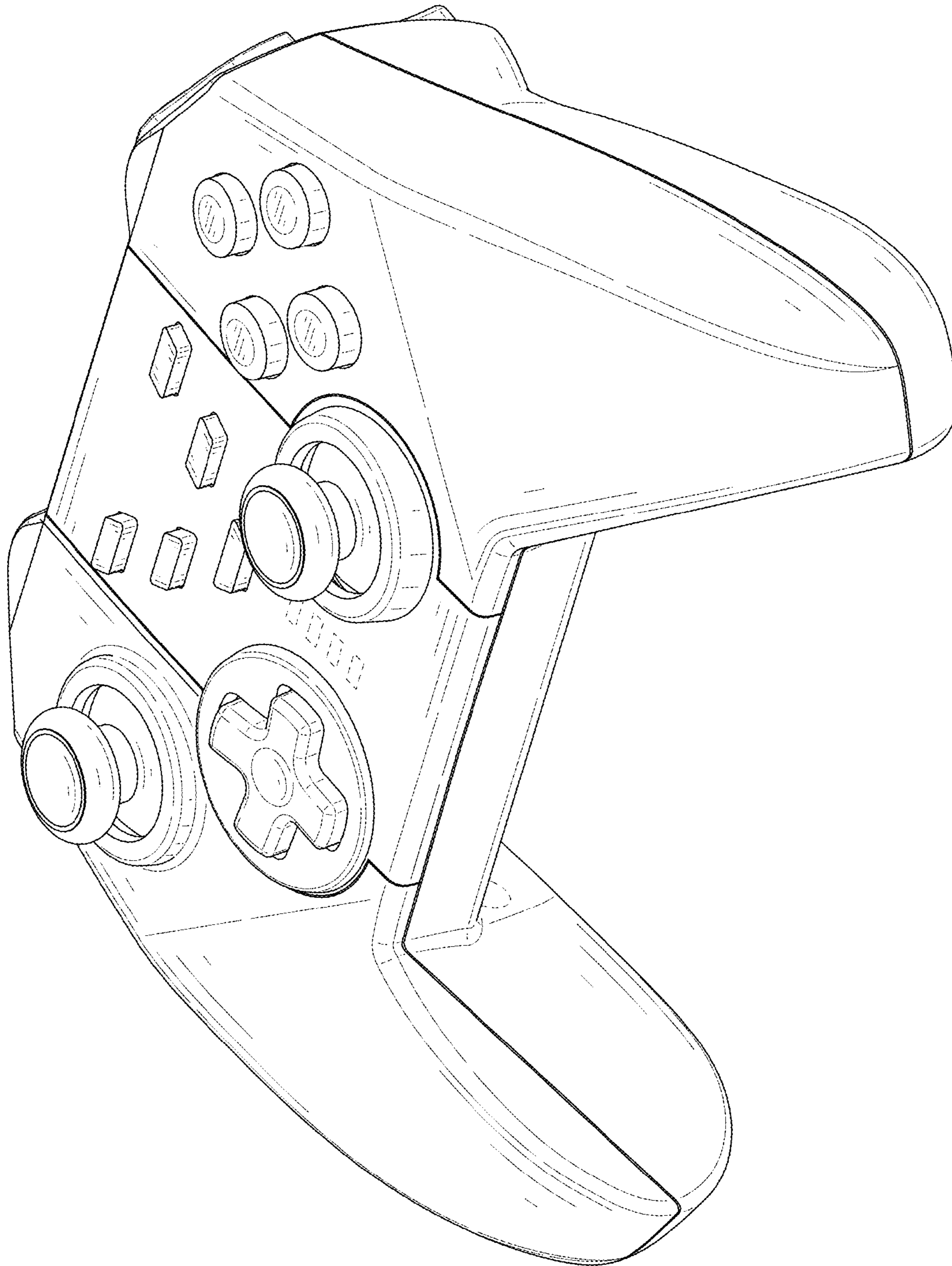


FIG. 1

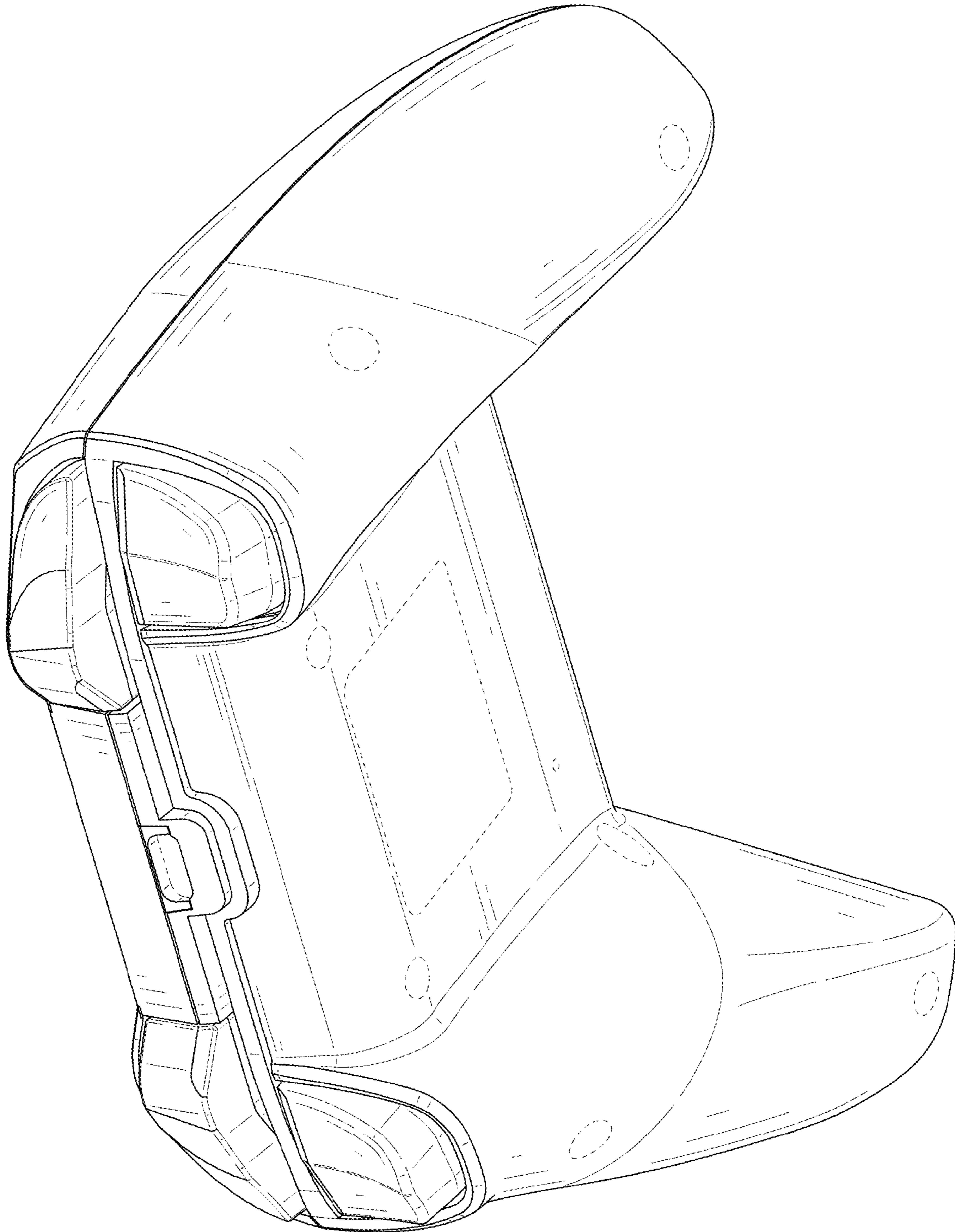


FIG. 2

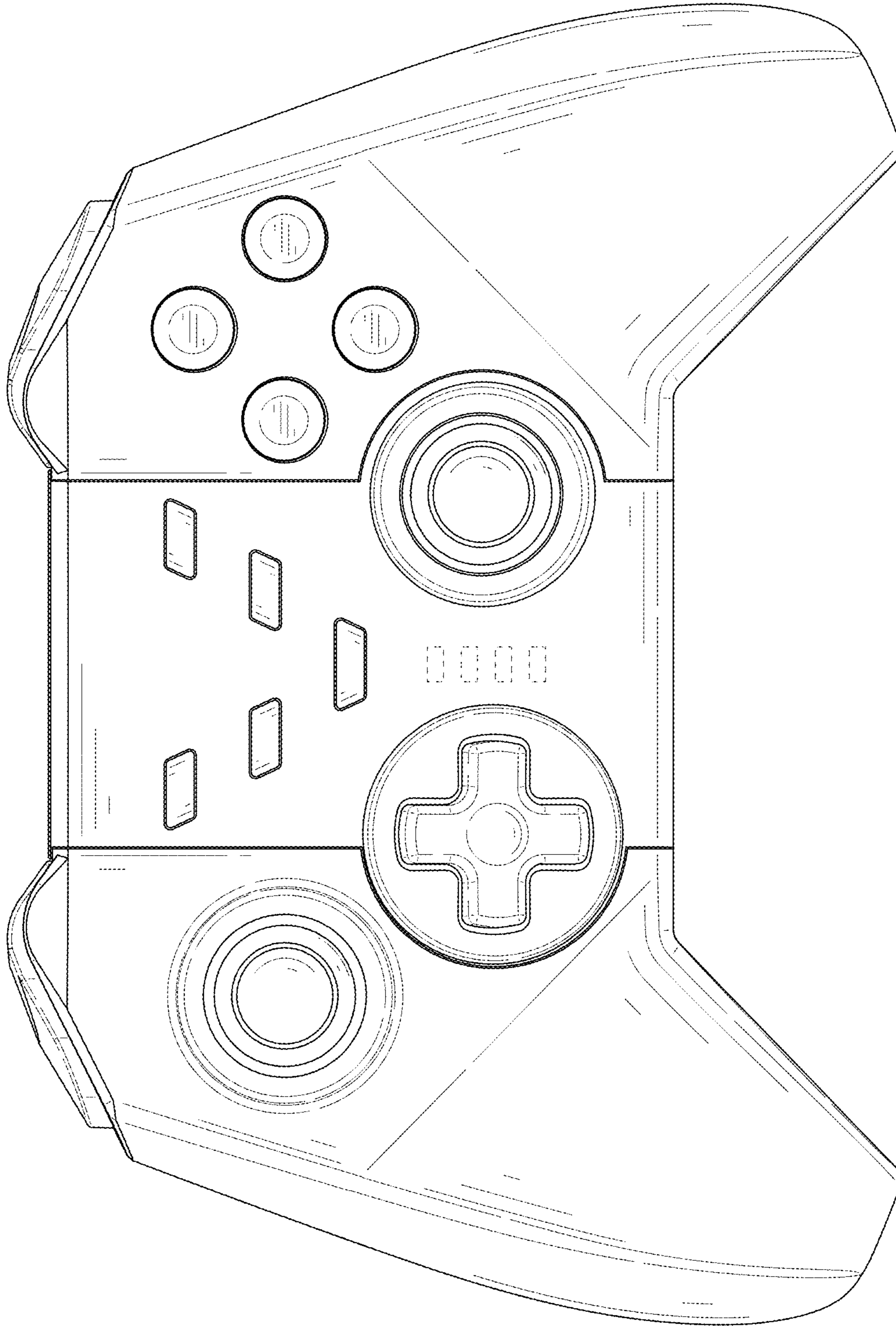


FIG. 3

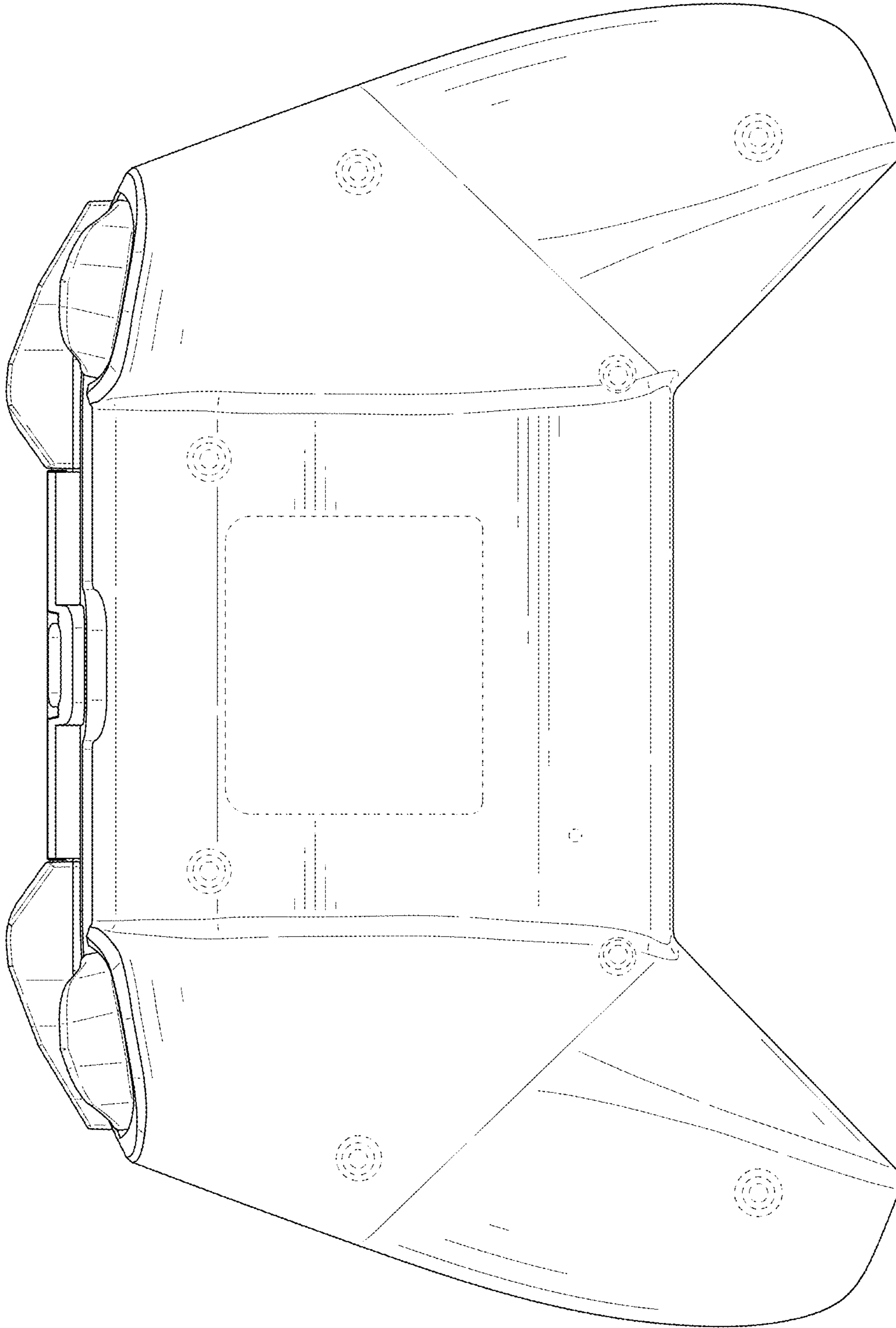


FIG. 4

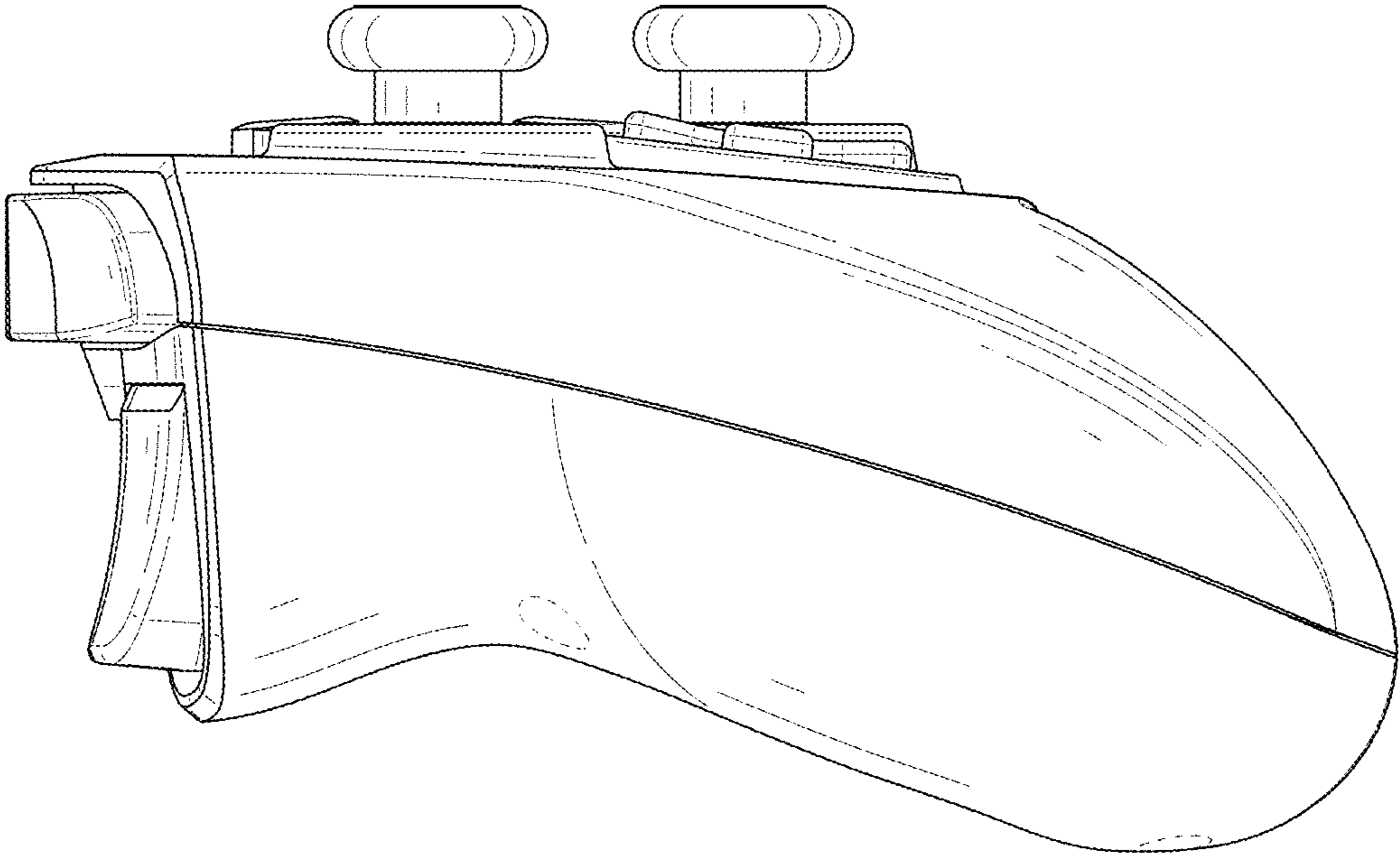


FIG. 5

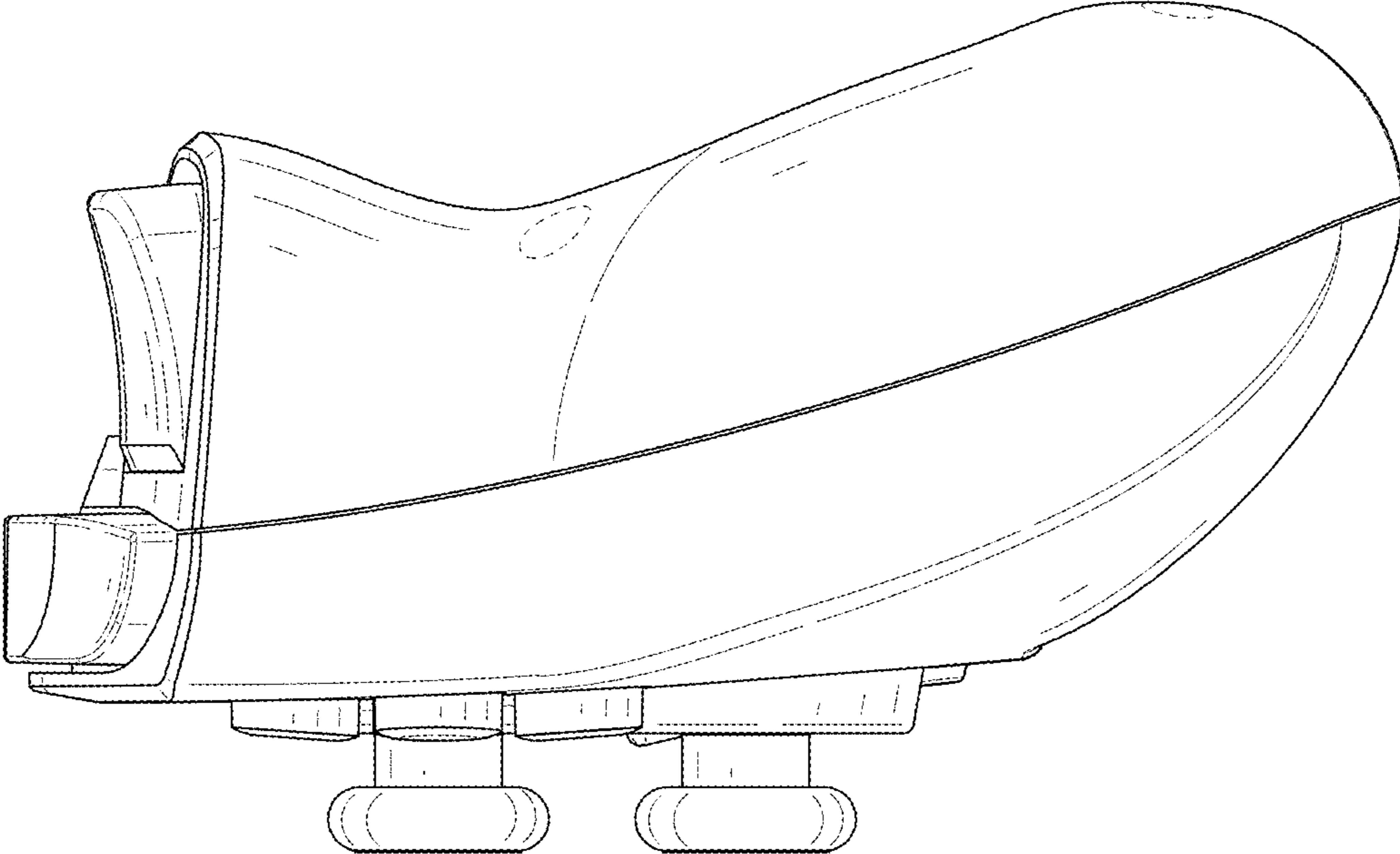


FIG. 6

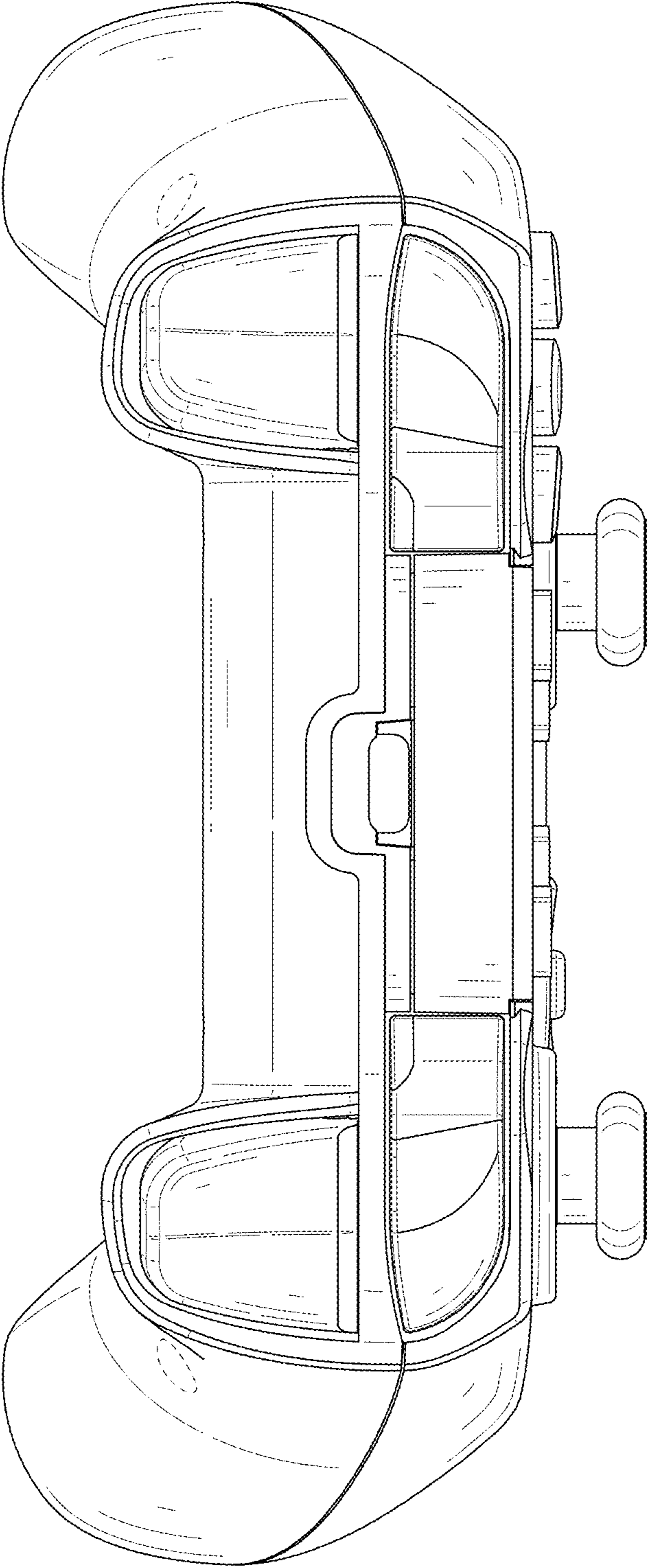


FIG. 7

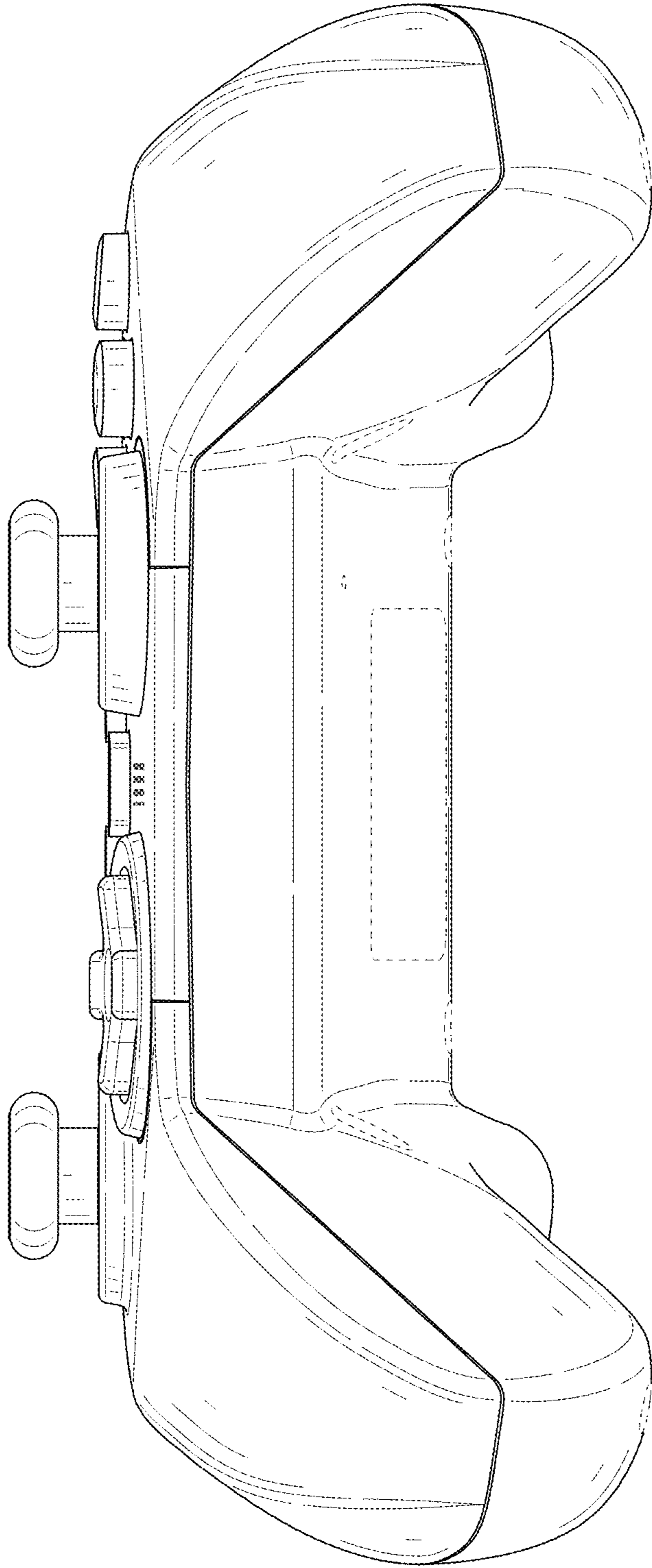


FIG. 8