



US00D912733S

(12) **United States Design Patent**  
**Ghahramanian**

(10) **Patent No.:** **US D912,733 S**

(45) **Date of Patent:** **\*\* Mar. 9, 2021**

(54) **RACING SIMULATOR COCKPIT**  
(71) Applicant: **NEXT LEVEL RACING SIMULATIONS PTY LTD**, Southport (AU)

D651,815 S \* 1/2012 Smit ..... D6/336  
D679,914 S \* 4/2013 Smit ..... D6/338  
D691,822 S \* 10/2013 Smit ..... D6/368  
D701,917 S \* 4/2014 Ghahramanian ..... D21/333

(Continued)

(72) Inventor: **Hessam Ghahramanian**, Queensland (AU)

**FOREIGN PATENT DOCUMENTS**

AU 201617333 1/2017  
AU 201617337 1/2017

(73) Assignee: **NEXT LEVEL RACING SIMULATIONS PTY LTD**, Southport (AU)

*Primary Examiner* — Mimososa De

(74) *Attorney, Agent, or Firm* — Ferguson Case Orr Paterson

(\*\*) Term: **15 Years**

(21) Appl. No.: **29/672,465**

(57) **CLAIM**

The ornamental design for a racing simulator cockpit, as shown and described herein.

(22) Filed: **Dec. 5, 2018**

(51) **LOC (13) Cl.** ..... **21-01**

**DESCRIPTION**

(52) **U.S. Cl.**

USPC ..... **D21/333**; D21/326; D6/716; D6/367

(58) **Field of Classification Search**

USPC ..... D6/334–336, 338, 356, 364, 365, 366,

D6/367, 374, 716, 716.1, 716.4;

D21/326, 327, 477, 329, 333

CPC .. A47C 1/121; A47C 7/40; A47C 7/46; A47C

7/462; A47C 7/50; A47C 7/723; G09B

9/02; A63F 9/00; A63F 9/24; A63F 1/00;

A63F 3/00; G07F 17/3216

See application file for complete search history.

FIG. 1 is a front perspective view of a racing simulator cockpit of the present invention.

FIG. 2 is a rear perspective view of a racing simulator cockpit of the present invention shown in FIG. 1.

FIG. 3 is a front view of a racing simulator cockpit of the present invention shown in FIG. 1.

FIG. 4 is a rear view of a racing simulator cockpit of the present invention shown in FIG. 1.

FIG. 5 is a right side of a racing simulator cockpit of the present invention shown in FIG. 1.

FIG. 6 is a left side view of a racing simulator cockpit of the present invention shown in FIG. 1.

FIG. 7 is a top view of a racing simulator cockpit of the present invention shown in FIG. 1; and,

FIG. 8 is a bottom view of a racing simulator cockpit of the present invention shown in FIG. 1.

Elements of the mechanisms in the attached figures that are in broken and/or phantom lines are shown for illustrative and/or environmental purposes only and form no part of the claimed design.

(56) **References Cited**

**U.S. PATENT DOCUMENTS**

5,290,034 A \* 3/1994 Hineman ..... G09B 9/02  
434/29

D396,898 S \* 8/1998 Tsuda ..... D21/326

5,853,330 A \* 12/1998 Engstrand ..... G09B 9/02  
472/60

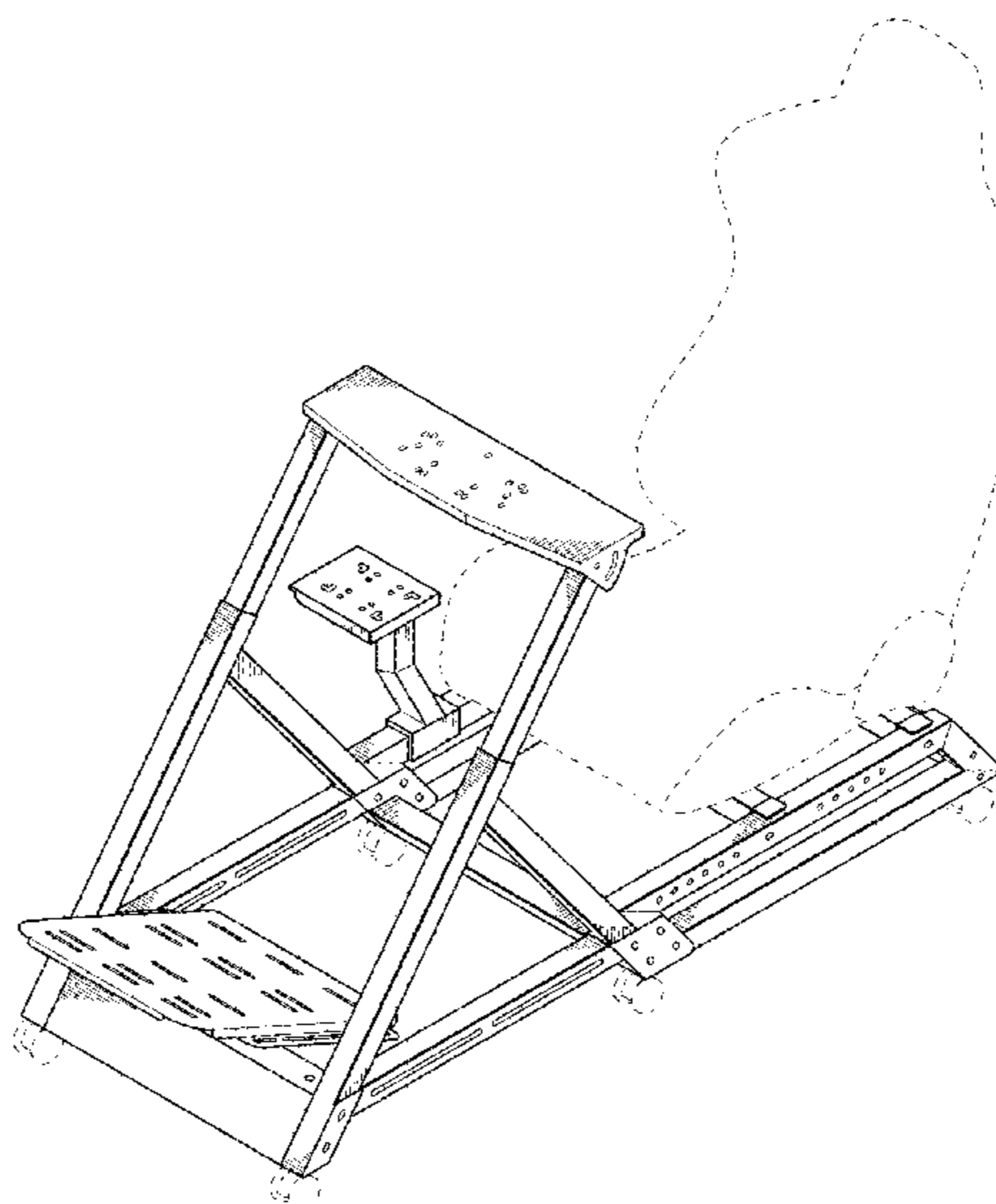
D446,263 S \* 8/2001 Heys ..... D21/326

D465,343 S \* 11/2002 Daneault ..... D6/338

D598,207 S \* 8/2009 Smit ..... D6/335

D612,641 S \* 3/2010 Smit ..... D6/716

**1 Claim, 7 Drawing Sheets**



(56)

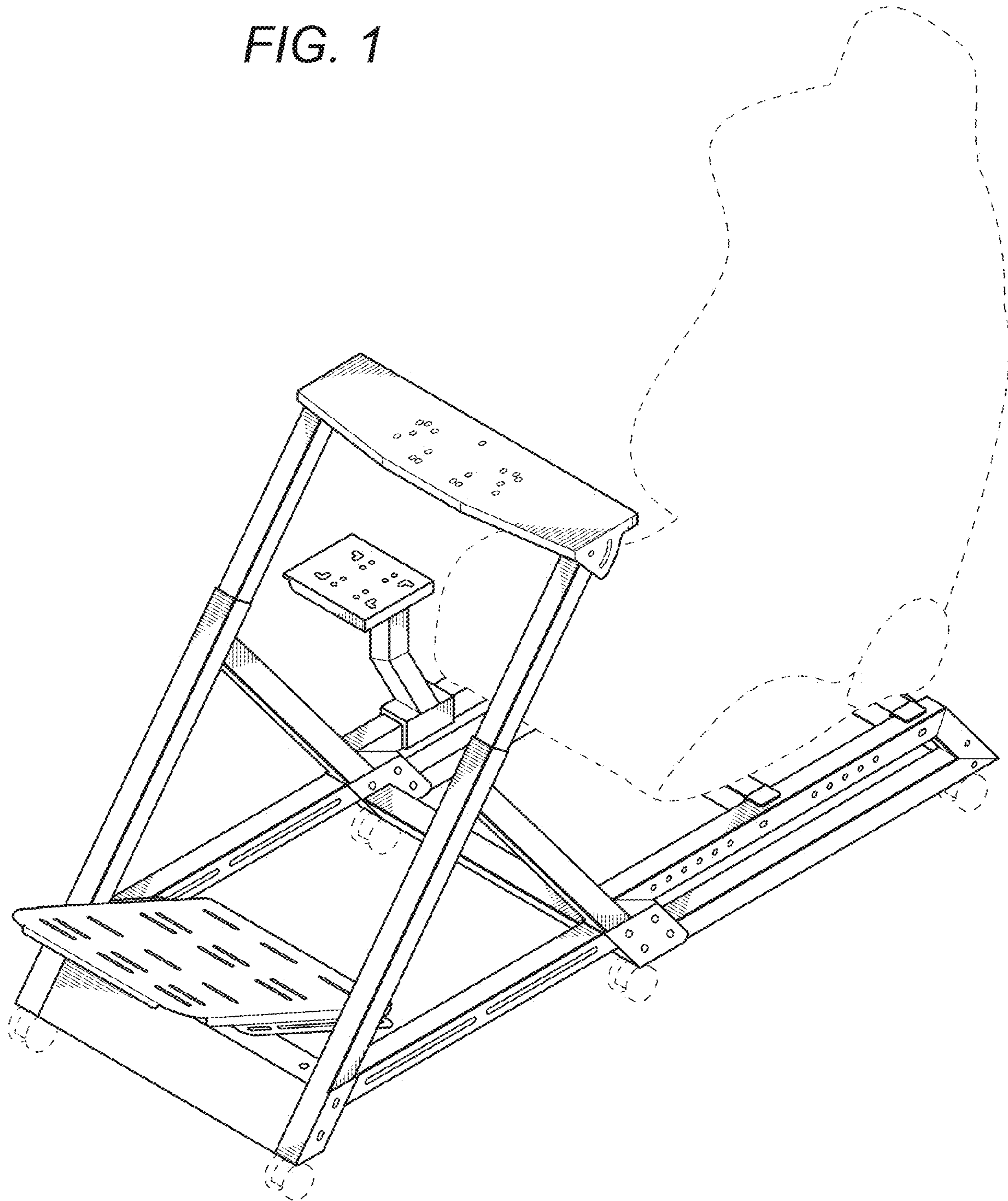
**References Cited**

U.S. PATENT DOCUMENTS

D835,198 S \* 12/2018 Berlinches ..... D21/326  
D856,020 S \* 8/2019 Ghahramanian ..... D6/367

\* cited by examiner

FIG. 1



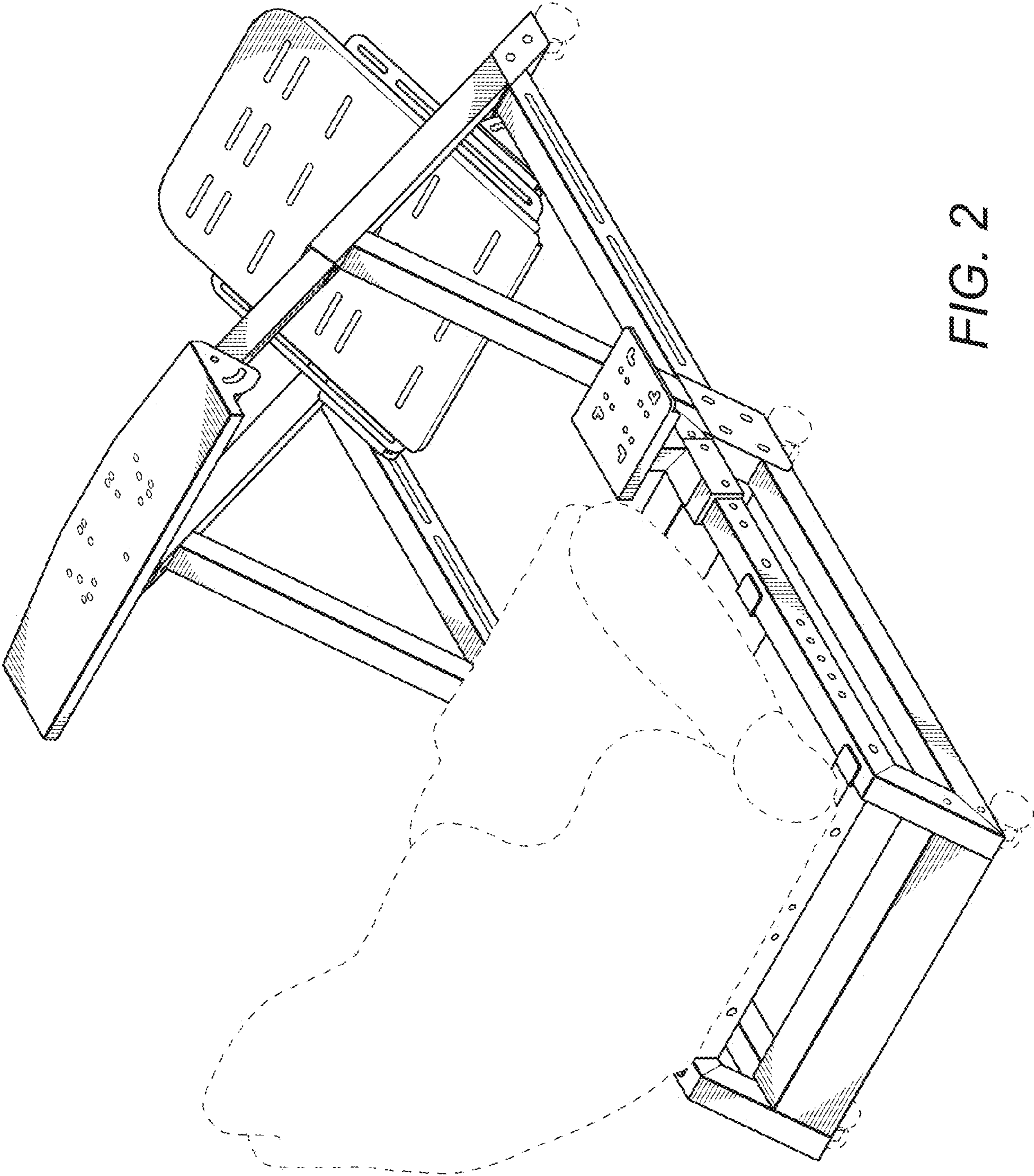


FIG. 2

FIG. 4

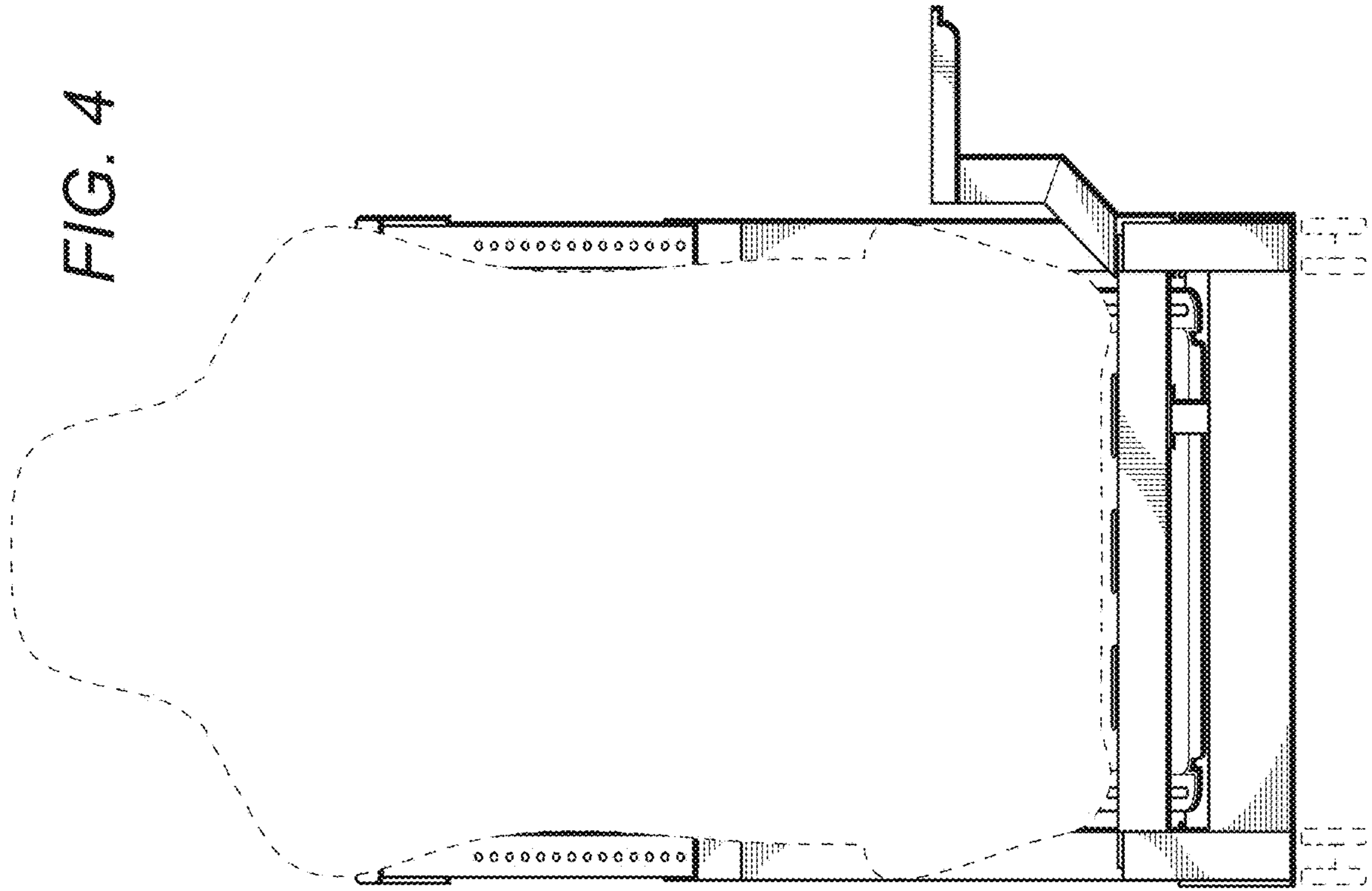


FIG. 3

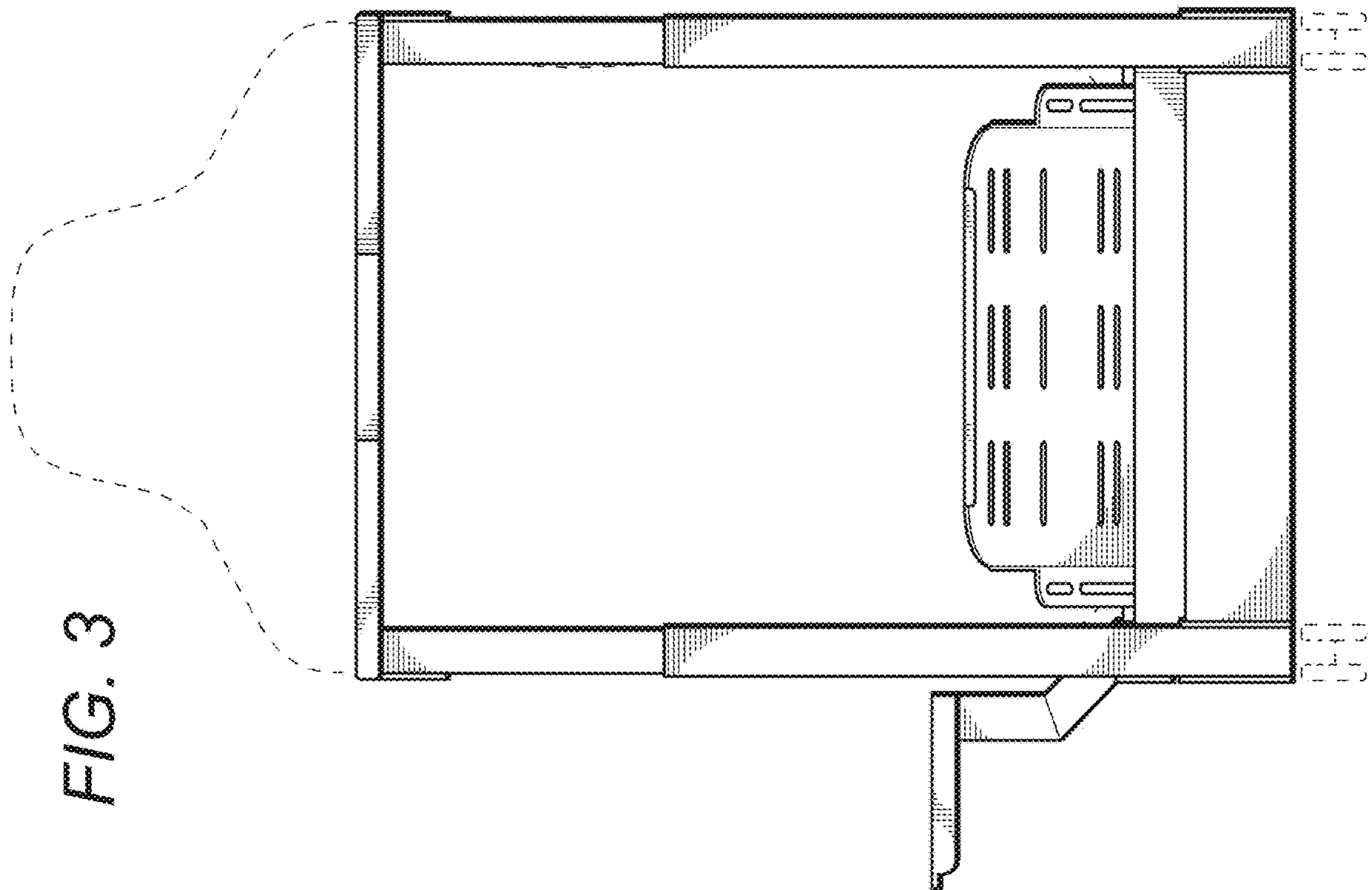
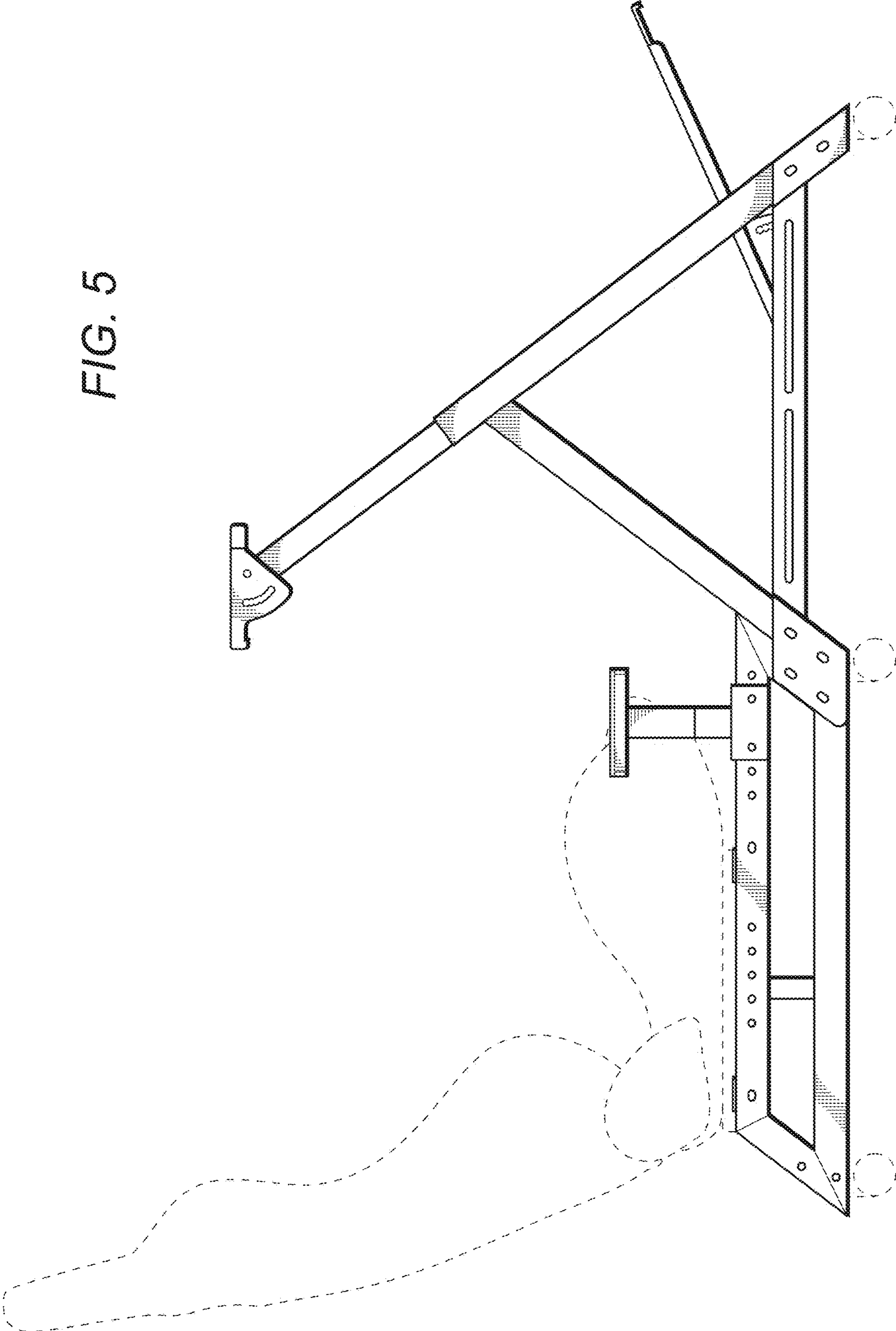


FIG. 5



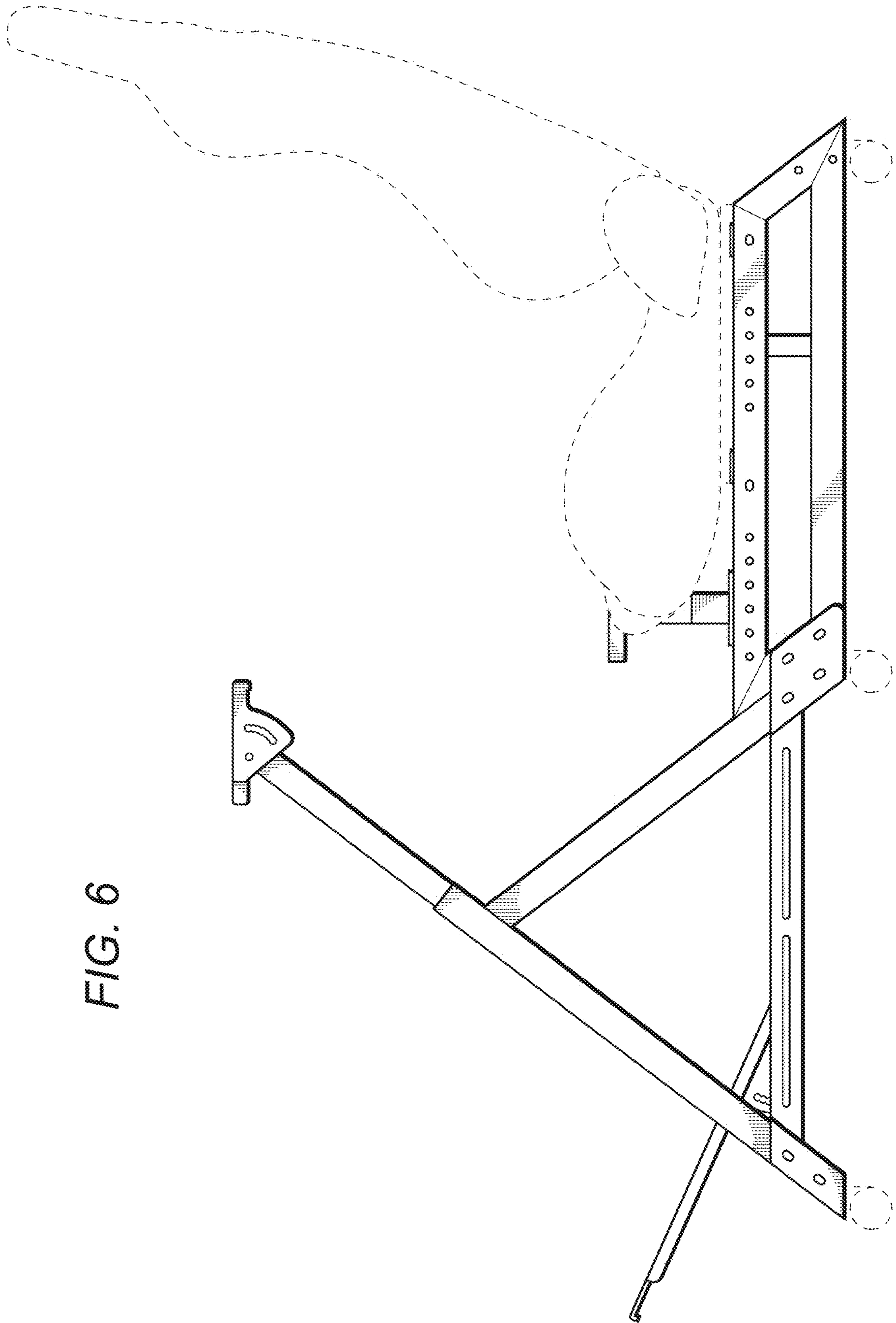


FIG. 6

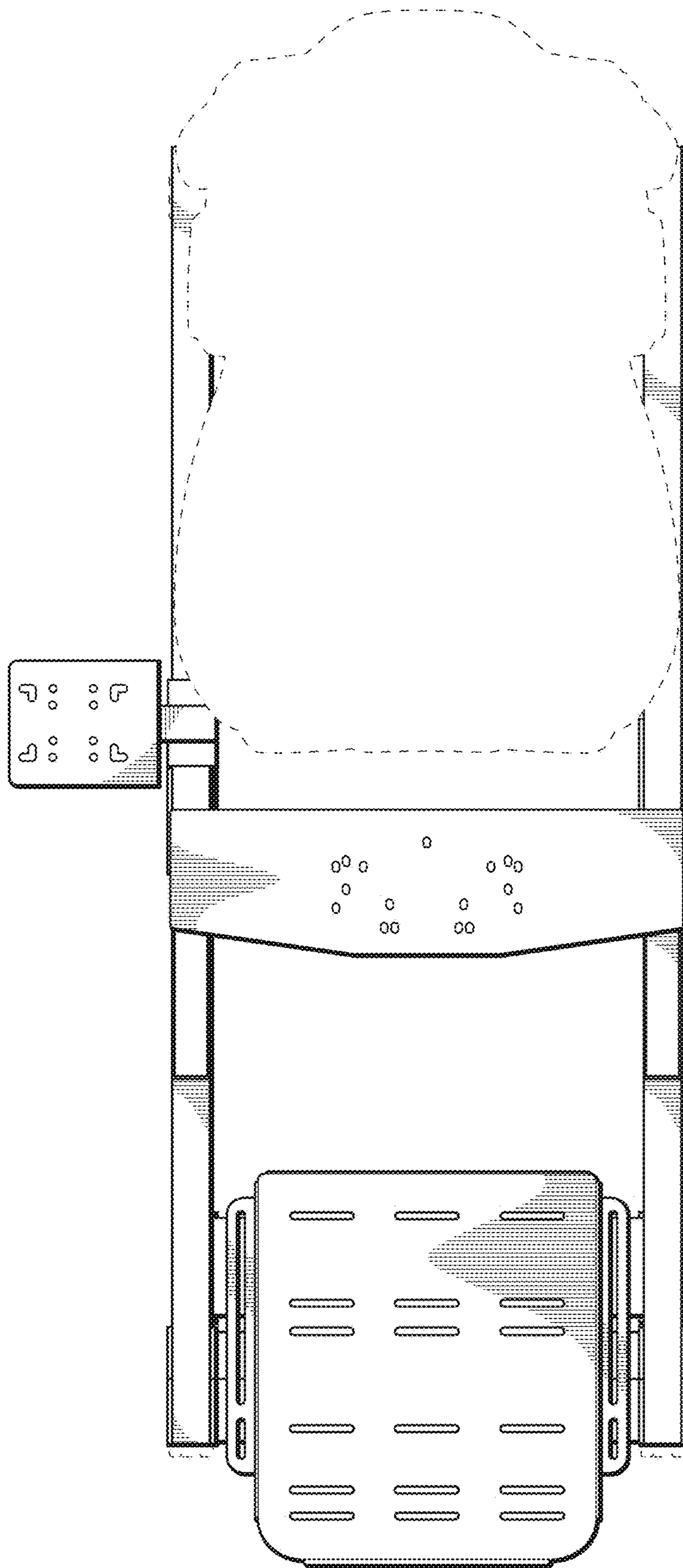


FIG. 7



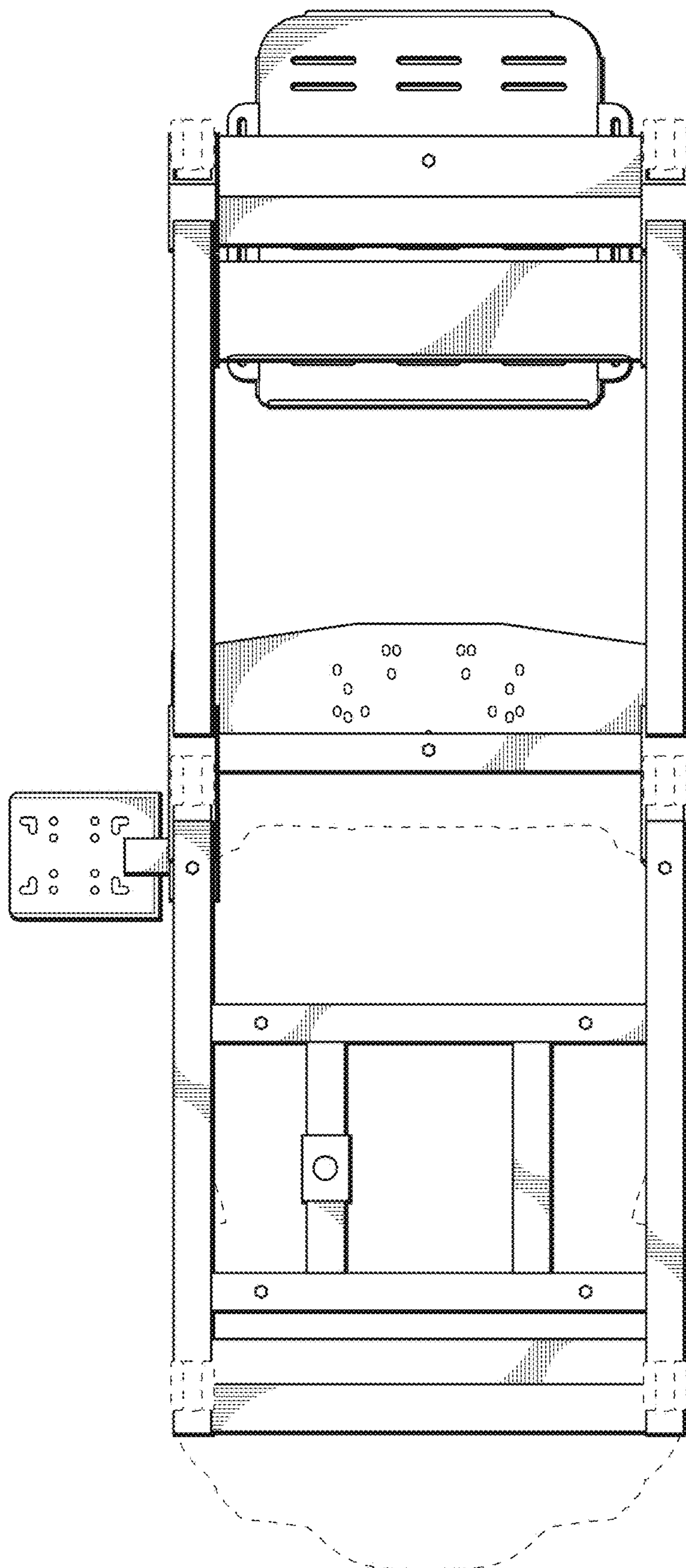


FIG. 8