



US00D912732S

(12) **United States Design Patent**
Farley

(10) **Patent No.:** **US D912,732 S**
(45) **Date of Patent:** **** Mar. 9, 2021**

(54) **COLLAPSIBLE HOCKEY TABLE**
(71) Applicant: **Indian Industries, Inc.**, Evansville, IN (US)
(72) Inventor: **Patrick Farley**, Bay Shore, NY (US)
(73) Assignee: **Indian Industries, Inc.**, Evansville, IN (US)

6,840,516 B1 * 1/2005 Tien A63F 7/0005
273/126 A
6,916,258 B2 7/2005 Dadbeh
6,986,722 B2 1/2006 Dadbeh
7,250,013 B2 7/2007 Hao
(Continued)

(**) Term: **15 Years**
(21) Appl. No.: **29/670,854**

(22) Filed: **Nov. 20, 2018**
(51) **LOC (13) Cl.** **21-01**
(52) **U.S. Cl.**
USPC **D21/318**

(58) **Field of Classification Search**
USPC D21/300, 301, 302, 303, 304, 312, 316,
D21/318, 319, 334, 335, 336, 341, 342,
D21/343, 365, 379, 385, 386, 390, 396,
D21/699, 789, 790, 791, 793, 794, 397;
D23/201, 213, 214; D6/302, 309, 310,
D6/312, 332; 273/317, 317.1, 317.5, 342
CPC A63B 67/00; A63B 71/00; A63B 63/00;
A63B 63/08; A63B 67/06
See application file for complete search history.

(56) **References Cited**
U.S. PATENT DOCUMENTS

1,995,543 A 3/1935 Kaser
2,057,334 A 10/1936 Hannum
3,078,095 A 2/1963 Wolf
3,567,222 A 3/1971 Robins
5,074,556 A * 12/1991 Loeppky A63F 7/0668
273/108.5
5,375,837 A 12/1994 Moreau
5,813,957 A 10/1998 Dadbeh
D446,250 S * 8/2001 Quiroga D21/318
6,345,820 B1 * 2/2002 Zucchi A63F 7/3603
273/108.5
6,564,402 B1 * 5/2003 Lin A47C 17/645
24/72.5

OTHER PUBLICATIONS

“Triumph pop up air power hockey table”, posted Sep. 10, 2019, [Retrieved May 6, 2020] from internet: <https://www.walmart.com/ip/Triumph-60-Pop-Up-Air-Power-Hockey-Table/815580537>.*

(Continued)

Primary Examiner — Sandra Snapp
Assistant Examiner — Mehri Bajoul
(74) *Attorney, Agent, or Firm* — Woodard, Emhardt, Henry, Reeves & Wagner, LLP

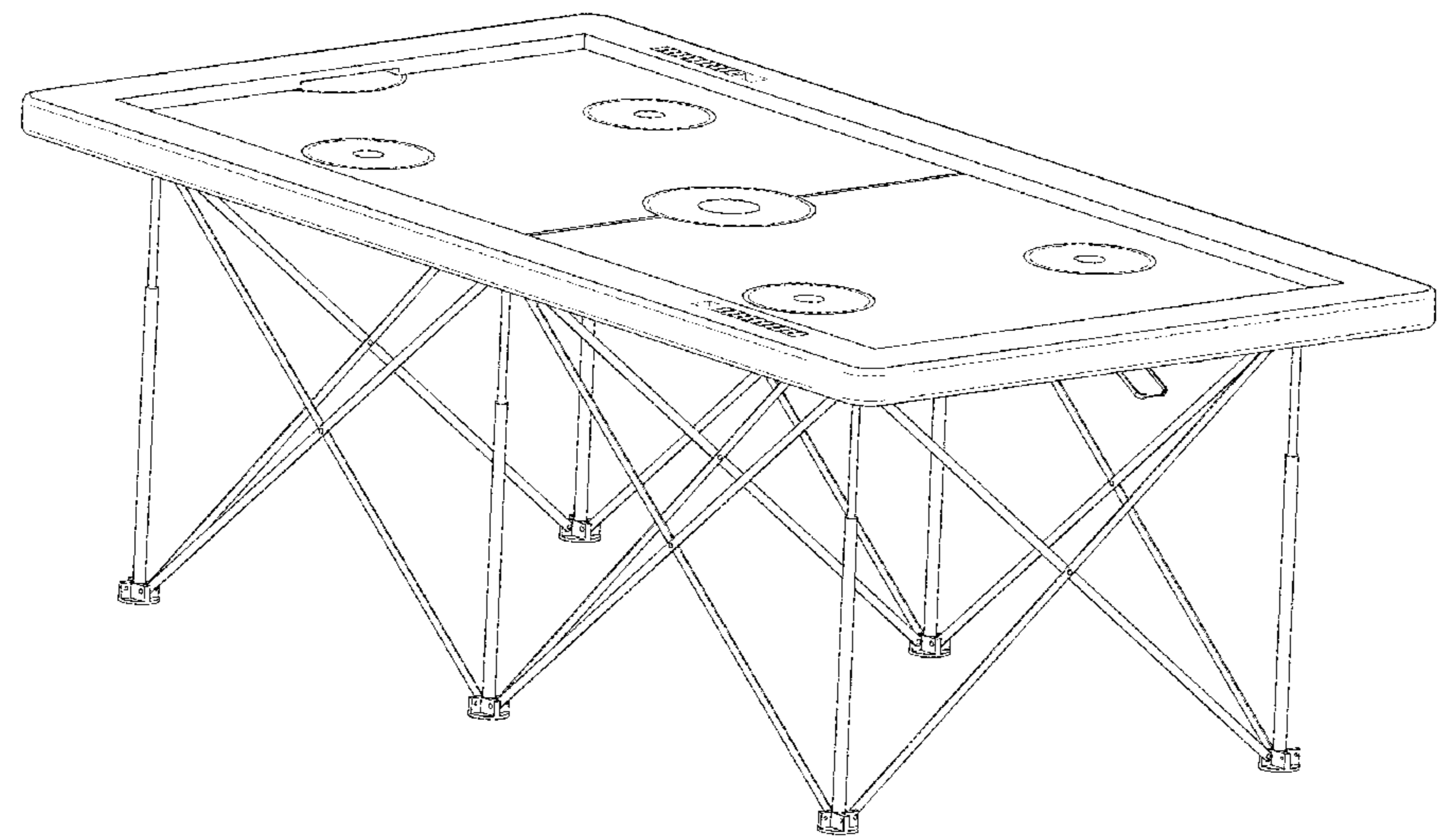
(57) **CLAIM**

The ornamental design for a collapsible hockey table, as shown and described.

DESCRIPTION

FIG. 1 is a perspective view of a collapsible hockey table. FIG. 2 is a side view of the collapsible hockey table with the opposite side being a mirror image. FIG. 3 is an end view of the collapsible hockey table with the opposite side being a mirror image. FIG. 4 is a top view of the collapsible hockey table. FIG. 5 is a bottom view of the collapsible hockey table. FIG. 6 is an exploded view of the collapsible hockey table with the legs in an expanded configuration; and, FIG. 7 is an exploded view of the collapsible hockey table with the legs in a collapsed configuration. The broken lines are included for the purpose of illustrating portions of the collapsible hockey table, and form no part of the claimed design.

1 Claim, 7 Drawing Sheets



(56)

References Cited

U.S. PATENT DOCUMENTS

D587,318 S * 2/2009 Bossio D21/318
 7,509,695 B2 3/2009 Zheng
 D604,772 S * 11/2009 Tower D21/318
 7,704,170 B2 4/2010 Julian et al.
 7,727,091 B2 6/2010 Allen
 8,016,288 B1 * 9/2011 Guridi A63F 7/2472
 273/118 R
 8,074,669 B2 * 12/2011 Collins A47C 19/126
 135/123
 8,122,536 B2 * 2/2012 Peixin A47C 19/04
 5/110
 8,167,732 B2 * 5/2012 Tsai A63D 15/00
 473/10
 8,245,332 B2 * 8/2012 Yul A47C 17/16
 5/111
 8,959,677 B2 * 2/2015 Yul A47C 17/64
 5/110
 9,021,964 B2 5/2015 Peng
 D748,407 S * 2/2016 Akkad D6/392
 D757,858 S * 5/2016 Guridi D21/397
 D835,652 S * 12/2018 Bacus D14/486
 D880,598 S * 4/2020 Engler D21/318
 D880,755 S * 4/2020 Zhao D26/88

2002/0096826 A1 * 7/2002 Bisbee A63F 7/2436
 273/108.56
 2003/0168801 A1 * 9/2003 Zucchi A63F 7/06
 273/126 R
 2004/0079261 A1 4/2004 Nally
 2004/0164488 A1 * 8/2004 Fitzgerald A63F 7/06
 273/108.1
 2005/0133993 A1 * 6/2005 Keith A63F 7/3603
 273/108.1
 2005/0167908 A1 * 8/2005 Nally A63F 7/06
 273/108.1
 2005/0274298 A1 12/2005 Pauliin
 2007/0277709 A1 12/2007 Carter
 2008/0220913 A1 * 9/2008 Cosenza A63B 63/00
 473/476
 2010/0025934 A1 * 2/2010 Hassman A63B 63/00
 273/400
 2011/0177893 A1 7/2011 Abramson
 2012/0304901 A1 12/2012 Volin

OTHER PUBLICATIONS

Bora Centipede Support System [online]; [retrieved on Jul. 17, 2018]; Retrieved from <http://centipedetool.com>.

* cited by examiner

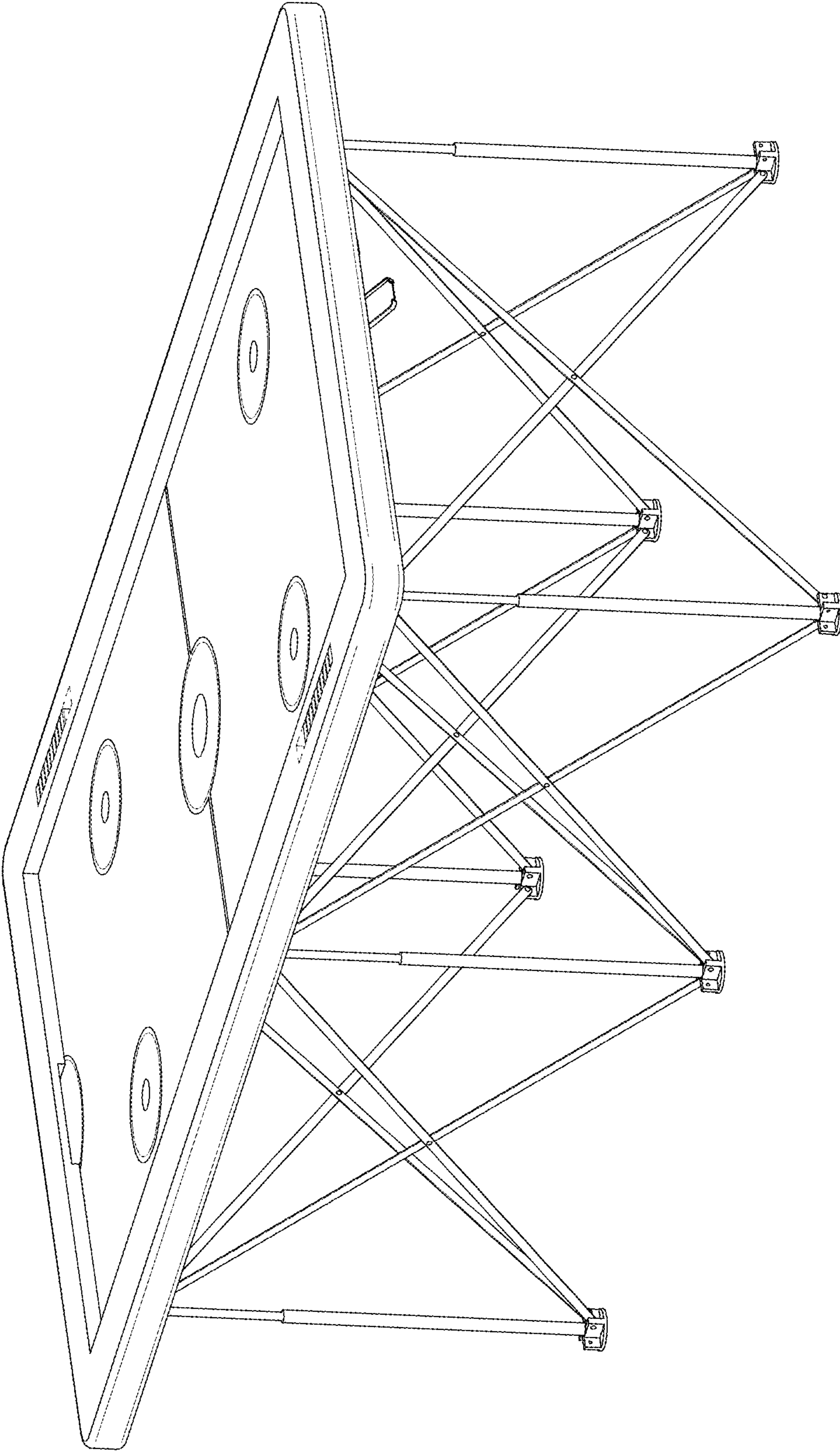


Fig. 1

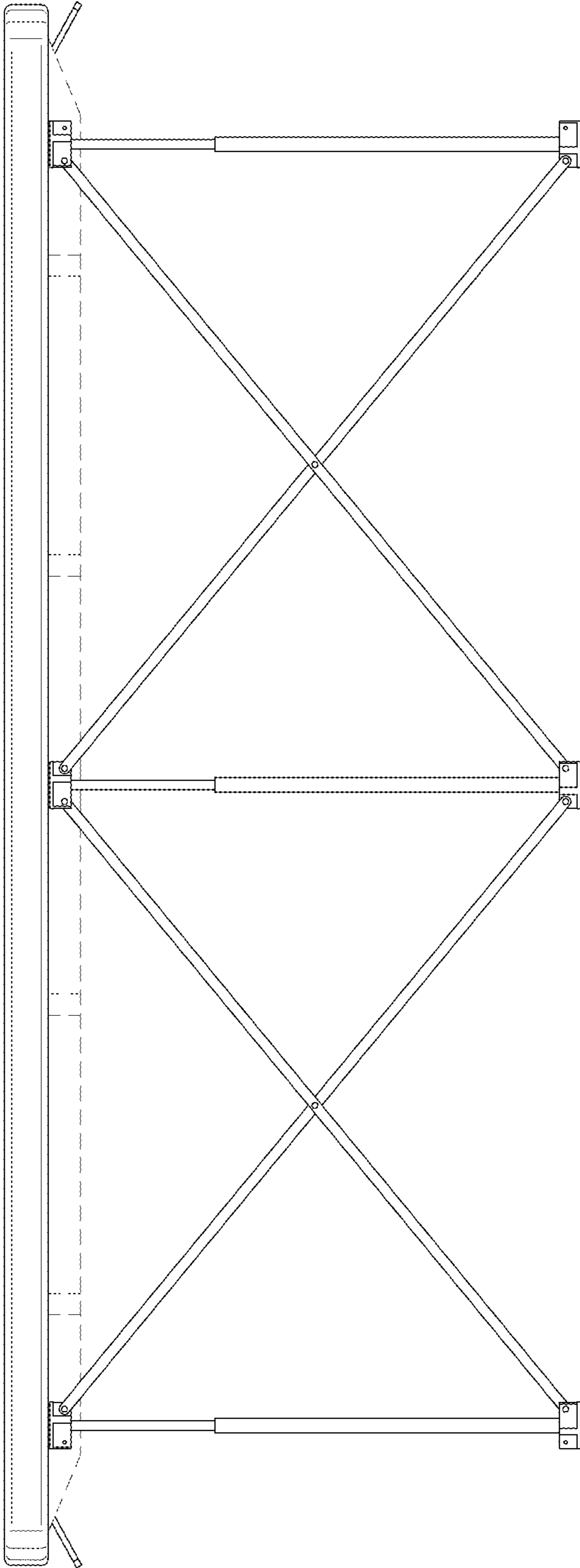


Fig. 2

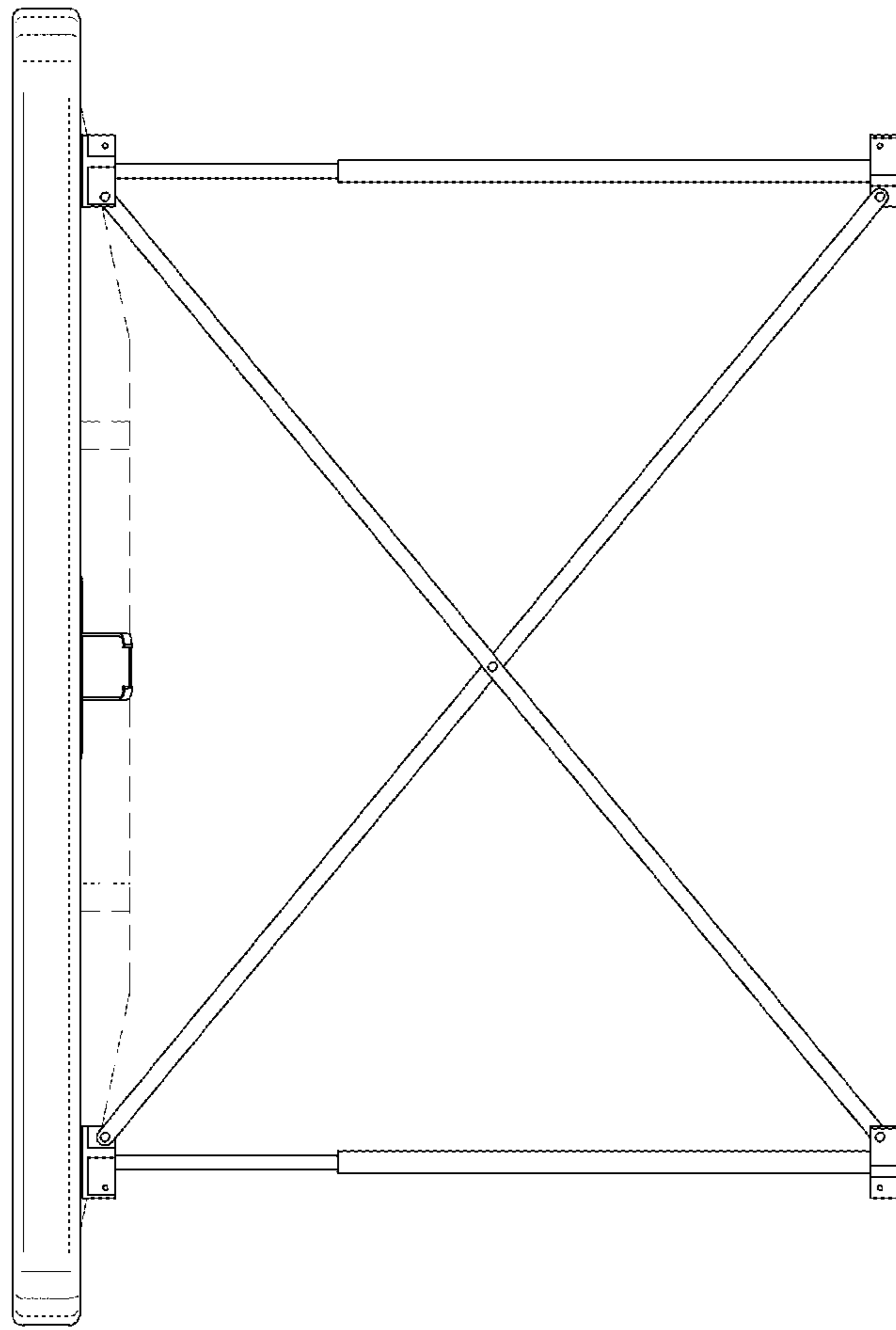


Fig. 3

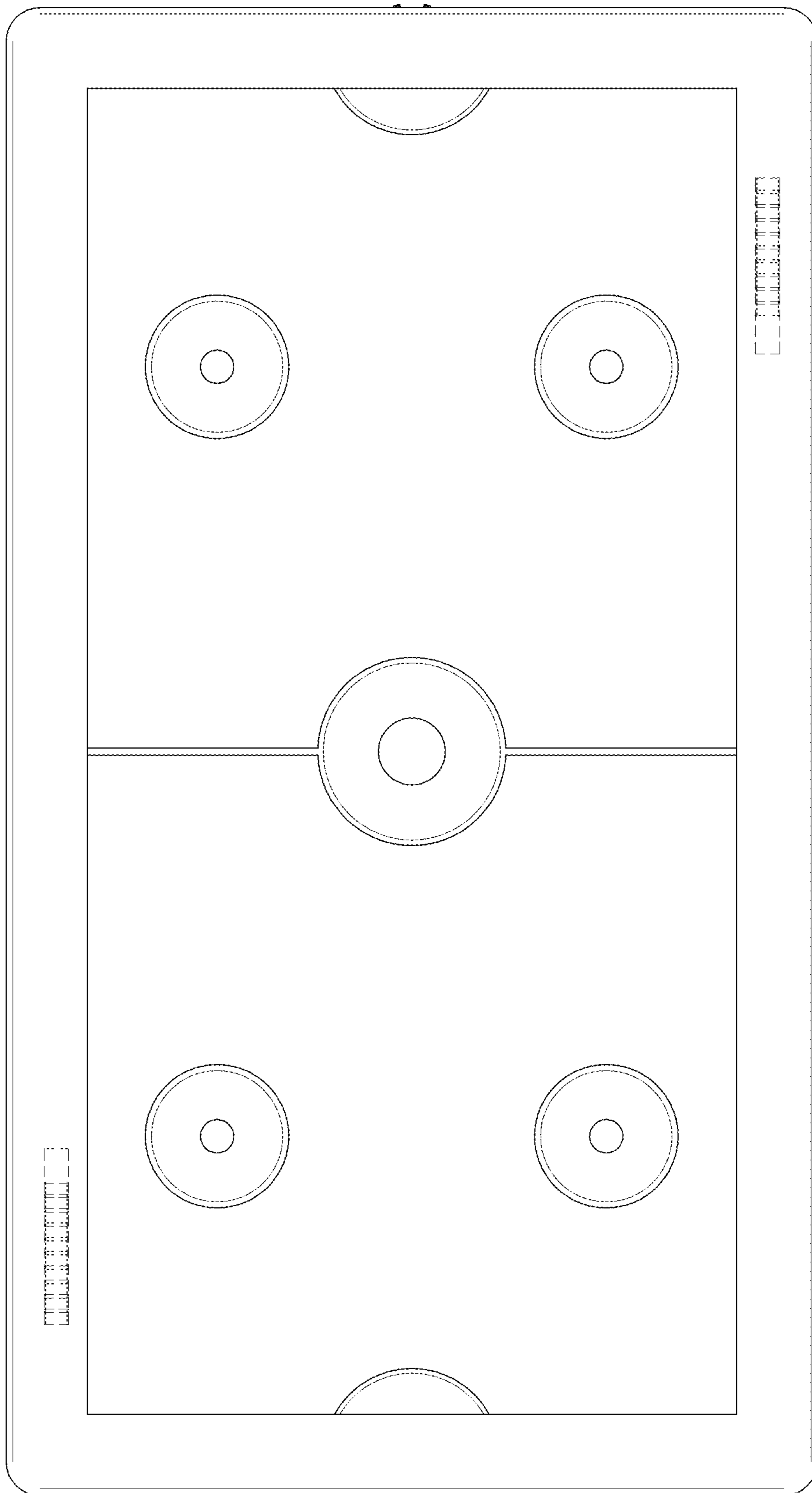


Fig. 4

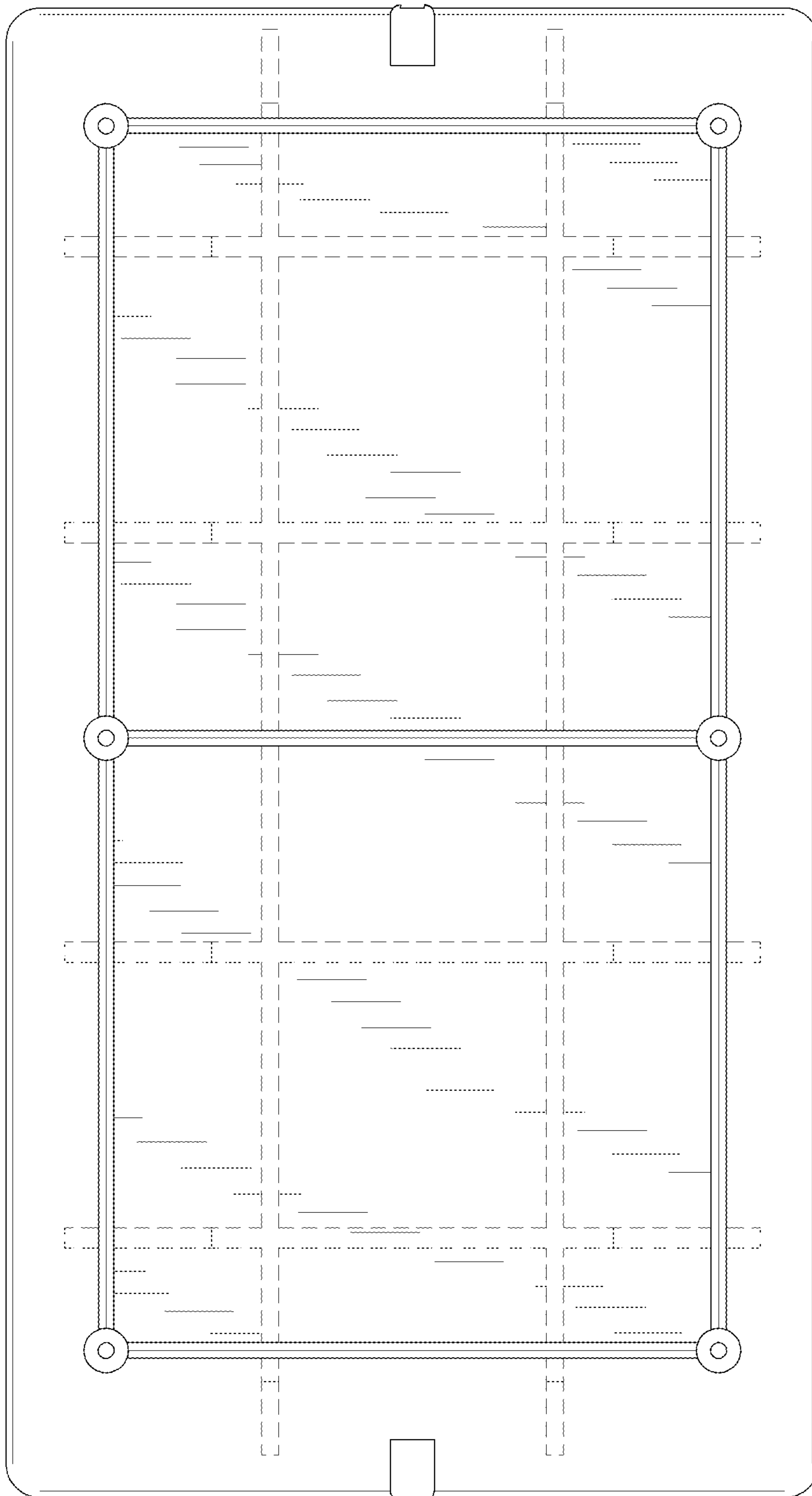


Fig. 5

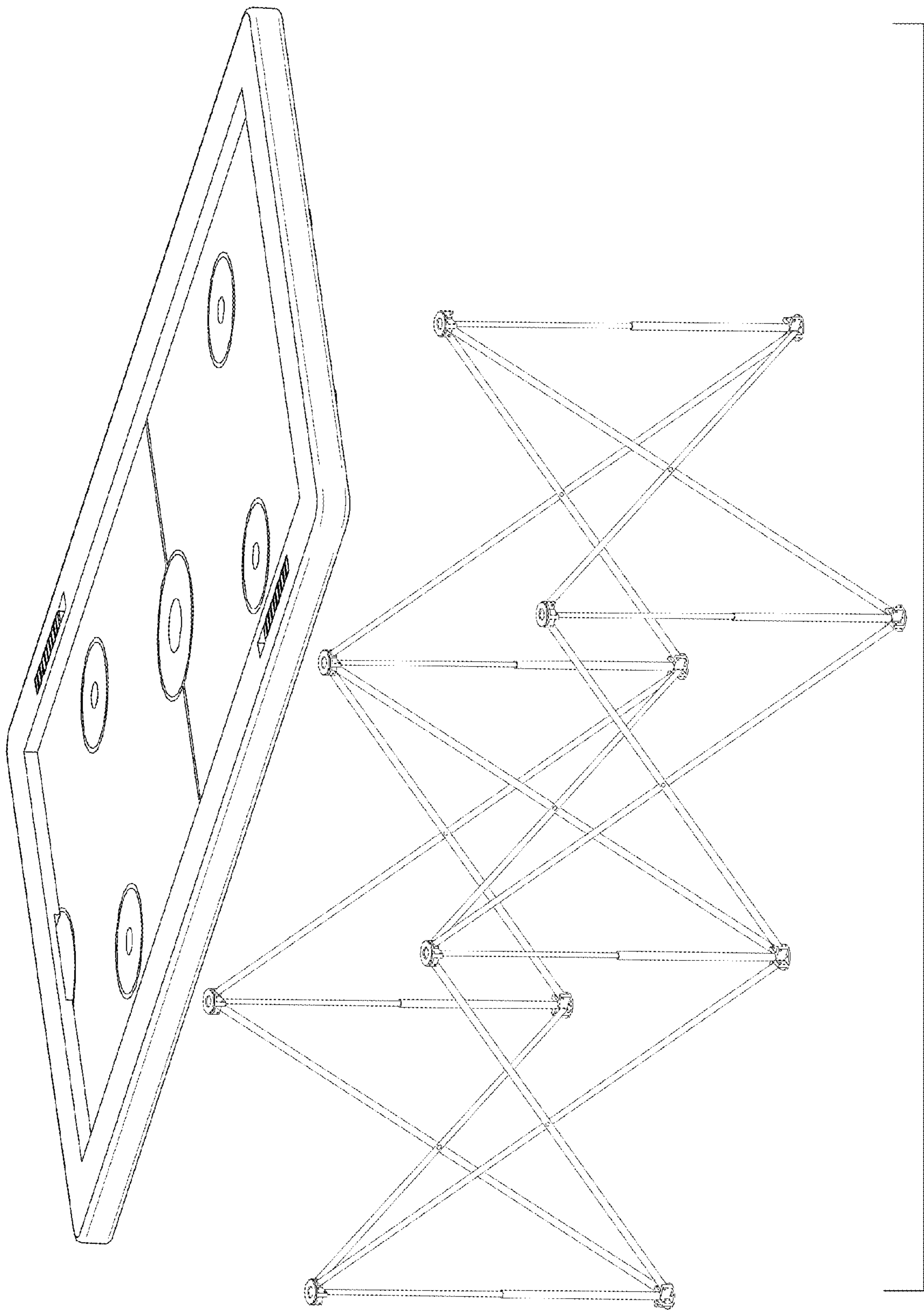


Fig. 6

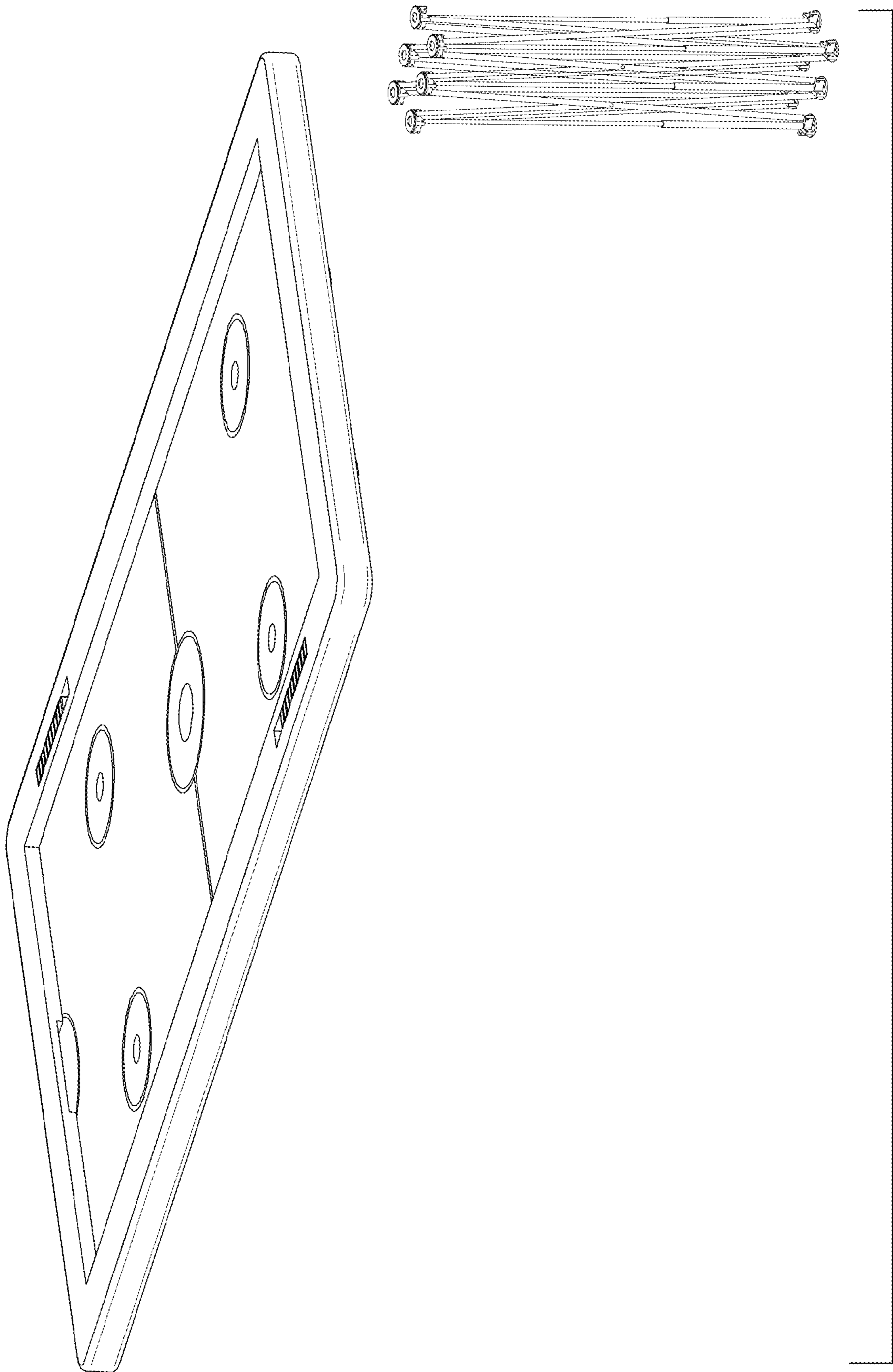


Fig. 7