



US00D912731S

(12) **United States Design Patent** (10) **Patent No.:** **US D912,731 S**
Moreira de Oliveira (45) **Date of Patent:** **** Mar. 9, 2021**

(54) **ADVERTISING PLATE**
(71) Applicant: **Sóstenes Moreira de Oliveira**, Bahia (BR)
(72) Inventor: **Sóstenes Moreira de Oliveira**, Bahia (BR)
(**) Term: **15 Years**
(21) Appl. No.: **29/677,005**
(22) Filed: **Jan. 16, 2019**
(51) **LOC (13) Cl.** **20-03**
(52) **U.S. Cl.**
USPC **D20/39**
(58) **Field of Classification Search**
USPC D10/109.1, 109.2, 113.4; D11/165, 166, D11/181, 182; D20/10, 19, 21, 29, 37, D20/39, 40, 41, 42, 43, 99
CPC G09F 7/00; G09F 7/12; G09F 7/14; G09F 7/16; G09F 7/18; G09F 2007/122; G09F 2007/1804; G09F 2007/1834; G09F 2007/1886; G09F 9/00; G09F 13/00; G09F 13/02; G09F 13/04; G09F 13/0018; G09F 13/22; G09F 2003/1895; G09F 15/00; G09F 15/0037; G09F 15/02; G09F 15/025; G09F 17/00; G09F 2007/0075; G09F 23/00

D743,489 S * 11/2015 Vickers
9,812,043 B2 * 11/2017 Auyeung
D825,367 S * 8/2018 Pearson
2002/0083631 A1 * 7/2002 Walsh, Jr.
2016/0111032 A1 * 4/2016 Lindblom
2016/0335931 A1 * 11/2016 Dalton

FOREIGN PATENT DOCUMENTS

EM 000044284-0001 3/2003
EM 000044284-0002 6/2003
EM 000119466-0001 12/2003
EM 000264759-0001 11/2004
EM 000438239-0001 11/2005
EM 000734645-0003 5/2007
EM 000790993-0001 9/2007
EM 001230080-0001 8/2010
EM 001285662-0001 7/2011
EM 002029629-0004 4/2012
EM 002138131-0001 11/2012
EM 002579177-0001 11/2014
EM 002592105-0001 12/2014
EM 002623397-0001 1/2015

* cited by examiner

Primary Examiner — Michael C Stout
Assistant Examiner — Calvin E Vansant
(74) *Attorney, Agent, or Firm* — Richard M. Goldberg

(57) **CLAIM**

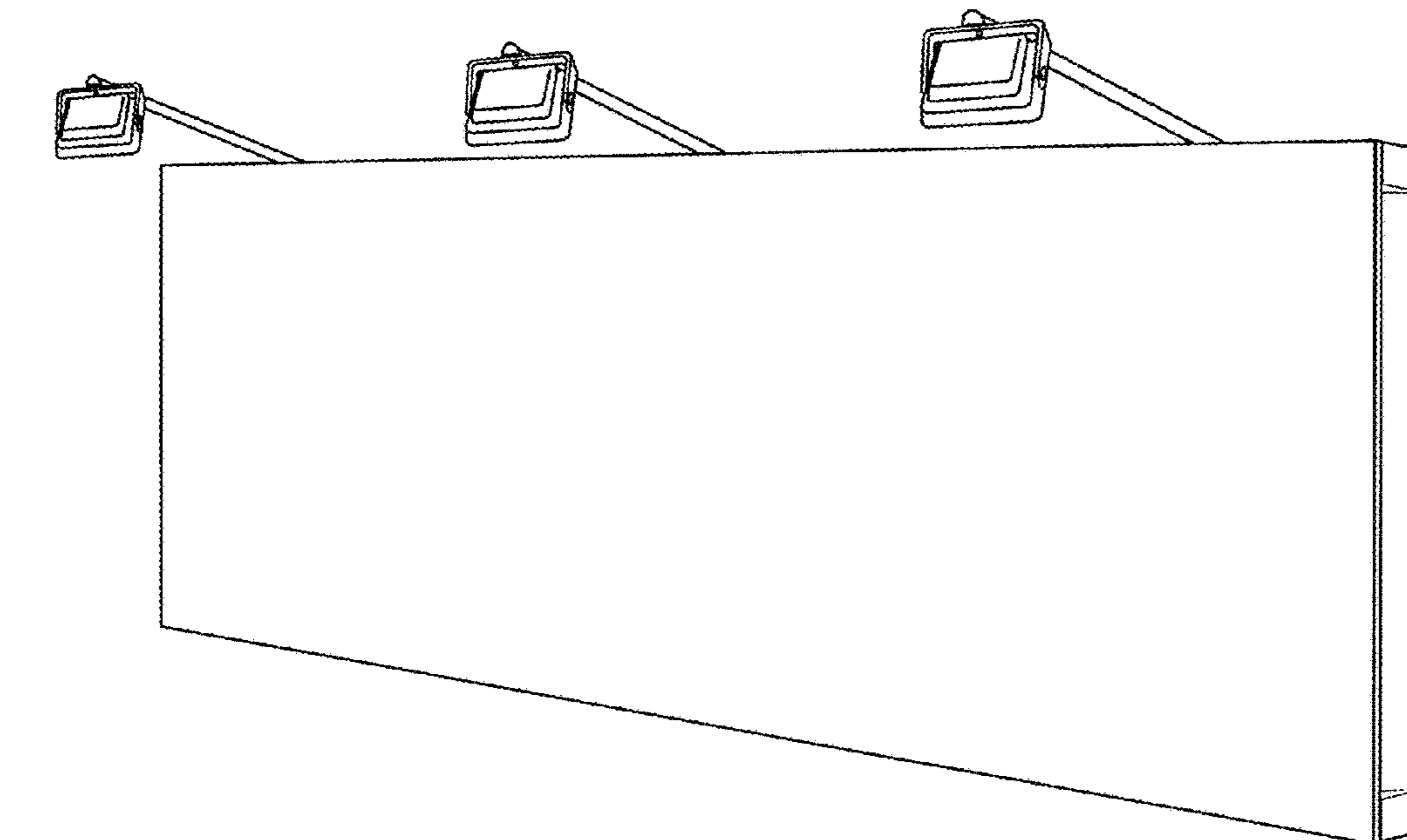
The ornamental design for an advertising plate, as shown.

DESCRIPTION

FIG. 1 is a top perspective view of the advertising plate;
FIG. 2 is a top plan view thereof;
FIG. 3 is a bottom plan view thereof;
FIG. 4 is a left side elevational view thereof;
FIG. 5 is a right side elevational view thereof;
FIG. 6 is a front elevational view thereof; and,
FIG. 7 is a rear elevational view thereof.

1 Claim, 7 Drawing Sheets

(56) **References Cited**
U.S. PATENT DOCUMENTS
3,593,450 A * 7/1971 Mollet
D292,245 S * 10/1987 McCormick
6,946,975 B2 * 9/2005 Hansler
8,454,215 B2 * 6/2013 Bollmann
D687,896 S * 8/2013 Gaspar Dos Santos



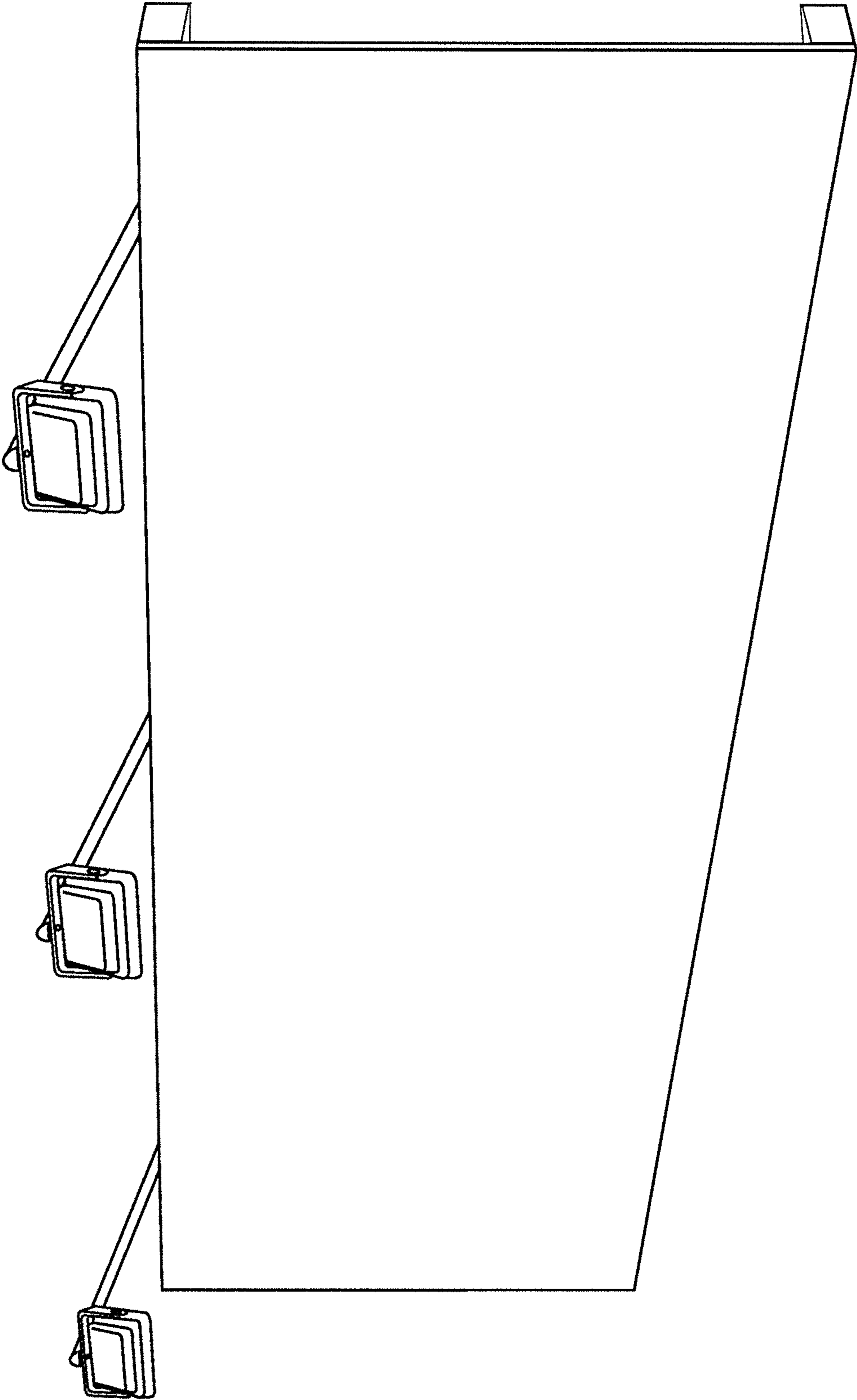


FIG. 1

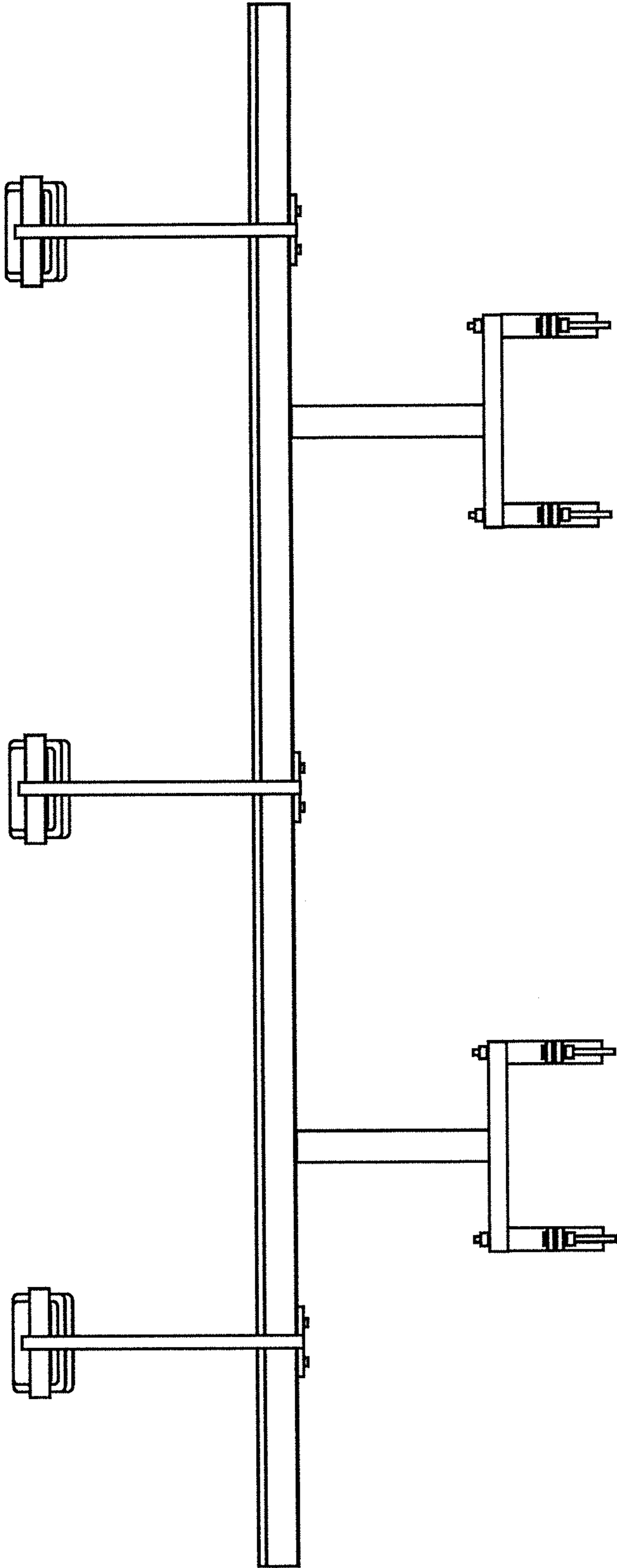


FIG. 2

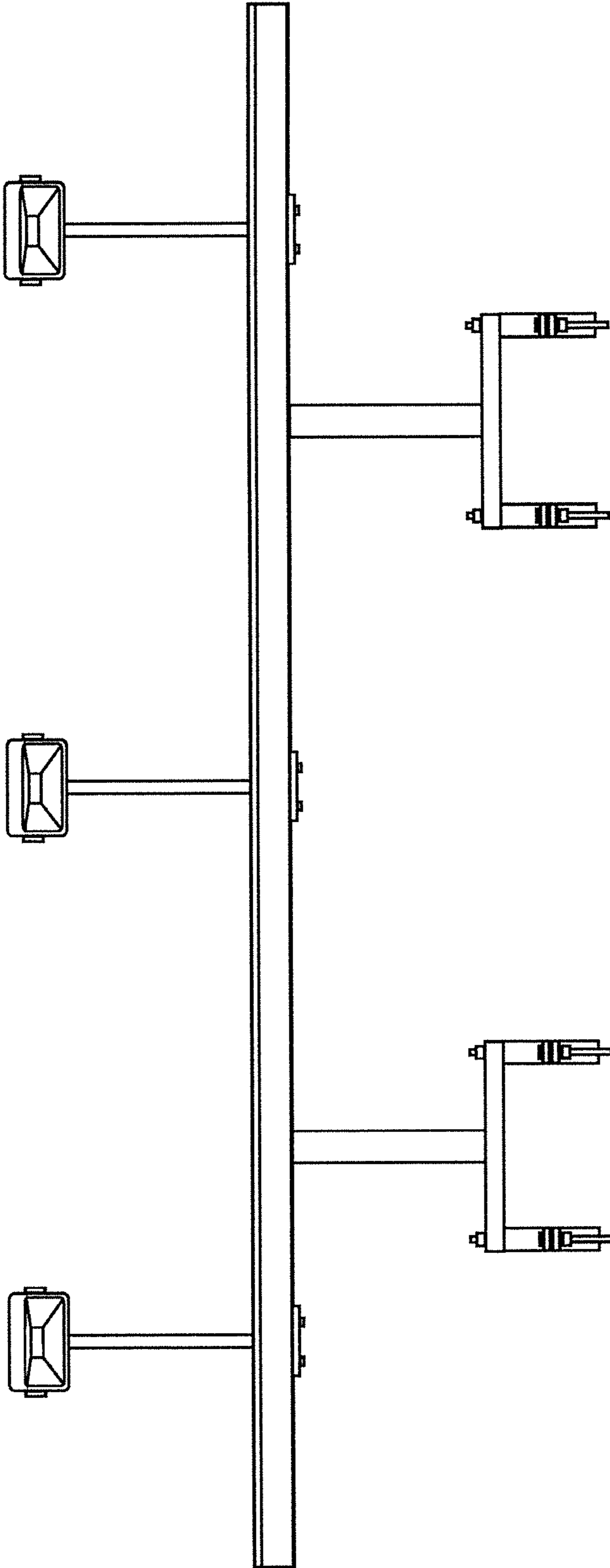


FIG. 3

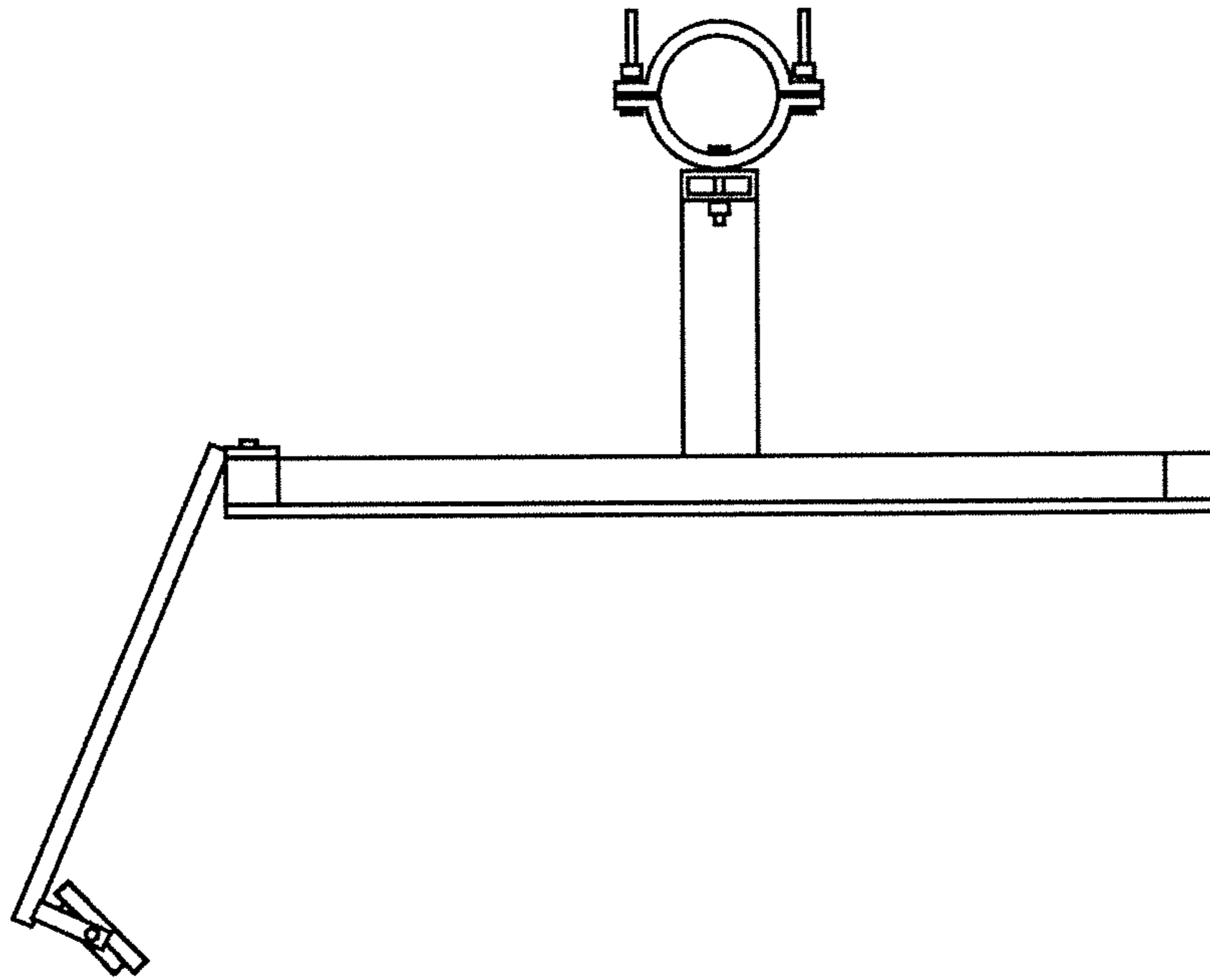
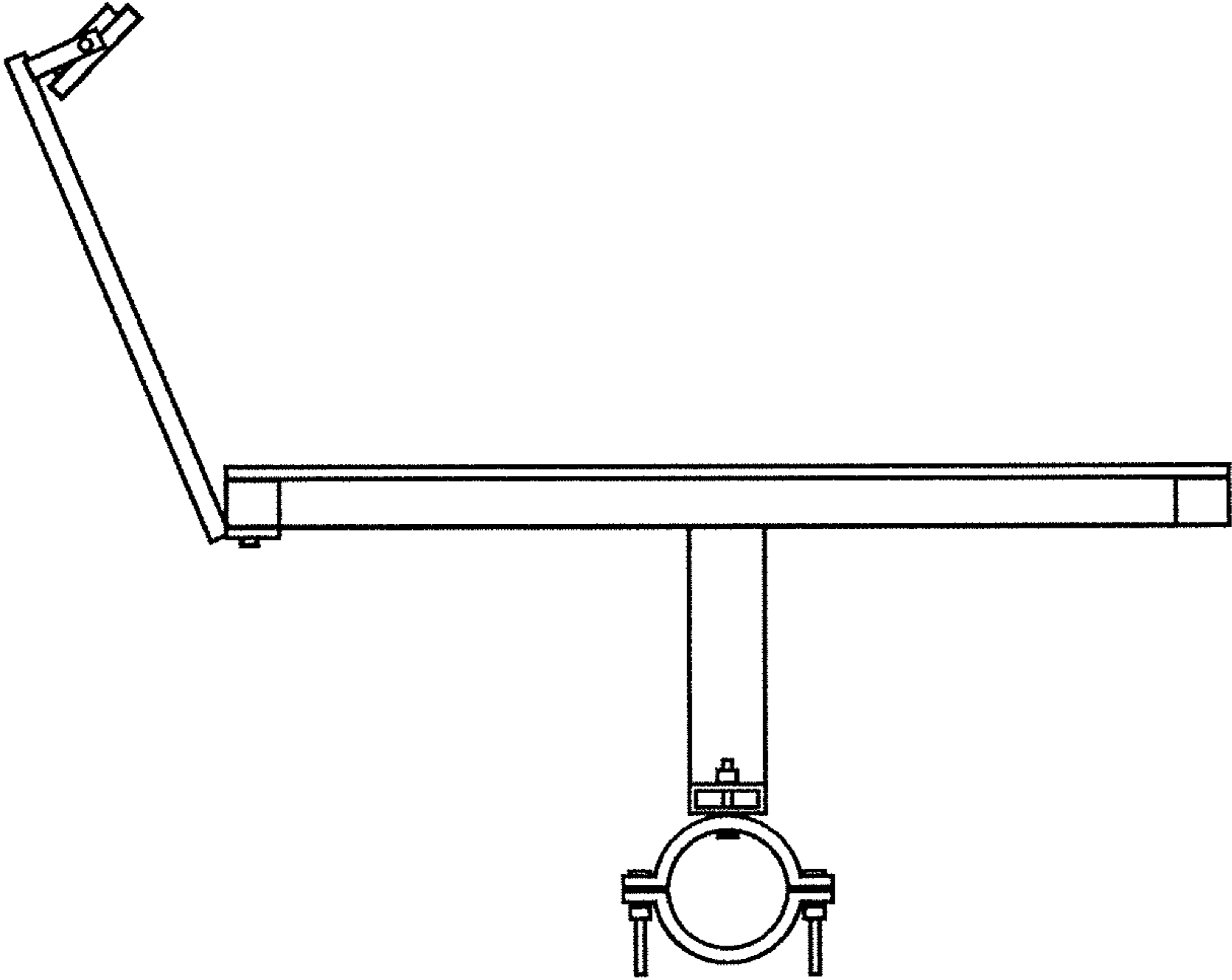


FIG. 4

FIG. 5



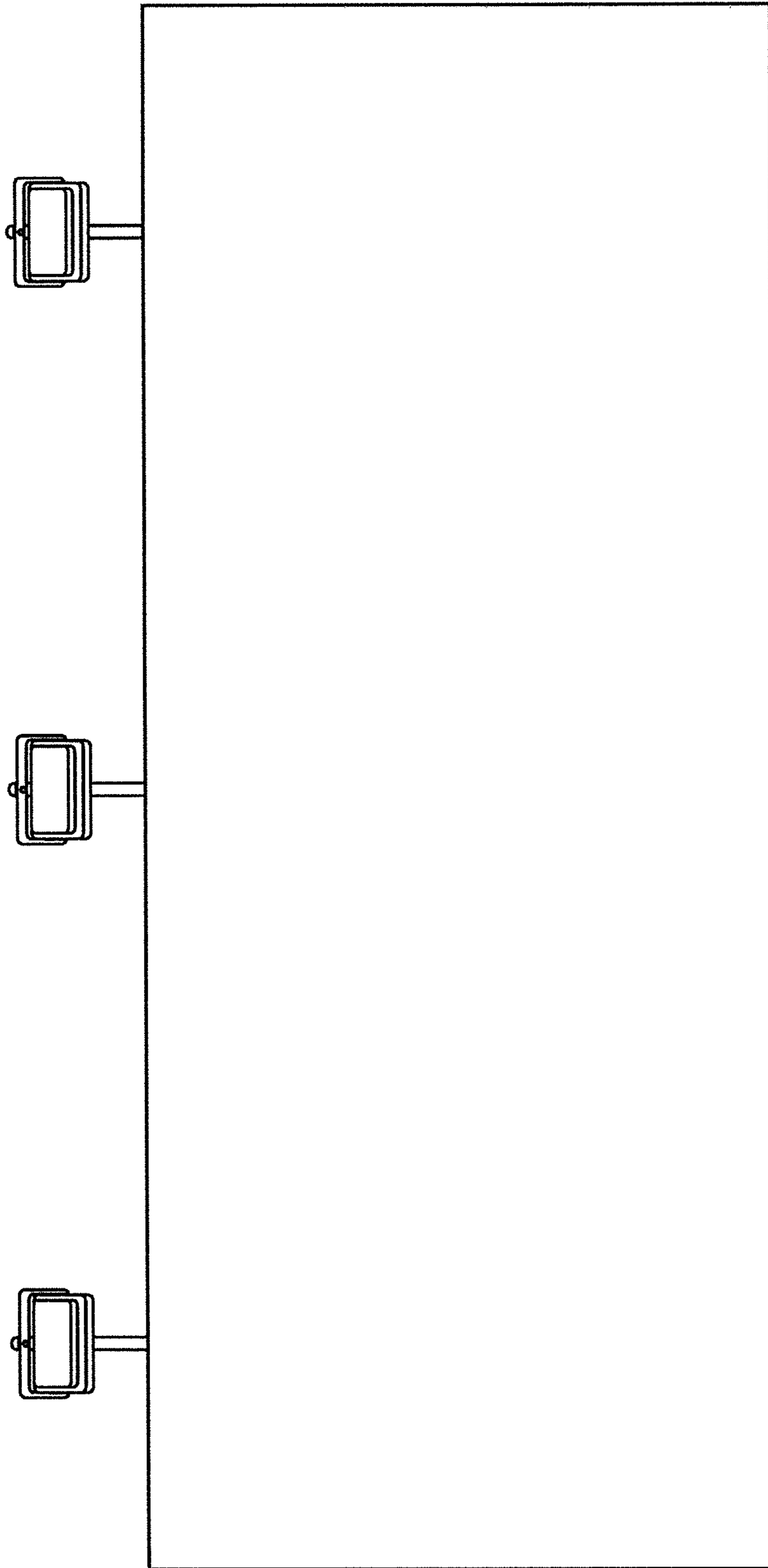


FIG. 6

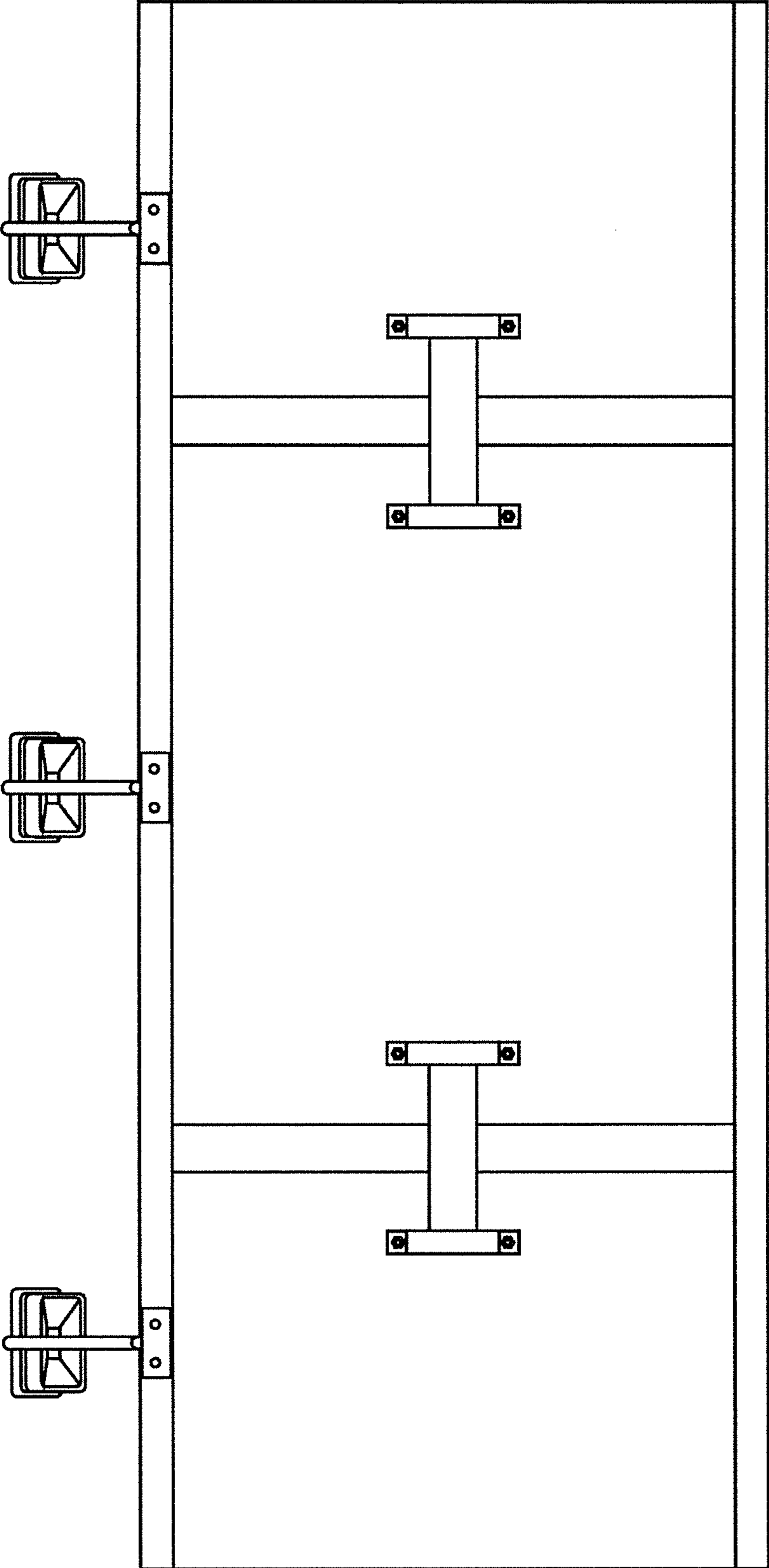


FIG. 7