



US00D912730S

(12) **United States Design Patent**
Heath

(10) **Patent No.:** **US D912,730 S**

(45) **Date of Patent:** **** Mar. 9, 2021**

(54) **DESK DRY ERASE BOARD**

(71) Applicant: **Joel Heath**, Santa Barbara, CA (US)

(72) Inventor: **Joel Heath**, Santa Barbara, CA (US)

(73) Assignee: **COMPANY OF MOTION, LLC**,
Santa Barbara, CA (US)

(**) Term: **15 Years**

(21) Appl. No.: **29/721,728**

(22) Filed: **Jan. 22, 2020**

(51) **LOC (13) Cl.** **19-06**

(52) **U.S. Cl.**
USPC **D19/113**

(58) **Field of Classification Search**

USPC D19/88, 113, 114; D6/300-314, 406.3,
D6/406.4, 406.5, 406.6, 641; D7/698;
D20/21, 40, 42, 43

CPC A47G 1/065; A47G 1/0616; B43L 1/00;
B43L 1/002; B43L 1/008; B43L 1/04;
B43L 1/08; B43L 1/10; B43L 5/00; B44D
3/18; B44D 3/185; G09F 15/00; G09F
15/0056; G09F 15/0068

See application file for complete search history.

(56) **References Cited**

U.S. PATENT DOCUMENTS

1,981,674	A *	11/1934	Solomon	A45D 27/22 312/281
2,933,360	A *	4/1960	Sitler	A47B 77/04 312/195
D239,316	S *	3/1976	Smith	D9/432
D248,110	S *	6/1978	Wright	D19/91
4,155,312	A *	5/1979	Thorkildson	A47B 45/00 108/102
D280,469	S *	9/1985	Heyman	D6/300
D280,583	S *	9/1985	Evenson	D6/574
4,569,572	A *	2/1986	Kopich	H04N 5/65 348/373
D305,648	S *	1/1990	Edington	D14/239
D408,388	S *	4/1999	Wiggins	D14/457

D443,163	S *	6/2001	Welch	D6/574
D558,461	S *	1/2008	Yu	D6/310
D577,769	S *	9/2008	Warner	D19/113
D586,165	S *	2/2009	Lenterman	D6/705
D598,228	S *	8/2009	West	D6/574

(Continued)

Primary Examiner — Elizabeth A. Albert

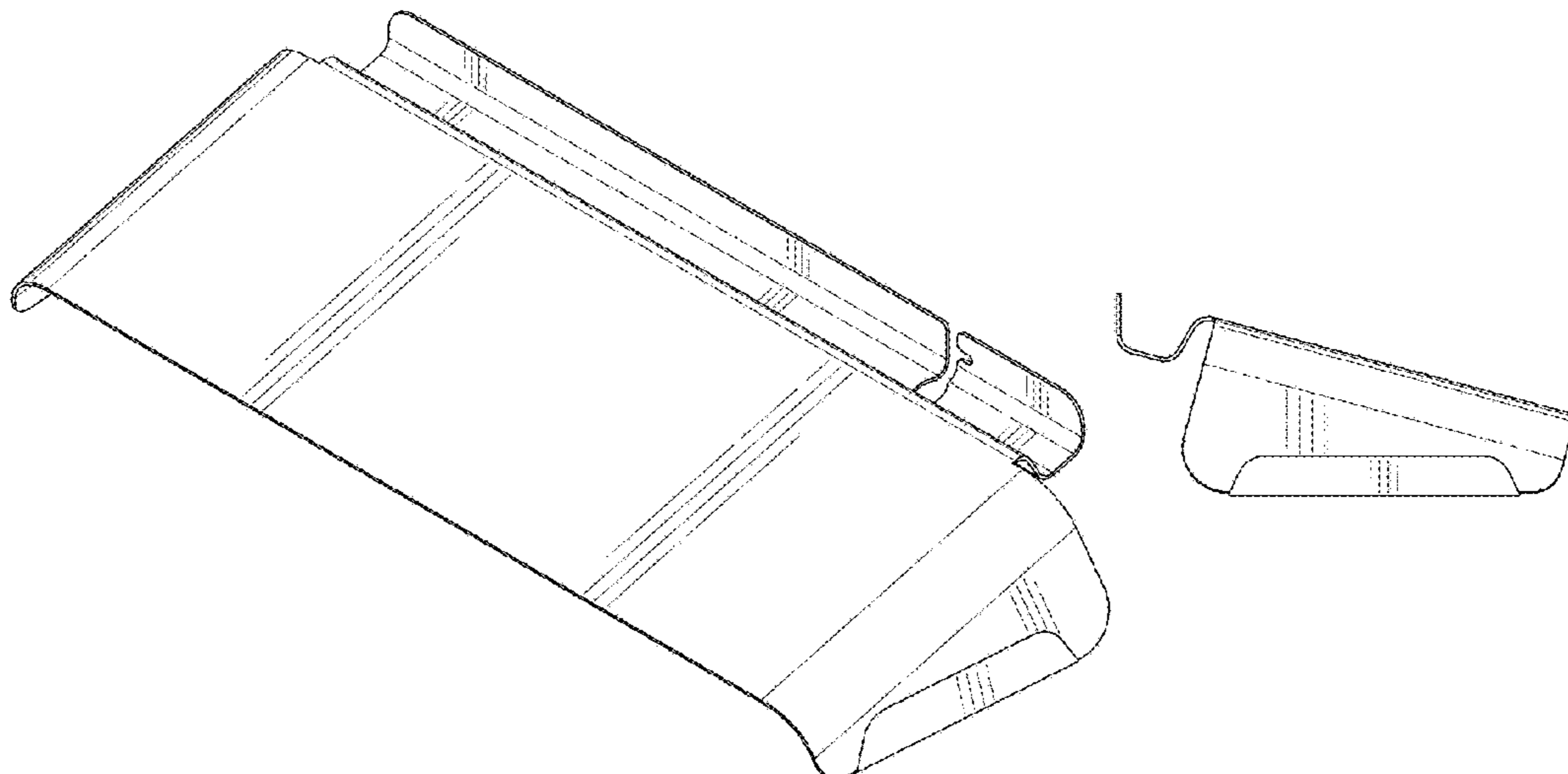
(57) **CLAIM**

The ornamental design for a desk dry erase board, as shown and described.

DESCRIPTION

FIG. 1 is a perspective view of a desk dry erase board showing my new design, according to a first embodiment; FIG. 2 is a front view thereof; FIG. 3 is a rear view thereof; FIG. 4 is a left side view thereof; FIG. 5 is a right side view thereof; FIG. 6 is a top view thereof; FIG. 7 is a bottom view thereof; FIG. 8 is a perspective view of the desk dry erase board of FIG. 1, according to a second embodiment; FIG. 9 is a front view thereof; FIG. 10 is a rear view thereof; FIG. 11 is a left side view thereof; FIG. 12 is a right side view thereof; FIG. 13 is a top view thereof; FIG. 14 is a bottom view thereof; FIG. 15 is a perspective view of the desk dry erase board of FIG. 1, according to a third embodiment; FIG. 16 is a front view thereof; FIG. 17 is a rear view thereof; FIG. 18 is a left side view thereof; FIG. 19 is a right side view thereof; FIG. 20 is a top view thereof; and, FIG. 21 is a bottom view thereof.

1 Claim, 21 Drawing Sheets



(56)

References Cited

U.S. PATENT DOCUMENTS

D620,942 S *	8/2010	Huang	D14/447
D656,694 S *	3/2012	Kim	D32/25
D678,699 S *	3/2013	Stravitz	D6/707.21
D688,905 S *	9/2013	Stravitz	D6/705
D745,902 S *	12/2015	Choi	D15/89
D750,909 S *	3/2016	Hickman	D6/310
D778,365 S *	2/2017	Kott	D20/43
D789,703 S *	6/2017	Qiao	A47C 7/70
				D6/406.3
D789,717 S *	6/2017	Renjilian	D6/705
D888,512 S *	6/2020	Hinojosa	D7/698
D894,809 S *	9/2020	Chi	D12/196

* cited by examiner

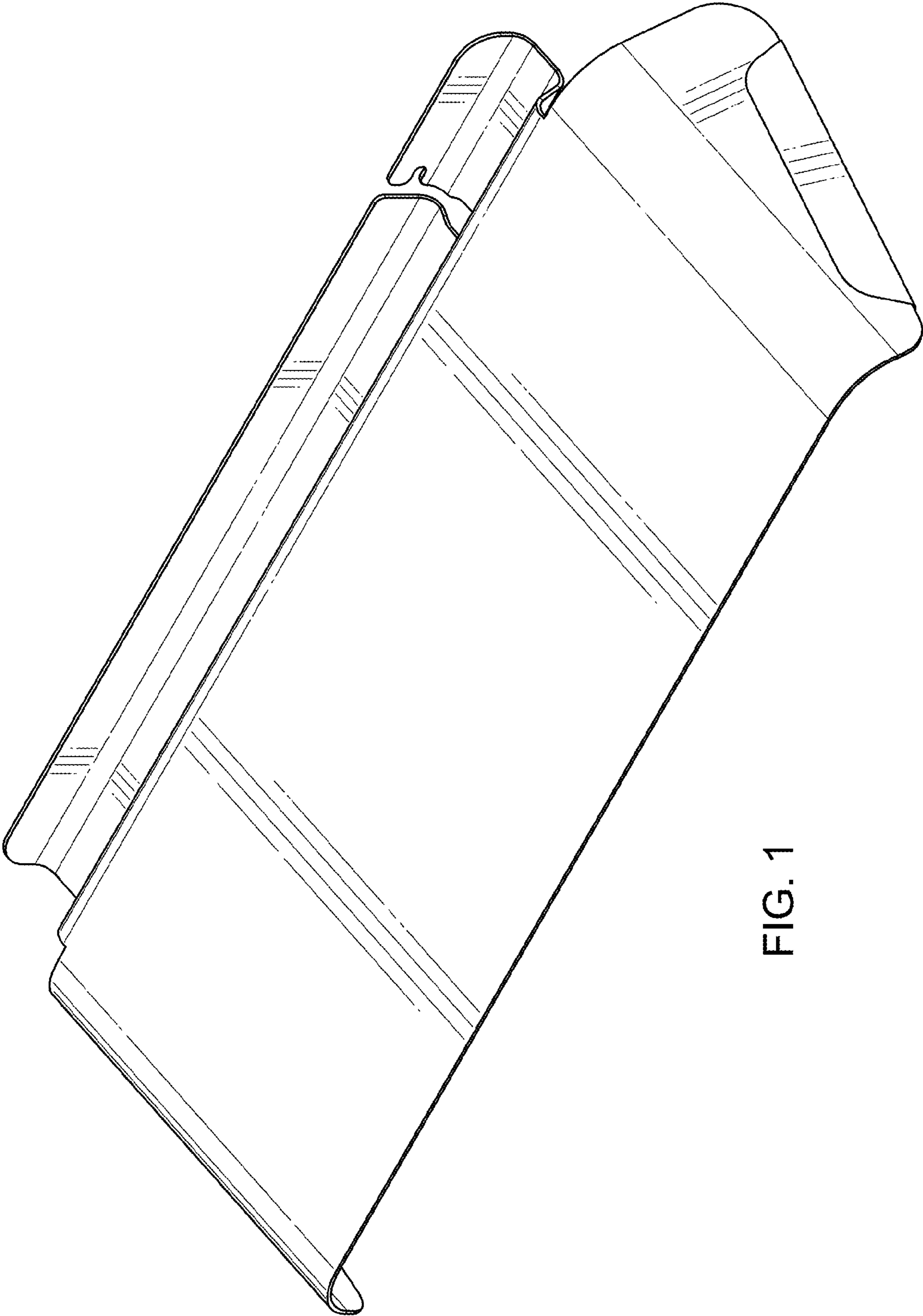


FIG. 1

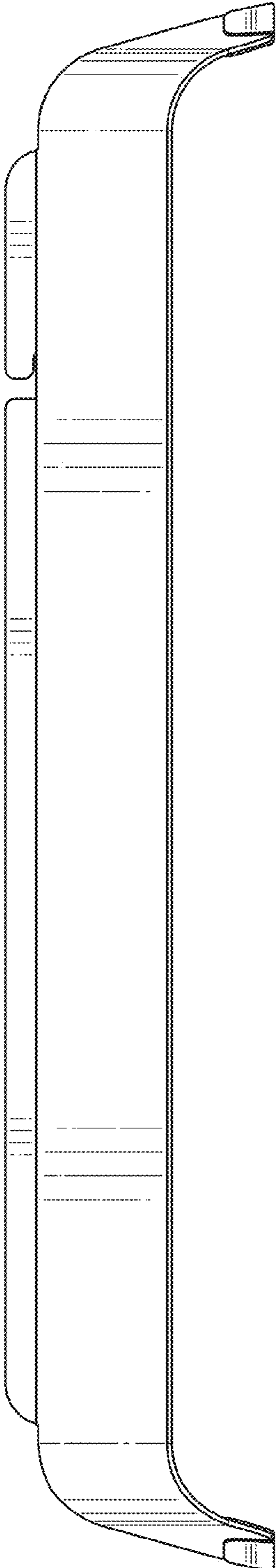


FIG. 2

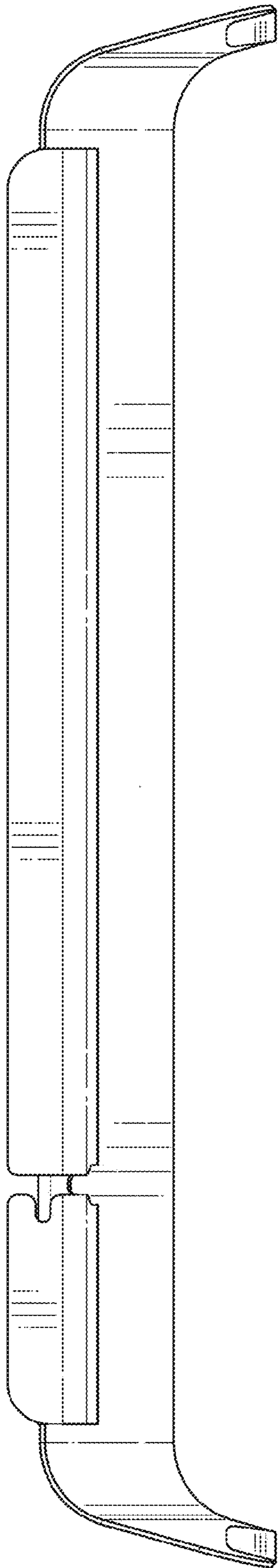


FIG. 3

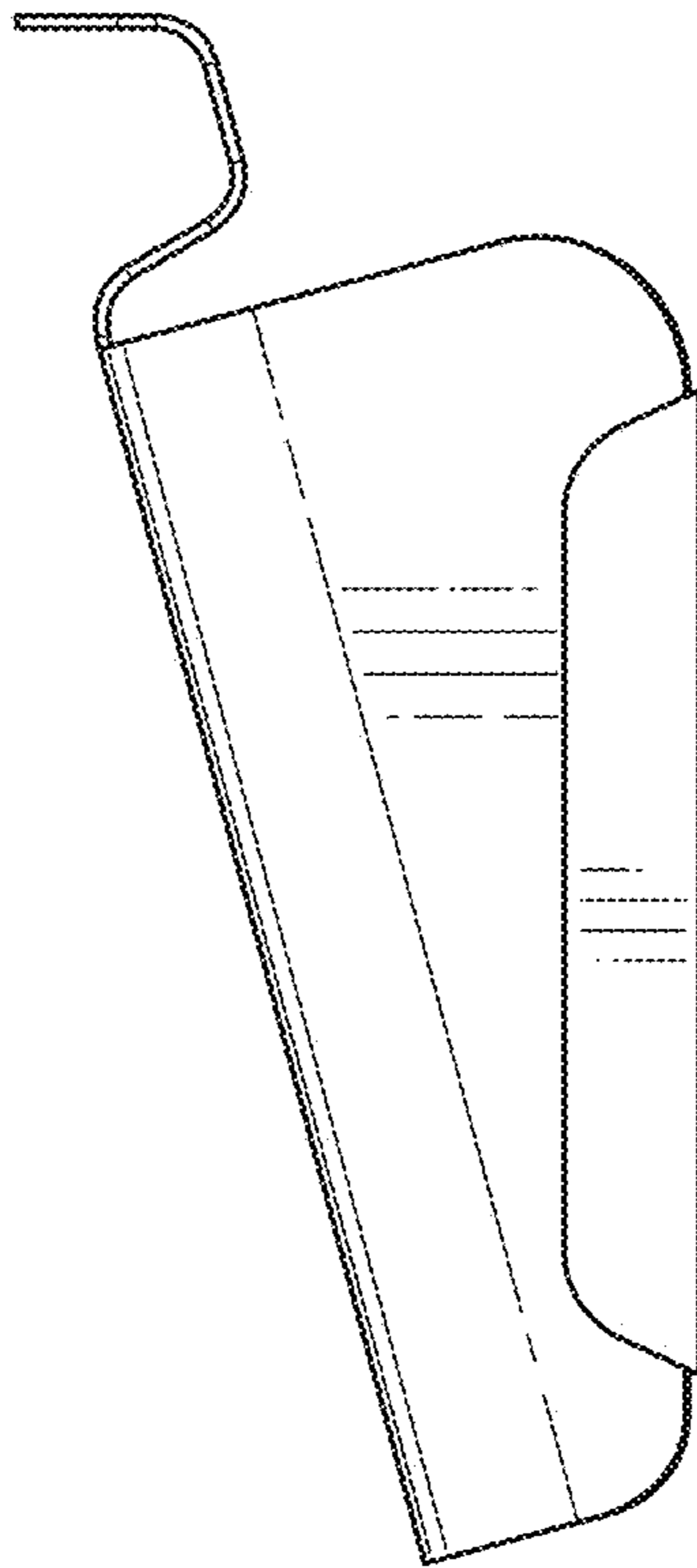


FIG. 4

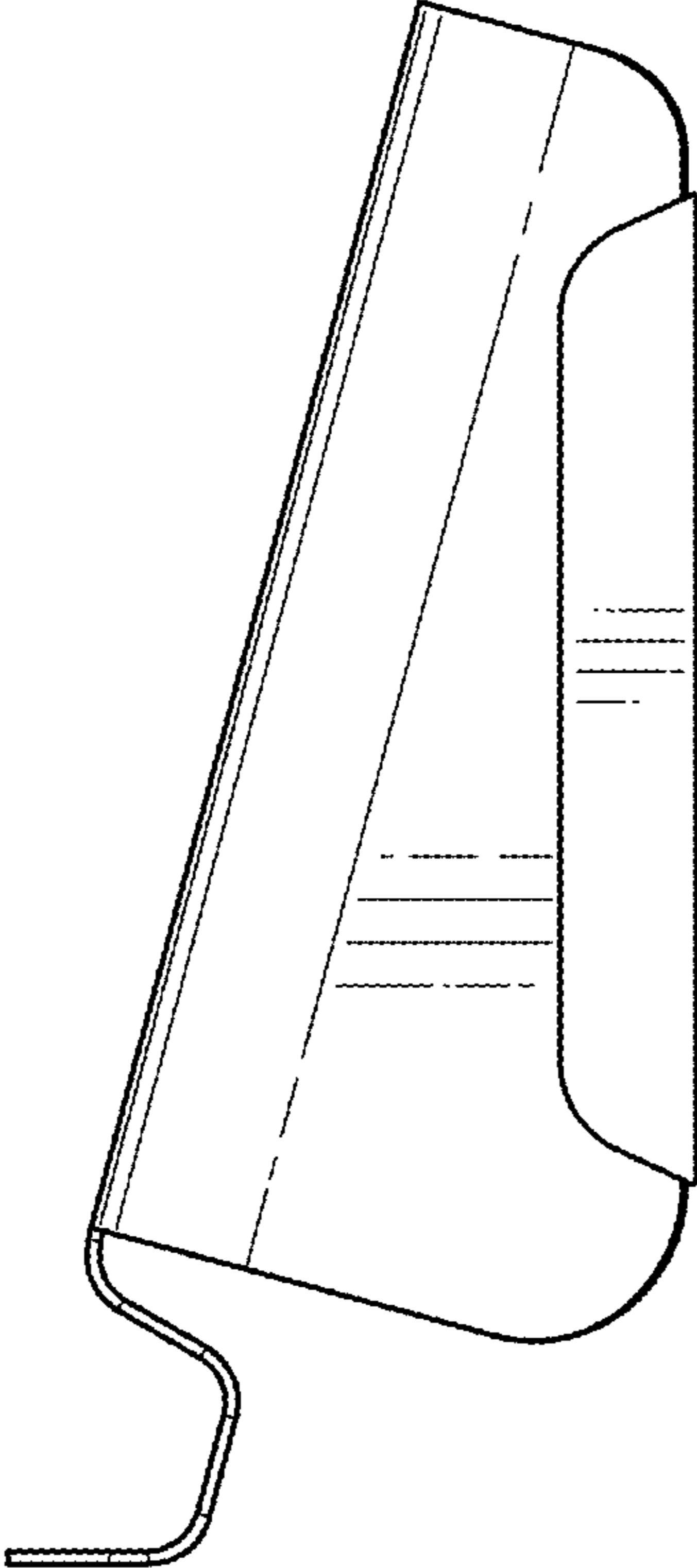


FIG. 5

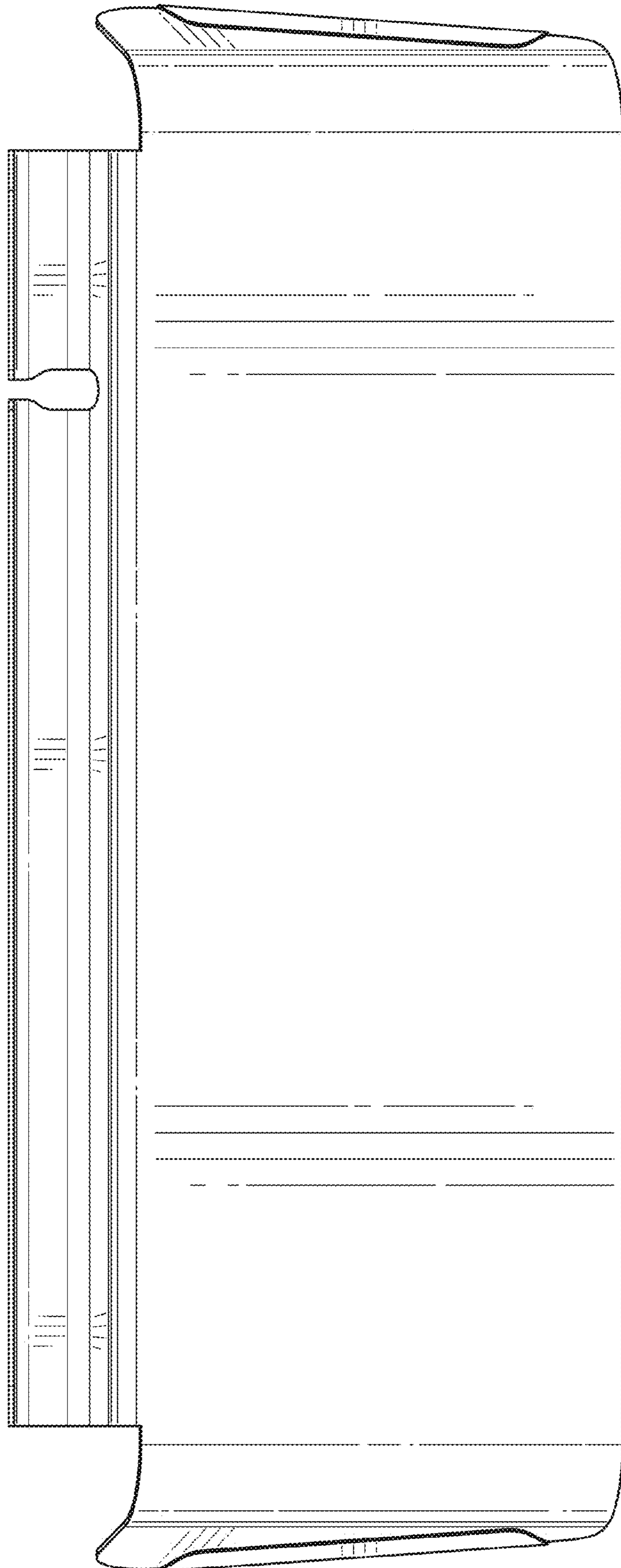


FIG. 6

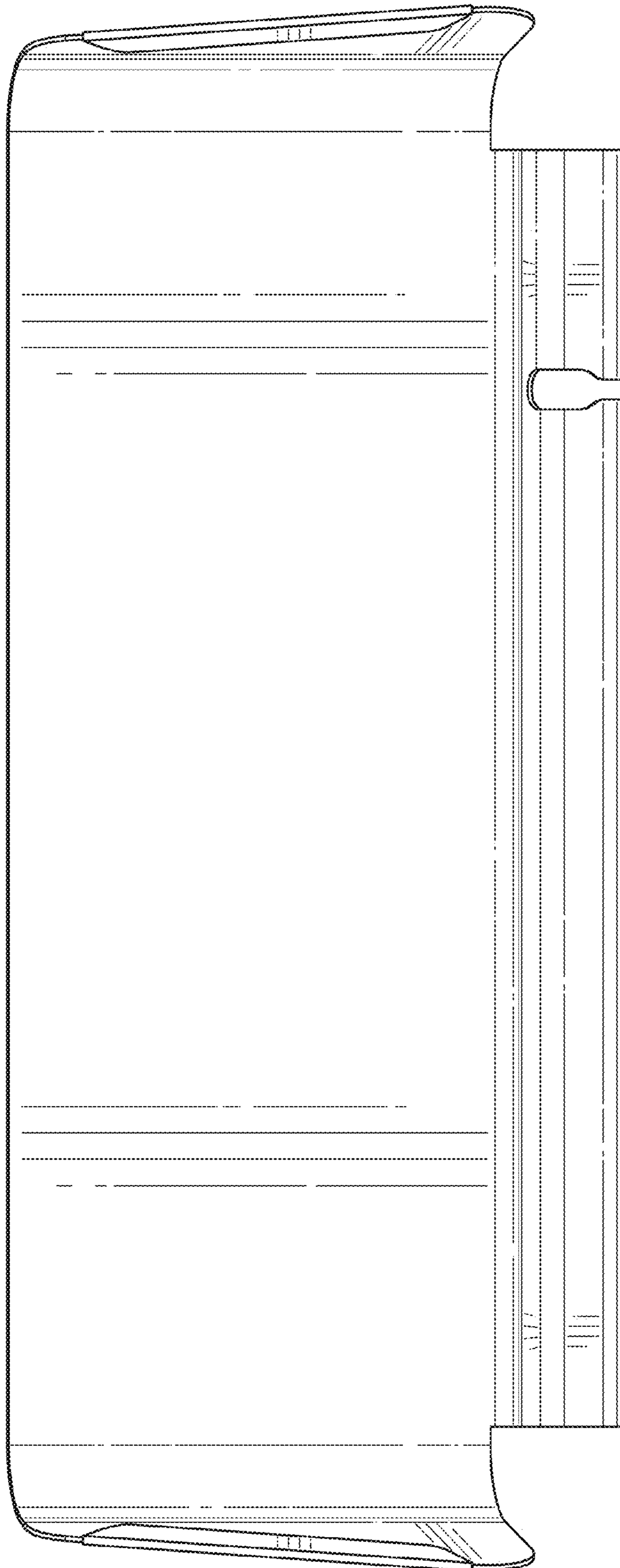


FIG. 7

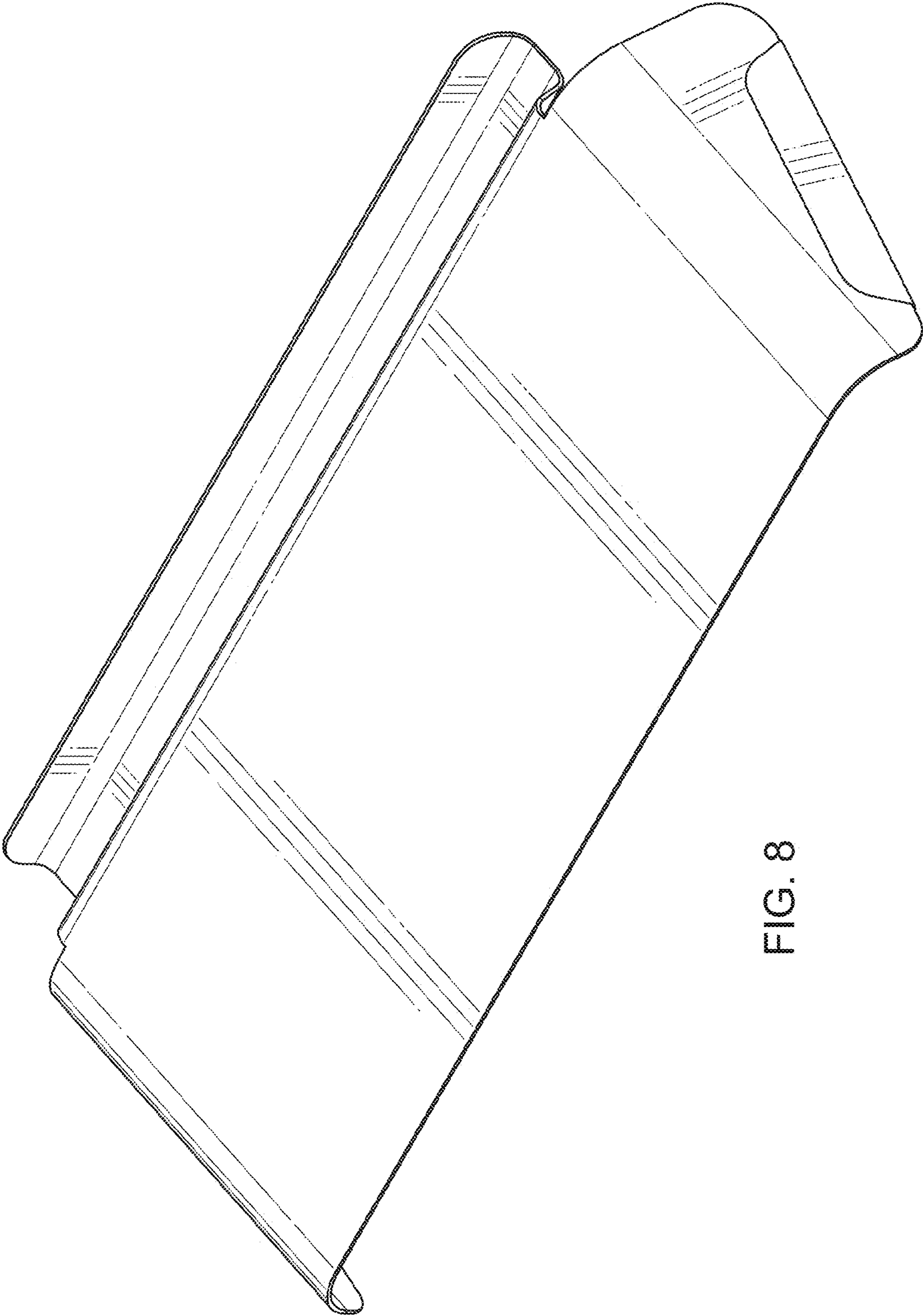


FIG. 8

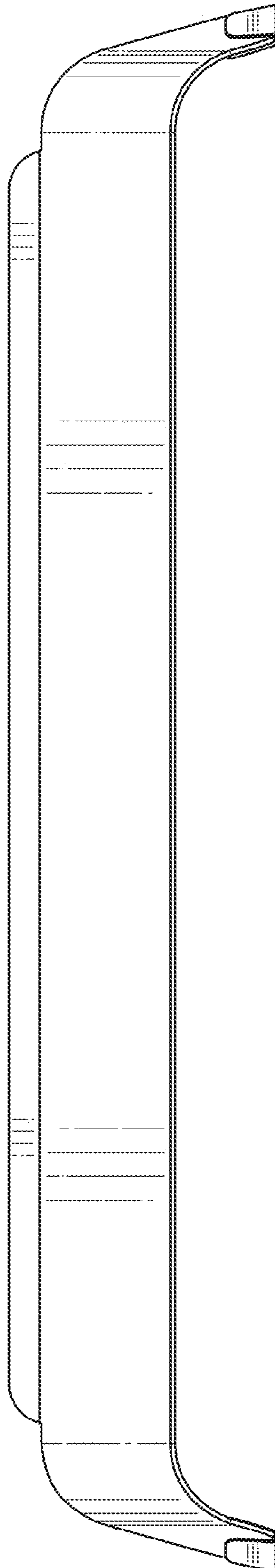


FIG. 9

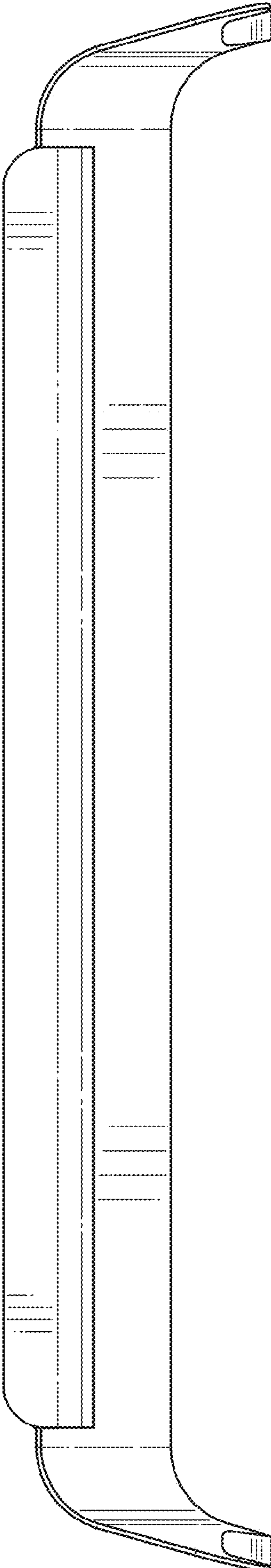


FIG. 10

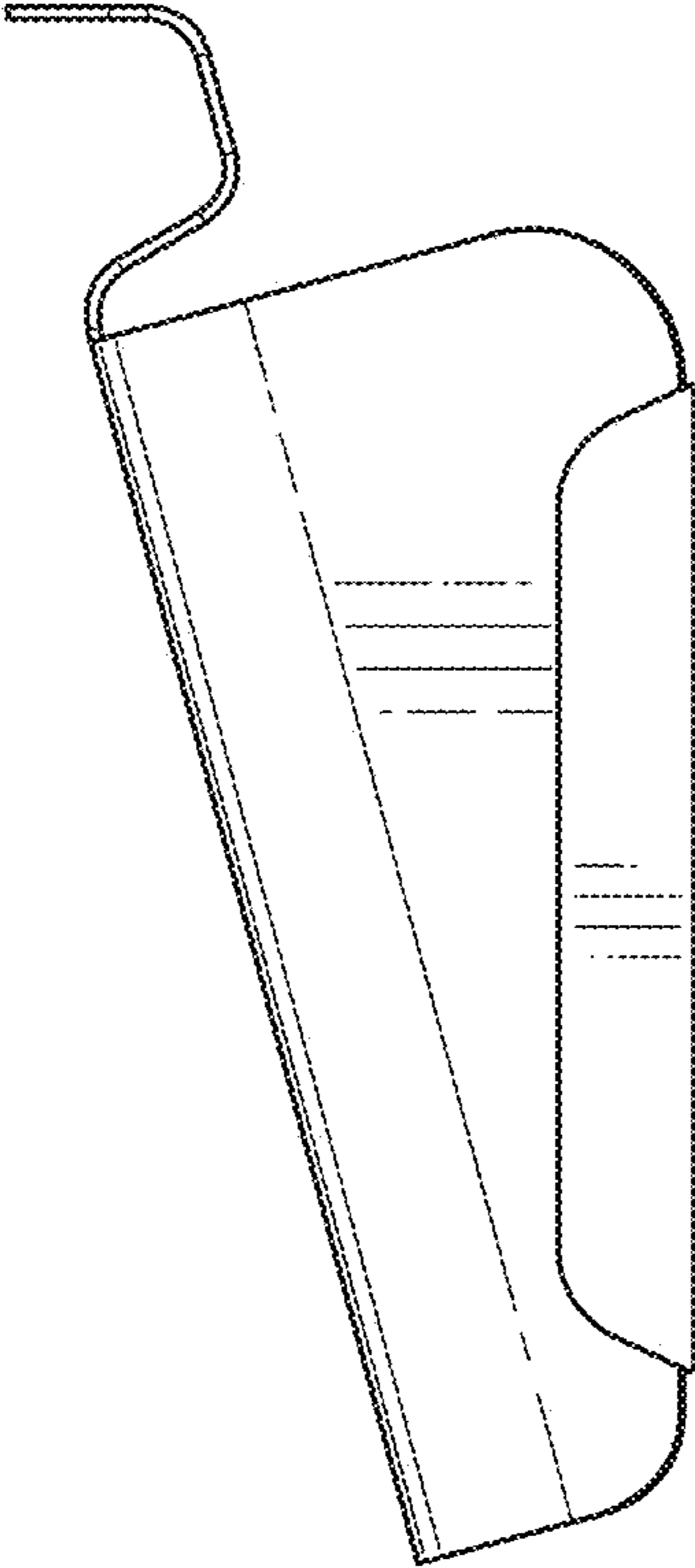


FIG. 11

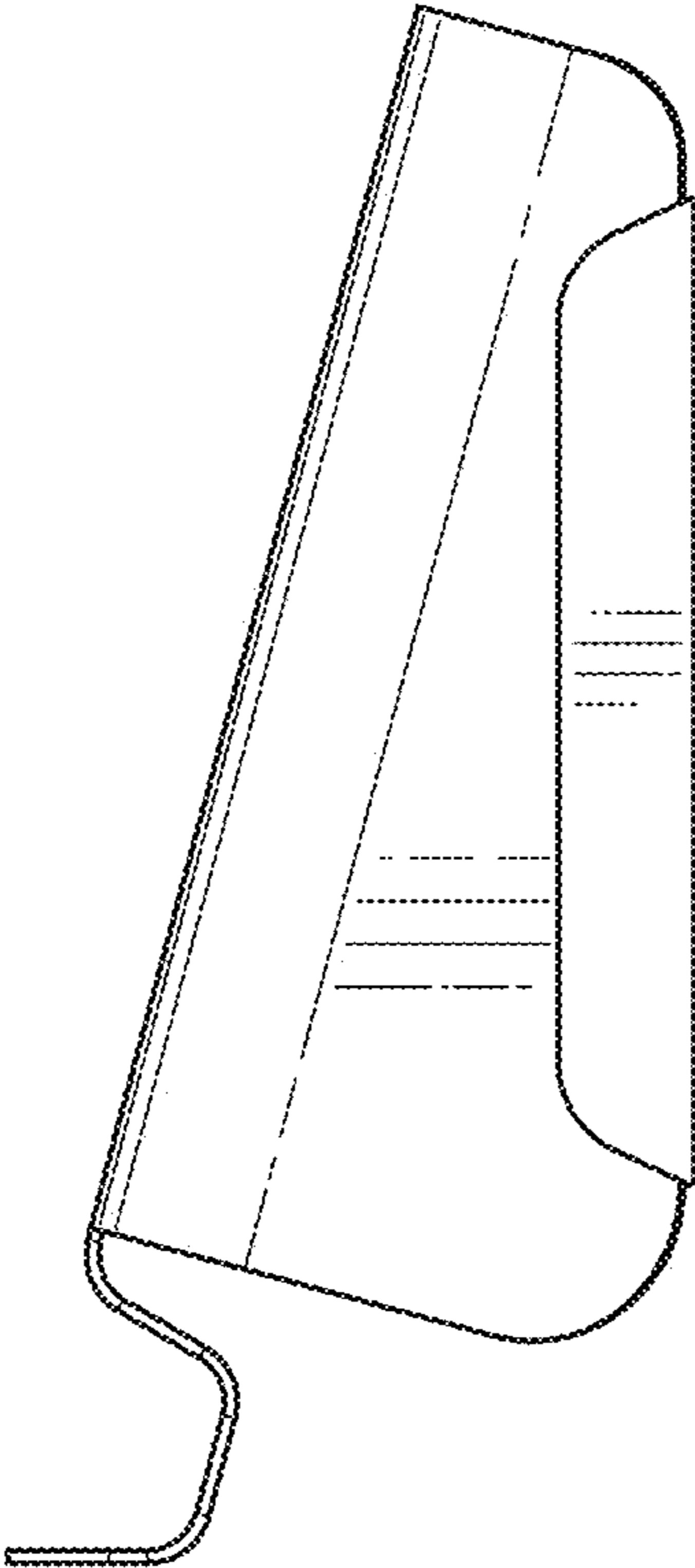


FIG. 12

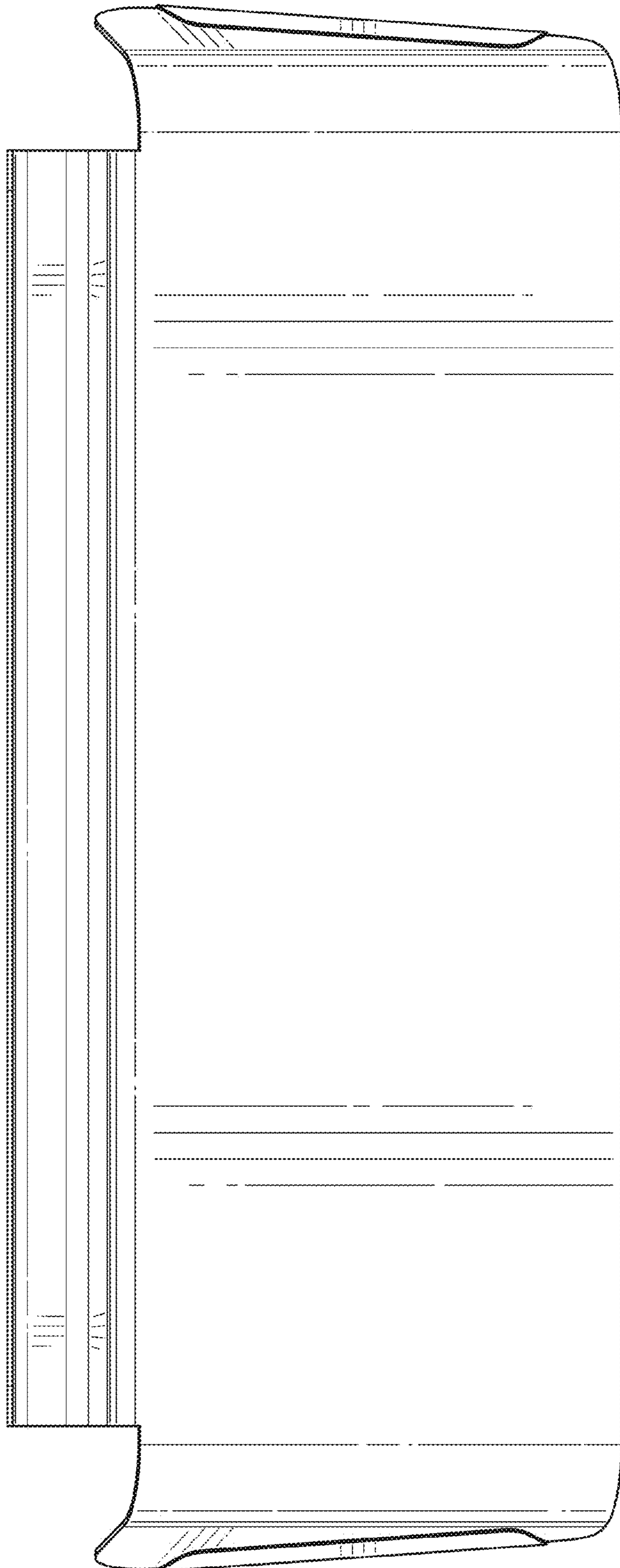


FIG. 13

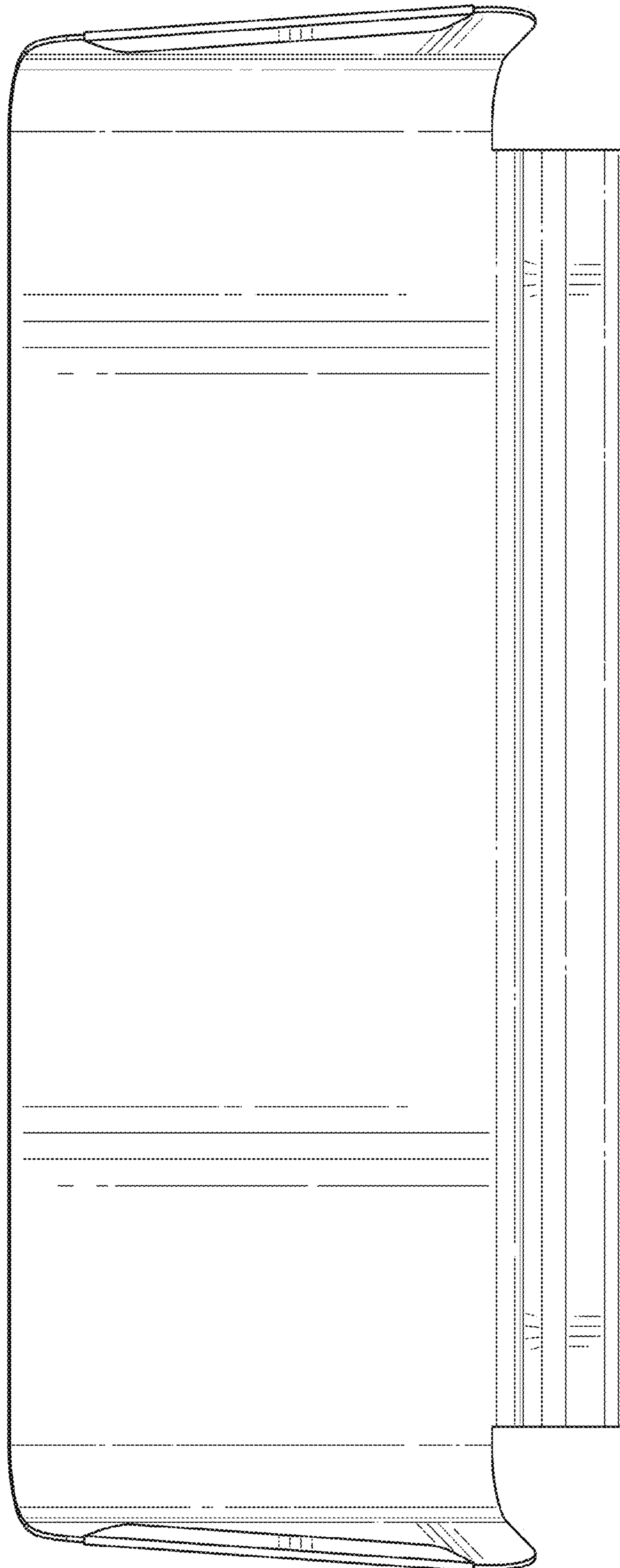


FIG. 14

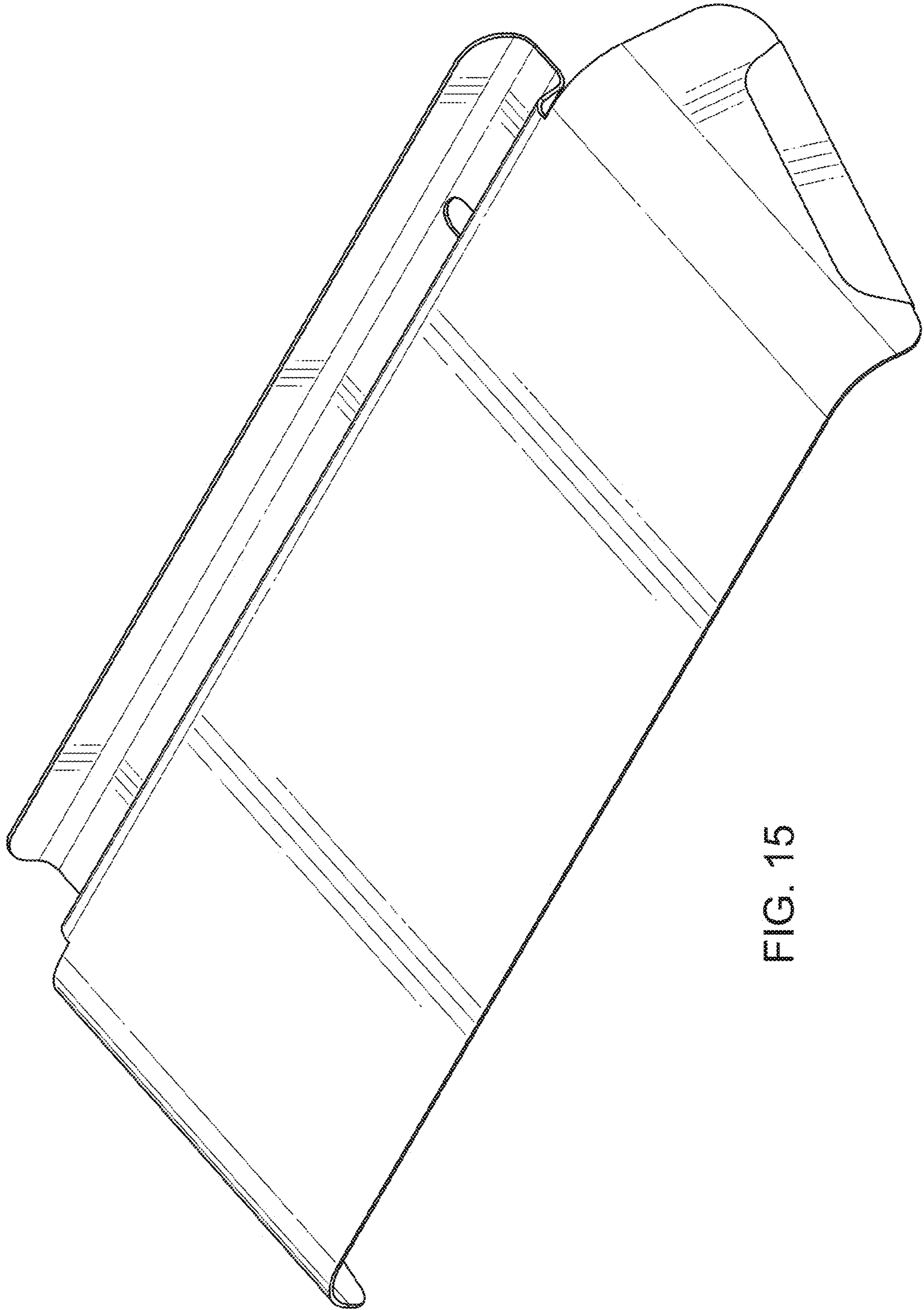


FIG. 15

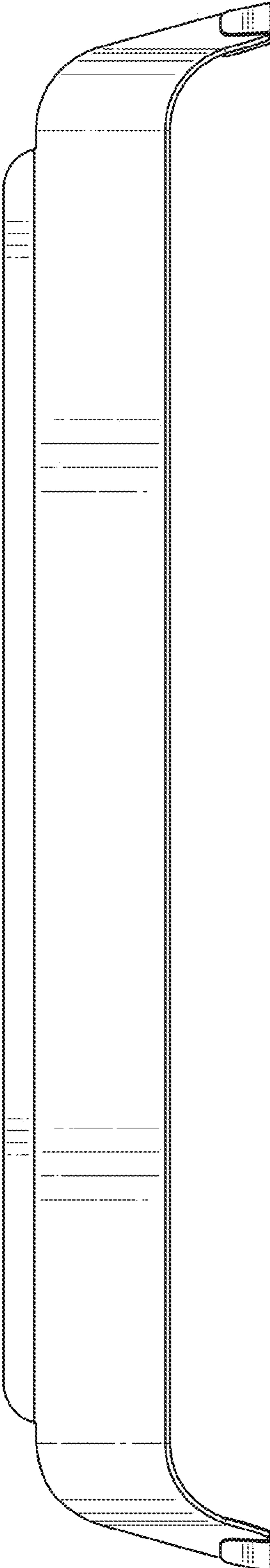


FIG. 16

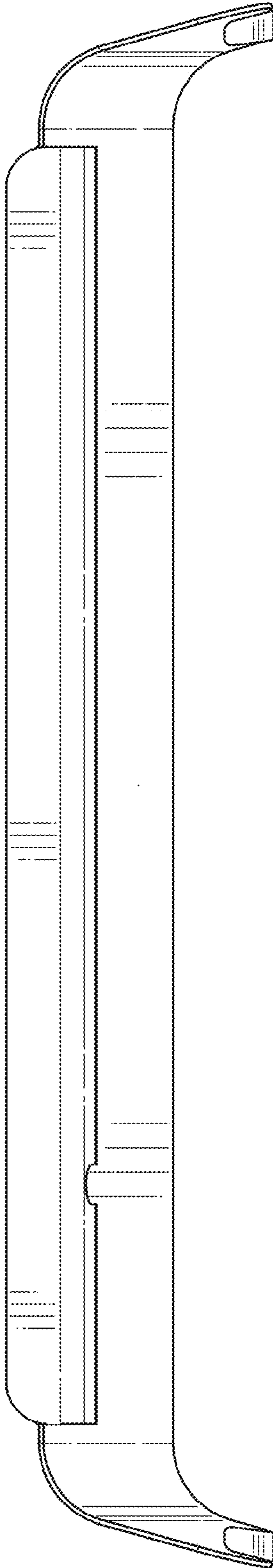


FIG. 17

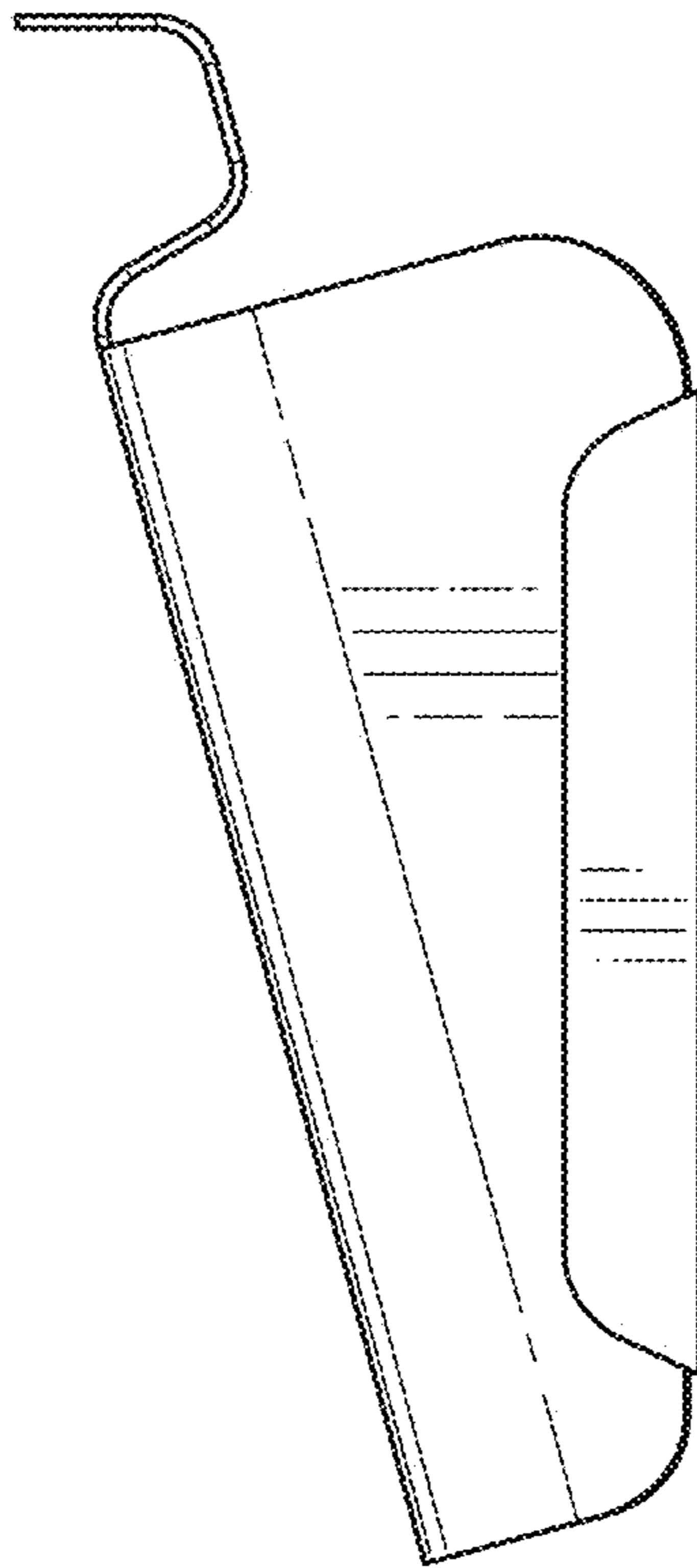


FIG. 18

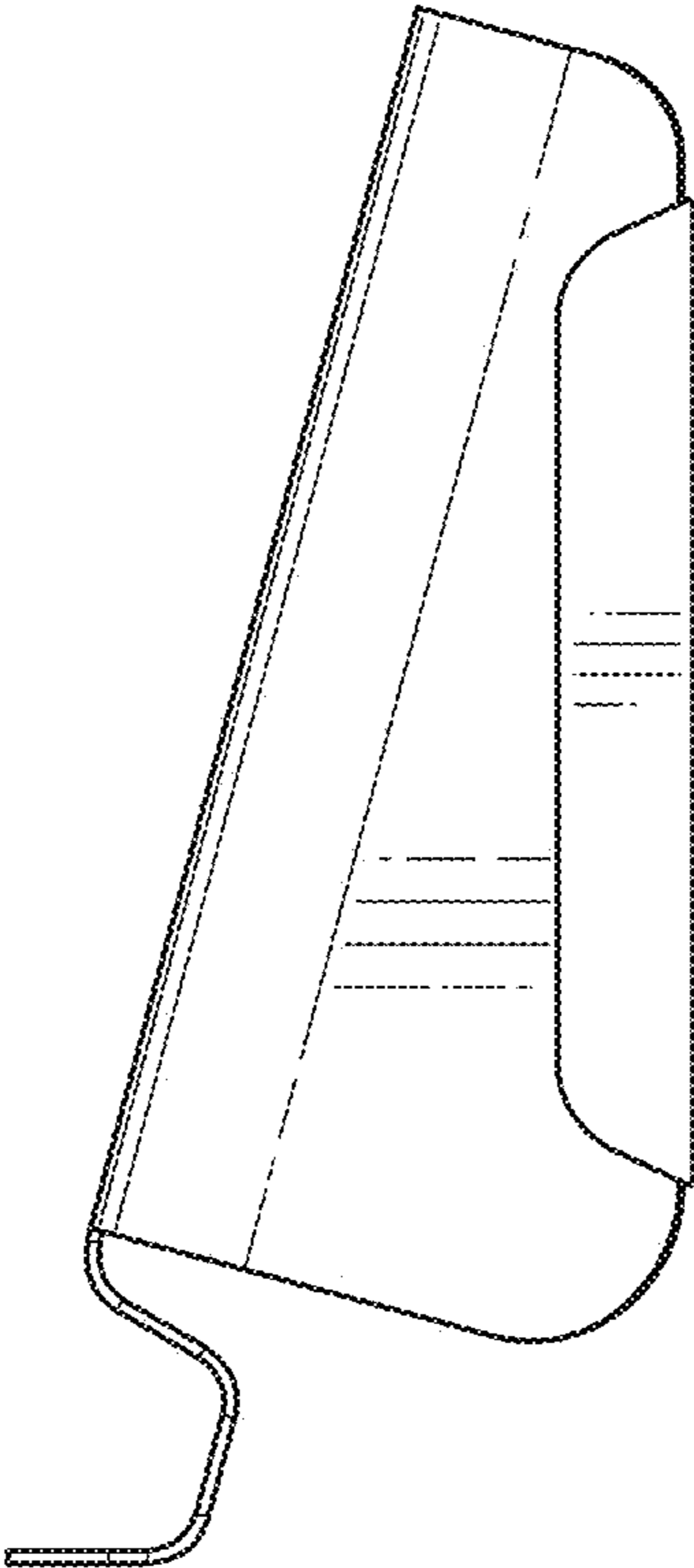


FIG. 19

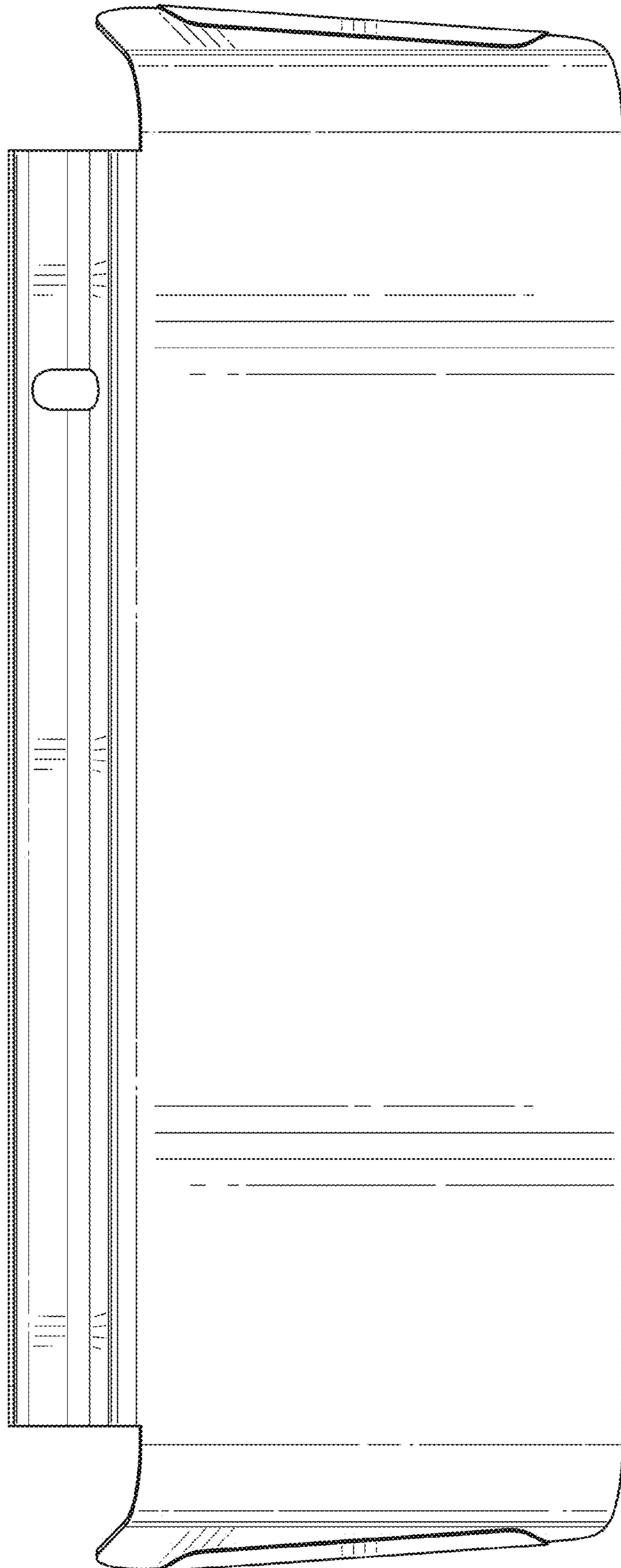


FIG. 20

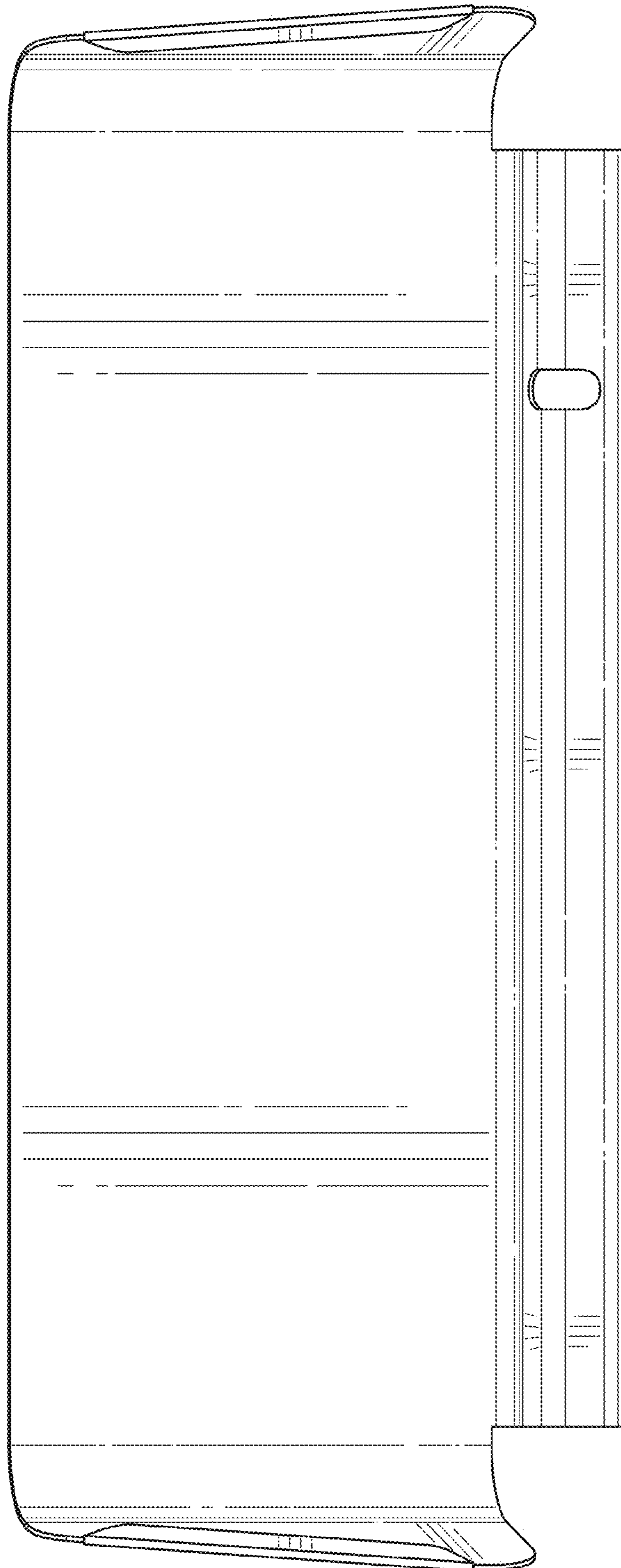


FIG. 21