



US00D912724S

(12) **United States Design Patent**
Bright

(10) **Patent No.:** **US D912,724 S**

(45) **Date of Patent:** **** Mar. 9, 2021**

(54) **REMOVABLE ORNAMENTATION FOR EYEGLASSES**

(71) Applicant: **Shana Bright**, Coral Springs, FL (US)

(72) Inventor: **Shana Bright**, Coral Springs, FL (US)

(**) Term: **15 Years**

(21) Appl. No.: **29/706,824**

(22) Filed: **Sep. 24, 2019**

(51) **LOC (13) Cl.** **16-06**

(52) **U.S. Cl.**
USPC **D16/341**

(58) **Field of Classification Search**
USPC D16/101, 300-342, 900; D29/109-110;
D21/483, 659-661; D14/372; 351/41,
351/44, 45-48, 51-52, 62, 158, 92,
351/103-123, 140-153, 63, 59; 2/13, 15,
2/426-432, 447-449, 441, 434-437
CPC G02C 2200/08; G02C 1/06; G02C 5/14;
G02C 11/02; G02C 11/04; G02C 5/16;
G02C 2200/22; G02C 5/146; G02C
5/2254; G02C 5/008; G01C 5/16; A61M
2021/0044; A63B 33/002
See application file for complete search history.

(56) **References Cited**

U.S. PATENT DOCUMENTS

D142,935 S *	11/1945	Barrett	D16/342
D269,100 S *	5/1983	Reder	D21/551
D272,898 S *	3/1984	Kuchenbecker	D12/108
D318,698 S *	7/1991	Roann	D21/548
5,110,198 A *	5/1992	Travis	G02C 5/02 351/121
5,654,787 A *	8/1997	Barison	G02C 3/003 351/157
D402,332 S *	12/1998	Fichter	D21/433
D412,542 S *	8/1999	Lun	D21/548

D428,431 S *	7/2000	Jordan	D16/309
D428,622 S *	7/2000	de Baschmakoff	D16/335
D430,180 S *	8/2000	Atkins	D16/101
D457,552 S *	5/2002	Lee	D16/315
6,390,883 B1 *	5/2002	Choi	A63H 17/36 446/436
D458,293 S *	6/2002	Lee	D16/314
6,520,635 B1 *	2/2003	Ignatowski	A44C 15/003 351/157
D516,605 S *	3/2006	Marc	D16/334
7,524,052 B2 *	4/2009	Esses	G02C 11/02 351/52
D596,662 S *	7/2009	Gonzalez	D16/323
7,591,554 B2 *	9/2009	Guerrero	G02C 11/02 351/51
D601,614 S *	10/2009	Mouclier	D16/321
D625,352 S *	10/2010	Gonzalez	D16/335
D632,347 S *	2/2011	Hornsby	D21/548
D634,775 S *	3/2011	Cornell	D16/342

(Continued)

Primary Examiner — Sanjeev Paul
(74) *Attorney, Agent, or Firm* — Sanchelima &
Associates, P.A.; Christian Sanchelima; Jesus Sanchelima

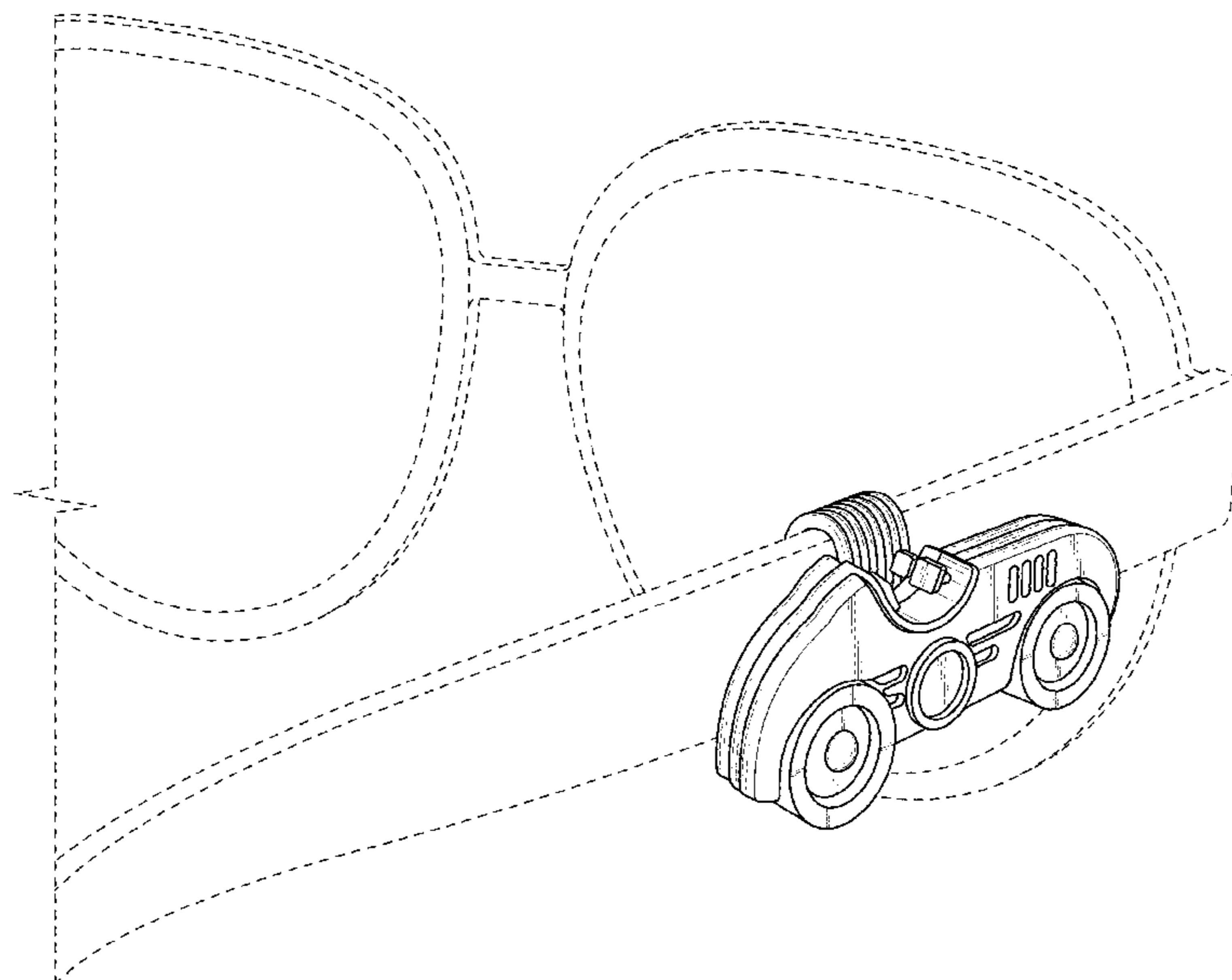
(57) **CLAIM**

The ornamental design for a removable ornamentation for eyeglasses, as shown and described.

DESCRIPTION

FIG. 1 is an isometric view of a removable ornamentation for eyeglasses showing my new design; FIG. 2 is a front elevational view thereof; FIG. 3 is a top plan view thereof; FIG. 4 is a bottom plan view thereof; FIG. 5 is a right elevational view thereof; FIG. 6 is a left side elevational view thereof; and, FIG. 7 is a rear elevational view thereof showing my design. The broken lines shown in the drawing are included for the purpose of illustrating environmental subject matter and form no part of the claimed design.

1 Claim, 4 Drawing Sheets



(56)

References Cited

U.S. PATENT DOCUMENTS

D635,608 S *	4/2011	Gray	D16/341	D812,129 S *	3/2018	Pinkney	D16/334
D637,644 S *	5/2011	Gonzalez	D16/326	D829,811 S *	10/2018	Maramotti	D16/335
D640,755 S *	6/2011	Herlitz	D21/433	D833,517 S *	11/2018	Skelton	D16/335
D652,086 S *	1/2012	Schmidem	D21/433	D845,382 S *	4/2019	Le Grand	D16/335
8,266,768 B2 *	9/2012	Sarra	A45C 13/08 24/3.1	D847,249 S *	4/2019	Baek	D16/330
D677,317 S *	3/2013	Hillegass	D16/341	D848,523 S *	5/2019	Kan	D16/335
D677,345 S *	3/2013	Isted	D21/551	10,709,995 B1 *	7/2020	Smith	A63H 17/38
D681,742 S *	5/2013	Martino	D21/550	D899,510 S *	10/2020	Yan	D16/338
D690,372 S *	9/2013	Fujiwara	D21/550	D899,511 S *	10/2020	Yan	D16/338
8,545,011 B2 *	10/2013	Chow	G02C 11/02 351/52	D900,209 S *	10/2020	Marzano	D16/341
8,549,879 B2 *	10/2013	Mellinger	A44C 25/007 63/23	2006/0205317 A1 *	9/2006	Benassi	A63H 33/042 446/95
D700,250 S *	2/2014	Martino	D21/550	2008/0070472 A1 *	3/2008	Campbell	A63H 17/28 446/430
D700,933 S *	3/2014	Shin	D16/326	2008/0273162 A1 *	11/2008	Porter	G02C 11/02 351/52
D705,341 S *	5/2014	Ho	D16/323	2009/0273754 A1 *	11/2009	Ridgeway	G02C 11/02 351/52
D709,139 S *	7/2014	Martino	D21/563	2010/0291830 A1 *	11/2010	Doherty	A63H 17/262 446/103
8,857,979 B1 *	10/2014	Rothman	G02C 11/02 351/52	2012/0021667 A1 *	1/2012	Thompson	A63H 17/262 446/431
D722,334 S *	2/2015	Ho	D16/335	2014/0051325 A1 *	2/2014	Paukert	A63H 33/003 446/297
D722,639 S *	2/2015	Ho	D16/335	2014/0160421 A1 *	6/2014	Kavana	G02C 11/02 351/43
9,028,291 B2 *	5/2015	Martino	A63H 33/00 446/71	2014/0320796 A1 *	10/2014	Brodkin	G02C 11/02 351/52
D733,212 S *	6/2015	Stables	D16/326	2015/0094153 A1 *	4/2015	Silverglate	A63H 17/002 463/43
D738,426 S *	9/2015	Frith	D16/341	2016/0252750 A1 *	9/2016	Schomann	G02C 11/00 351/121
9,122,081 B2 *	9/2015	Akoubians	G02C 11/02	2019/0060772 A1 *	2/2019	Hamel	A63H 17/008
D750,699 S *	3/2016	Kennedy	D16/335	2019/0121160 A1 *	4/2019	Pfeifer	G02C 5/14
D757,157 S *	5/2016	Huang	D16/330	2019/0265516 A1 *	8/2019	Chou	G02C 5/146
D786,336 S *	5/2017	Dandachli	D16/335				
D788,210 S *	5/2017	Maramotti	D16/330				
D789,441 S *	6/2017	Aquino	D16/341				
D792,500 S *	7/2017	Frith	D16/341				

* cited by examiner

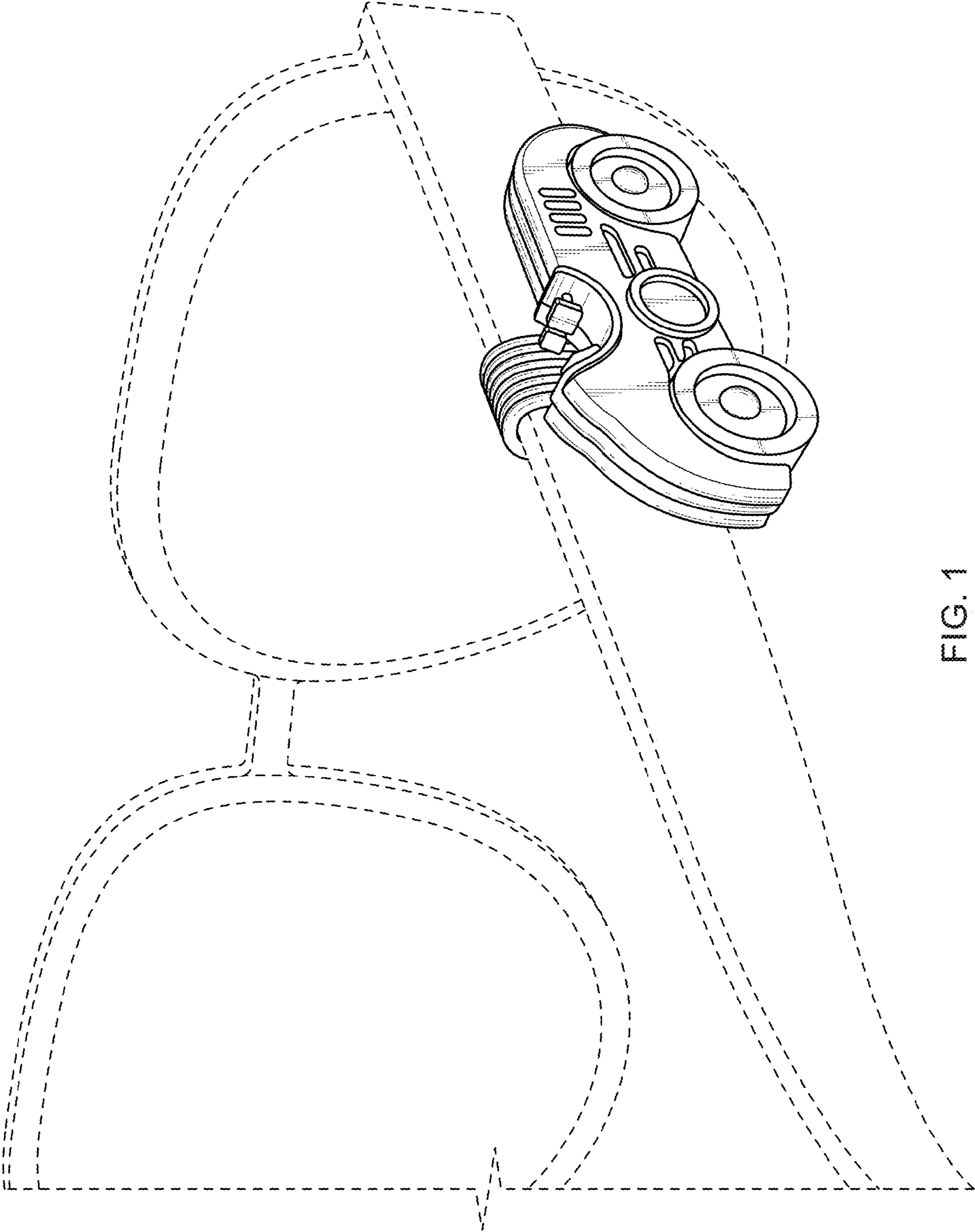


FIG. 1

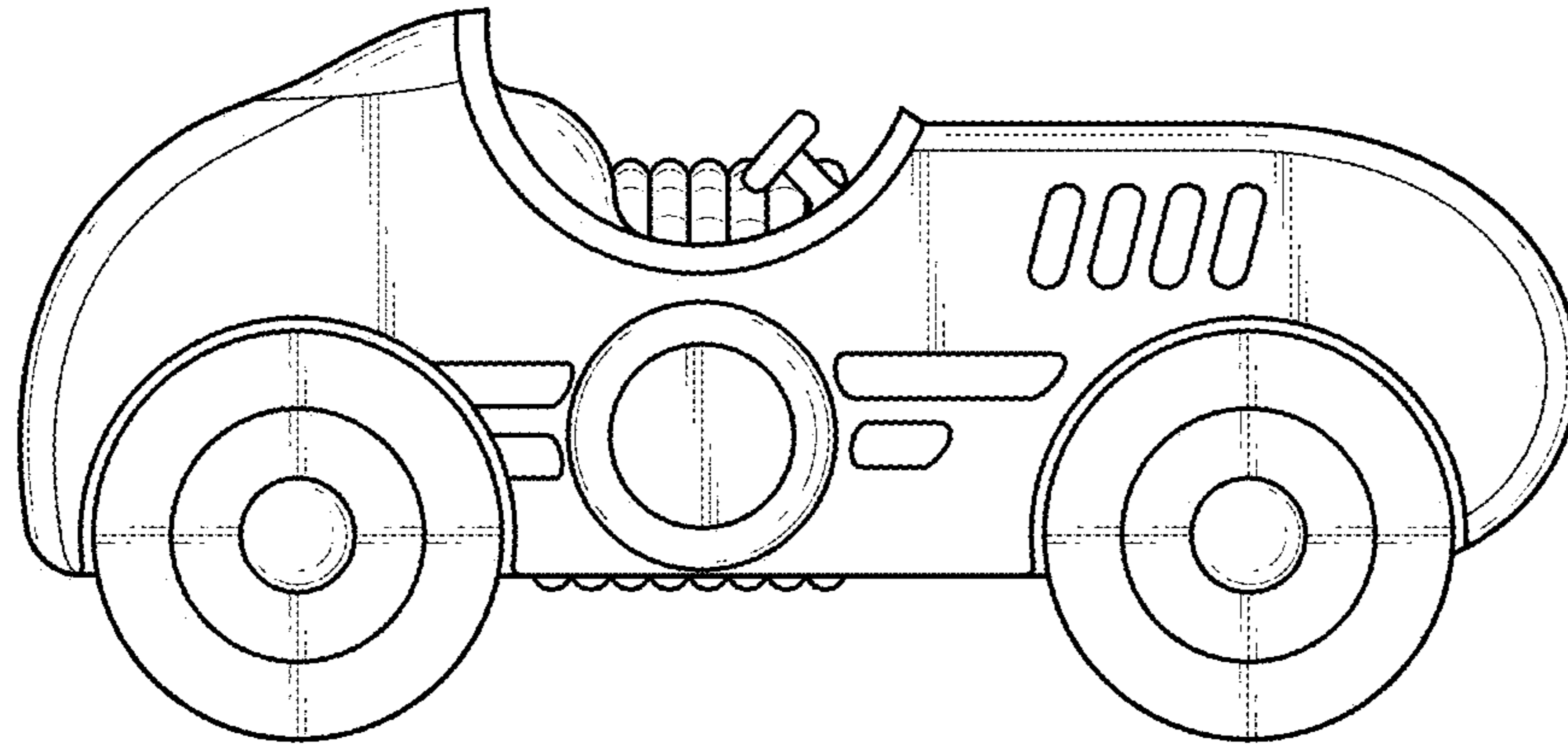


FIG. 2

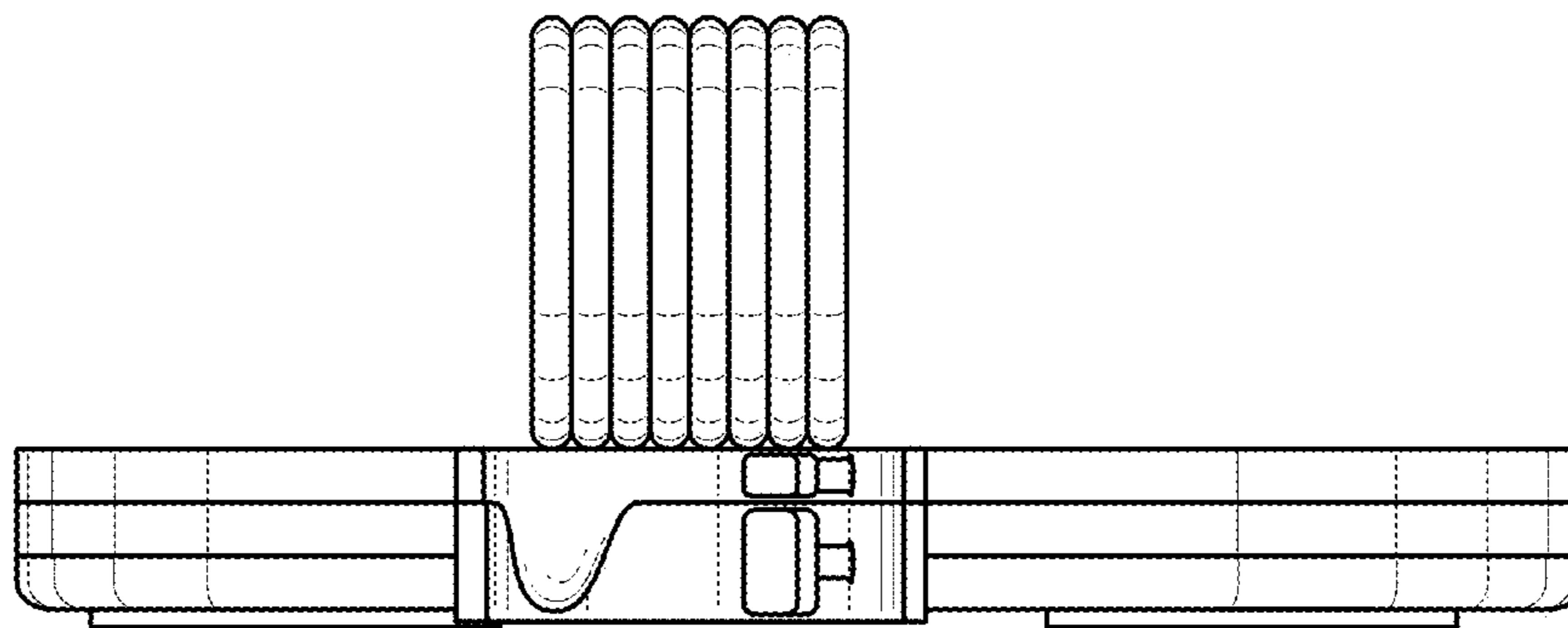


FIG. 3

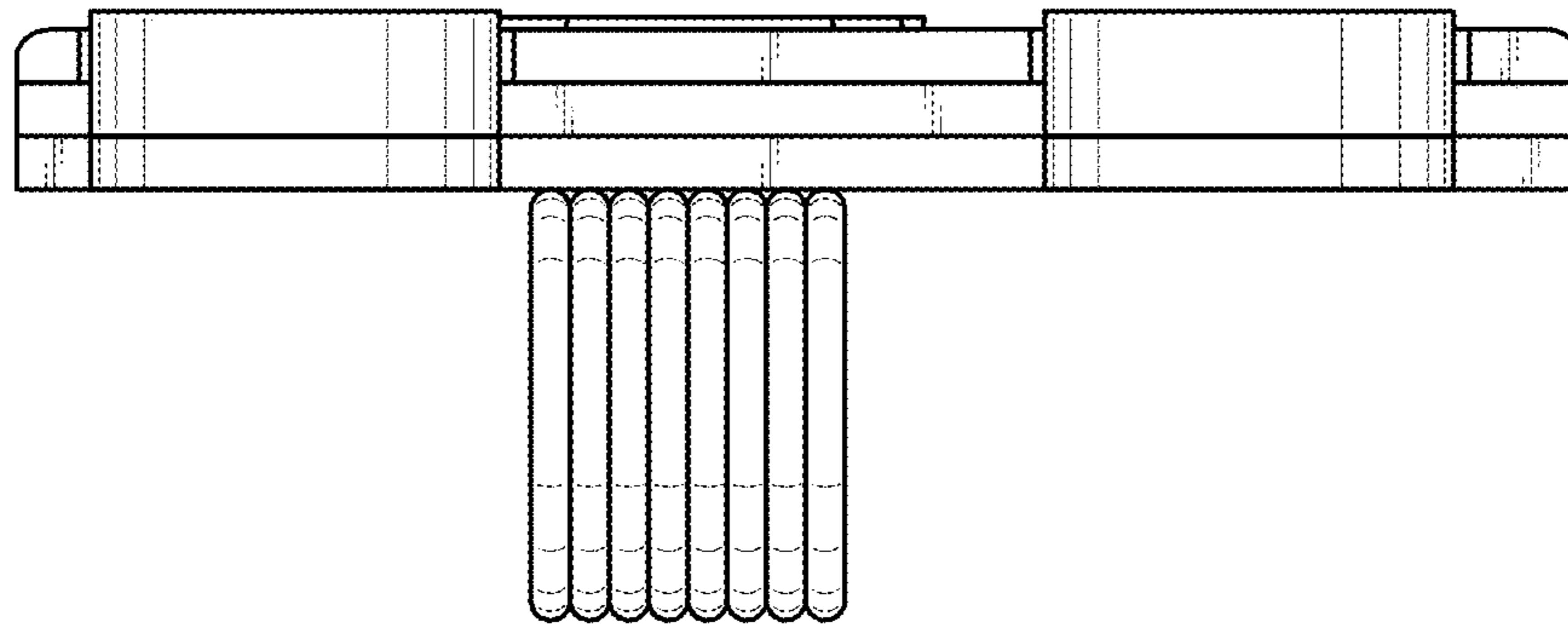


FIG. 4

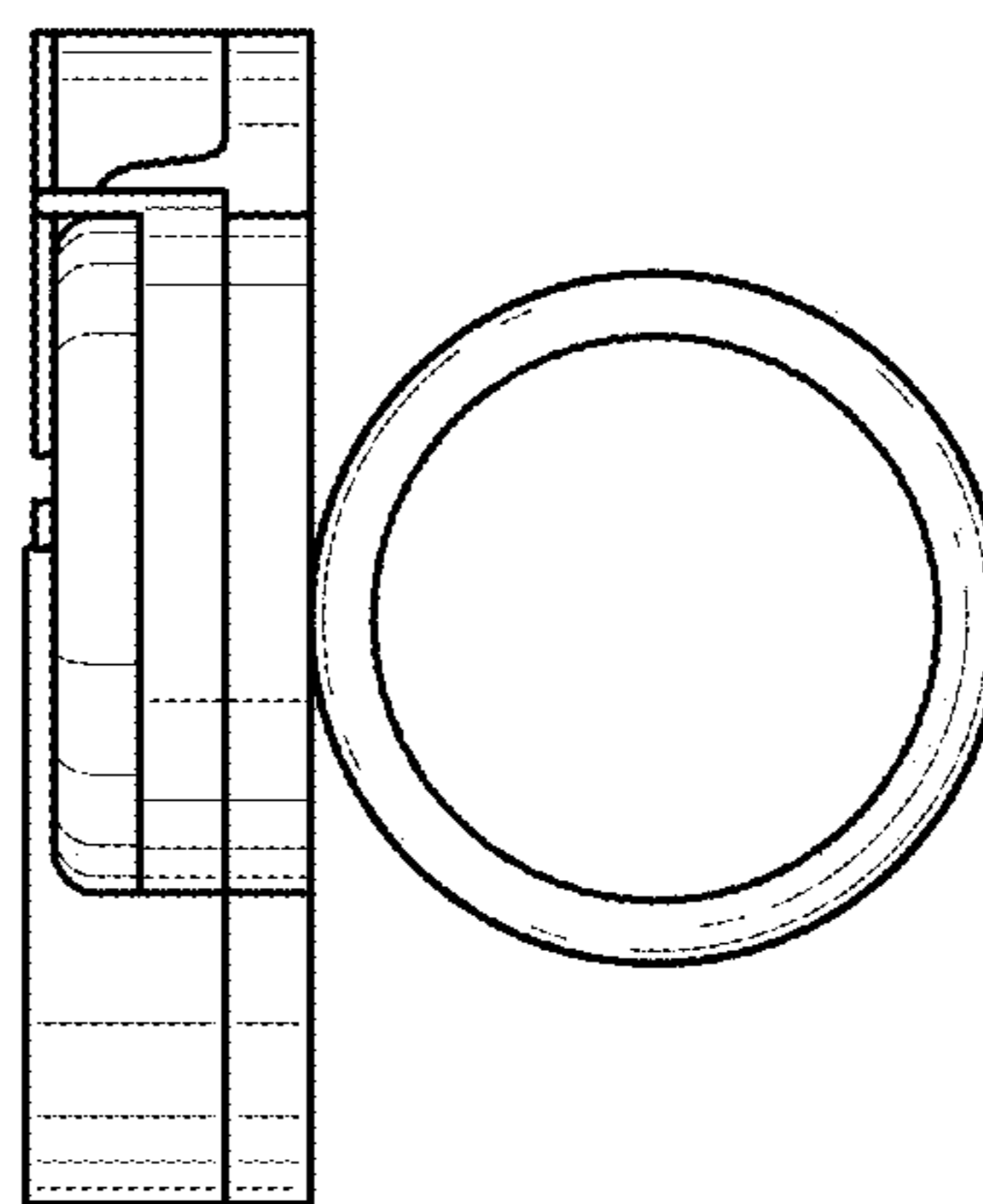


FIG. 5

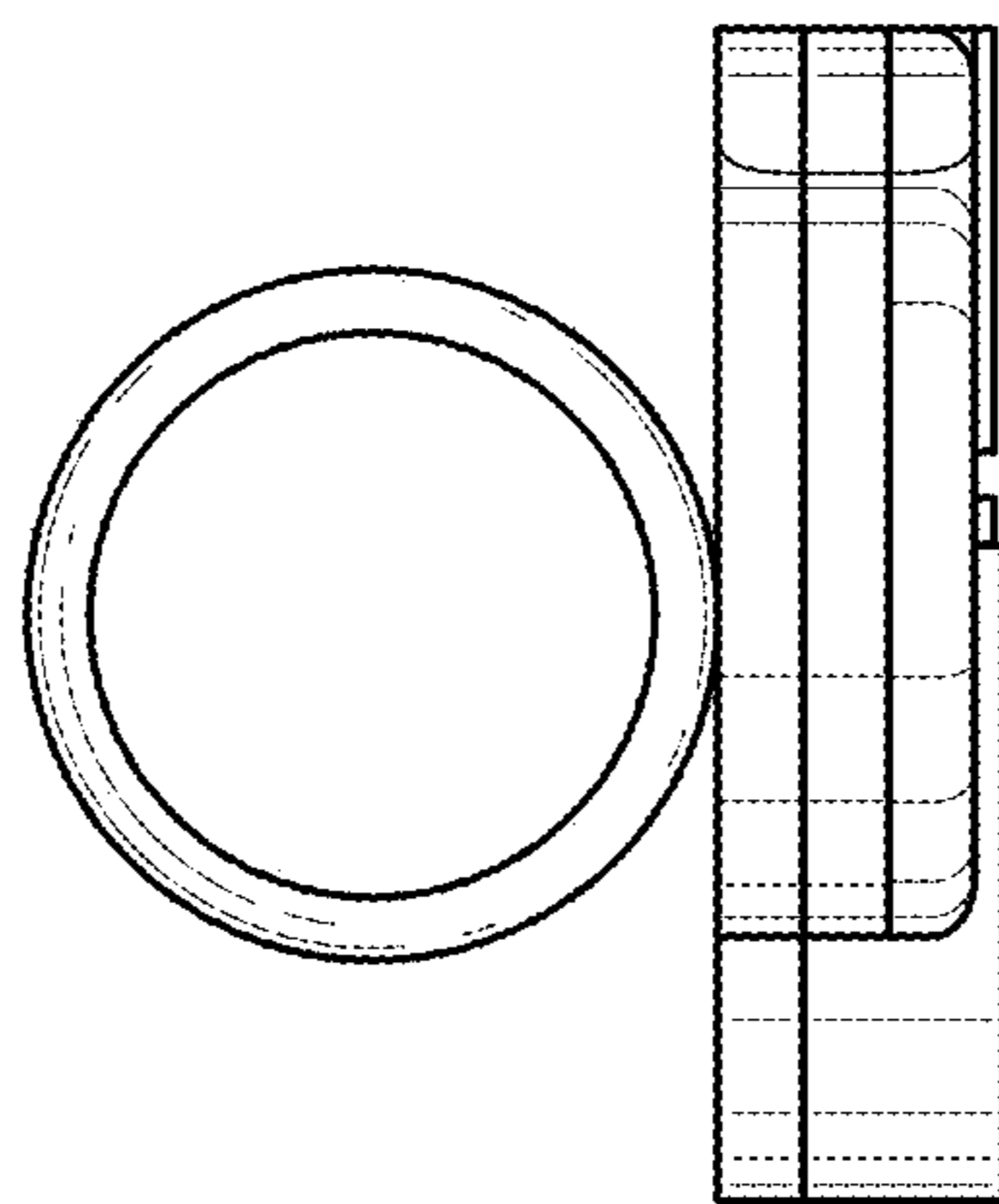


FIG. 6

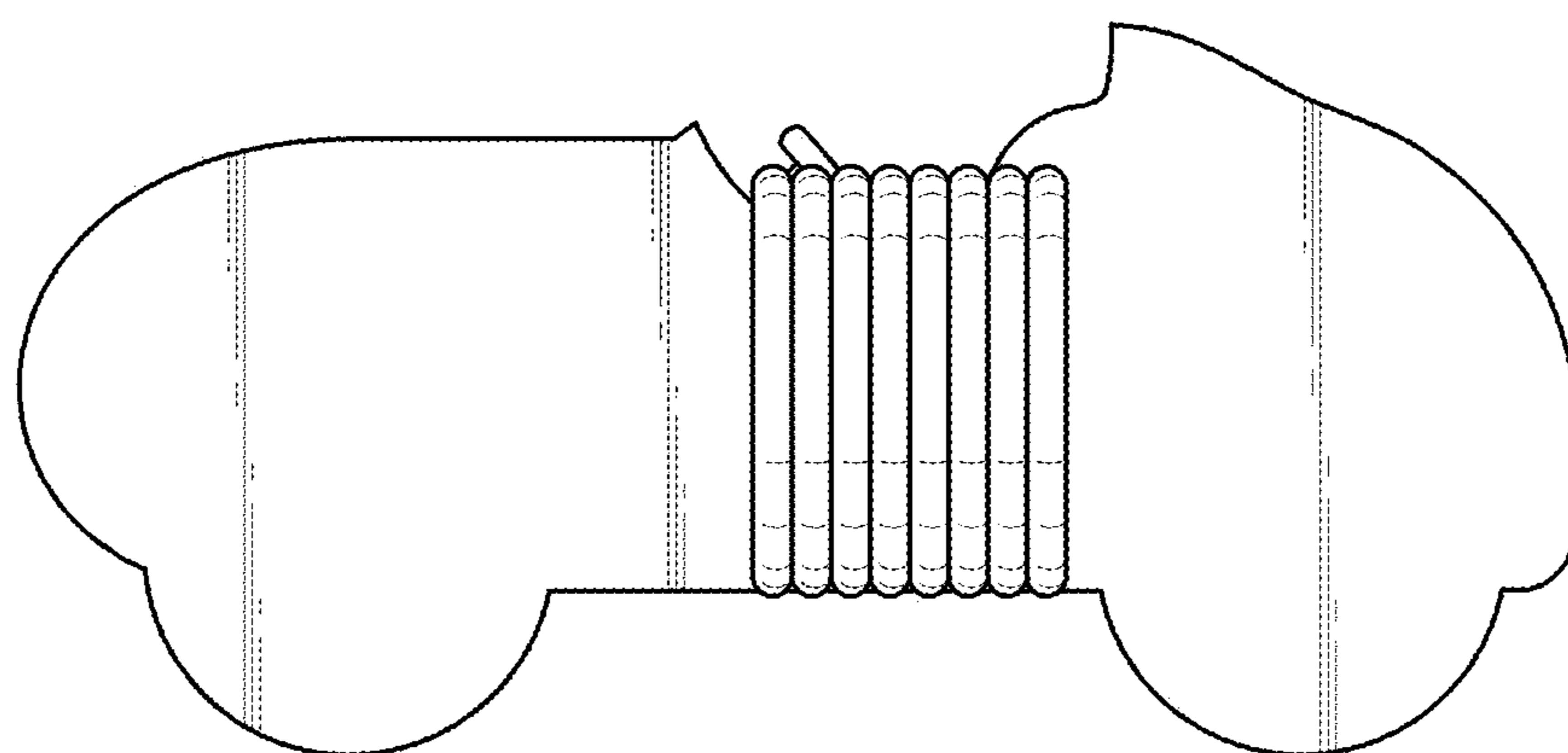


FIG. 7