



US00D912721S

(12) **United States Design Patent** (10) **Patent No.:** **US D912,721 S**
Canales et al. (45) **Date of Patent:** **** Mar. 9, 2021**

(54) **SPORT EYEGLASSES**

CPC G02C 7/02
See application file for complete search history.

(71) Applicants: **Robert Allen Canales**, Austin, TX (US); **Kurt Robert Spenser**, Burbank, CA (US); **Tobin Rohrbach**, Trabuco Canyon, CA (US); **James Donald Oman**, Austin, TX (US); **David S Ginther**, Ladera Ranch, CA (US); **John Brandon Currie**, Orange, CA (US); **Steven Oldham**, Corona, CA (US); **Eric Baptiste Suburu**, Tustin, CA (US); **Mark Niiro**, Van Alstyne, TX (US); **Tet Kawakami**, Austin, TX (US); **James Lareau**, Austin, TX (US)

(56) **References Cited**

U.S. PATENT DOCUMENTS

D210,421 S * 3/1968 Mitchell D16/313
D330,035 S 10/1992 Jannard
D330,903 S 11/1992 Jannard
D342,959 S 1/1994 Jannard

(Continued)

OTHER PUBLICATIONS

CP-1x—Safety Glasses, posted at roka.com, posting date not given, [online], [site visited Dec. 17, 2020]. Available from Internet, URL: <https://www.roka.com/products/cp-1x-full-rim-shield-safety-glasses-protective-eyewear> (Year: 2020).*

(Continued)

Primary Examiner — George D. Kirschbaum

Assistant Examiner — Maria J. Edwards

(74) *Attorney, Agent, or Firm* — Clearpat Services, LLC; Brian D. Burkinshaw

(72) Inventors: **Robert Allen Canales**, Austin, TX (US); **Kurt Robert Spenser**, Burbank, CA (US); **Tobin Rohrbach**, Trabuco Canyon, CA (US); **James Donald Oman**, Austin, TX (US); **David S Ginther**, Ladera Ranch, CA (US); **John Brandon Currie**, Orange, CA (US); **Steven Oldham**, Corona, CA (US); **Eric Baptiste Suburu**, Tustin, CA (US); **Mark Niiro**, Van Alstyne, TX (US); **Tet Kawakami**, Austin, TX (US); **James Lareau**, Austin, TX (US)

(57) **CLAIM**

The ornamental design for sport eyeglasses, as shown and described.

(73) Assignee: **ROKA SPORTS INC.**, Austin, TX (US)

DESCRIPTION

(**) Term: **15 Years**

FIG. 1 is a perspective view, showing our new design; FIG. 2 is a front elevation view of the sport eyeglasses; FIG. 3 is a rear elevation view of the sport eyeglasses; FIG. 4 is a right side elevation view of the sport eyeglasses; FIG. 5 is a left side elevation view of the sport eyeglasses; FIG. 6 is a top plan view of the sport eyeglasses; FIG. 7 is a bottom plan view of the sport eyeglasses; and, FIG. 8 is a detail bottom perspective of the nose bridge of the sport eyeglasses, as shown in FIGS. 3, 6 and 7.

(21) Appl. No.: **29/699,270**

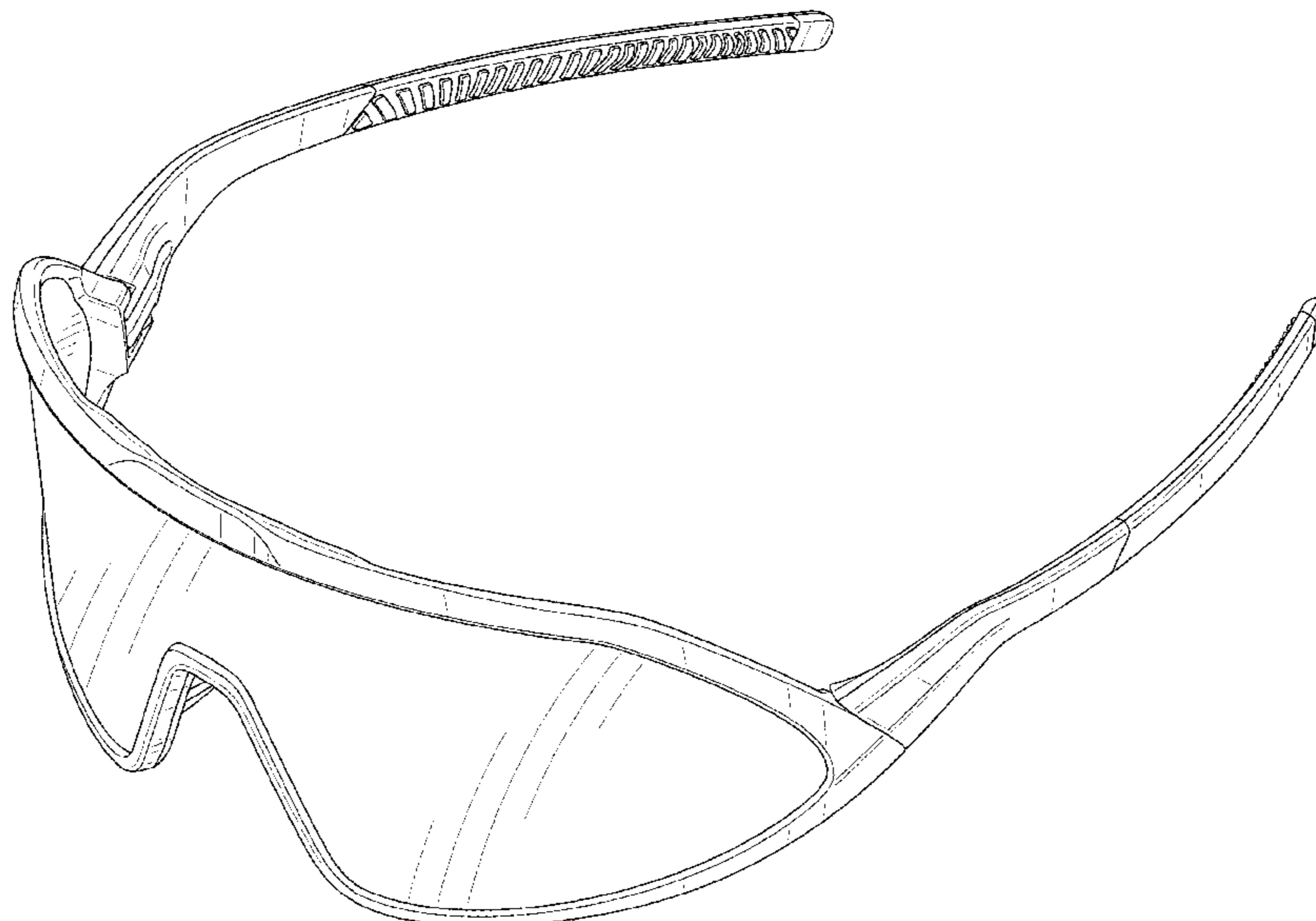
(22) Filed: **Jul. 24, 2019**

(51) **LOC (13) Cl.** **16-06**

(52) **U.S. Cl.**
USPC **D16/313**

(58) **Field of Classification Search**
USPC D16/300, 313, 325

1 Claim, 7 Drawing Sheets



(56)

References Cited

U.S. PATENT DOCUMENTS

D344,742 S 3/1994 Jannard
 D347,647 S * 6/1994 Predebon D16/313
 D399,519 S 10/1998 Yee
 D416,276 S 11/1999 Chiu
 D540,368 S 4/2007 Yang
 D559,888 S 1/2008 Yang
 7,347,545 B1 3/2008 Jannard et al.
 D569,412 S 5/2008 Jannard et al.
 D583,852 S 12/2008 Chen
 D591,329 S 4/2009 Wang
 D614,226 S 4/2010 Fulton et al.
 D615,578 S 5/2010 Pulito et al.
 D637,643 S 5/2011 Lebel
 D641,391 S 7/2011 Sheldon
 D652,858 S 1/2012 Lamontagne
 D659,180 S 5/2012 Moritz
 D659,746 S 5/2012 Chen
 D683,784 S 6/2013 Miera
 D694,312 S 11/2013 Mage
 D727,399 S 4/2015 Markovitz et al.
 D775,685 S 1/2017 Rouayroux et al.
 D783,080 S 4/2017 Garfias
 D831,732 S * 10/2018 Miera D16/313
 D837,871 S * 1/2019 Canales D16/314
 D849,823 S * 5/2019 Canales D16/313
 D849,825 S * 5/2019 Canales D16/314

D875,818 S * 2/2020 Kim D16/313
 D881,264 S * 4/2020 Jamin D16/325
 D886,893 S * 6/2020 Liang D16/325
 D889,531 S * 7/2020 Canales D16/330
 D890,837 S * 7/2020 Michaud D16/313
 D901,580 S * 11/2020 Zhang D16/313
 2017/0100287 A1 4/2017 Calilung et al.
 2018/0008467 A1 1/2018 Cater et al.
 2019/0107732 A1* 4/2019 Canales G02C 1/02

OTHER PUBLICATIONS

Liberty Sport Velocity Glasses, posted at eyeglasses.com, posting date not given, [online], [site visited Dec. 17, 2020]. Available from Internet, URL: <https://www.eyeglasses.com/eyeglasses/liberty-sport-velocity.html> (Year: 2020).*

Matador Sports Sunglasses, posted at roka.com, posting date not given, [online], [site visited Dec. 17, 2020]. Available from Internet, URL: <https://www.roka.com/collections/apex-sunglasses/products/matador-sports-sunglasses> (Year: 2020).*

Prada Active Sport Sunglasses, posted at amazon.com, posting date Feb. 18, 2019, [online], [site visited Dec. 17, 2020]. Available from Internet, URL: <https://www.amazon.com/Prada-Linea-Rossa-Sports-Propionate/dp/B07NVRM75T> (Year: 2019).*

U.S. Appl. No. 29/616,066 Ex Parte Quayle dated Jul. 11, 2018.

* cited by examiner

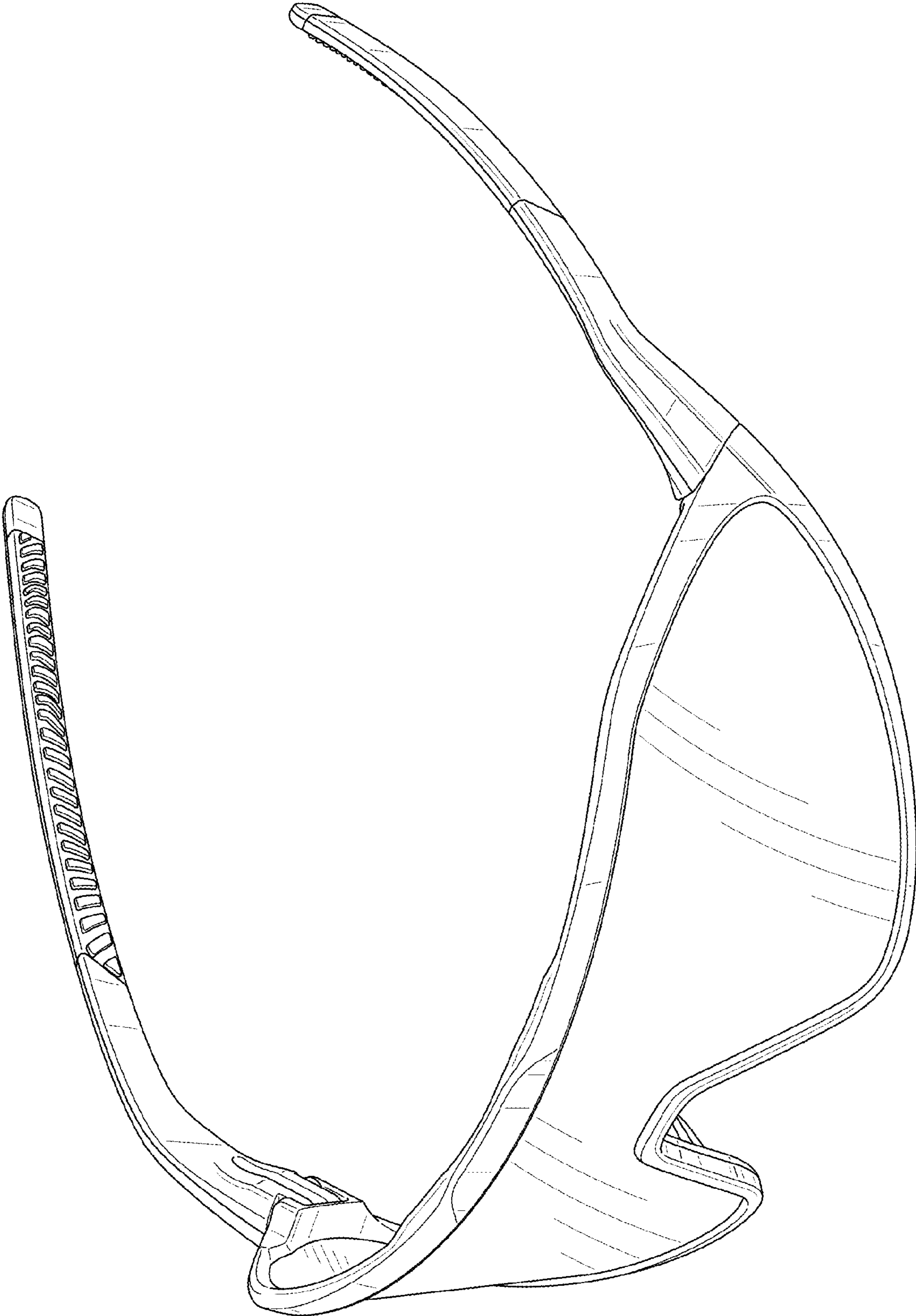


FIG. 1

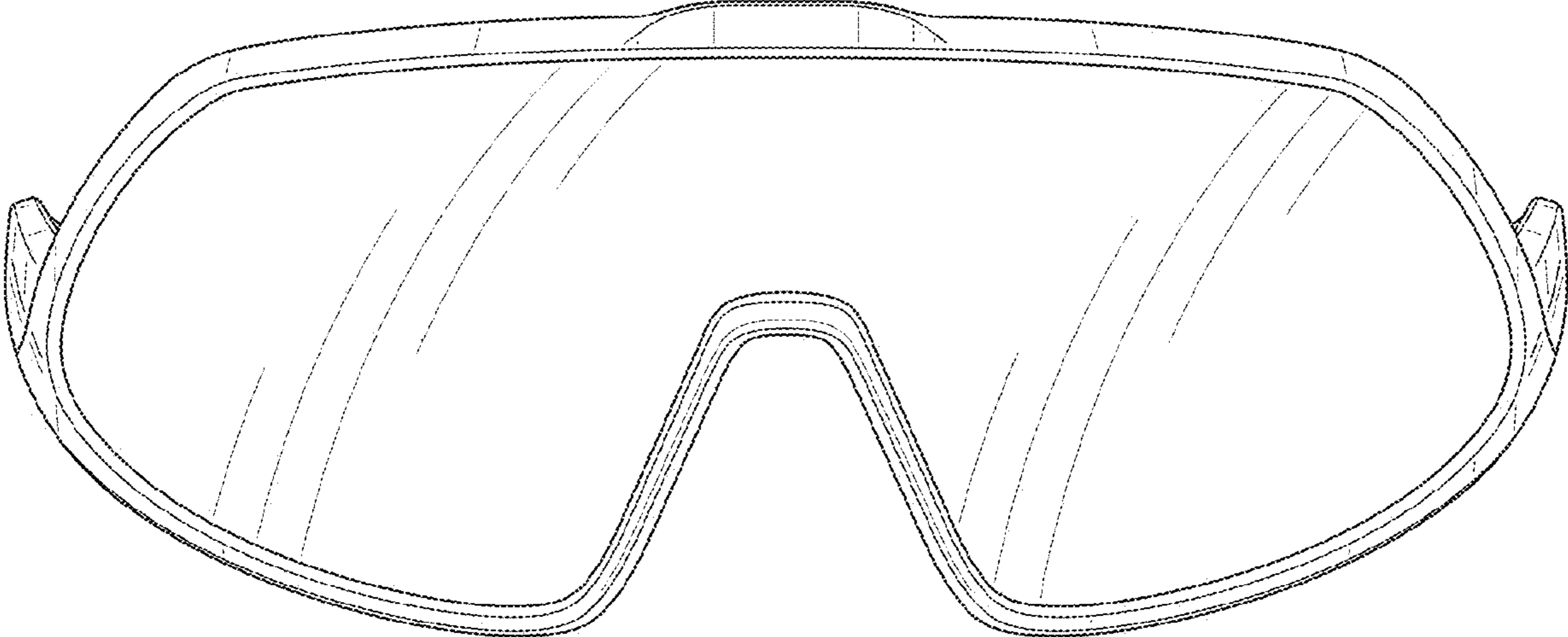


FIG. 2

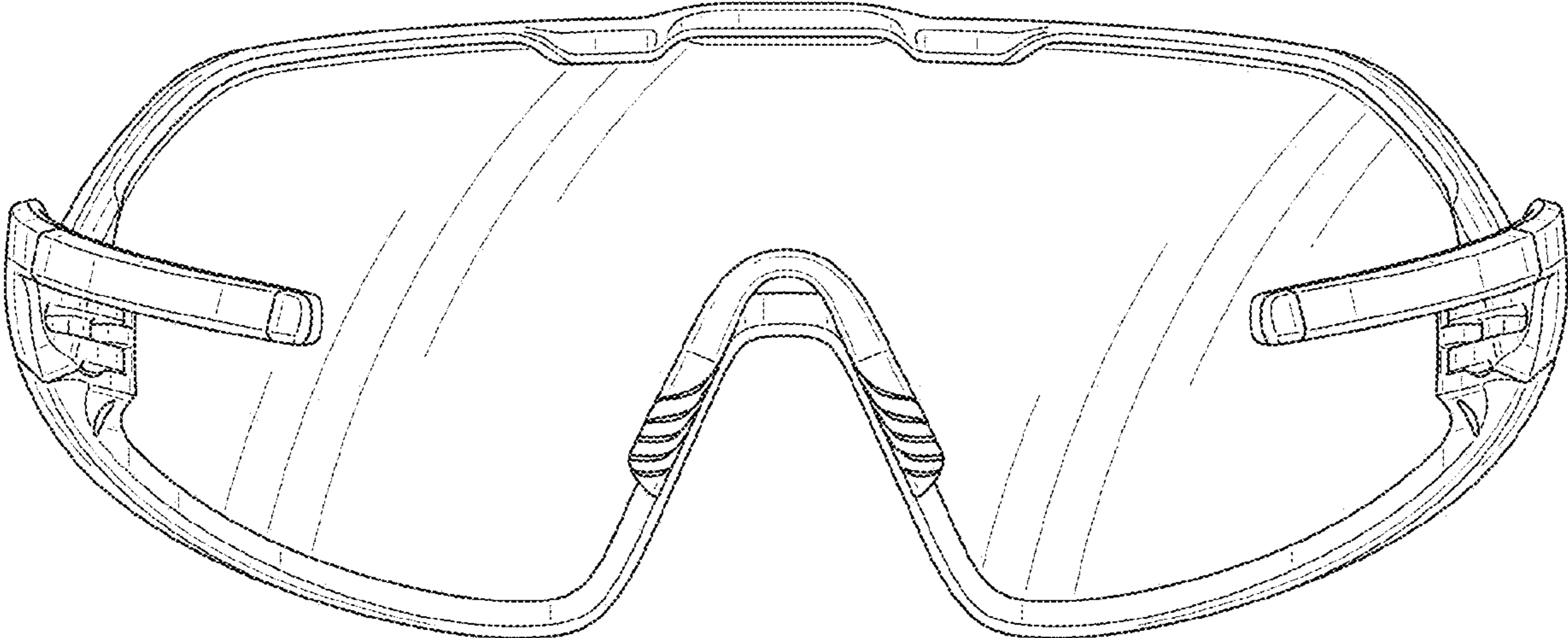


FIG. 3

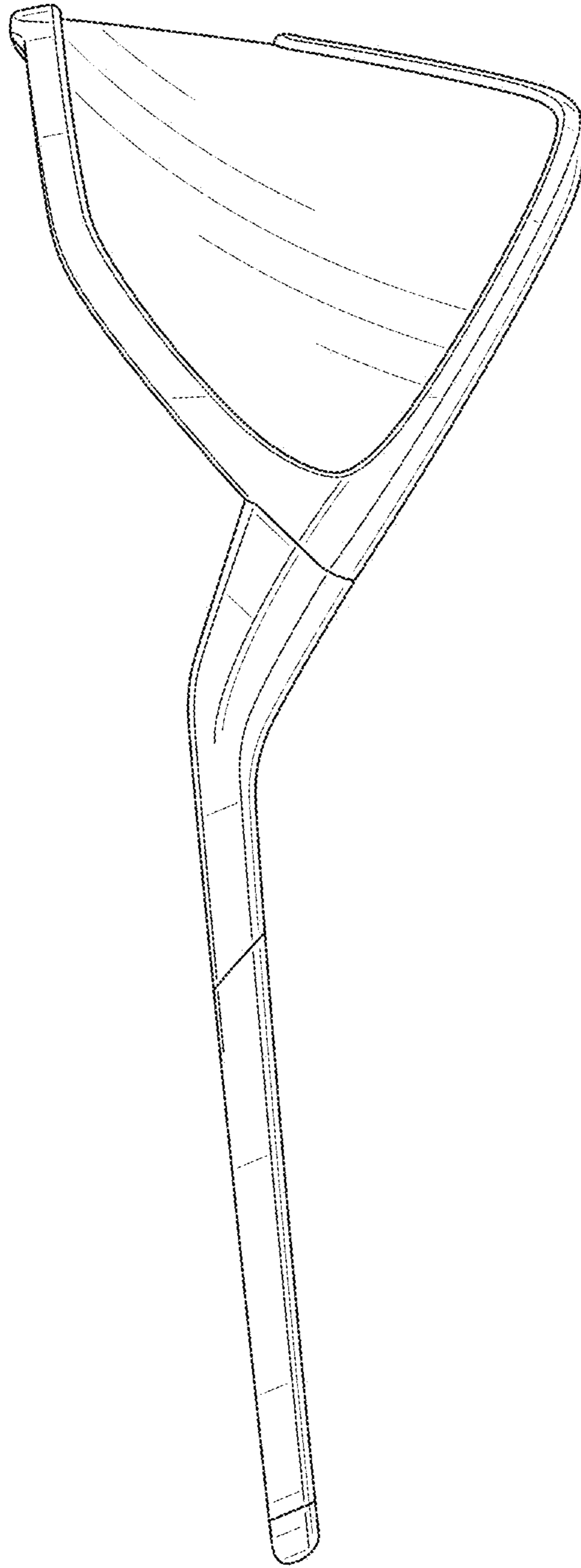


FIG. 4

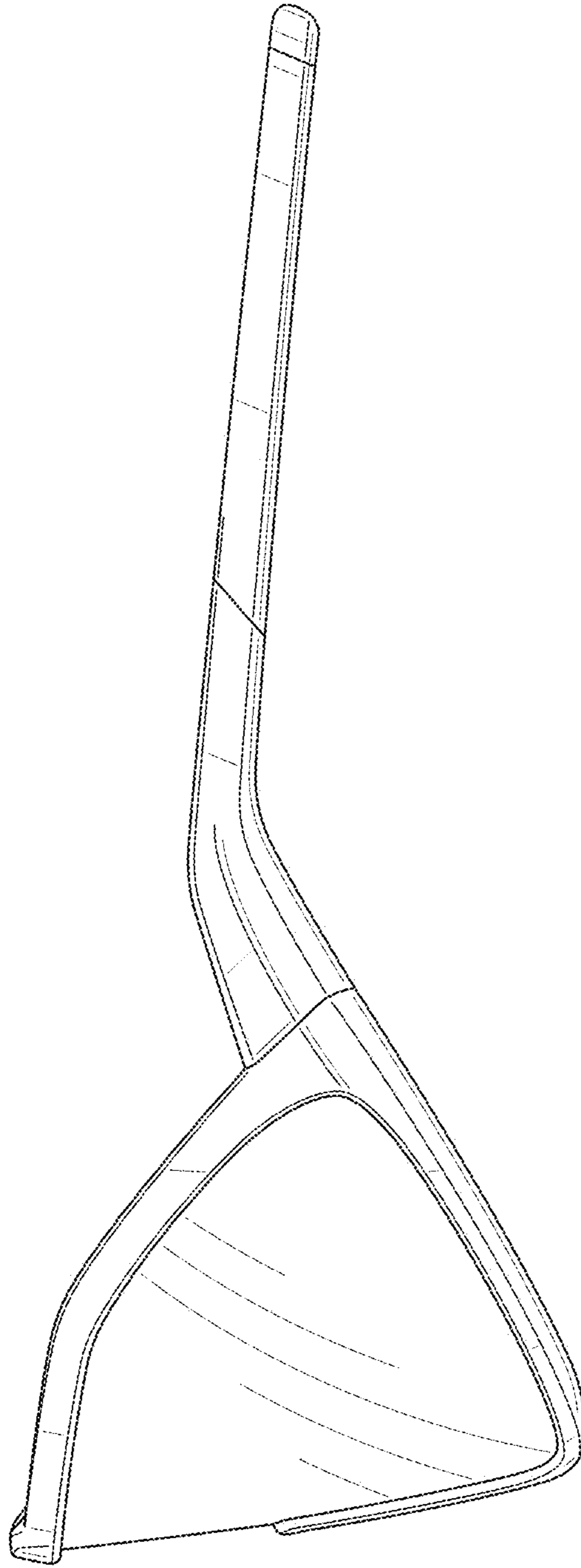


FIG. 5

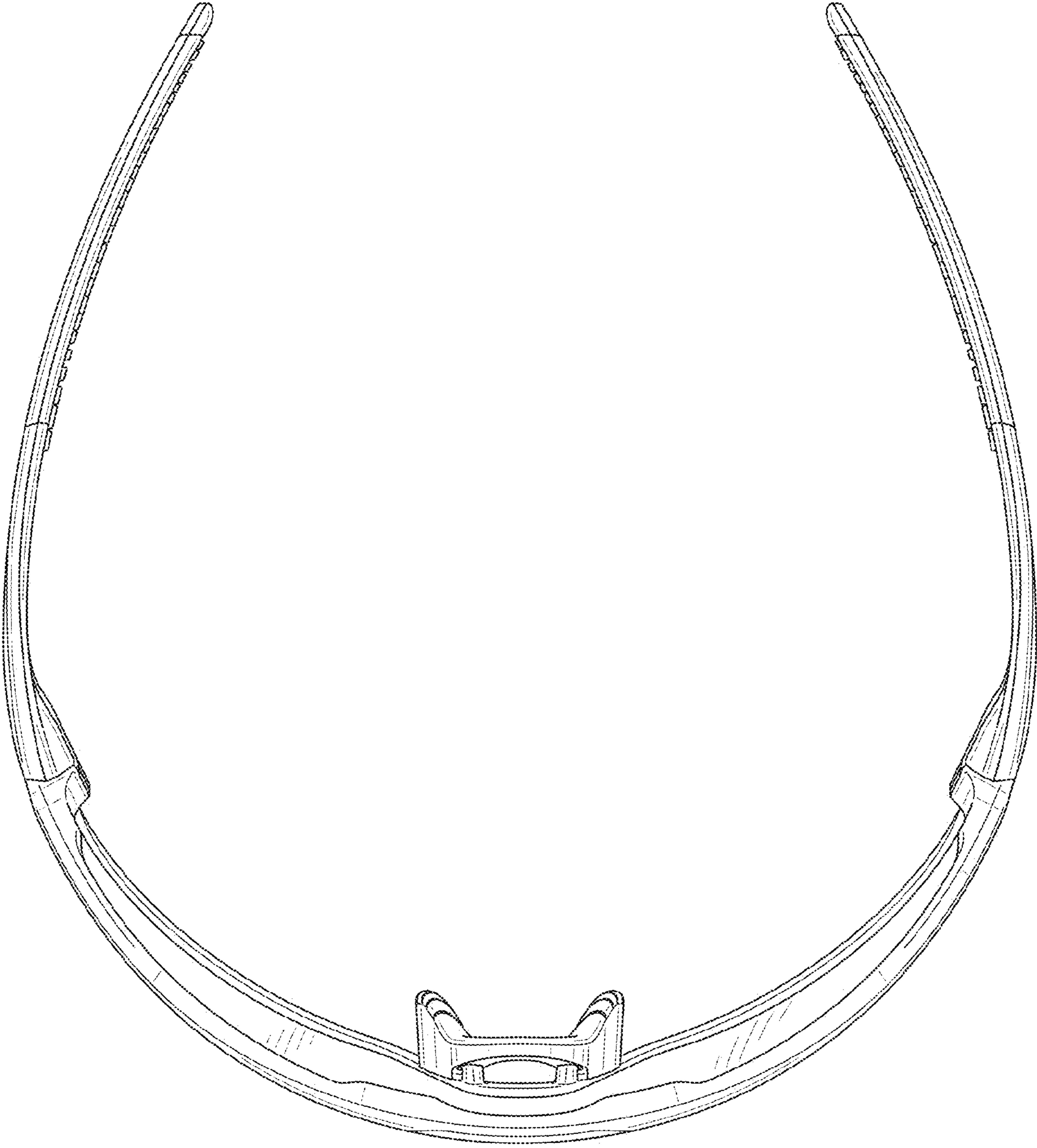


FIG. 6

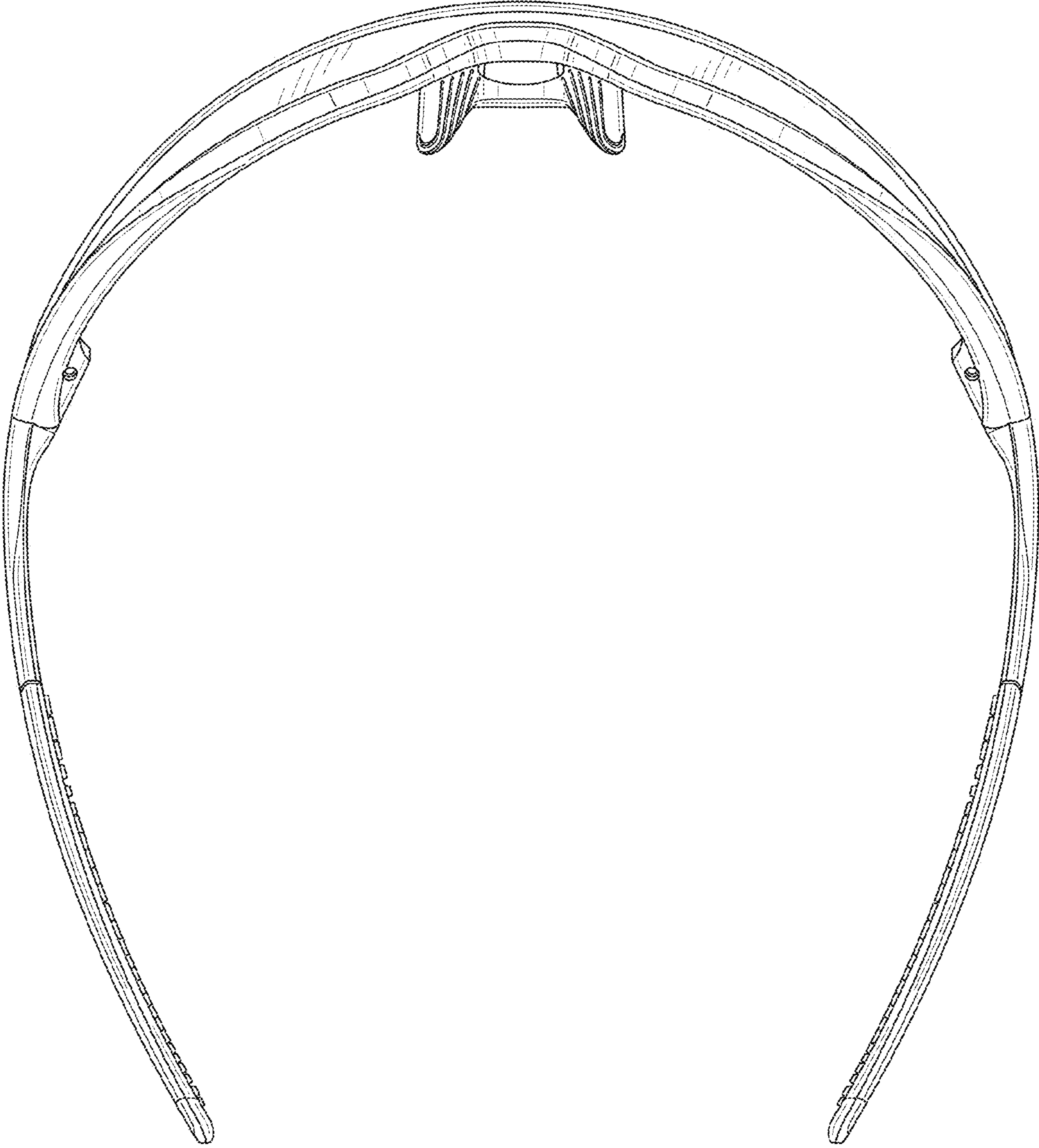


FIG. 7

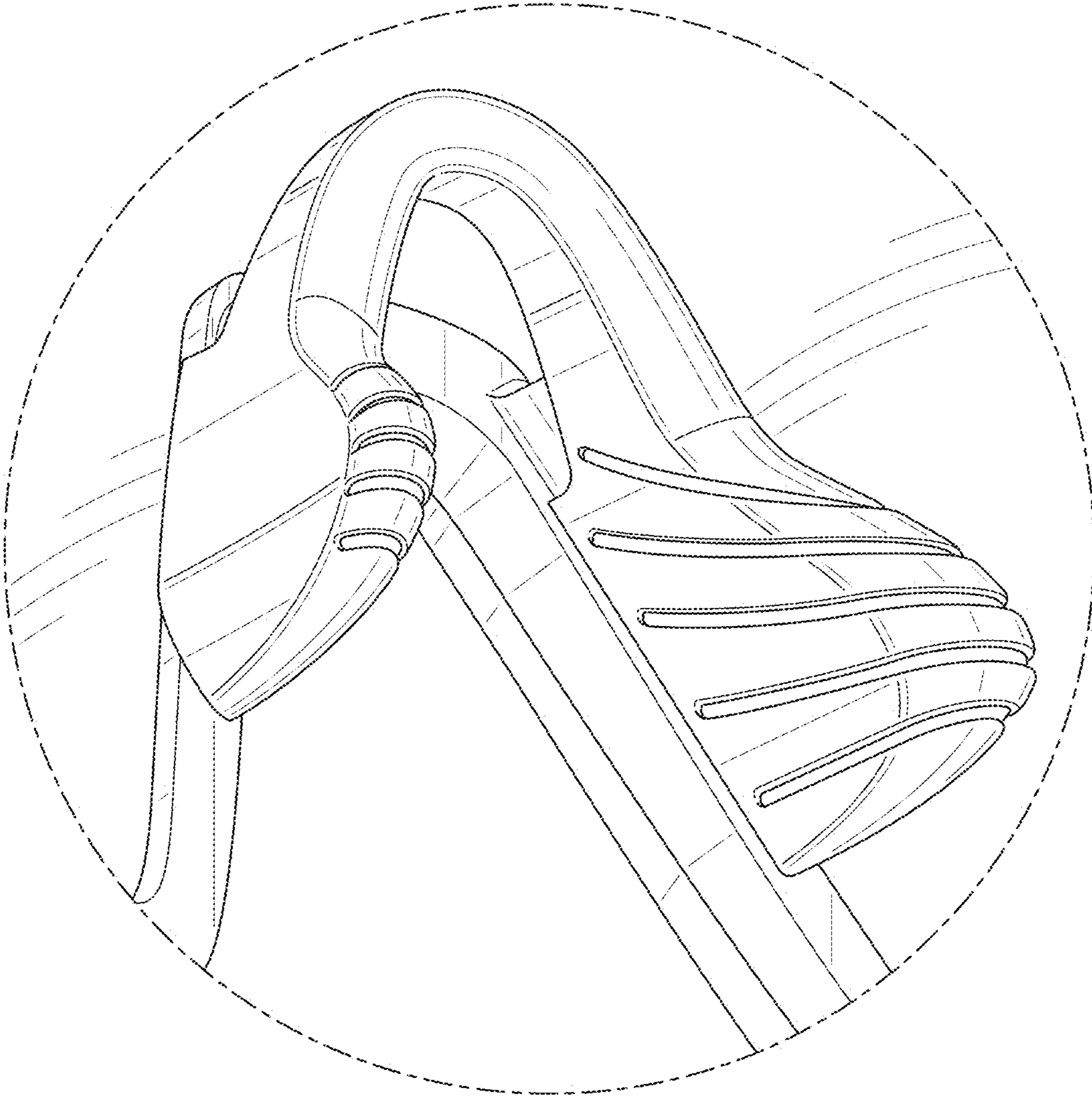


FIG. 8