



US00D912719S

(12) **United States Design Patent**
Wu

(10) **Patent No.:** **US D912,719 S**
(45) **Date of Patent:** **** Mar. 9, 2021**

(54) **UPPER HANDLE FOR PHOTOGRAPHY DEVICE**

D829,265 S * 9/2018 Kiernan-Lewis D16/243
D879,590 S * 3/2020 Jaramillo D8/354
D889,528 S * 7/2020 Kowalski D16/242

(71) Applicant: **Shenzhen Leqi Network Technology Co., Ltd**, Shenzhen (CN)

OTHER PUBLICATIONS

(72) Inventor: **Yating Wu**, Shenzhen (CN)

UURig R005 Aluminum Universal Top Handle with Cold Shoe 1365 B&H. [online] Published on Jan. 5, 2020. Retrieved Jul. 30, 2020 from URL: https://www.bhphotovideo.com/c/product/1483011-REG/uurig_1365_aluminum_dslr_camera_universal.html.
SmallRig Arri Locating Handle 2165—SmallRig. [online] Published on Jan. 24, 2019. Retrieved Jul. 30, 2020 from URL: <https://www.smallrig.com/smallrig-arri-locating-handle-2165.html>.

(73) Assignee: **Shenzhen Leqi Network Technology Co., LTD**, Shenzhen (CN)

(**) Term: **15 Years**

(21) Appl. No.: **29/686,126**

* cited by examiner

(22) Filed: **Apr. 2, 2019**

Primary Examiner — Vy N Koenig

(51) **LOC (13) Cl.** **16-05**

(74) *Attorney, Agent, or Firm* — Andrew C. Cheng

(52) **U.S. Cl.**

USPC **D16/243**

(58) **Field of Classification Search**

USPC D16/219, 237–250; D14/229, 238, 251, D14/253, 447, 451, 457; D8/354, 355, D8/363, 373, 382–383, 394–396

CPC A45F 2200/0508–0533; A45F 5/00; A45F 5/10; F16M 11/06–10; F16M 11/14; G02B 7/00–002; G03B 17/56; G03B 17/561–566; H04N 5/2253–2254

See application file for complete search history.

(57) **CLAIM**

The ornamental design for an upper handle for photography device, as shown and described.

DESCRIPTION

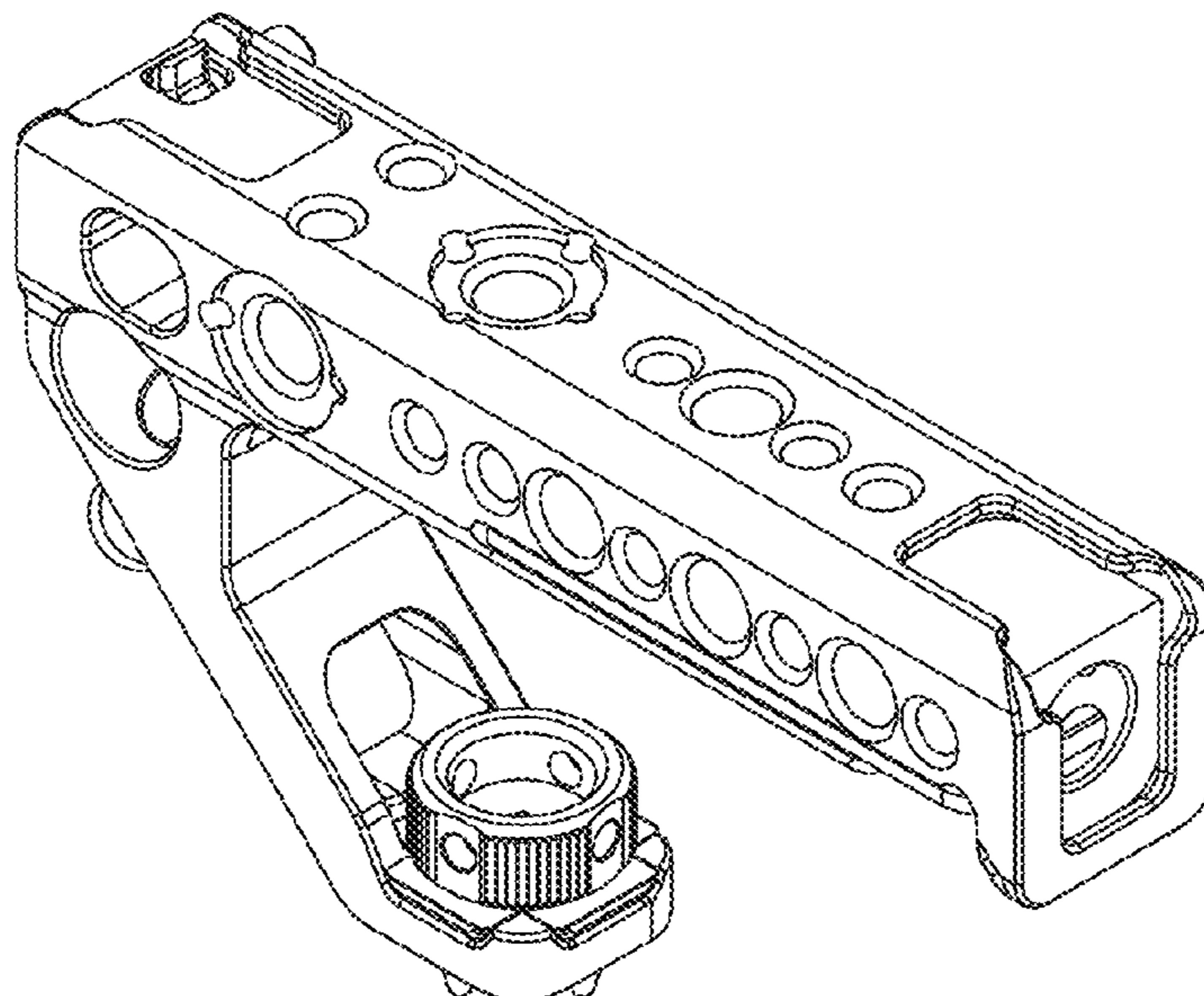
FIG. 1 is a front view of an upper handle for connecting to a photography device according to the present design; FIG. 2 is a rear view of the upper handle for photography device of FIG. 1; FIG. 3 is a top view thereof; FIG. 4 is a bottom view thereof; FIG. 5 is a right side view thereof; FIG. 6 is a left side view thereof; and, FIG. 7 is a perspective view of the upper handle for photography device of FIG. 1. The broken lines shown represent portions of the upper handle for photography device that form no part of the claimed design.

(56) **References Cited**

U.S. PATENT DOCUMENTS

D282,712 S * 2/1986 Rademacher D8/14
D293,203 S * 12/1987 Hertensteiner 248/68.1
4,727,390 A * 2/1988 Brown F16M 13/04
396/420
D440,147 S * 4/2001 Rimback D8/363
D555,459 S * 11/2007 Goodwin, III D8/363
D630,239 S * 1/2011 Huguley D16/243
D635,447 S * 4/2011 Henry D8/356
9,066,421 B1 * 6/2015 Martin H05K 5/0217
D808,576 S * 1/2018 Clarke D26/138

1 Claim, 4 Drawing Sheets



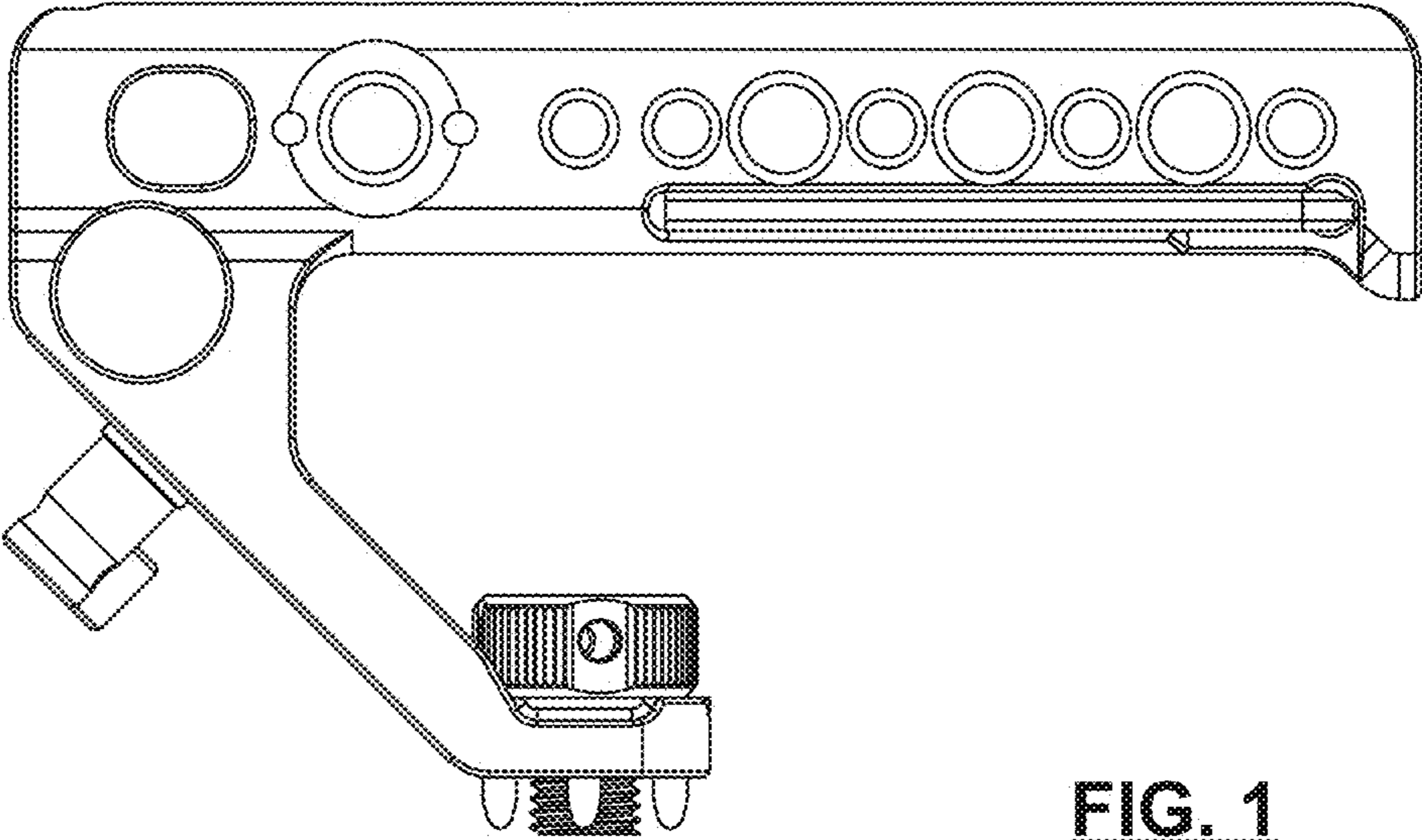


FIG. 1

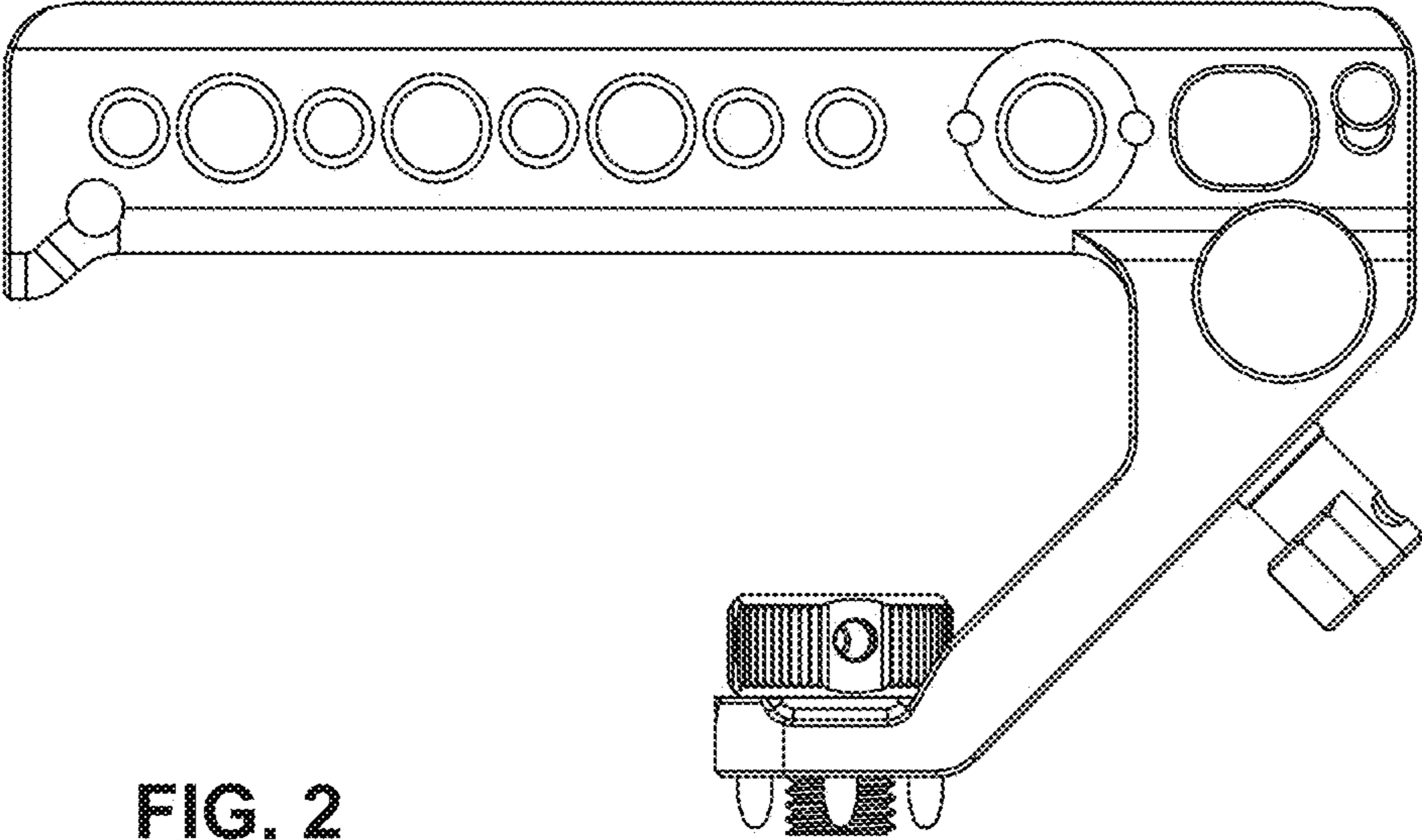


FIG. 2

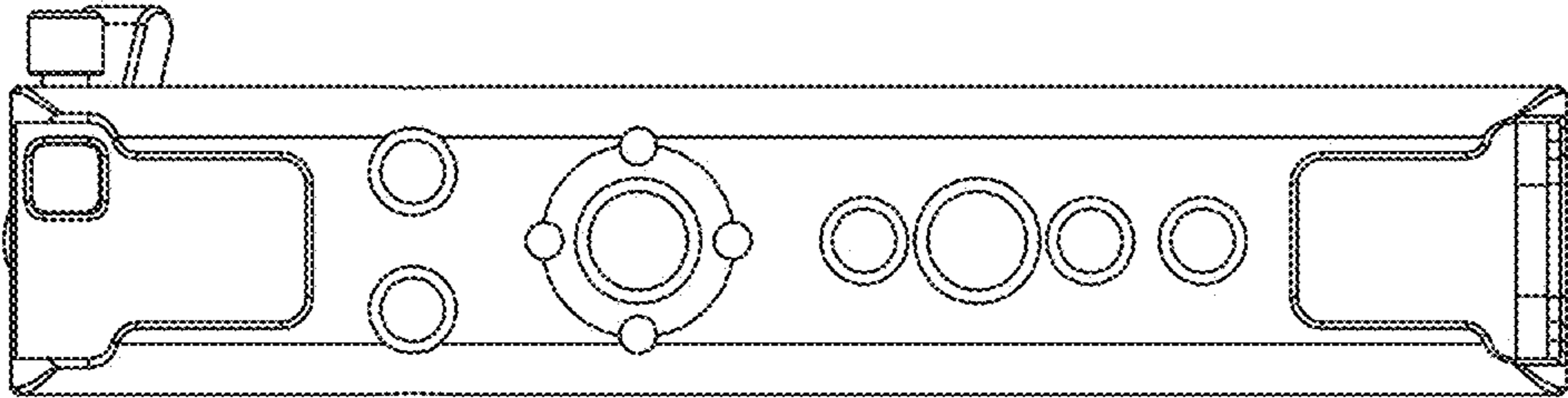


FIG. 3

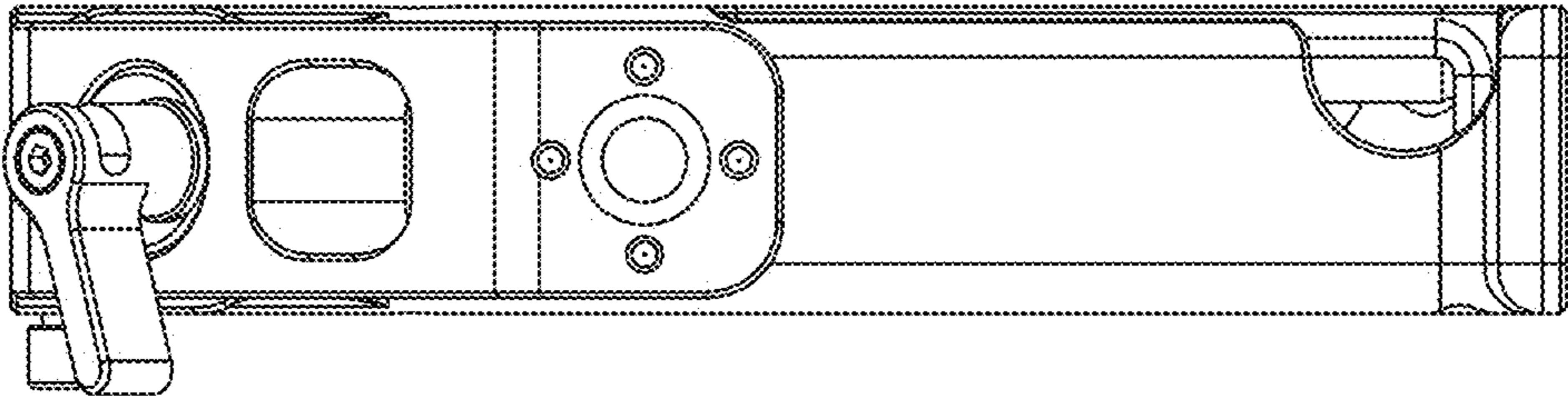


FIG. 4

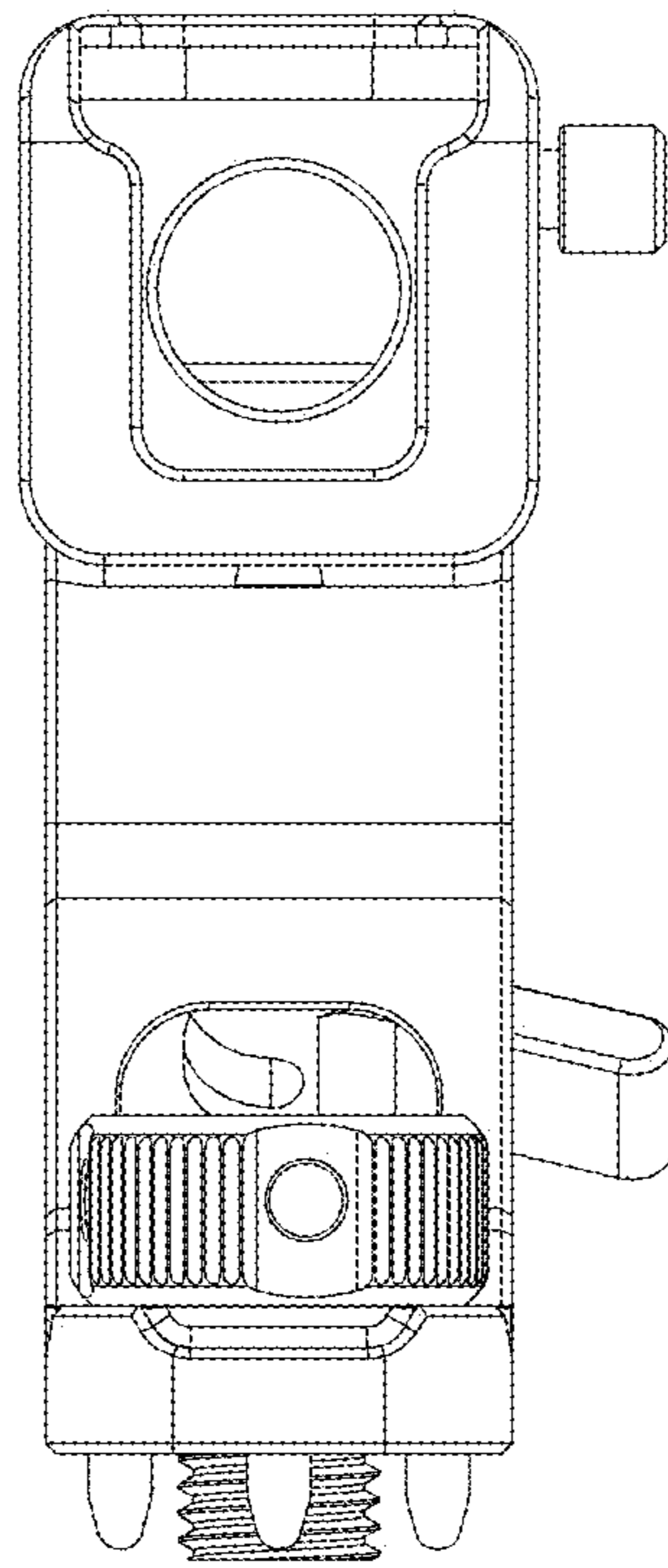


FIG. 5

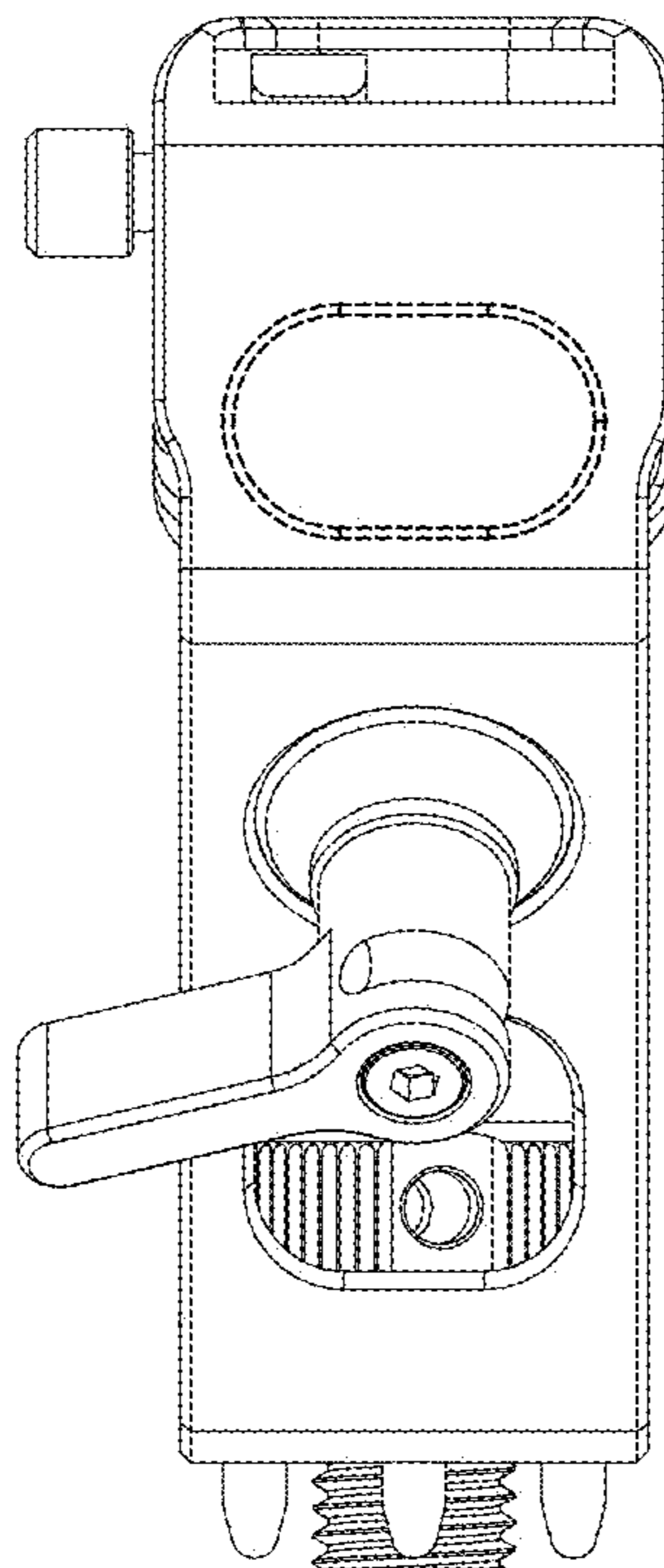


FIG. 6

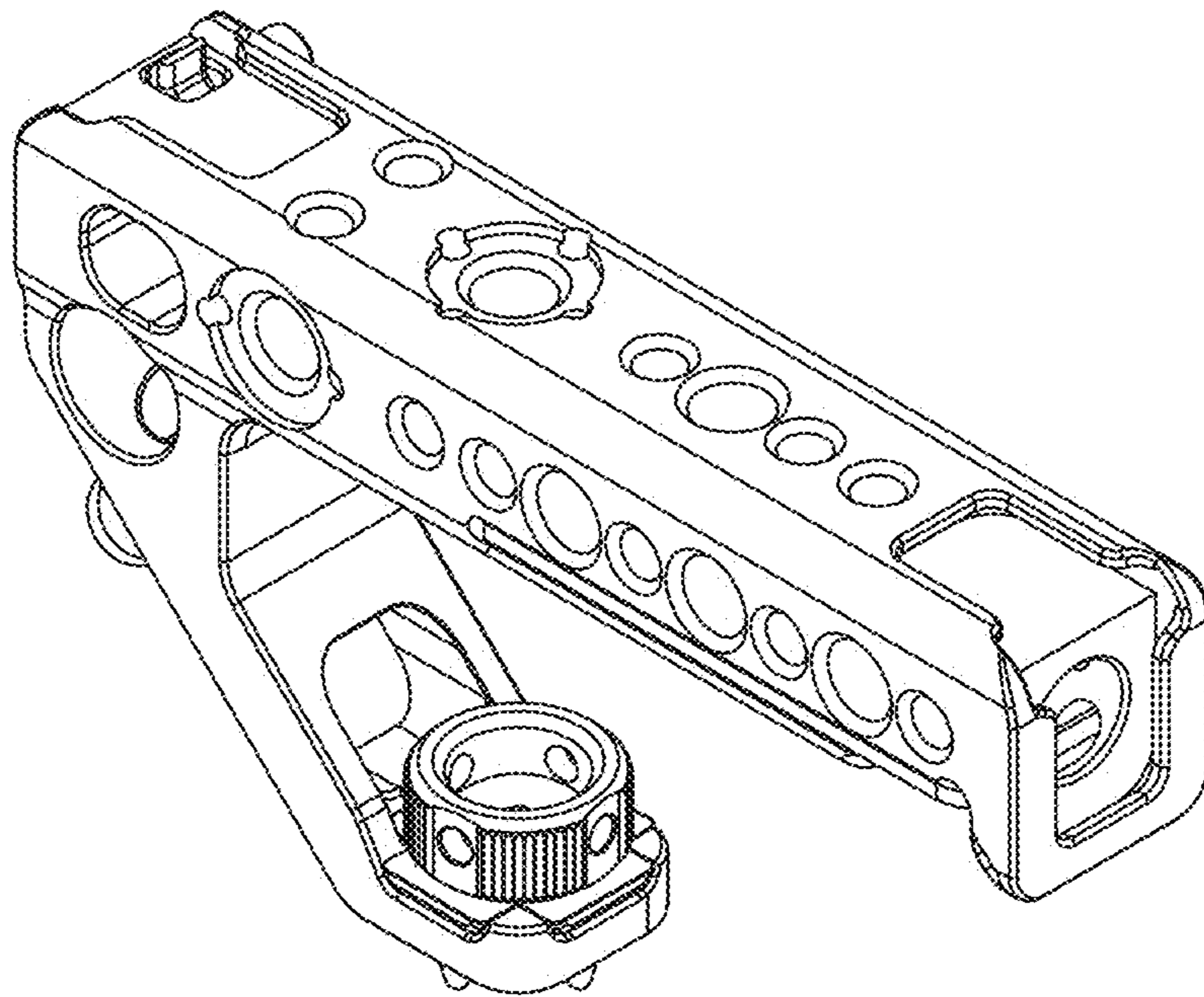


FIG. 7