



US00D912718S

(12) **United States Design Patent** (10) **Patent No.:** **US D912,718 S**  
**Jobetto** (45) **Date of Patent:** **\*\* Mar. 9, 2021**

(54) **CONTROLLER FOR A SURVEILLANCE CAMERA SYSTEM**

(71) Applicant: **PANASONIC I-PRO SENSING SOLUTIONS CO., LTD.**, Fukuoka (JP)

(72) Inventor: **Takeshi Jobetto**, Fukuoka (JP)

(73) Assignee: **PANASONIC I-PRO SENSING SOLUTIONS CO., LTD.**, Tokyo (JP)

(\*\*) Term: **15 Years**

(21) Appl. No.: **29/715,609**

(22) Filed: **Dec. 3, 2019**

(30) **Foreign Application Priority Data**

Jun. 4, 2019 (JP) ..... 2019-012230

(51) **LOC (13) Cl.** ..... **16-05**

(52) **U.S. Cl.**  
USPC ..... **D16/237**; D14/388

(58) **Field of Classification Search**  
USPC ..... D16/219, 237-245; D10/46, 61, 65;  
D14/218, 224, 229, 238, 251, 253, 447,  
D14/451, 457, 388, 396, 412-415  
CPC ..... A45F 2200/0508-0533; A45F 5/00; A45F  
5/10; F16M 11/06-10; F16M 11/14;  
G02B 7/00-002; G03B 17/56; G03B  
17/561-566; H04N 5/2253-2254  
See application file for complete search history.

(56) **References Cited**

**U.S. PATENT DOCUMENTS**

D196,652 S \* 10/1963 Beals ..... D14/396  
D247,239 S \* 2/1978 Baechtle ..... D14/396  
D271,767 S \* 12/1983 Ohie ..... D14/396  
D273,581 S \* 4/1984 Rosenbaum ..... D10/106.1  
D299,495 S \* 1/1989 Dickie ..... D14/396

D319,046 S \* 8/1991 Kapec ..... D14/334  
D383,730 S \* 9/1997 Jones ..... D14/334  
D395,285 S \* 6/1998 Allon ..... D14/388  
D411,530 S \* 6/1999 Carter ..... D14/217  
D412,337 S \* 7/1999 Hamano ..... D13/164  
D418,820 S \* 1/2000 Shintani ..... D13/164  
D421,038 S \* 2/2000 Hisatsune ..... D13/168  
D448,378 S \* 9/2001 Arnold ..... D14/396  
D451,529 S \* 12/2001 Vasquez ..... D13/164  
D569,377 S \* 5/2008 Lundgren ..... D14/396  
D573,628 S \* 7/2008 Sakamoto ..... D13/164  
D619,576 S \* 7/2010 Kawano ..... D14/396  
D648,370 S \* 11/2011 Yoshida ..... D16/237

(Continued)

**OTHER PUBLICATIONS**

WV-CU980. [online] Retrieved Jan. 12, 2021 from URL: <https://business.panasonic.sg/security-solutions/wv-cu980>.\*

*Primary Examiner* — Vy N Koenig  
(74) *Attorney, Agent, or Firm* — Greenblum & Bernstein, P.L.C.

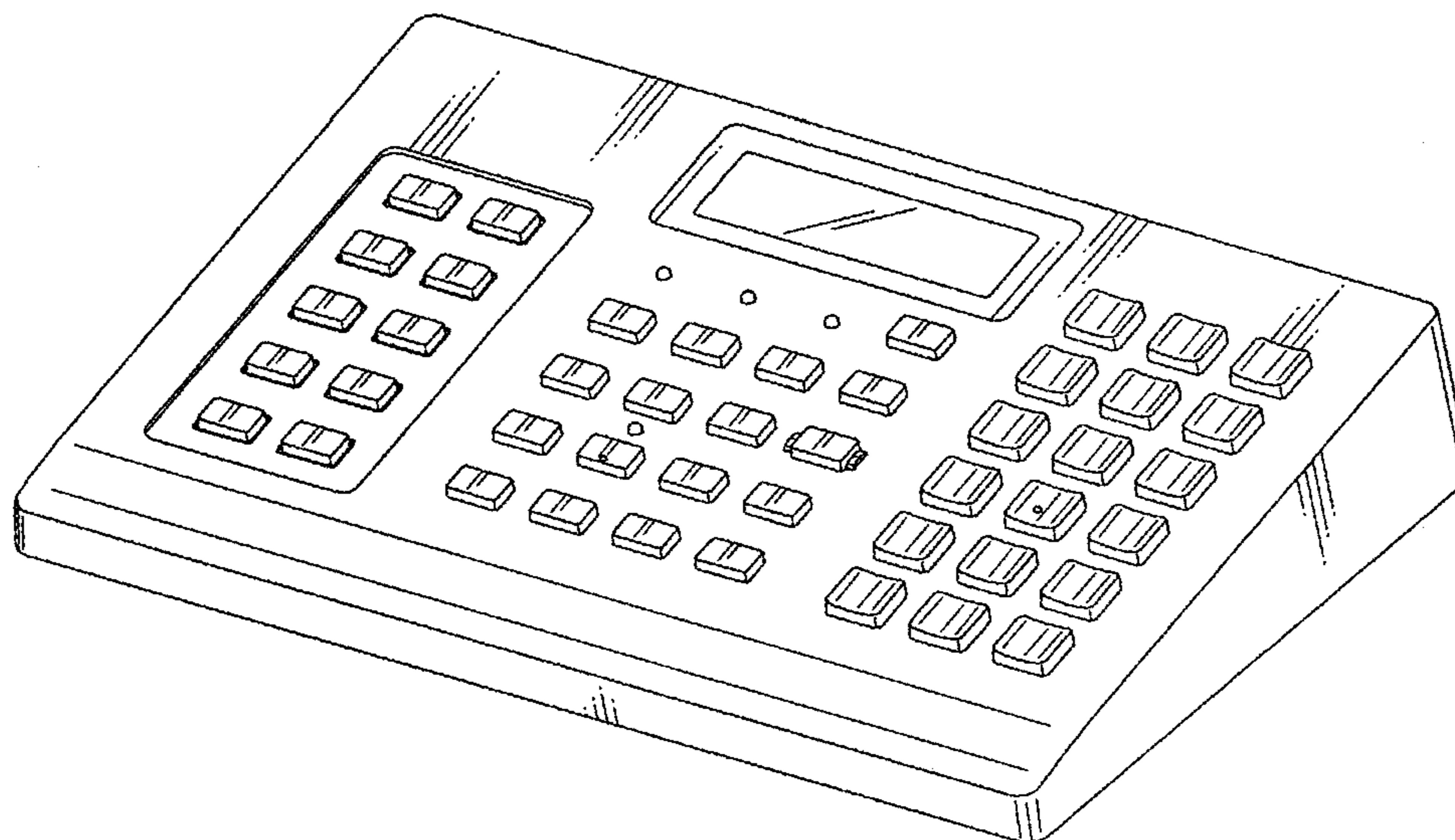
(57) **CLAIM**

I claim the ornamental design for a controller for a surveillance camera system, as shown and described.

**DESCRIPTION**

FIG. 1 is a front, right, and top perspective view of a controller for a surveillance camera system showing the new design;  
FIG. 2 is a rear, left, and top perspective view thereof;  
FIG. 3 is a front view thereof;  
FIG. 4 is a rear view thereof;  
FIG. 5 is a left side view thereof;  
FIG. 6 is a right side view thereof;  
FIG. 7 is a top plan view thereof; and,  
FIG. 8 is a bottom view thereof.  
The broken lines in the drawings illustrate subject matter that forms no part of the claimed design.

**1 Claim, 8 Drawing Sheets**



(56)

**References Cited**

U.S. PATENT DOCUMENTS

|              |         |                 |         |
|--------------|---------|-----------------|---------|
| D707,189 S * | 6/2014  | Martello .....  | D13/164 |
| D806,077 S * | 12/2017 | Kinoshita ..... | D14/396 |
| D808,966 S * | 1/2018  | Kinoshita ..... | D14/396 |
| D810,746 S * | 2/2018  | Kothari .....   | D14/399 |
| D861,767 S * | 10/2019 | Morishita ..... | D16/237 |
| D861,768 S * | 10/2019 | Morishita ..... | D16/237 |

\* cited by examiner

FIG. 1

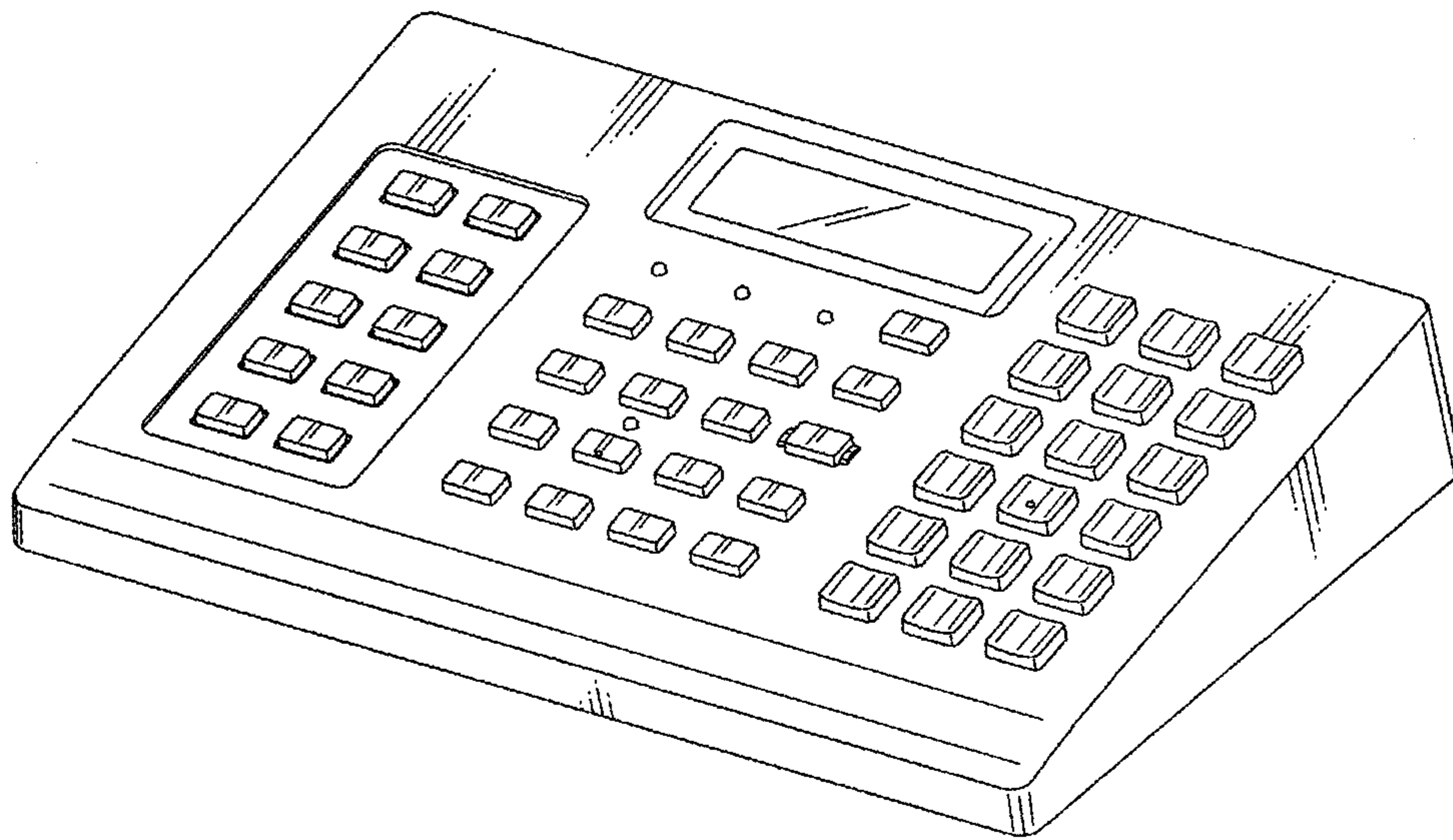


FIG. 2

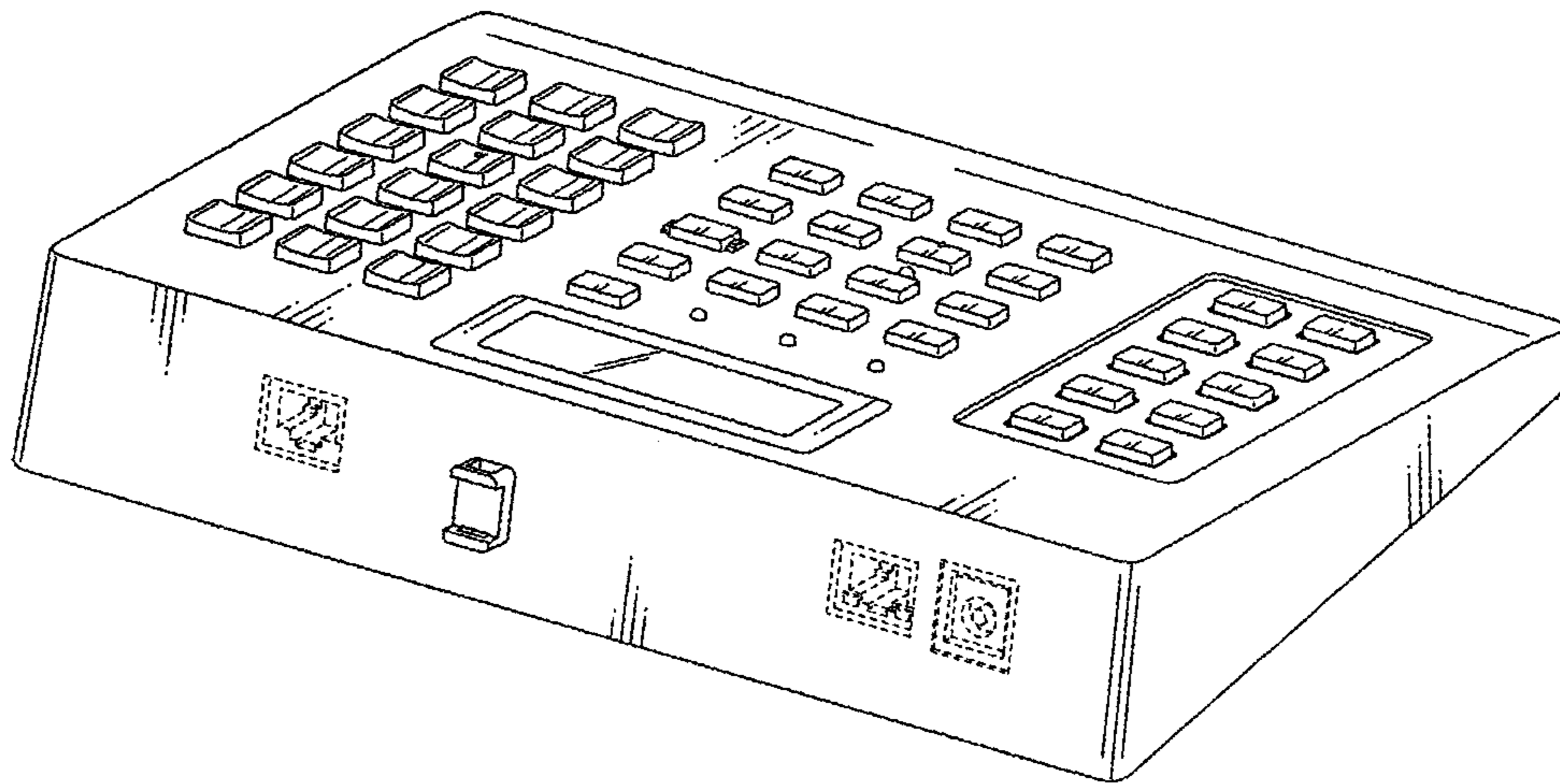


FIG. 3

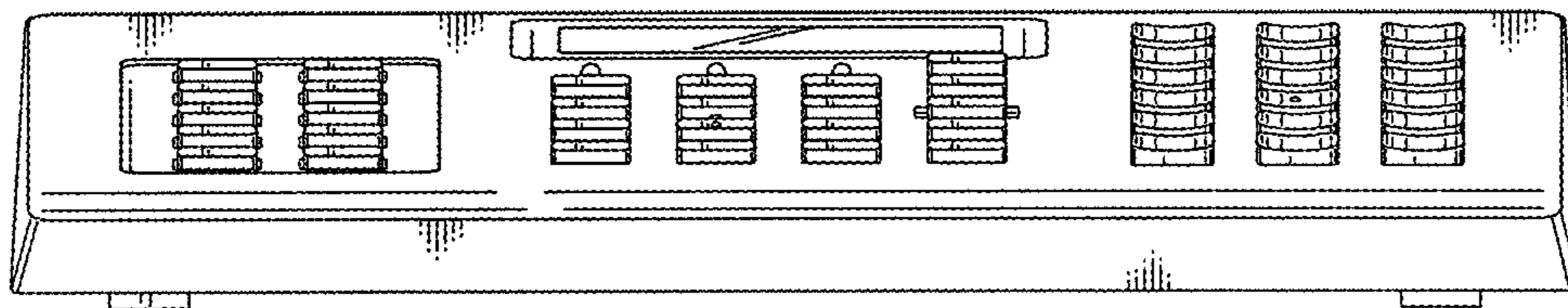


FIG. 4

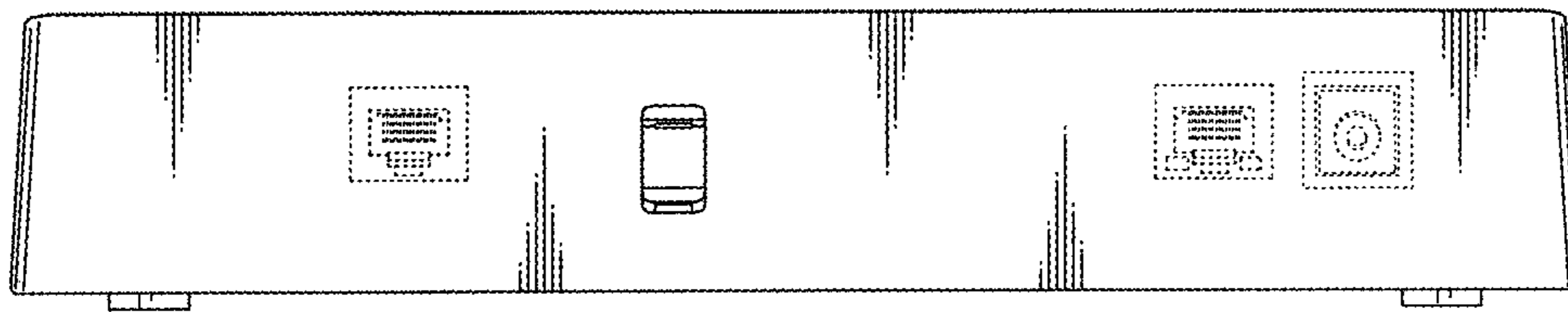


FIG. 5

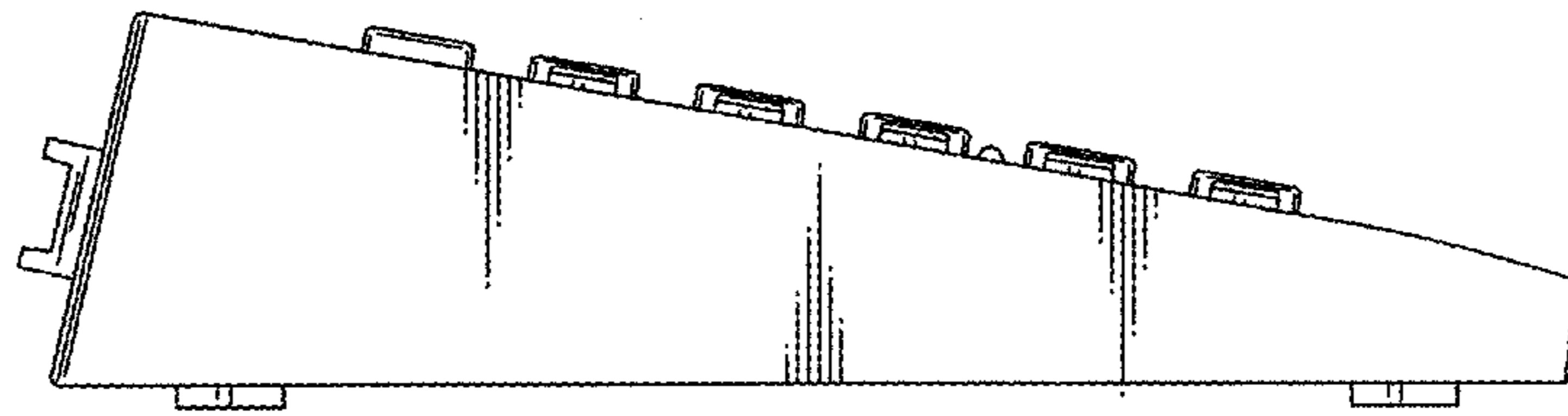


FIG. 6

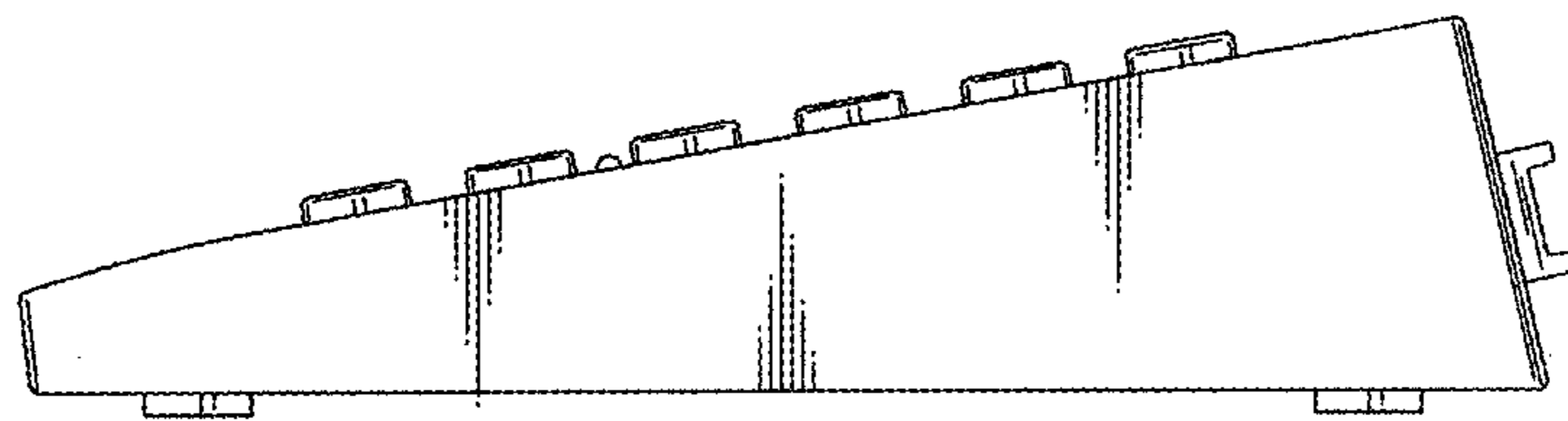




FIG. 7

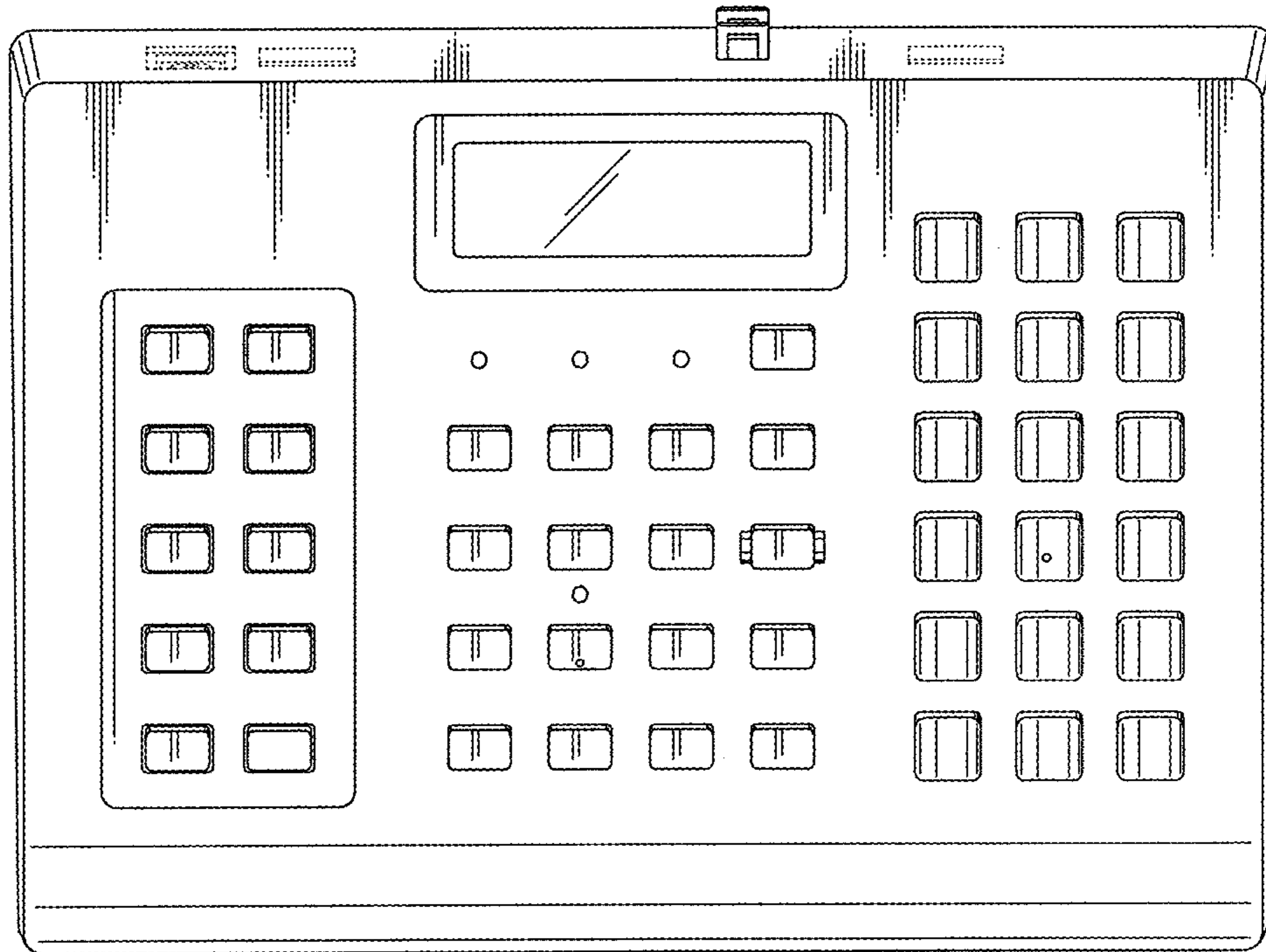


FIG. 8

