



US00D912713S

(12) **United States Design Patent**
Moran et al.

(10) **Patent No.:** **US D912,713 S**
(45) **Date of Patent:** **** Mar. 9, 2021**

- (54) **OIL FILTER REMOVAL DEVICE**
- (71) Applicants: **Kevin Francis Moran**, South Lyon, MI (US); **Elliott Heinrich**, Grand Rapids, MI (US)
- (72) Inventors: **Kevin Francis Moran**, South Lyon, MI (US); **Elliott Heinrich**, Grand Rapids, MI (US)
- (**) Term: **15 Years**
- (21) Appl. No.: **29/709,182**
- (22) Filed: **Oct. 11, 2019**
- (51) **LOC (13) Cl.** **15-09**
- (52) **U.S. Cl.**
USPC **D15/150**; D8/21
- (58) **Field of Classification Search**
USPC D8/21; D15/150, 151, 152; D23/209, D23/213
CPC .. B01D 2201/24; B25B 27/0042; F16N 33/00
See application file for complete search history.

- 4,697,480 A * 10/1987 Robideau B67B 7/18 7/100
- 4,766,781 A 8/1988 Grise et al.
- 4,846,025 A * 7/1989 Keller B25B 27/0042 81/3.09
- 4,865,727 A * 9/1989 Krauss B01D 35/30 210/167.02
- 4,867,017 A 9/1989 Holman
(Continued)

OTHER PUBLICATIONS

Leaton Silicone Collapsible Funnel Foldable Funnel for Liquid Transfer 100% Food Grade Silicone (Green), available at URL <https://www.amazon.com/Leaton-Silicone-Collapsible-Foldable-Transfer/dp/B014DS29EE>.

(Continued)

Primary Examiner — Patricia A Palasik
(74) *Attorney, Agent, or Firm* — Burriss Law, PLLC

(57) **CLAIM**

The ornamental design for an oil filter removal device, as shown and described.

DESCRIPTION

FIG. 1 is a top-front perspective view of the oil filter removal device;
FIG. 2 is a bottom-rear perspective view thereof;
FIG. 3 is a different top-front perspective view thereof;
FIG. 4 is a top-rear perspective view thereof;
FIG. 5 is a front view thereof;
FIG. 6 is a bottom view thereof;
FIG. 7 is a top view thereof;
FIG. 8 is a left side view thereof;
FIG. 9 is a right side view thereof; and,
FIG. 10 is a rear view thereof.

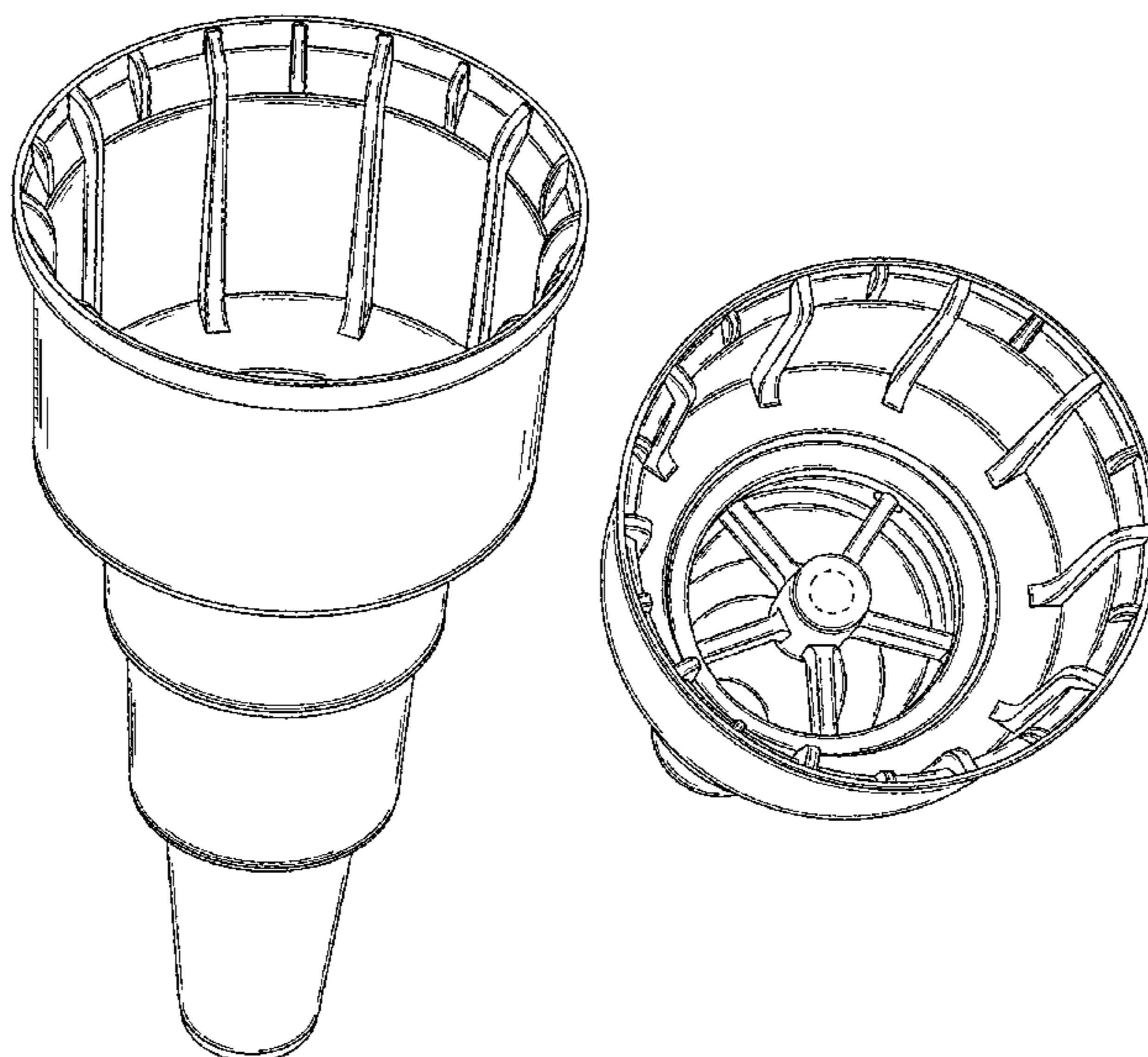
The broken lines are included for the purpose of illustrating unclaimed features of the oil filter removal device and form no part of the claimed design.

1 Claim, 8 Drawing Sheets

(56) **References Cited**

U.S. PATENT DOCUMENTS

- 710,787 A 10/1902 Lewis
- 1,960,531 A * 5/1934 Driscoll B67B 7/18 81/3.4
- 2,374,613 A 4/1945 Muller
- 2,500,639 A * 3/1950 Lermer B65D 35/12 222/215
- 2,746,330 A 5/1956 Pfetzing
- 3,385,141 A 5/1968 Norman
- 3,604,290 A 9/1971 Waite et al.
- 3,853,026 A * 12/1974 Rhodes B25B 27/0042 81/90.2
- 4,001,904 A 1/1977 Gill
- 4,266,452 A 5/1981 Crist
- 4,402,287 A 9/1983 Cochran
- 4,451,368 A * 5/1984 Pandelena B01D 35/31 210/238



(56)

References Cited

U.S. PATENT DOCUMENTS

4,907,334 A * 3/1990 Carver B25B 27/02
29/278
D319,955 S * 9/1991 Keller D8/21
5,199,331 A * 4/1993 Tsukamoto B25B 13/48
81/121.1
5,271,299 A 12/1993 Wadsworth
5,320,145 A 6/1994 Avino
5,353,666 A 10/1994 Rogers
5,366,400 A 11/1994 Kucik
D356,853 S * 3/1995 Fowler D23/213
5,845,552 A 12/1998 Piascik
5,924,342 A 7/1999 Chou
6,119,738 A * 9/2000 Idol F04D 25/084
141/114
D442,670 S * 5/2001 Maddox D23/213
6,227,078 B1 * 5/2001 Lemmo, Jr. B25B 27/0042
7/100
D452,802 S * 1/2002 Peabody D8/33
6,401,574 B1 * 6/2002 Myers B25B 27/0042
7/100
6,439,440 B1 * 8/2002 Lasserre B65D 83/205
222/288
7,107,878 B1 * 9/2006 Jerantowski B25B 27/0042
81/120
D535,721 S * 1/2007 Ford D23/213
D546,946 S * 7/2007 Blake D24/129
7,241,385 B1 * 7/2007 Cline B01D 35/30
210/232
7,340,979 B2 3/2008 Sawyer
7,637,120 B1 * 12/2009 Doss F25D 3/02
62/378
7,849,968 B1 12/2010 Krepps
D639,903 S * 6/2011 Plotzitzka D23/213
D667,857 S * 9/2012 Hidaka D15/144

D668,519 S * 10/2012 Berlencourt D8/21
D772,662 S * 11/2016 Klamm D8/21
D776,787 S * 1/2017 Zhang D23/213
D784,099 S * 4/2017 Mitchell D8/21
10,065,298 B1 * 9/2018 Winscott B25B 13/481
2003/0024947 A1 * 2/2003 Joshi B65D 47/14
222/83
2003/0062221 A1 4/2003 Burrow et al.
2003/0234301 A1 * 12/2003 Swan B05B 7/0425
239/429
2004/0016776 A1 * 1/2004 Williamson, IV B65D 53/06
222/327
2006/0116649 A1 * 6/2006 Hagele A61F 9/0008
604/295
2006/0243696 A1 * 11/2006 Spada B65D 47/122
215/276
2007/0233020 A1 * 10/2007 Hearne B65D 47/18
604/295
2008/0276763 A1 * 11/2008 Greenberg B25B 27/0042
81/121.1
2009/0039083 A1 * 2/2009 Stull, Sr. B65D 47/10
220/257.1
2010/0224657 A1 * 9/2010 Bowman A61F 9/0008
222/420
2012/0198970 A1 8/2012 Robidoux
2013/0161223 A1 6/2013 Tessier
2013/0206244 A1 * 8/2013 Laurel B25B 27/0042
137/15.01
2019/0210202 A1 * 7/2019 Quick B01D 29/96

OTHER PUBLICATIONS

Kiwav Motors, Foldable oil funnel, available at URL <https://www.kiwavmotors.com/en/tools-accessories/kiwav-motorcycle-silicone-foldable-collapsible-oil-funnel-detail>.

* cited by examiner

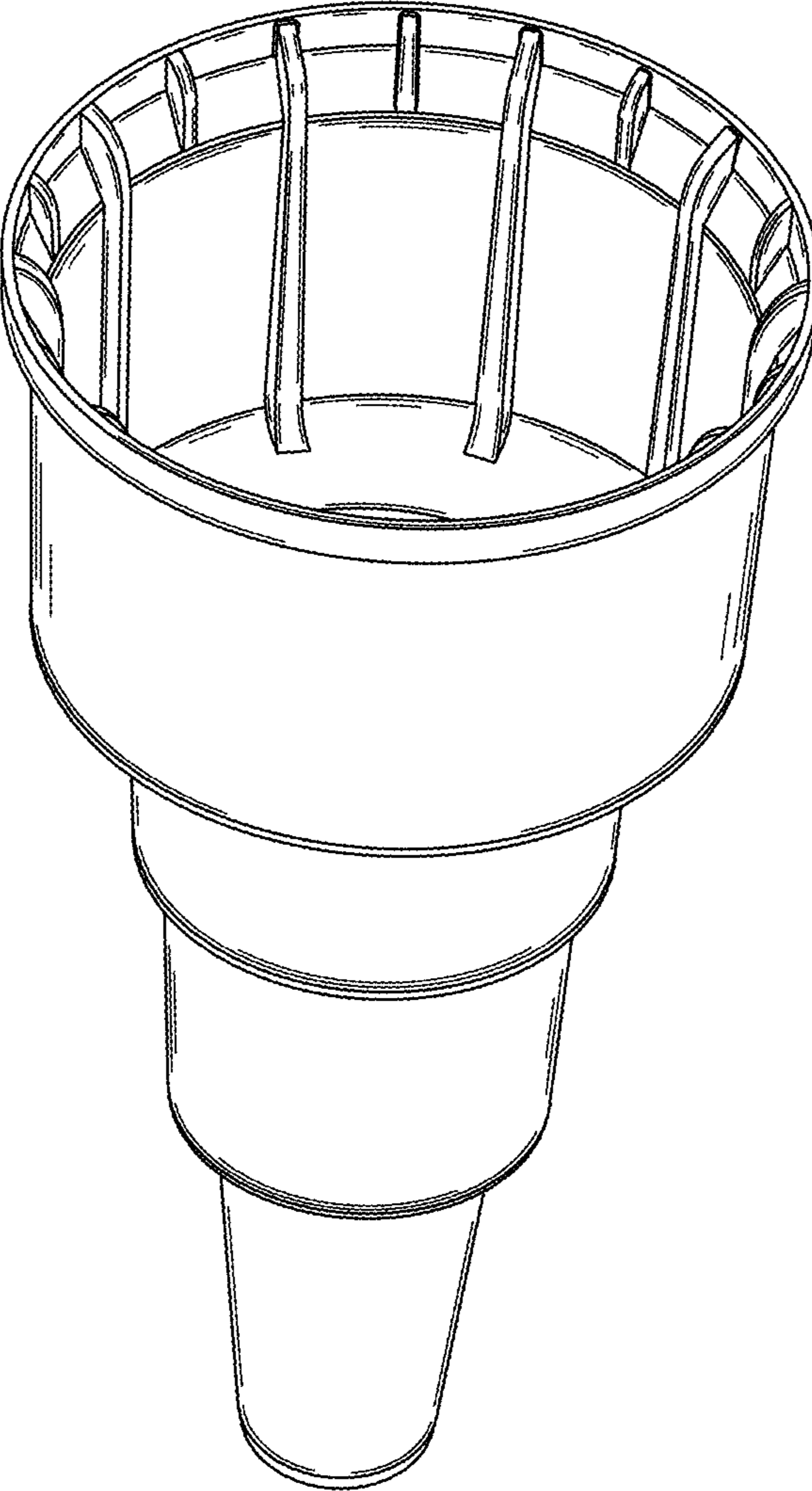


FIG. 1

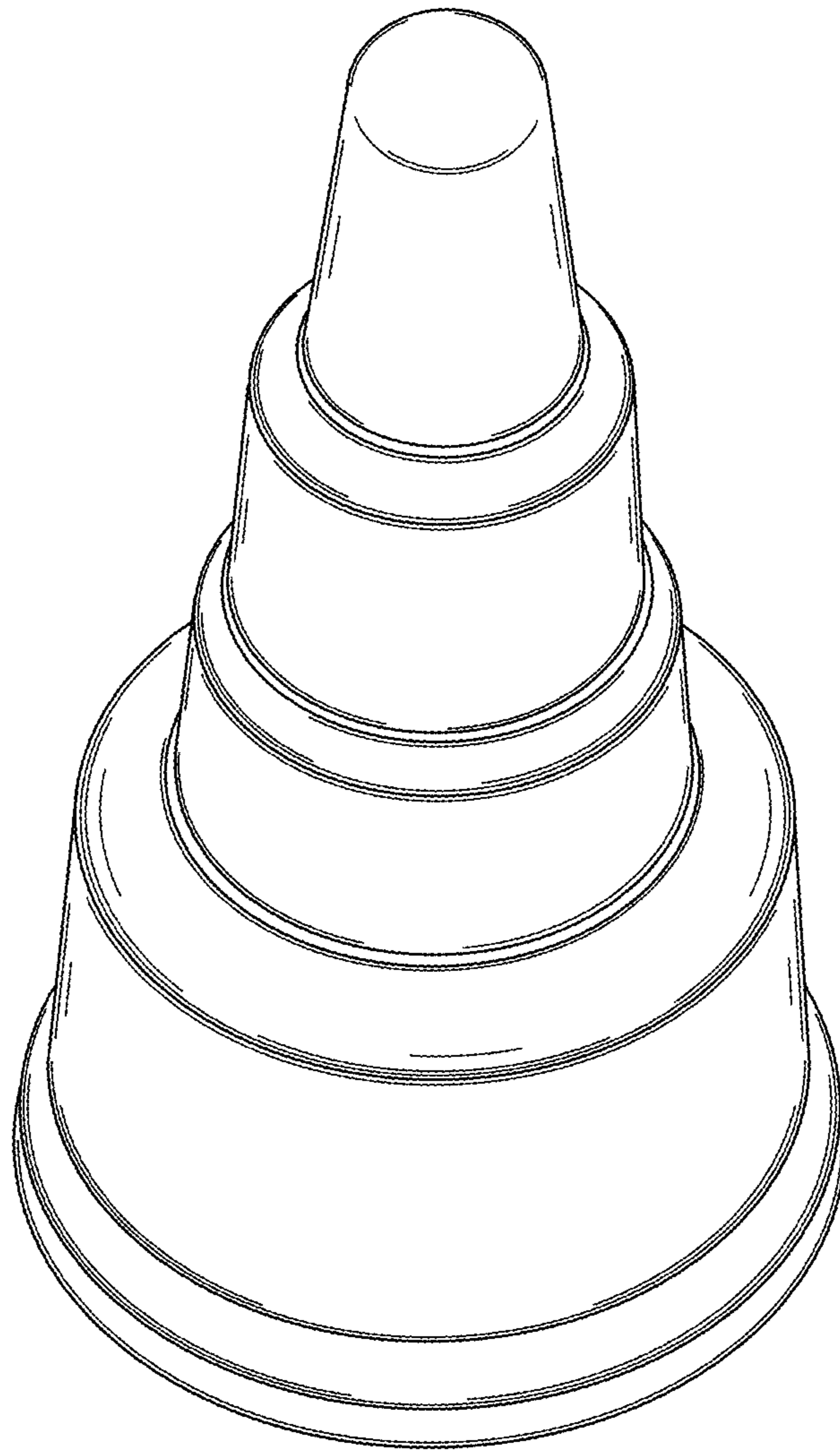


FIG. 2

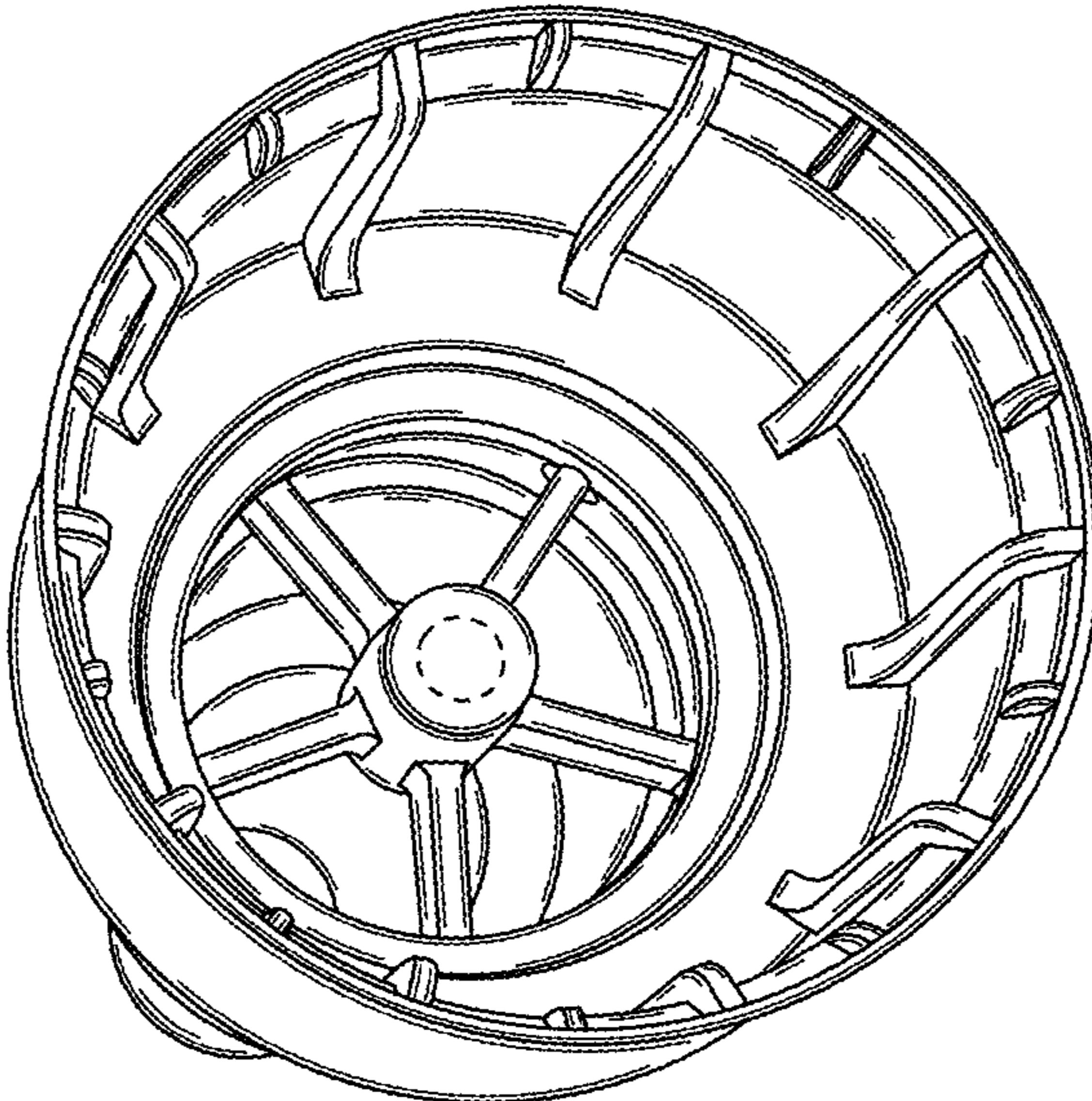


FIG. 3

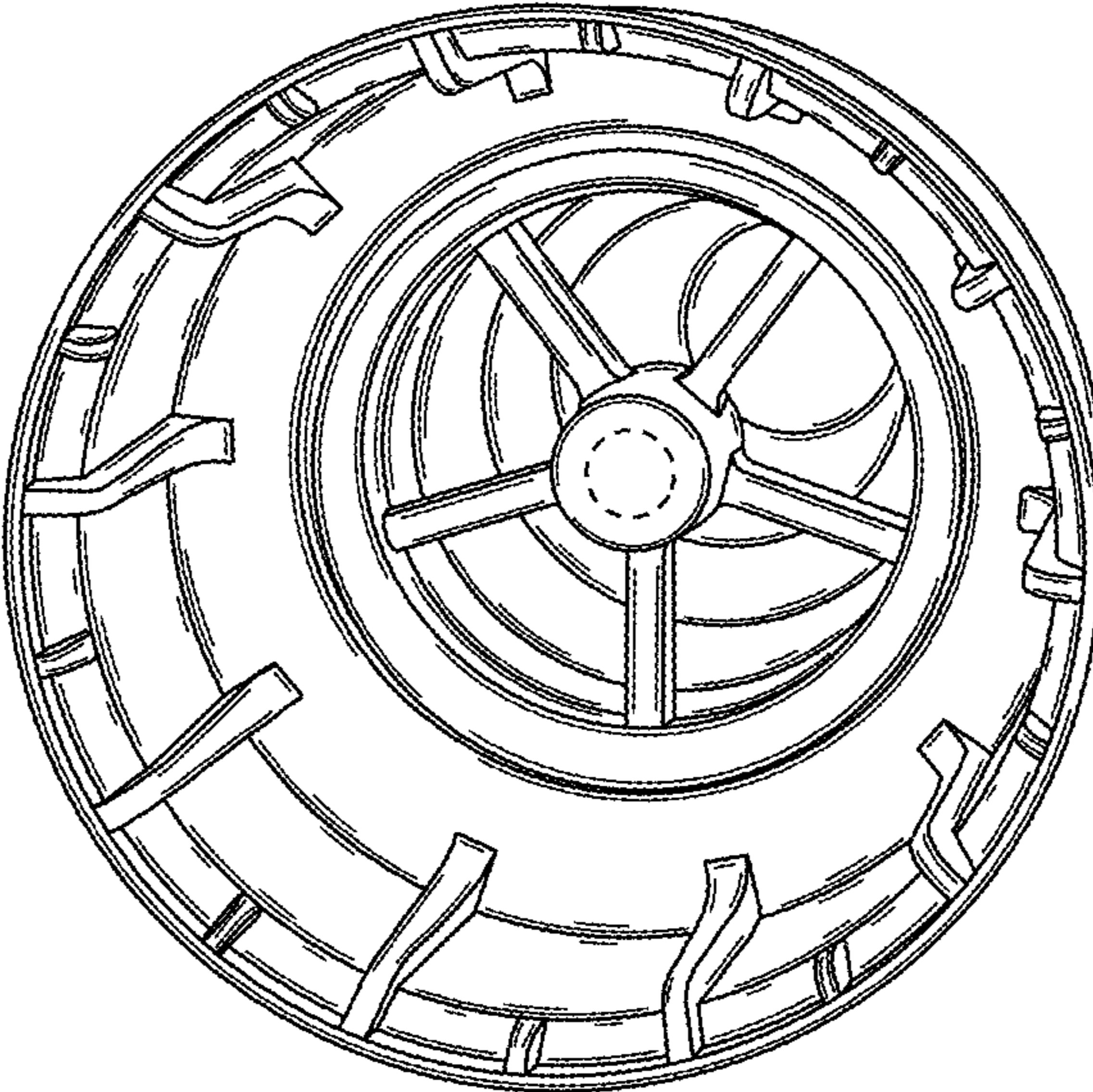


FIG. 4

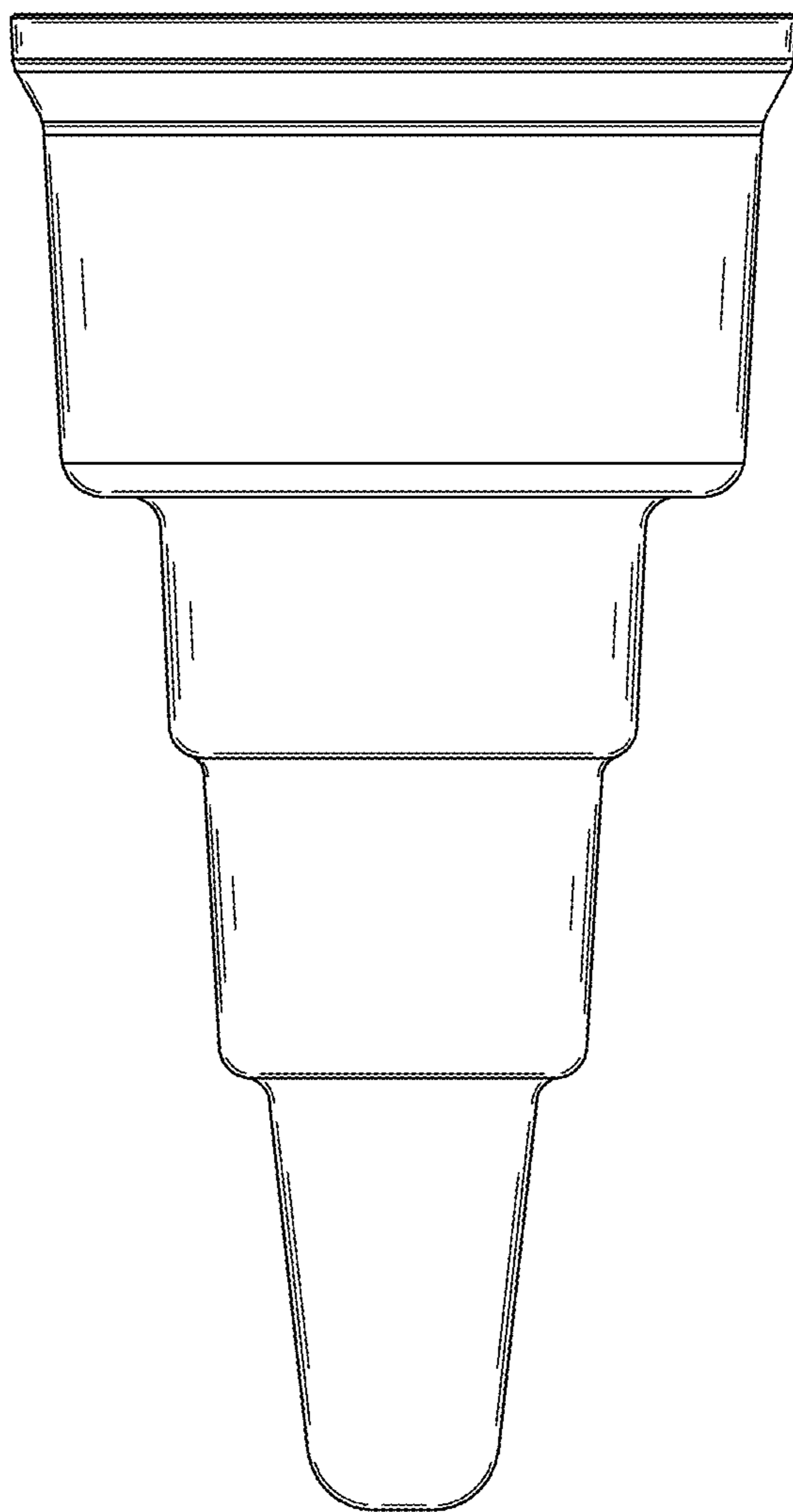


FIG. 5

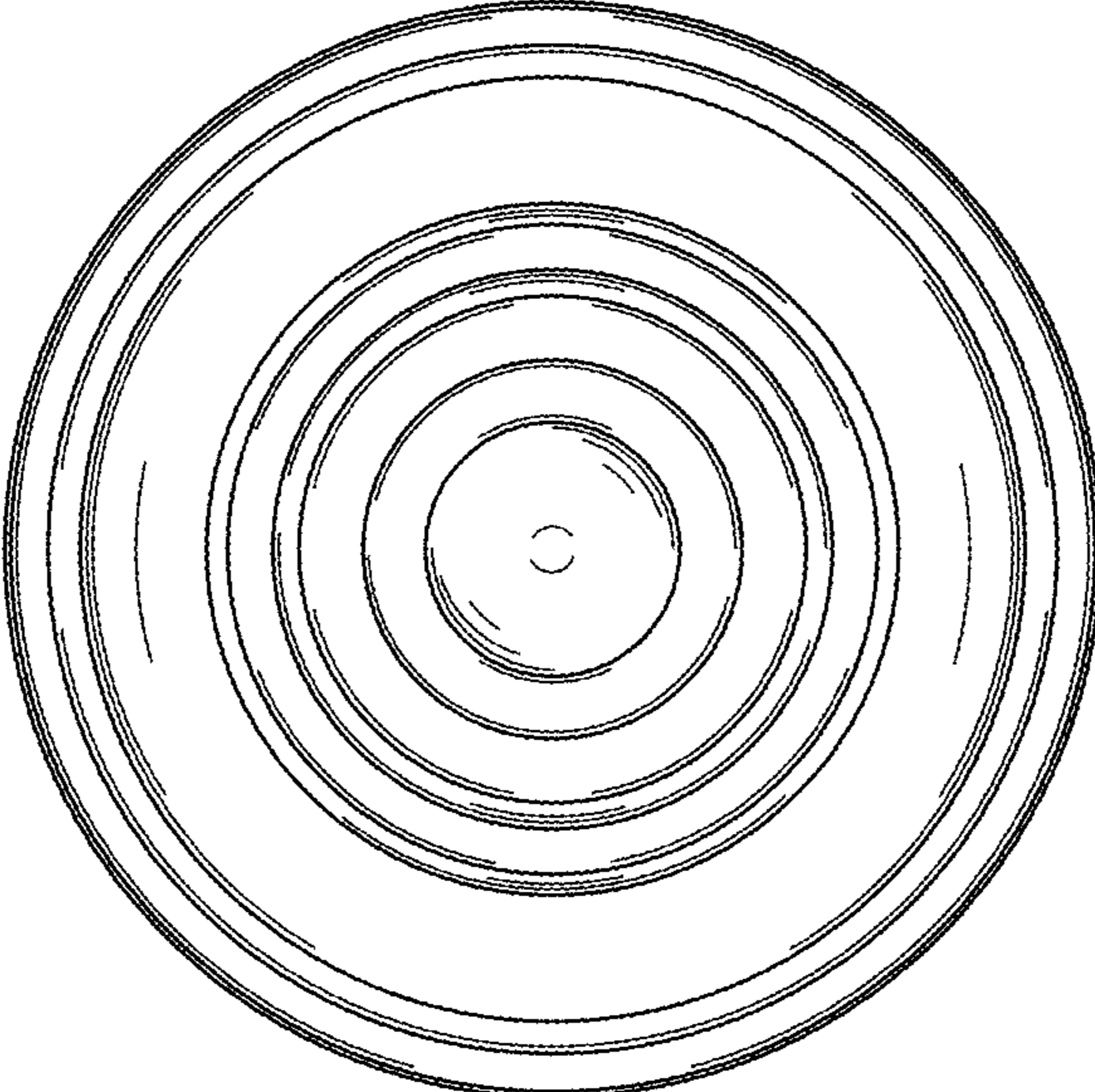


FIG. 6

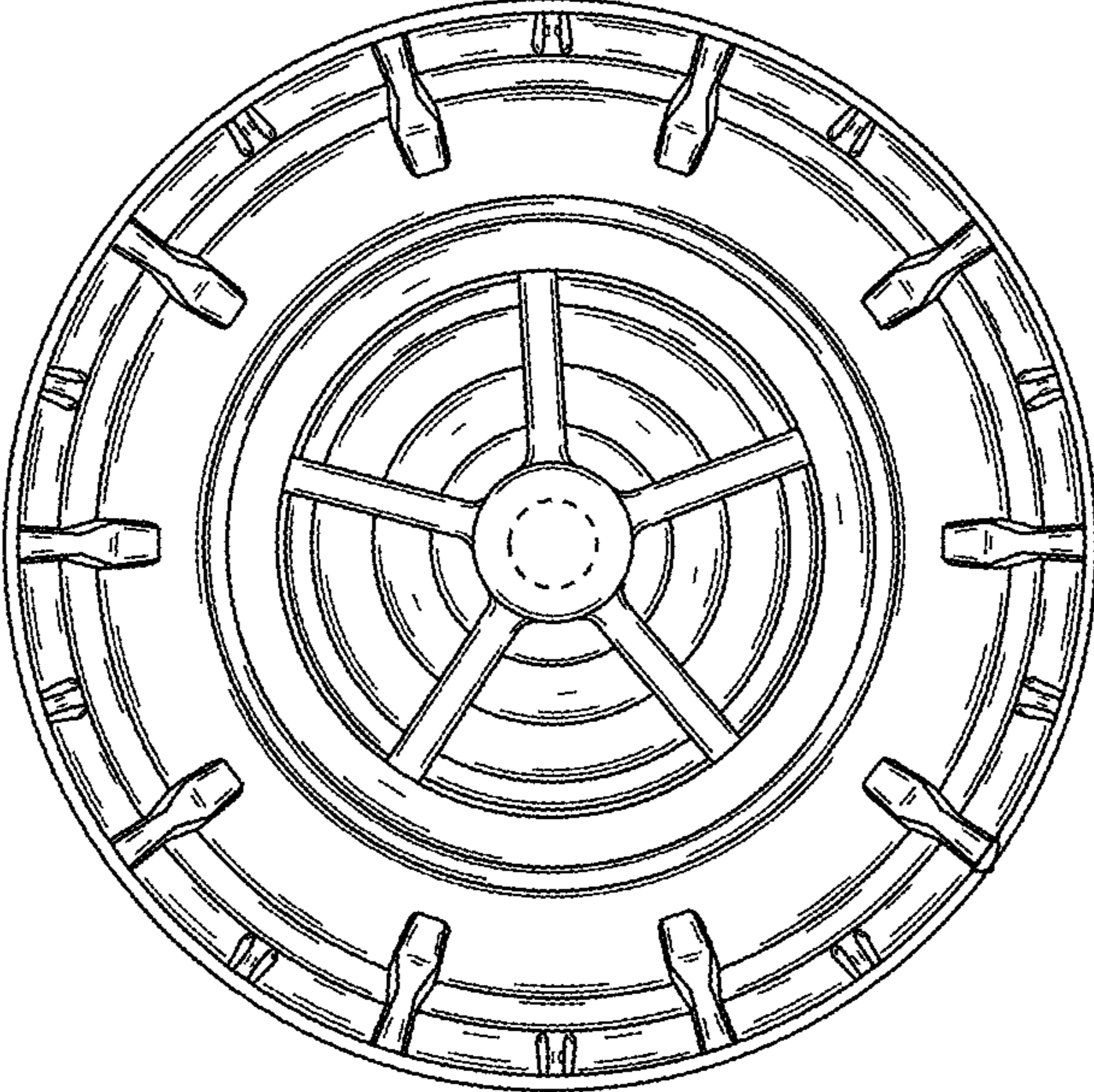


FIG. 7

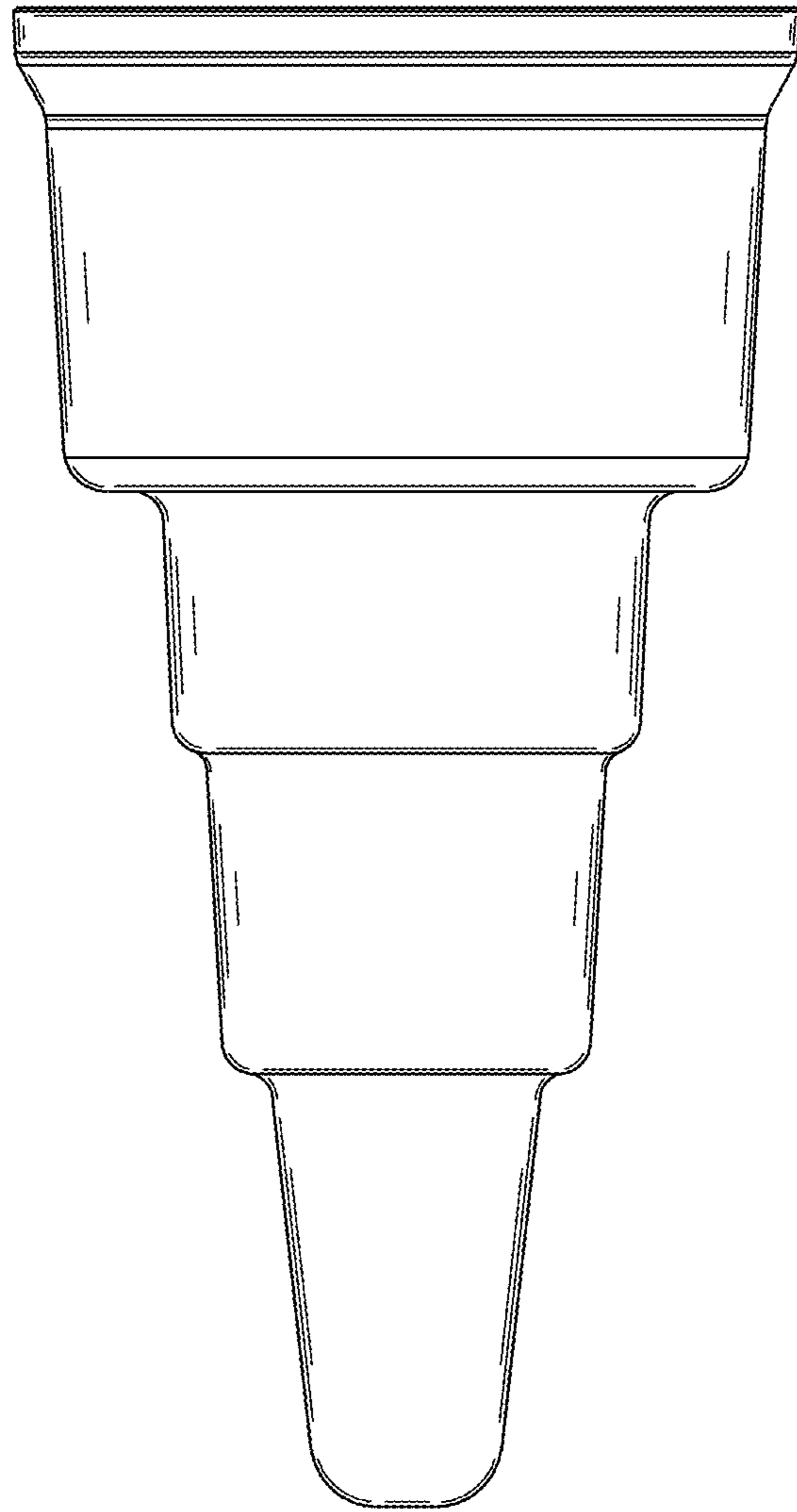


FIG. 8

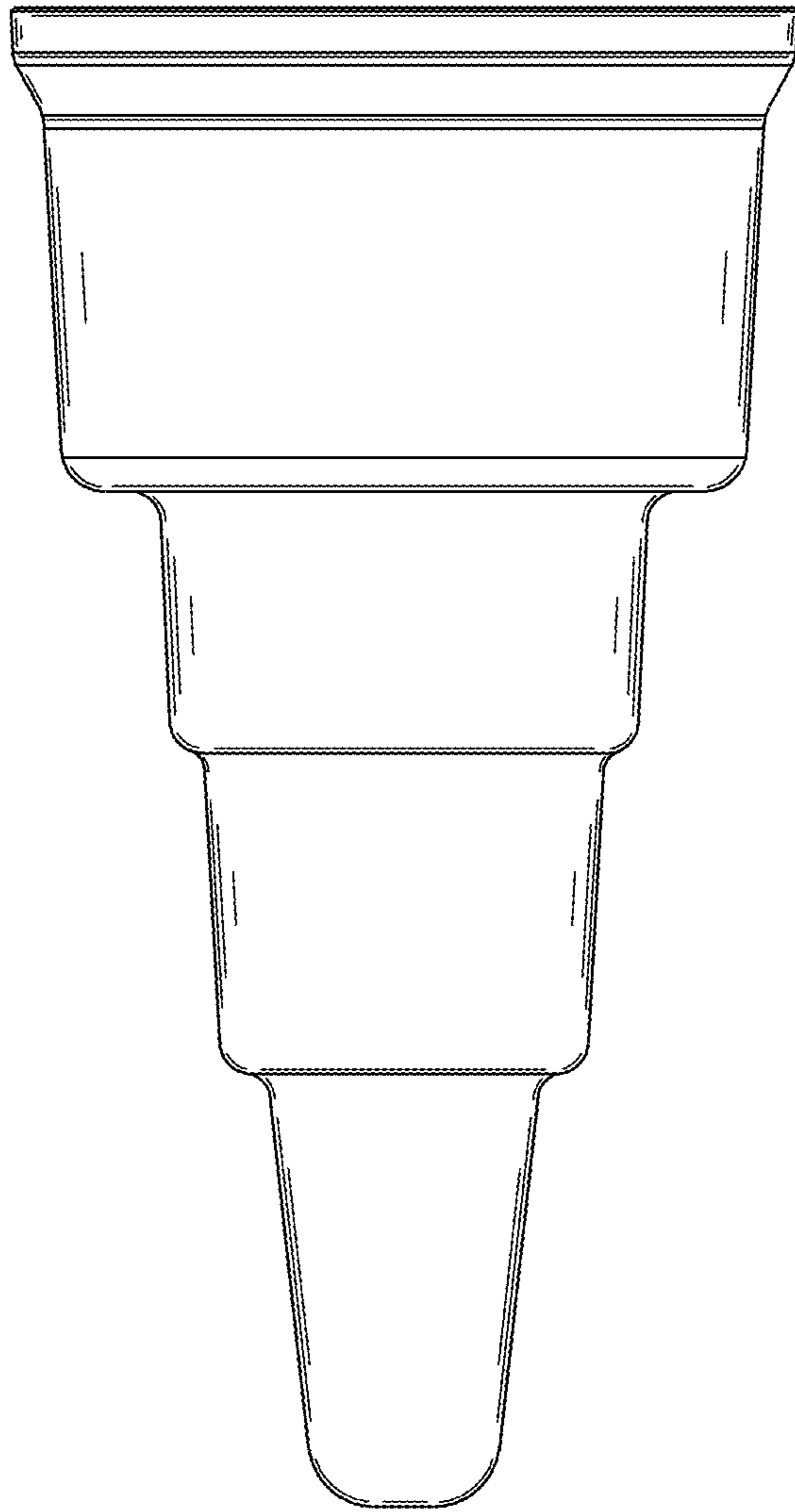


FIG. 9

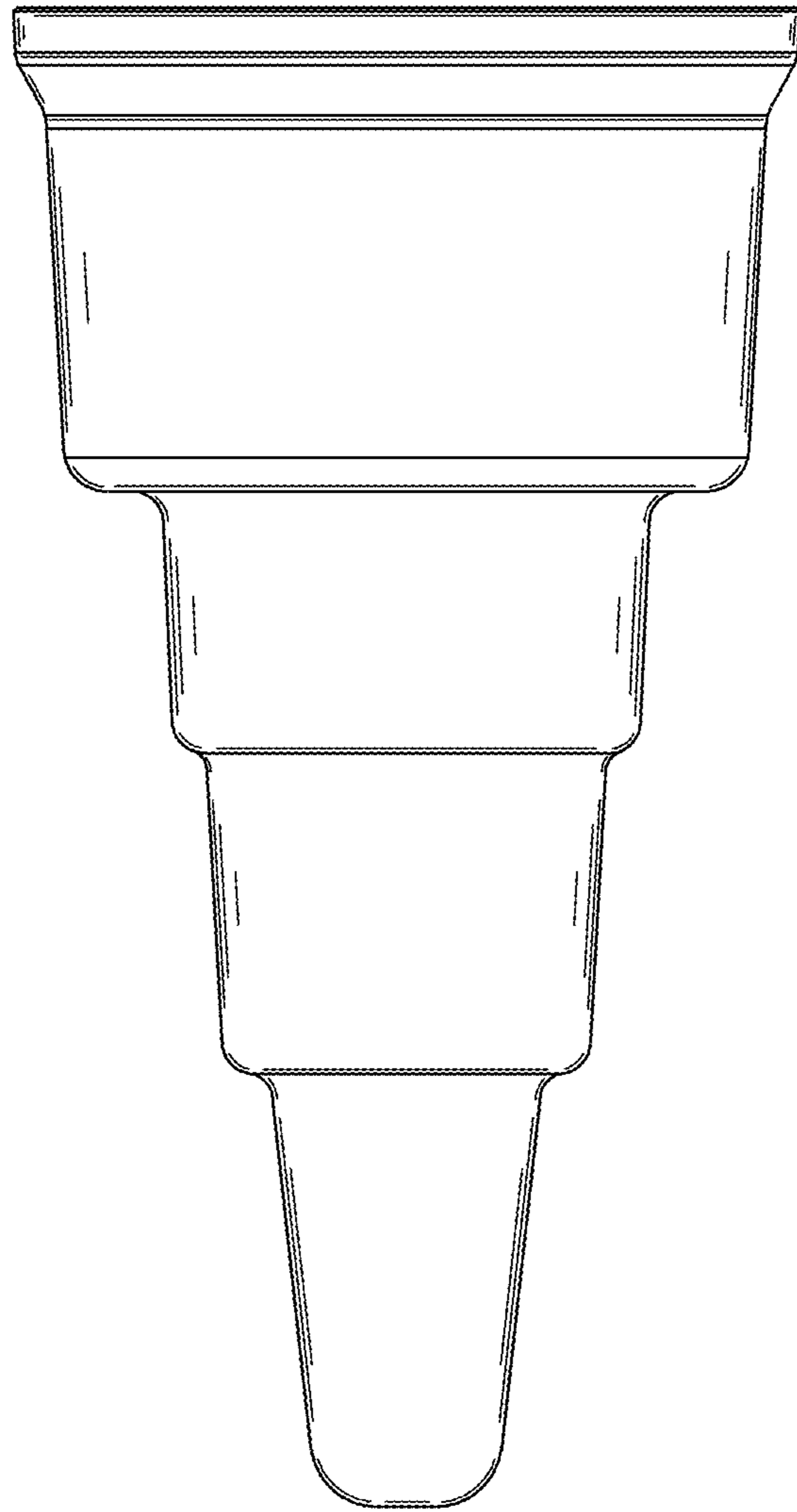


FIG. 10