



US00D912711S

(12) **United States Design Patent** (10) **Patent No.:** **US D912,711 S**  
**Choi** (45) **Date of Patent:** **\*\* Mar. 9, 2021**

(54) **LAMINATOR**  
(71) Applicant: **FELLOWES INC.**, Itasca, IL (US)  
(72) Inventor: **Taiwon Choi**, Glenview, IL (US)  
(73) Assignee: **Fellowes, Inc.**, Itasca, IL (US)  
(\*\*) Term: **15 Years**  
(21) Appl. No.: **29/714,220**  
(22) Filed: **Nov. 21, 2019**  
(51) **LOC (13) Cl.** ..... **15-09**  
(52) **U.S. Cl.**  
USPC ..... **D15/146**  
(58) **Field of Classification Search**  
USPC ..... D15/145, 146; D18/50  
CPC ..... B65B 31/046; B65B 31/047  
See application file for complete search history.

7,392,641 B2 \* 7/2008 Abate ..... B65B 31/046  
53/374.9  
7,540,127 B2 \* 6/2009 Sung ..... B65B 31/046  
53/434  
D597,572 S \* 8/2009 Tsai ..... D15/146  
D602,966 S \* 10/2009 Kiple ..... D15/146  
D618,716 S \* 6/2010 Huang ..... D15/146  
D633,118 S \* 2/2011 Beatty ..... D15/146  
D658,694 S \* 5/2012 Day ..... D15/146  
D663,331 S \* 7/2012 Day ..... D15/146  
D679,739 S \* 4/2013 Crutchley ..... D15/146  
D686,649 S \* 7/2013 Zhou ..... D15/146  
D687,079 S \* 7/2013 Mueller ..... D15/146  
D694,793 S \* 12/2013 Cumming ..... D15/146  
D763,334 S \* 8/2016 Yoshitomi ..... D15/146  
D812,662 S \* 3/2018 Chang ..... D15/146  
D823,913 S \* 7/2018 Chou ..... D15/146  
D866,624 S \* 11/2019 Choi ..... D15/146  
D871,470 S \* 12/2019 Xu ..... D15/146

(Continued)

*Primary Examiner* — Patricia A Palasik  
(74) *Attorney, Agent, or Firm* — Wood, Phillips, Katz,  
Clark & Mortimer

(56) **References Cited**  
U.S. PATENT DOCUMENTS

D233,066 S \* 10/1974 Bair ..... D15/146  
4,156,382 A \* 5/1979 Baker ..... B29C 66/861  
156/510  
4,561,925 A \* 12/1985 Skerjanec ..... B29C 66/861  
156/379.6  
D301,238 S \* 5/1989 Makihara ..... D15/146  
D339,362 S \* 9/1993 Hoover ..... D15/146  
5,352,323 A \* 10/1994 Chi ..... B65B 51/148  
156/583.9  
D441,775 S \* 5/2001 Cheng ..... D15/146  
6,694,710 B2 \* 2/2004 Wang ..... B65B 31/06  
53/427  
D501,859 S \* 2/2005 Presta ..... D15/146  
D506,214 S \* 6/2005 Zepter ..... D15/146  
D515,601 S \* 2/2006 Sholzberg ..... D15/146  
7,003,928 B2 \* 2/2006 Patterson ..... B65B 31/06  
53/405  
7,204,067 B2 \* 4/2007 Baptista ..... B65B 31/046  
53/405

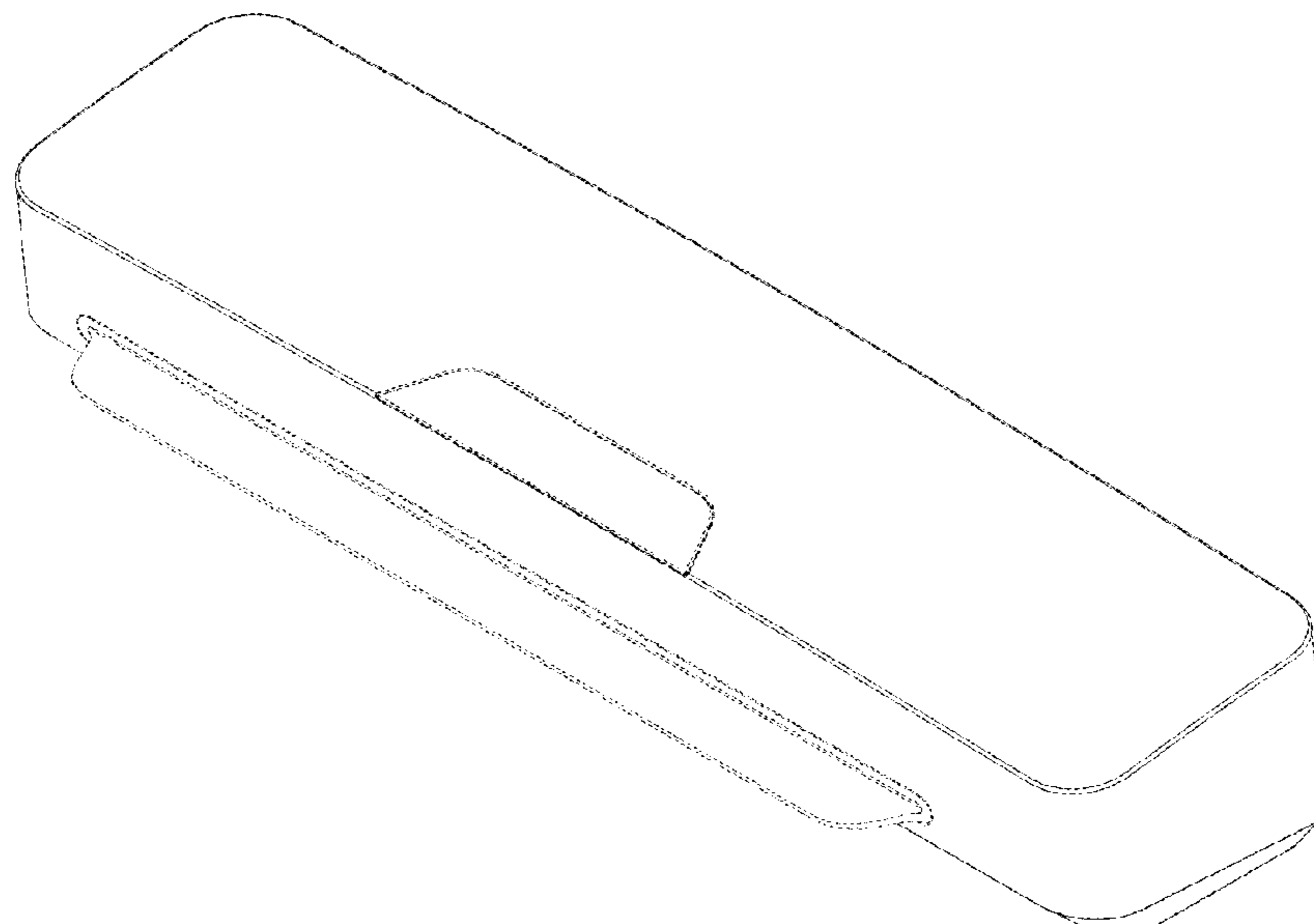
(57) **CLAIM**

The ornamental design for a laminator, substantially as shown and described.

**DESCRIPTION**

FIG. 1 is a right front perspective view of a laminator showing my new design;  
FIG. 2 is a front view thereof;  
FIG. 3 is a top view thereof;  
FIG. 4 is a bottom view thereof;  
FIG. 5 is a left side view thereof;  
FIG. 6 is a right side view thereof; and,  
FIG. 7 is a back view thereof.  
The portions of the laminator shown in dotted lines do not constitute a part of the claimed design.

**1 Claim, 4 Drawing Sheets**



(56)

**References Cited**

U.S. PATENT DOCUMENTS

D881,245 S \* 4/2020 Zheng ..... D15/146  
2005/0022480 A1 \* 2/2005 Brakes ..... B65B 31/046  
53/512

\* cited by examiner

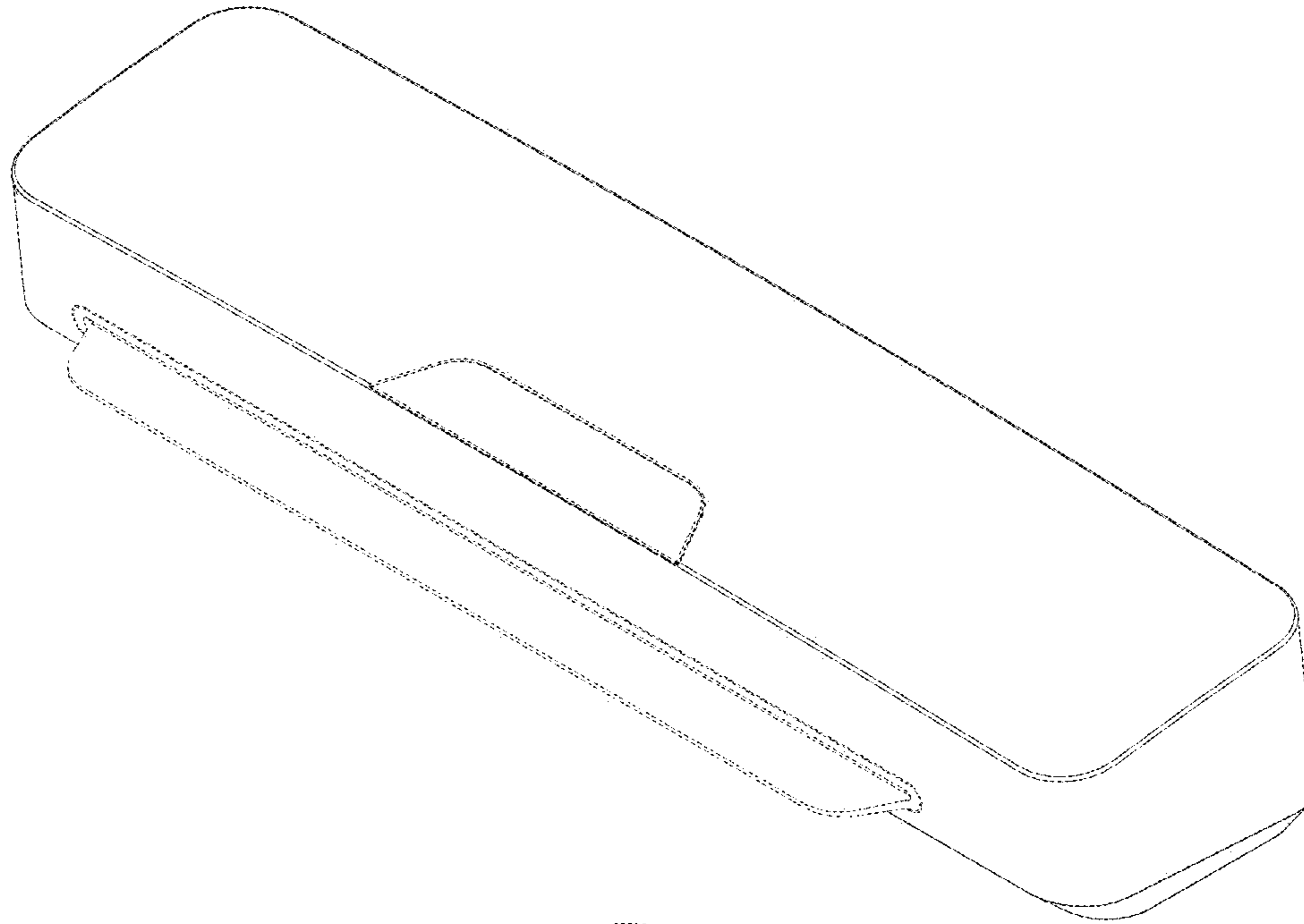


Fig. 1

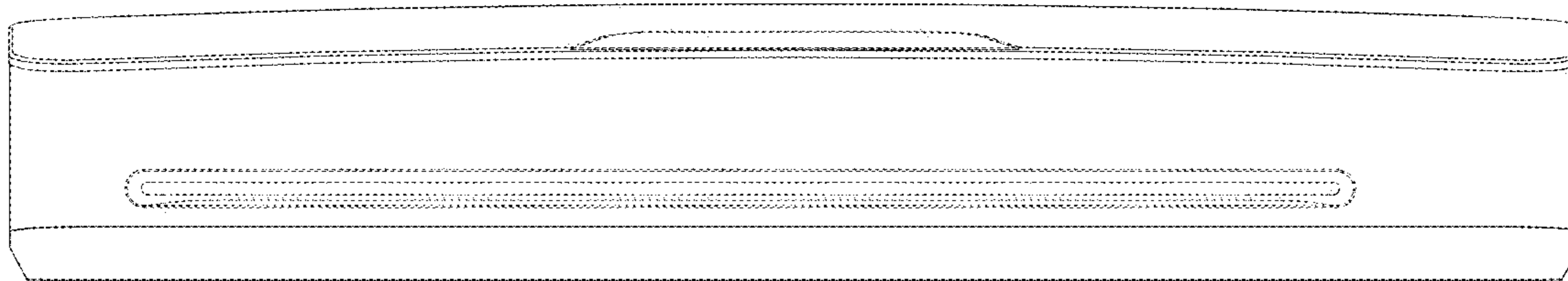


Fig. 2

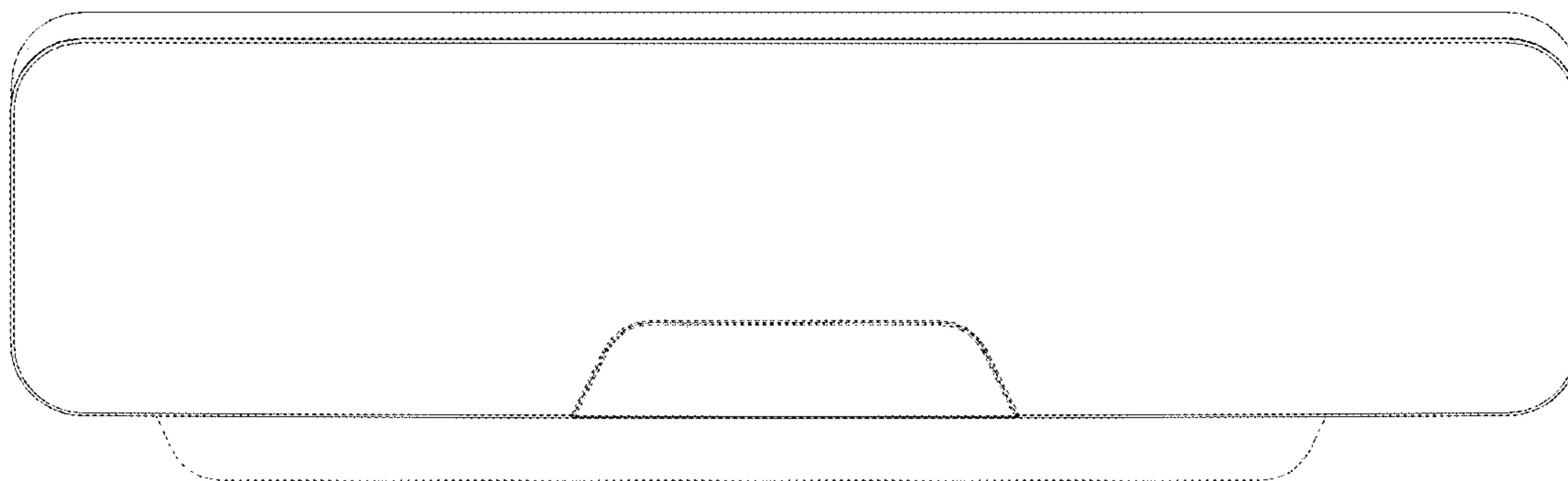


Fig. 3

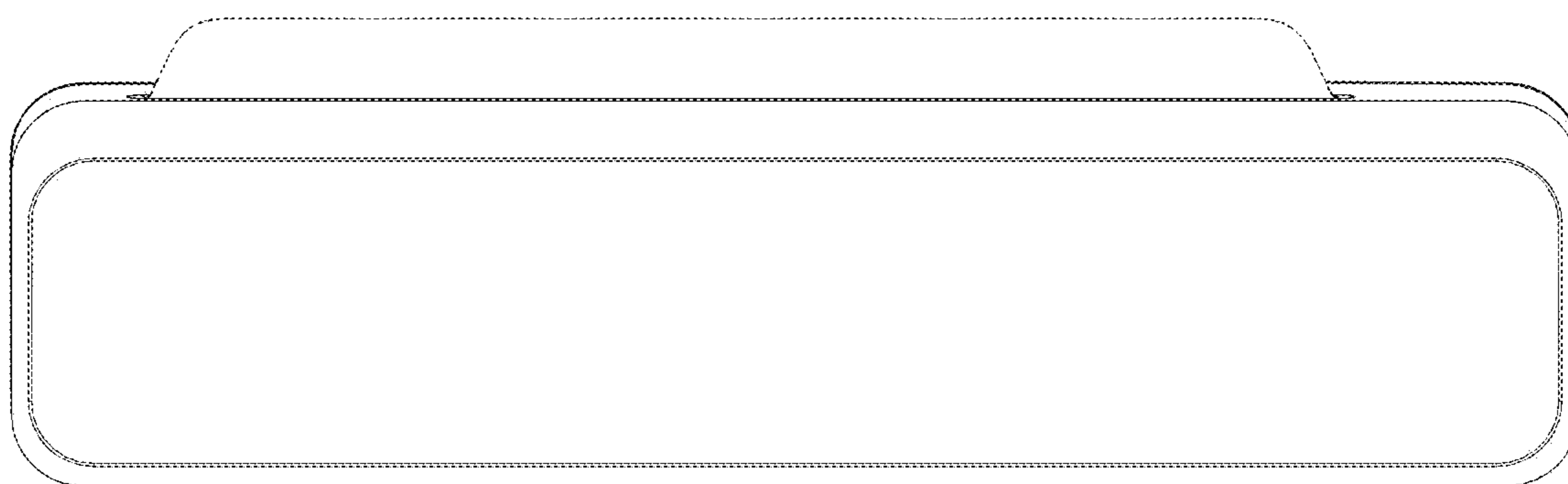


Fig. 4

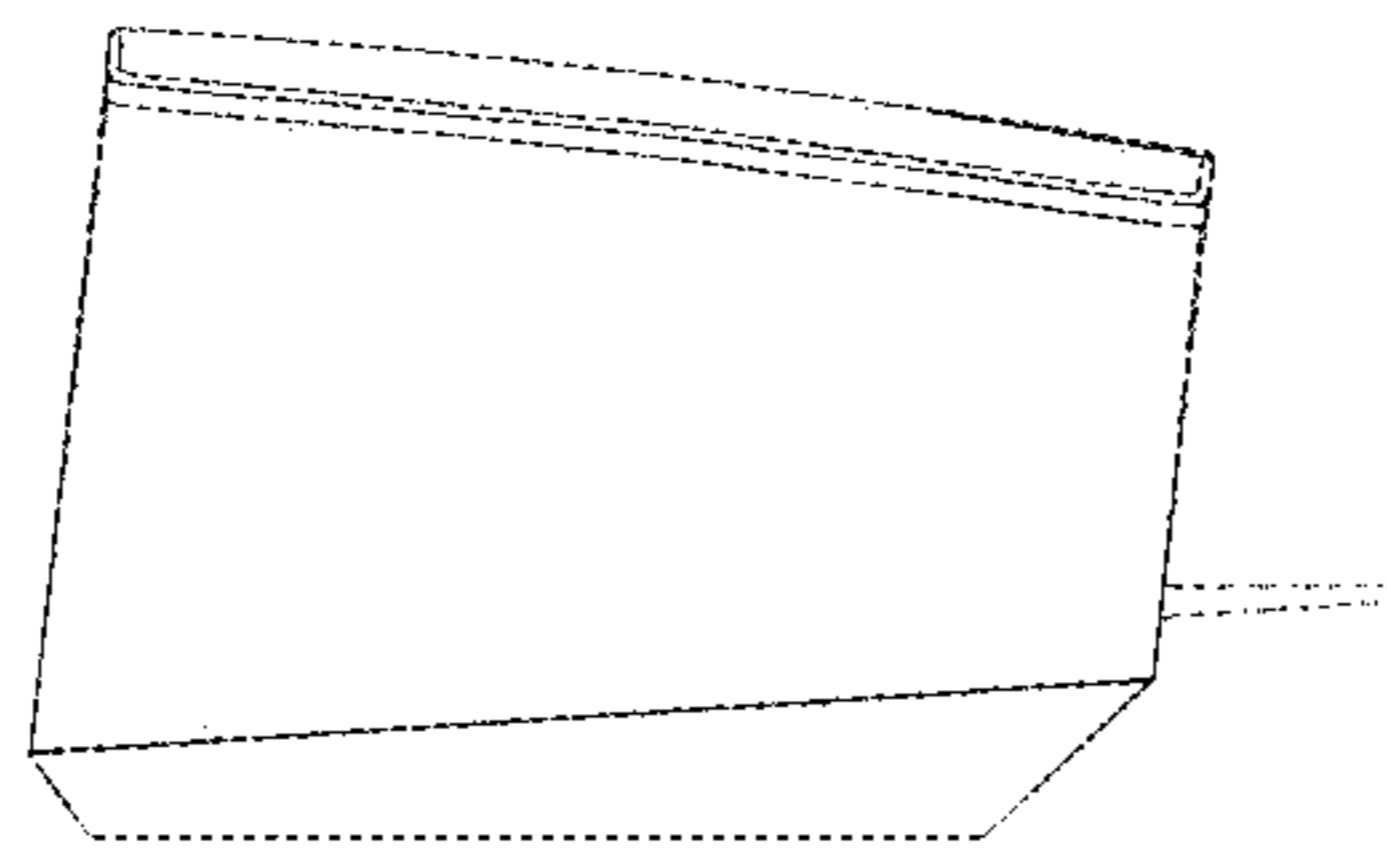


Fig. 5

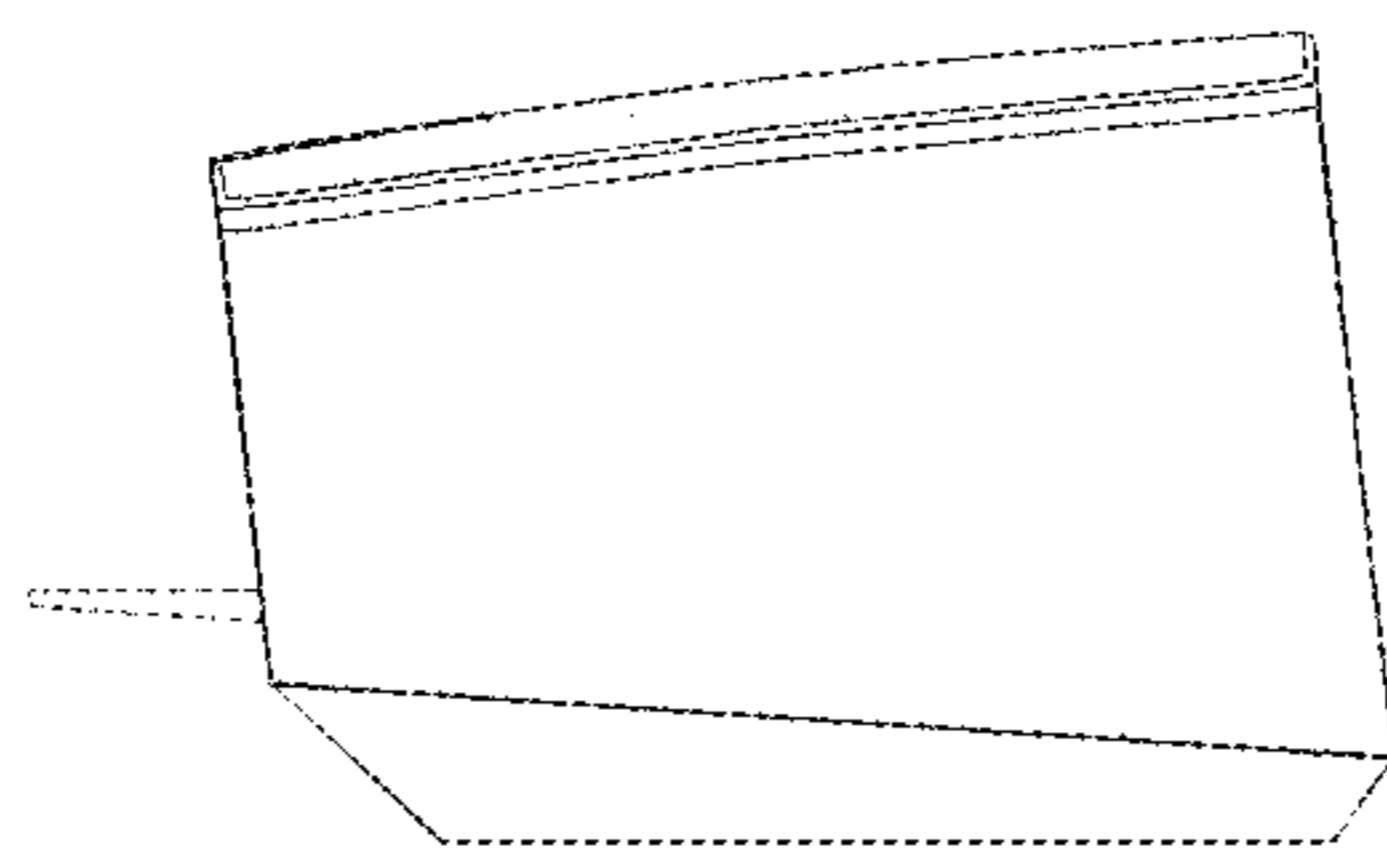


Fig. 6

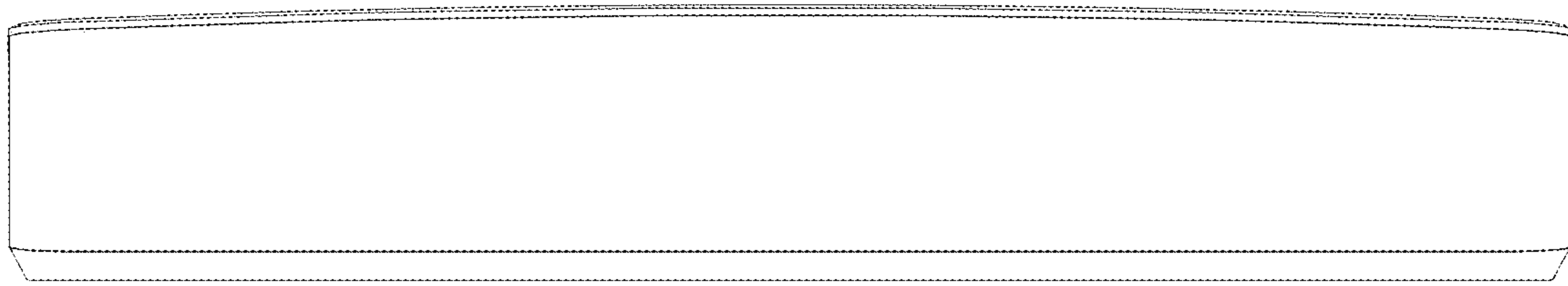


Fig. 7