

US00D912709S

(12) **United States Design Patent** (10) **Patent No.:** **US D912,709 S**
Shen (45) **Date of Patent:** **** Mar. 9, 2021**

(54) **ELECTRIC ACTUATOR**
(71) Applicant: **TIMOTION TECHNOLOGY CO., LTD.**, New Taipei (TW)
(72) Inventor: **Bo-Yen Shen**, New Taipei (TW)
(73) Assignee: **TIMOTION TECHNOLOGY CO., LTD.**, New Taipei (TW)
(**) Term: **15 Years**
(21) Appl. No.: **29/711,593**
(22) Filed: **Oct. 31, 2019**
(51) **LOC (13) Cl.** **15-09**
(52) **U.S. Cl.**
USPC **D15/143**; D15/148
(58) **Field of Classification Search**
USPC D13/118, 158, 184; D15/122, 143, 148, D15/199
CPC F16H 25/20; F16H 25/24; F16H 25/2454; F16H 2025/2071; F16H 2025/2084; F16H 2025/209; F16H 2025/2463
See application file for complete search history.

2007/0169578 A1* 7/2007 Christensen F16H 25/2021 74/89.37
2017/0338714 A1* 11/2017 Jorgensen H02K 7/116
2018/0045285 A1* 2/2018 Wu F16H 57/021
2018/0187759 A1* 7/2018 Smith H02P 29/032
2020/0132175 A1* 4/2020 Knudsen A47C 20/041
2020/0340557 A1* 10/2020 Jensch H02K 7/116

OTHER PUBLICATIONS

Thomson Electrak® HD Linear Actuator—Dec. 5, 2017; 3 pgs.; https://www.thomsonlinear.com/downloads/actuators/Electrak_HD_Actuator_bren.pdf.
OEM Off—Highway review of Thomson HD Linear Actuator; Dec. 5, 2017; 1 pg.; file:///C:/Users/ssikder/Documents/e-Red%20Folder/29711592/Thomson%20Electrak%C2%Ae%20HD%20Linear%20Actuator-12-5-2017.pdf.*

* cited by examiner

Primary Examiner — Selina Sikder
(74) *Attorney, Agent, or Firm* — Chun-Ming Shih; HDLS IPR Services

(57) **CLAIM**

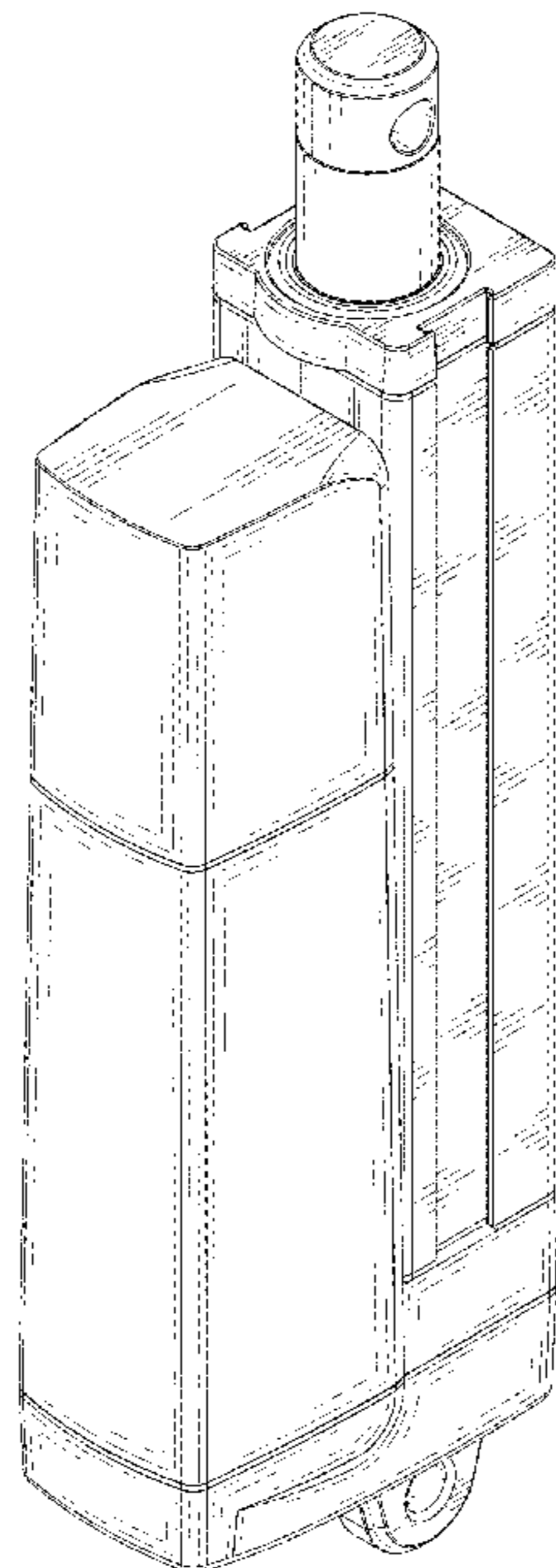
The ornamental design for an electric actuator, as shown and described.

DESCRIPTION

FIG. 1 is a perspective view of an electric actuator showing my new design;
FIG. 2 is a front view thereof;
FIG. 3 is a rear view thereof;
FIG. 4 is a left side view thereof;
FIG. 5 is a right side view thereof;
FIG. 6 is a top view thereof;
FIG. 7 is a bottom view thereof; and,
FIG. 8 is a second perspective view showing the electric actuator.

1 Claim, 8 Drawing Sheets

(56) **References Cited**
U.S. PATENT DOCUMENTS
D523,880 S * 6/2006 Christensen D15/143
D635,600 S * 4/2011 Wu D15/143
8,495,924 B2 * 7/2013 Fukano F16H 25/2454 74/89.23
D695,798 S * 12/2013 Wu D15/143
D776,729 S * 1/2017 Wu D15/143
D792,491 S * 7/2017 Lin D15/143
D806,151 S * 12/2017 Landerholm D15/143
D809,038 S * 1/2018 Zhuang D15/148
D839,937 S * 2/2019 Zhuang D15/143
D855,670 S * 8/2019 Zhuang D15/148



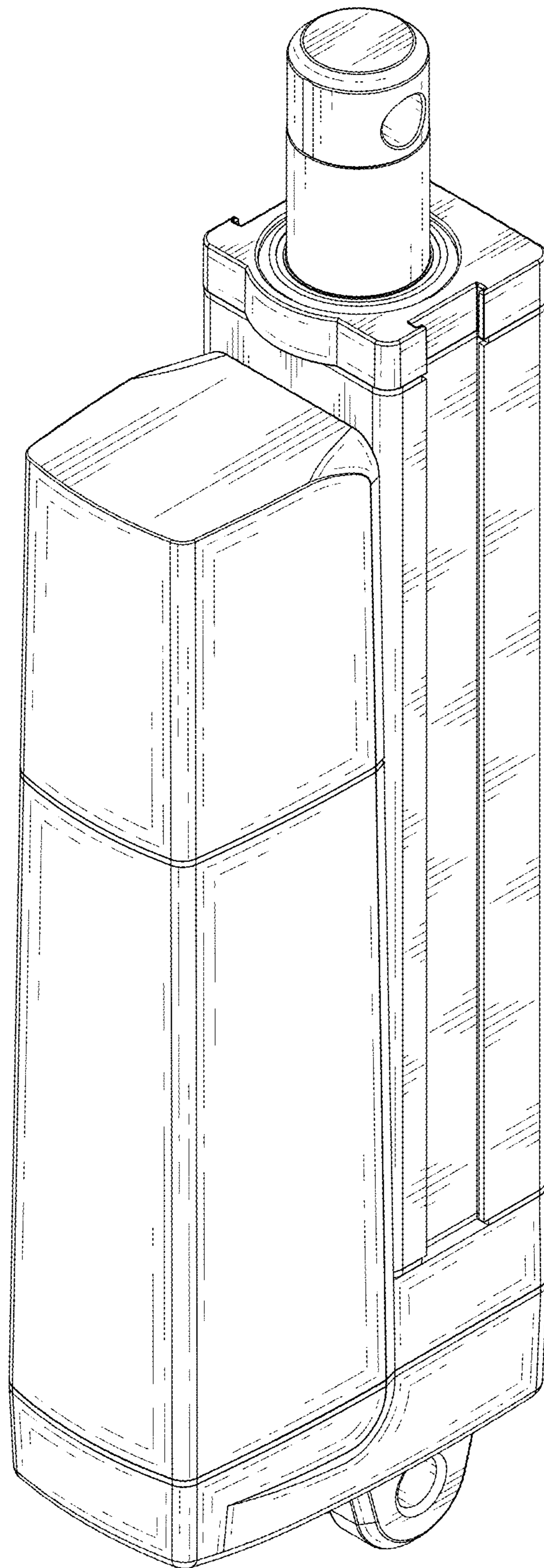


FIG.1

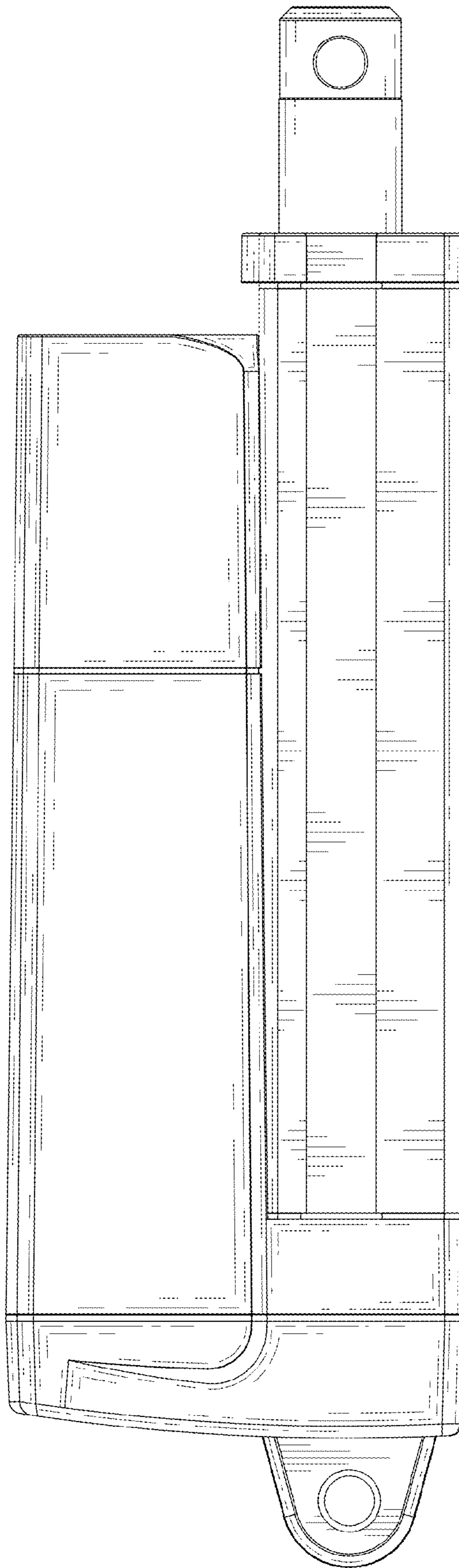


FIG.2

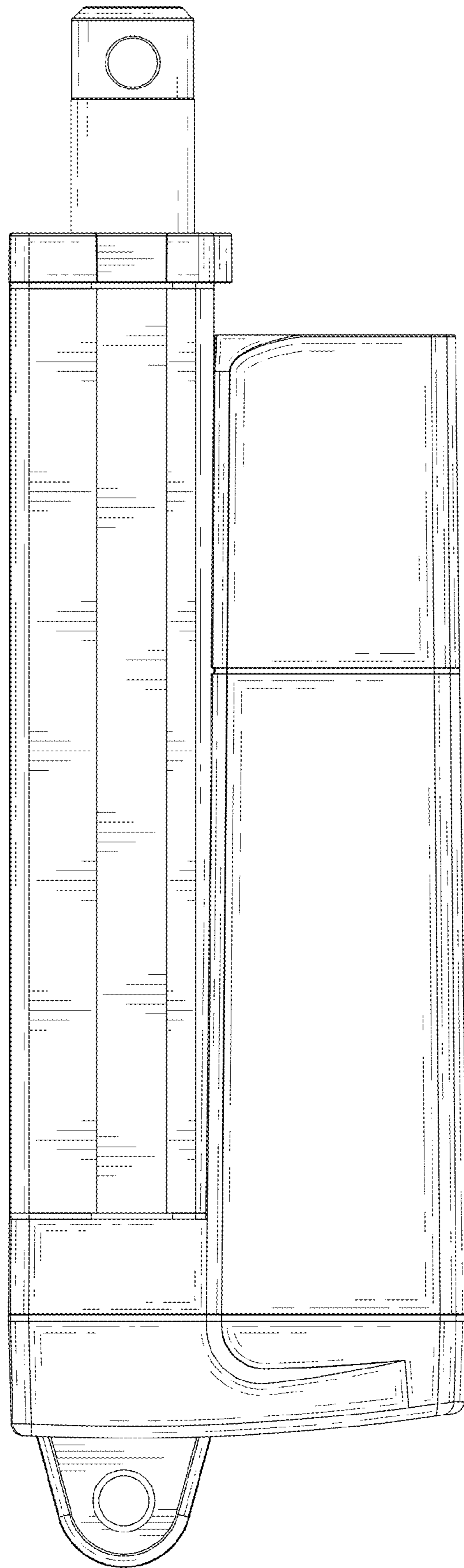


FIG.3

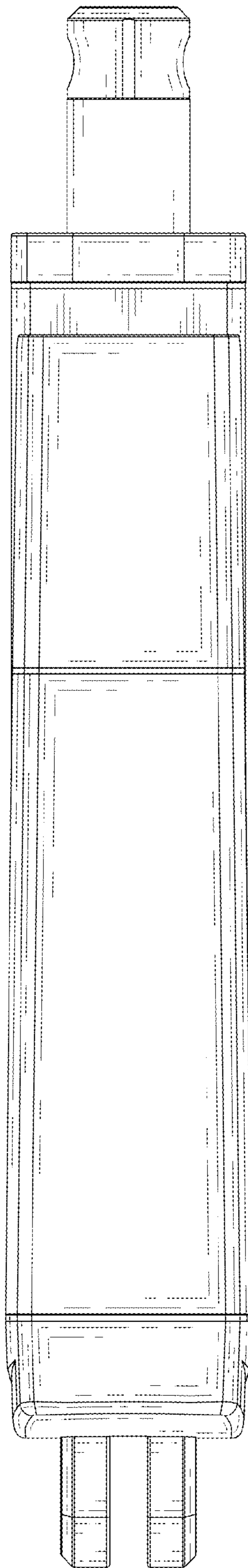


FIG.4

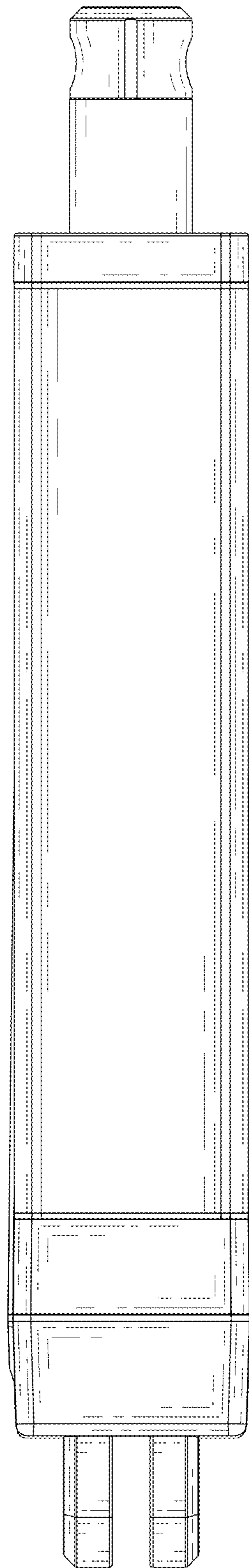


FIG.5

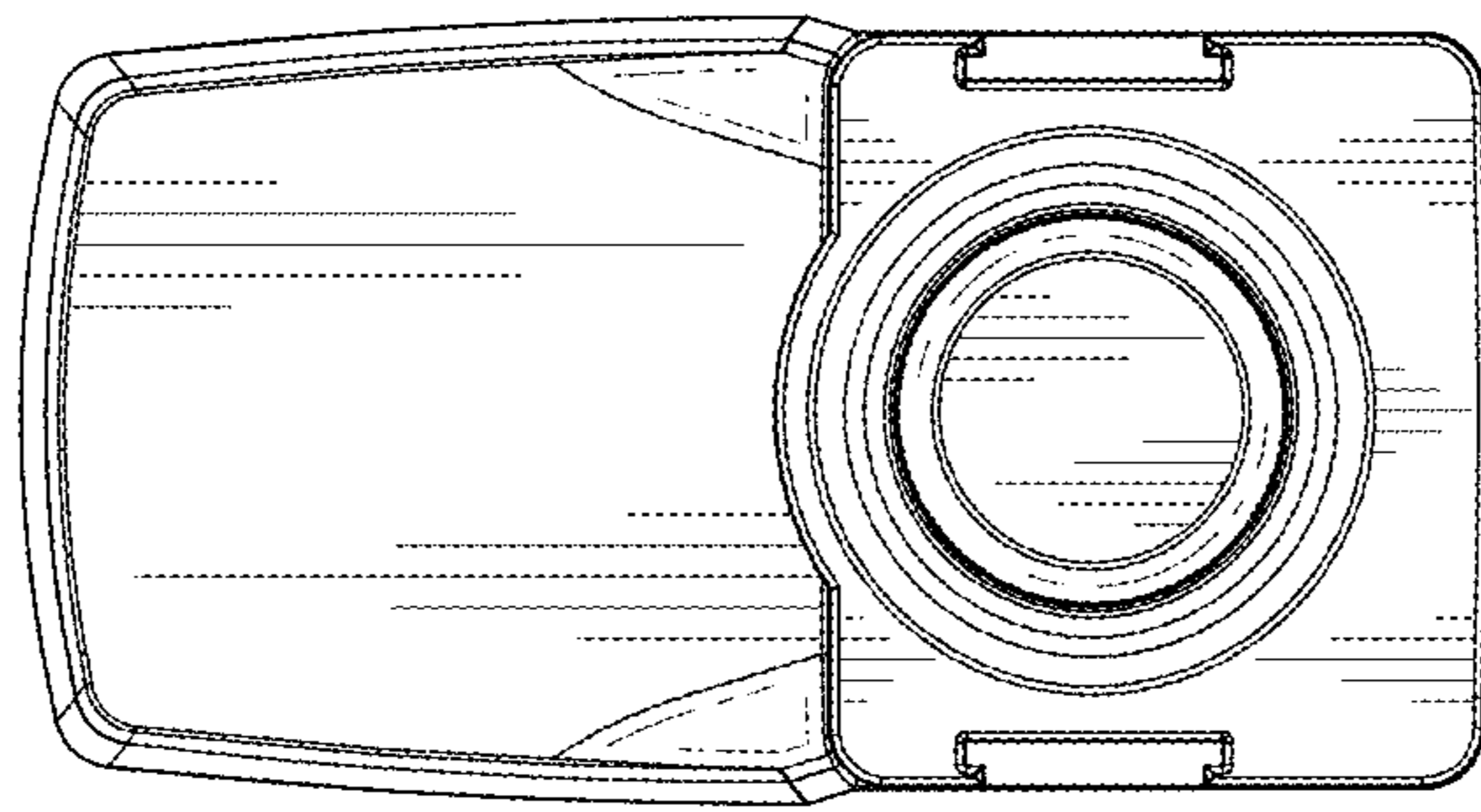


FIG.6

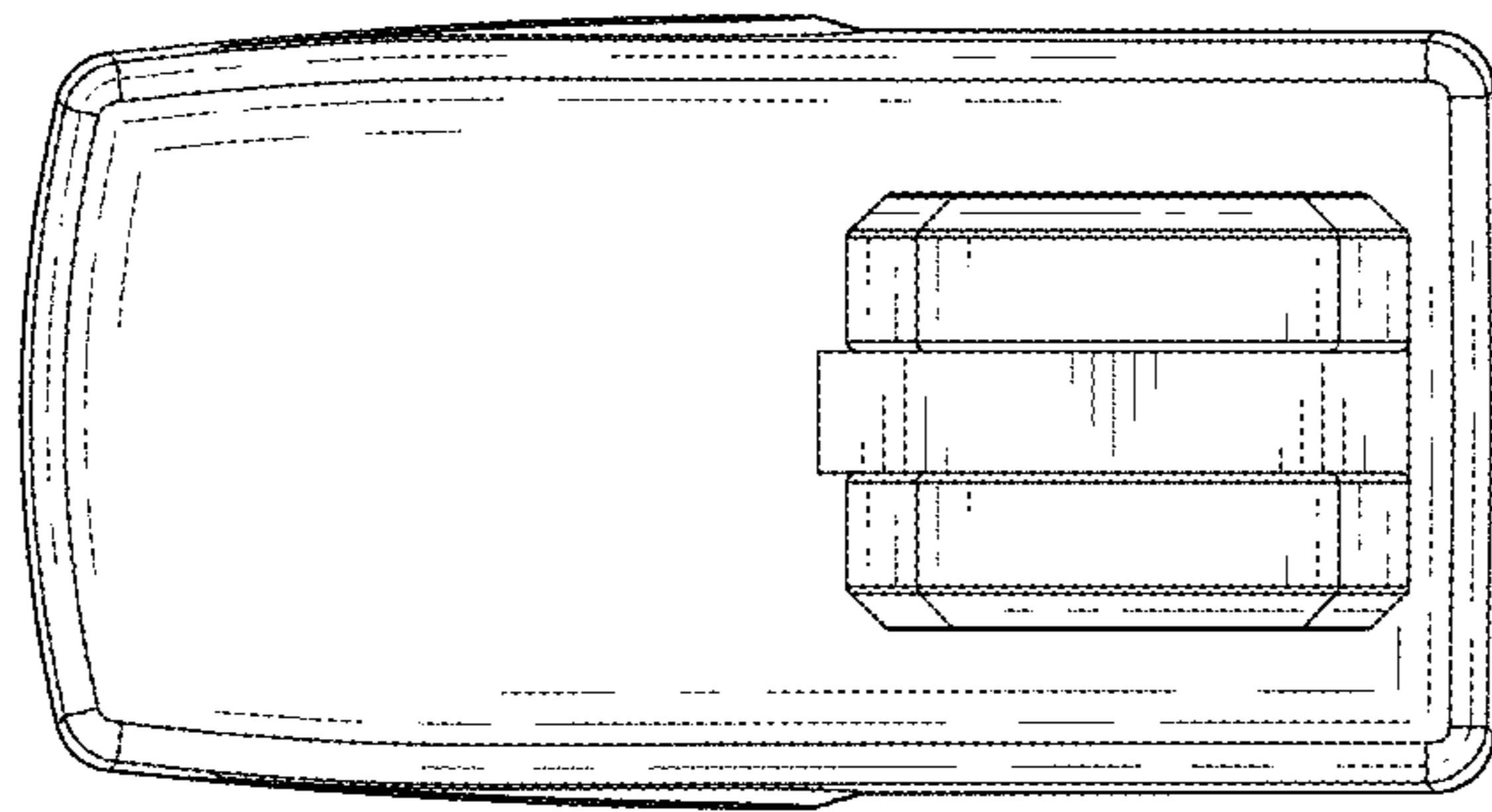


FIG.7

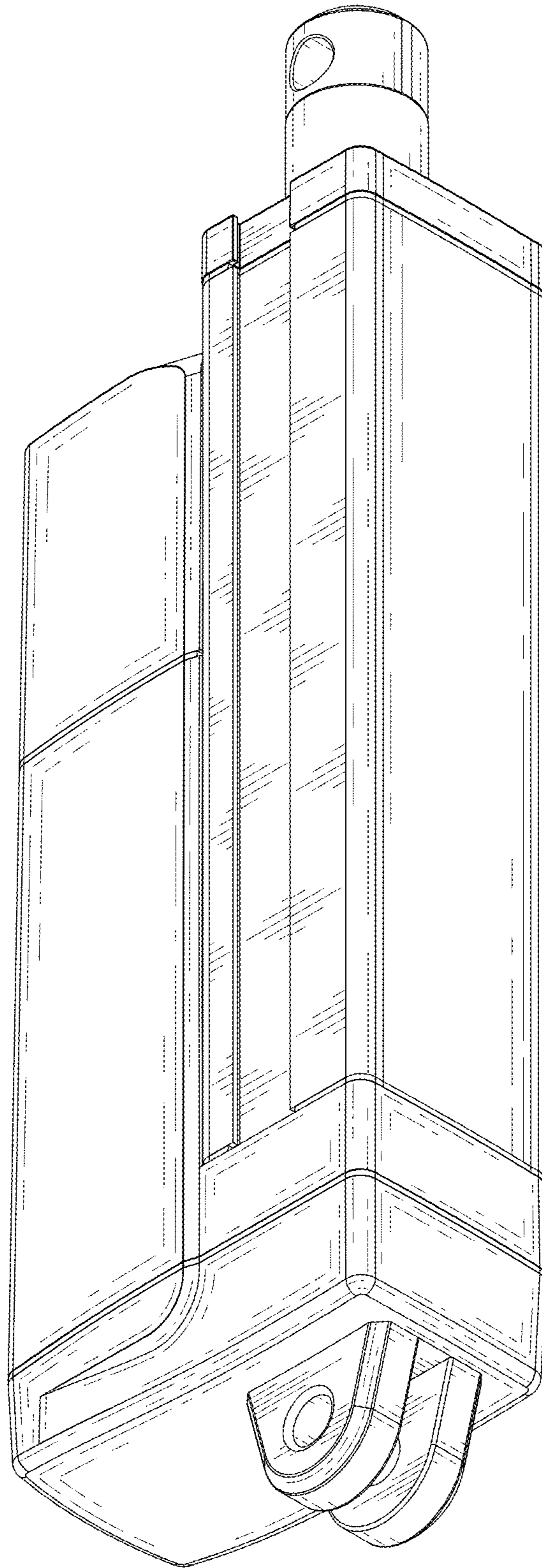


FIG.8