



US00D912708S

(12) **United States Design Patent** (10) **Patent No.:** **US D912,708 S**
Weinberg (45) **Date of Patent:** **** Mar. 9, 2021**

(54) **CUTTING INSERT**

FOREIGN PATENT DOCUMENTS

(71) Applicant: **Illinois Tool Works Inc.**, Glenview, IL (US)

DE 8609264 5/1986
DE 29711754 12/1997

(Continued)

(72) Inventor: **Jeremy Edward Weinberg**, Oak Park, IL (US)

OTHER PUBLICATIONS

(73) Assignee: **ILLINOIS TOOL WORKS INC.**, Glenview, IL (US)

Int'l Search Report and Written Opinion Appln No. PCT/US2018/063319 dated Mar. 13, 2019 (8 pgs).

(**) Term: **15 Years**

Primary Examiner — Patricia A Palasik

(21) Appl. No.: **29/730,657**

(74) *Attorney, Agent, or Firm* — McAndrews, Held & Malloy, Ltd.

(22) Filed: **Apr. 7, 2020**

Related U.S. Application Data

(57) **CLAIM**

(63) Continuation-in-part of application No. 29/628,022, filed on Nov. 30, 2017, now Pat. No. Des. 880,547.

The ornamental design for a cutting insert, as shown and described.

(51) **LOC (13) Cl.** **15-09**

(52) **U.S. Cl.**
USPC **D15/139**

(58) **Field of Classification Search**
USPC D8/20, 70; D15/126, 131, 138, 139, 140
CPC B23C 5/109; B23C 5/207
See application file for complete search history.

DESCRIPTION

(56) **References Cited**

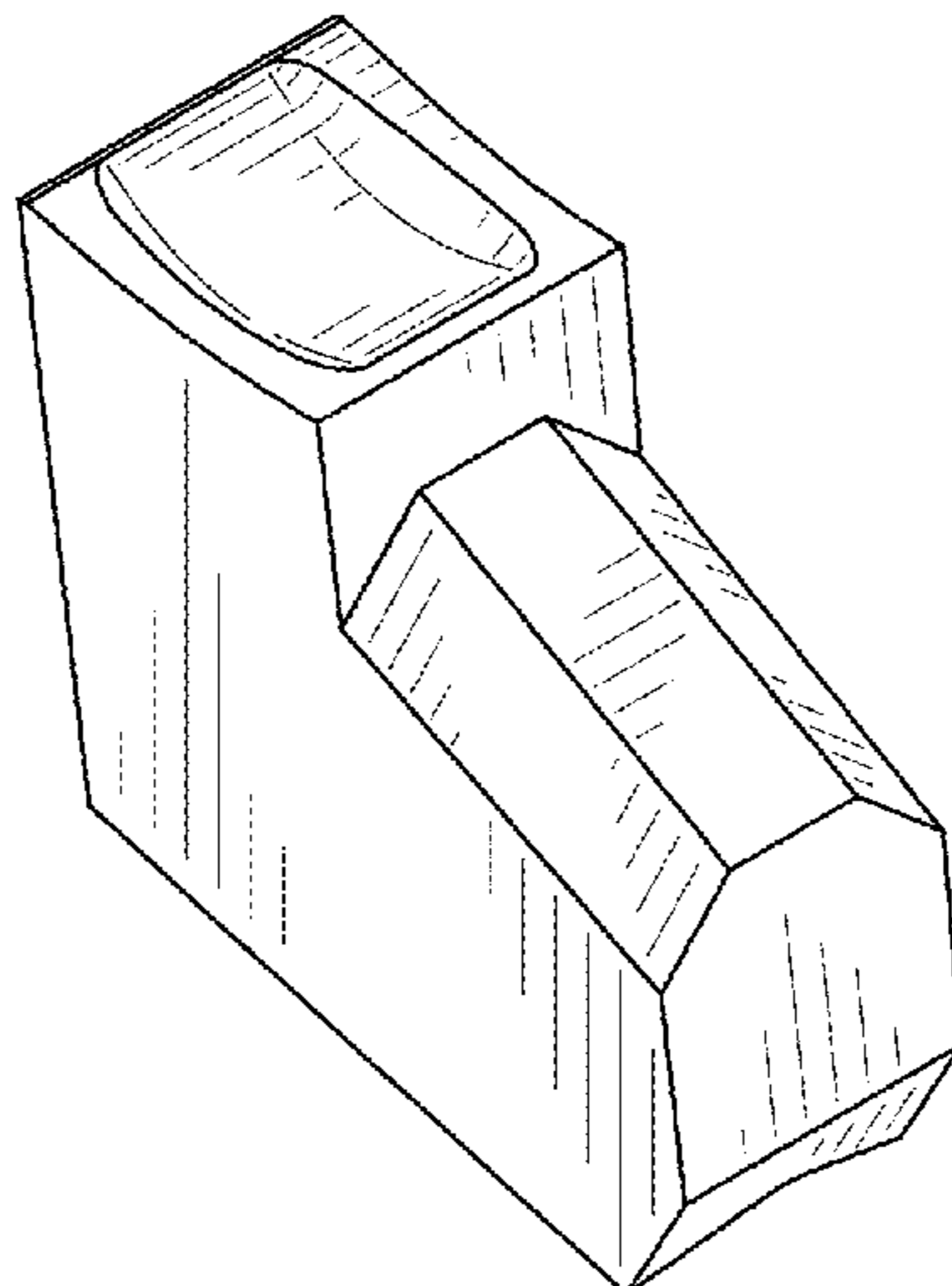
U.S. PATENT DOCUMENTS

1,912,666 A	6/1933	Swanson
2,677,170 A	5/1954	Kuns
D191,308 S	9/1961	Key
3,254,392 A	6/1966	Novkov
3,518,737 A	7/1970	Hood
3,660,877 A	5/1972	Stein
3,748,710 A	7/1973	Lynch
3,785,021 A	1/1974	Norgren
4,051,584 A	10/1977	Huser
4,195,956 A	4/1980	Mihic
D255,801 S	7/1980	Treloar
D275,760 S	10/1984	Cochran
D278,716 S	5/1985	Pano

(Continued)

FIG. 1 is a top perspective view of a cutting insert showing my new design;
FIG. 2 is a right-side elevation view thereof;
FIG. 3 is a left-side elevation view thereof;
FIG. 4 is a rear elevation view thereof;
FIG. 5 is a front elevation view thereof;
FIG. 6 is a top plan view thereof;
FIG. 7 is a bottom plan view thereof; and,
FIG. 8 is a top perspective view of the cutting insert of FIGS. 1-7 installed into a cutting tool or tool holder, which is illustrated along with a second cutting insert installed into the cutting tool or tool holder to provide example environment.
The broken line showing of the cutting tool or tool holder and the second cutting insert in FIG. 8 is for the purpose of illustrating environmental structure that forms no part of the claimed design.

1 Claim, 4 Drawing Sheets



(56)

References Cited

U.S. PATENT DOCUMENTS

D281,432 S 11/1985 Tuomaala
 4,580,930 A 4/1986 Zinner
 D284,011 S 5/1986 Pano
 4,668,132 A 5/1987 Villa
 4,778,311 A 10/1988 Niemi
 4,801,224 A 1/1989 Pettersson
 4,830,548 A 5/1989 Kandarian
 D306,032 S 2/1990 Mihic
 4,909,677 A 3/1990 Noguchi
 5,073,739 A 12/1991 Iijima
 5,076,739 A 12/1991 Pano
 D328,605 S 8/1992 Bohannan
 D329,439 S 9/1992 Gustafsson
 D329,858 S 9/1992 Gustafsson
 D329,859 S 9/1992 Gustafsson
 D330,033 S 10/1992 Gustafsson
 D330,381 S 10/1992 Gustafsson
 D330,901 S 11/1992 Gustafsson
 5,161,920 A 11/1992 Zinner
 D338,477 S 8/1993 Mihic
 D343,400 S 1/1994 Lindstedt
 5,315,908 A 5/1994 Mihic
 D350,549 S 9/1994 Lindstedt
 5,346,335 A 9/1994 Harpaz
 5,411,354 A 5/1995 Gustafsson
 D381,027 S 7/1997 Mihic
 5,688,080 A 11/1997 Hedlund
 D389,161 S 1/1998 Jonsson
 5,743,680 A 4/1998 Von Haas
 5,795,109 A 8/1998 Jonsson
 5,921,724 A 7/1999 Erickson
 5,934,843 A 8/1999 Brask
 5,993,118 A 11/1999 Brask
 6,113,319 A 9/2000 Hansson

6,234,727 B1 5/2001 Barazani
 6,249,950 B1 6/2001 Brask
 D452,870 S 1/2002 Hansson
 D466,537 S 12/2002 Hansson
 D470,516 S 2/2003 Andersson
 6,702,529 B1 3/2004 Taegtstroem Paer
 D502,473 S 3/2005 Tong
 D527,400 S 8/2006 Konet
 D535,312 S 1/2007 Simpson, III
 7,163,361 B2 1/2007 Hecht
 D537,854 S 3/2007 Tong
 7,326,007 B2 2/2008 Hecht
 D607,025 S 12/2009 Niemi
 D616,003 S 5/2010 Ueda
 8,376,664 B2 2/2013 Hecht
 8,926,233 B2 1/2015 Kaufmann
 9,403,214 B2 8/2016 Hecht
 D805,565 S 12/2017 Min
 D880,547 S * 4/2020 Weinberg D15/139
 2005/0207854 A1 9/2005 Hecht
 2006/0159527 A1 7/2006 Nagaya
 2009/0142149 A1 6/2009 Niemi
 2009/0285645 A1 11/2009 Hecht
 2015/0063929 A1 3/2015 Hecht
 2015/0246397 A1 9/2015 Voege

FOREIGN PATENT DOCUMENTS

EP 0059602 9/1982
 EP 2730356 5/2014
 FR 2580531 10/1986
 JP H01149204 6/1989
 JP H09234609 9/1997
 JP 07115251 5/2007
 WO 2005087415 9/2005
 WO 2017135291 8/2017

* cited by examiner

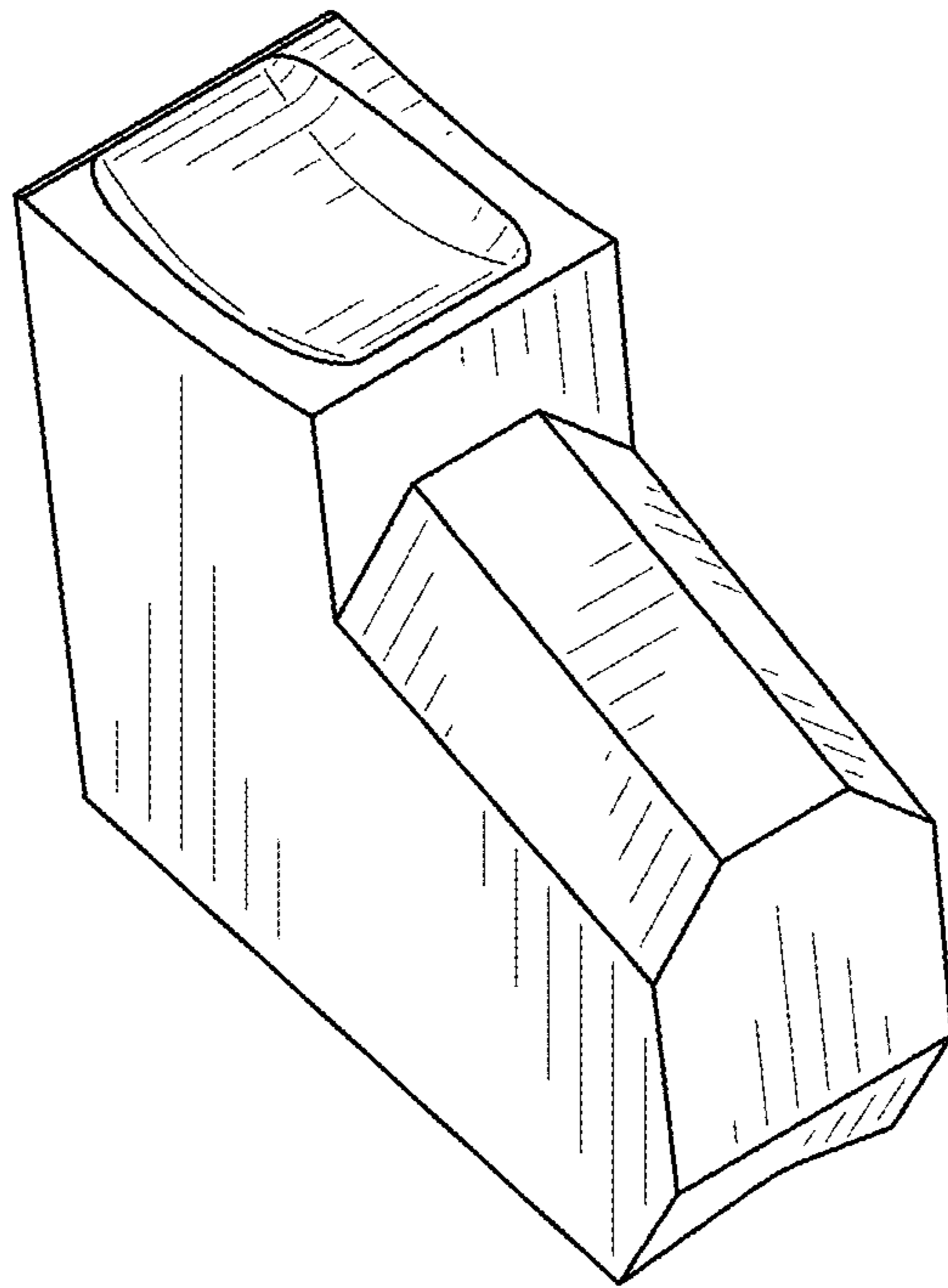


FIG. 1

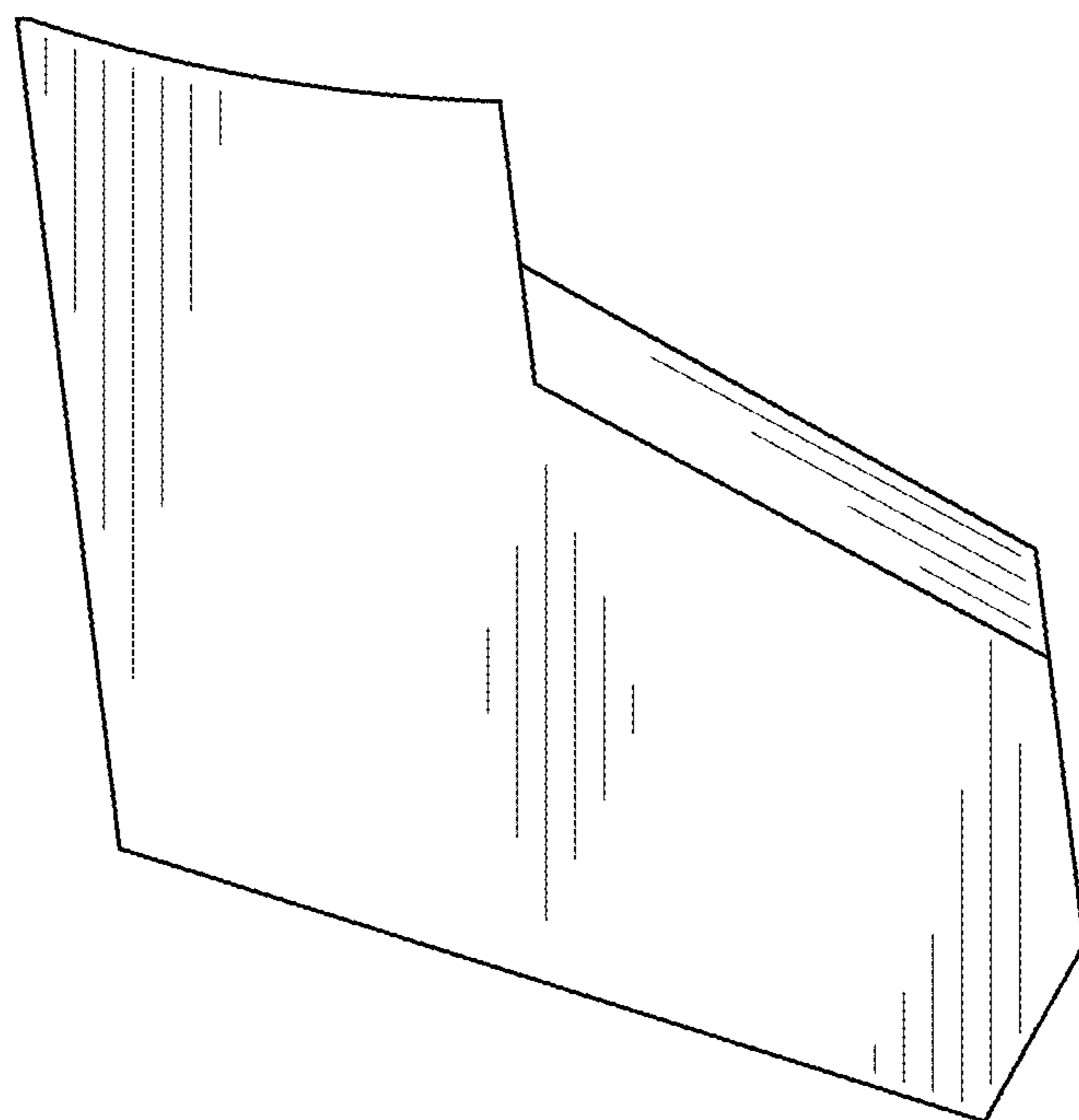


FIG. 2

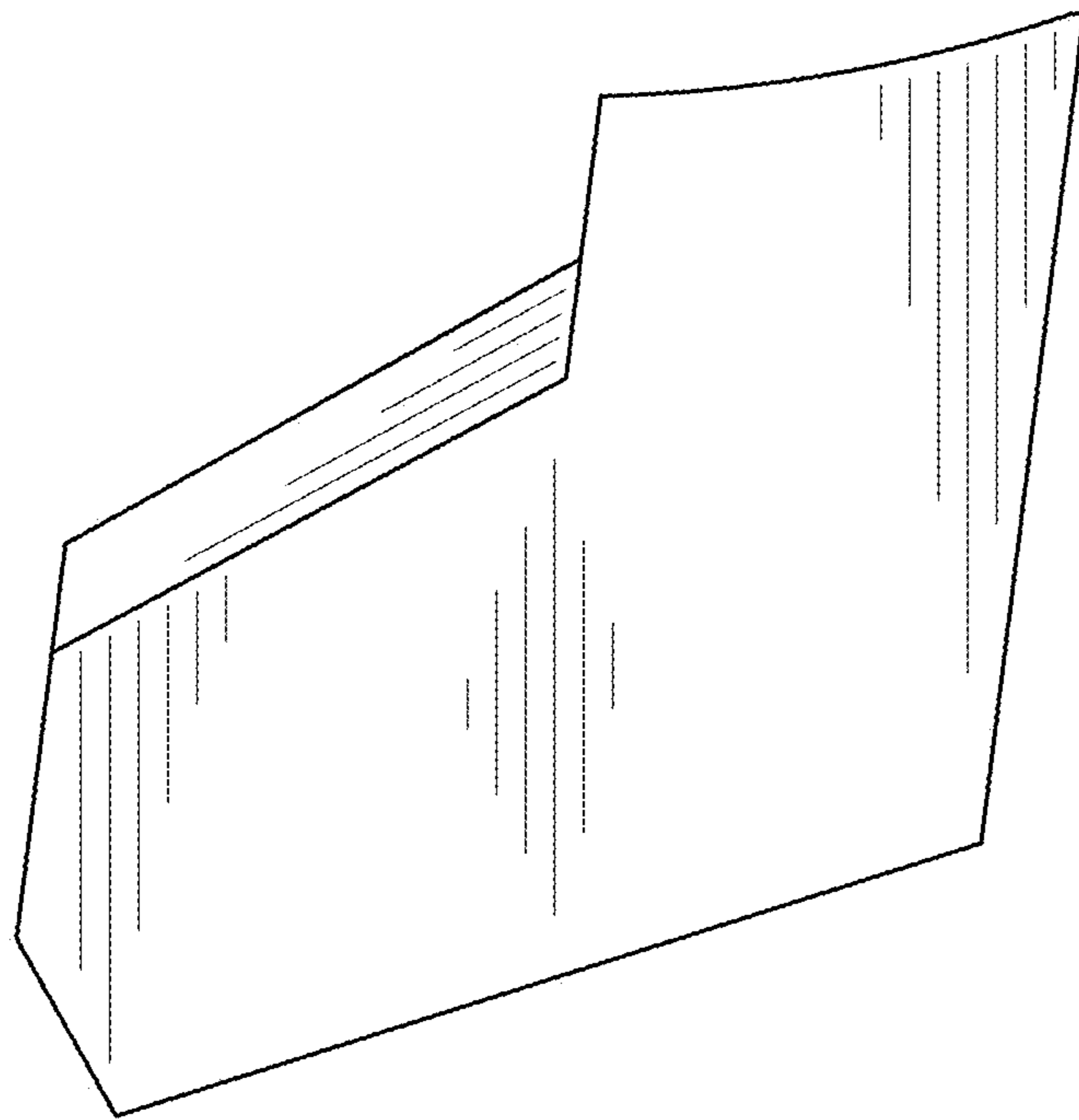


FIG. 3

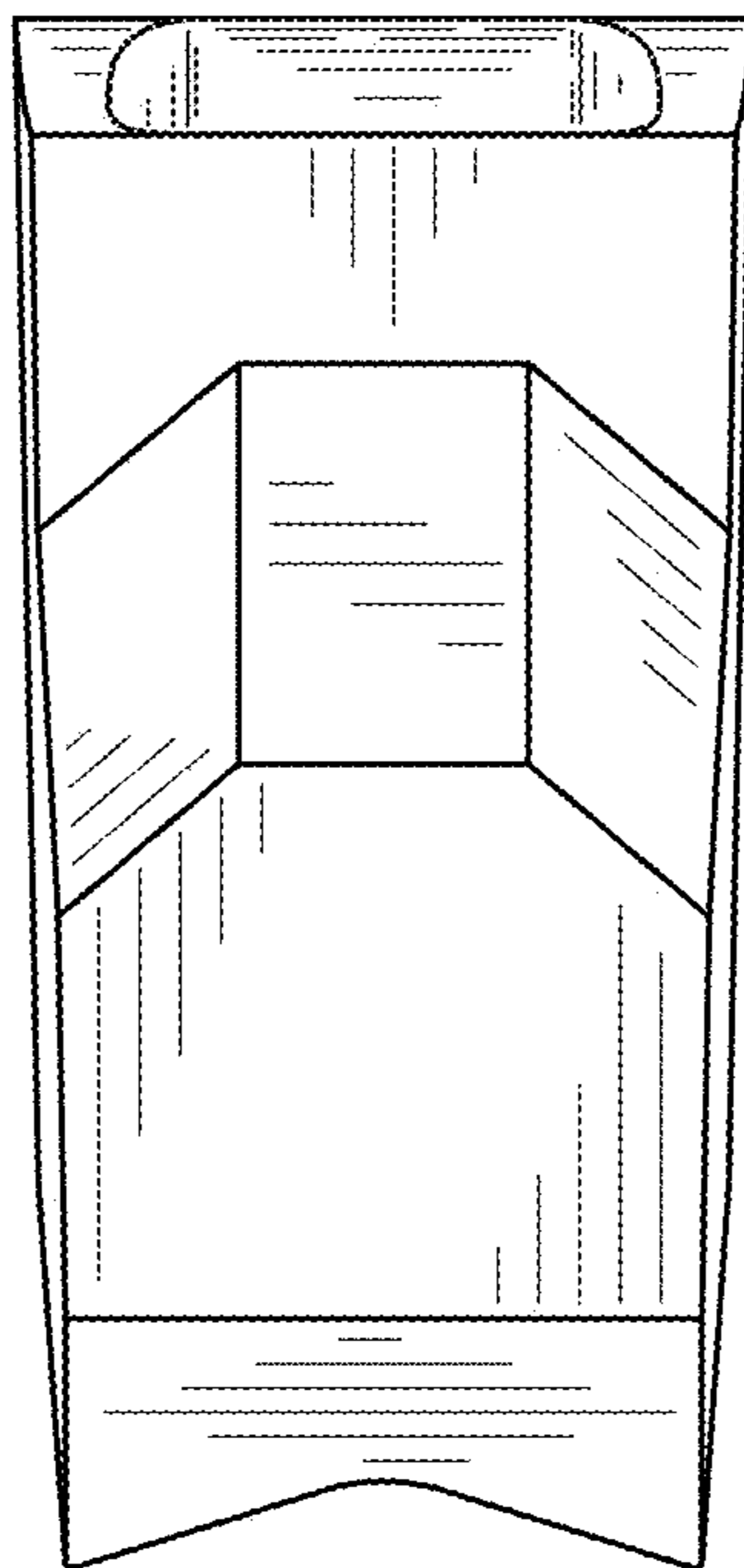


FIG. 4

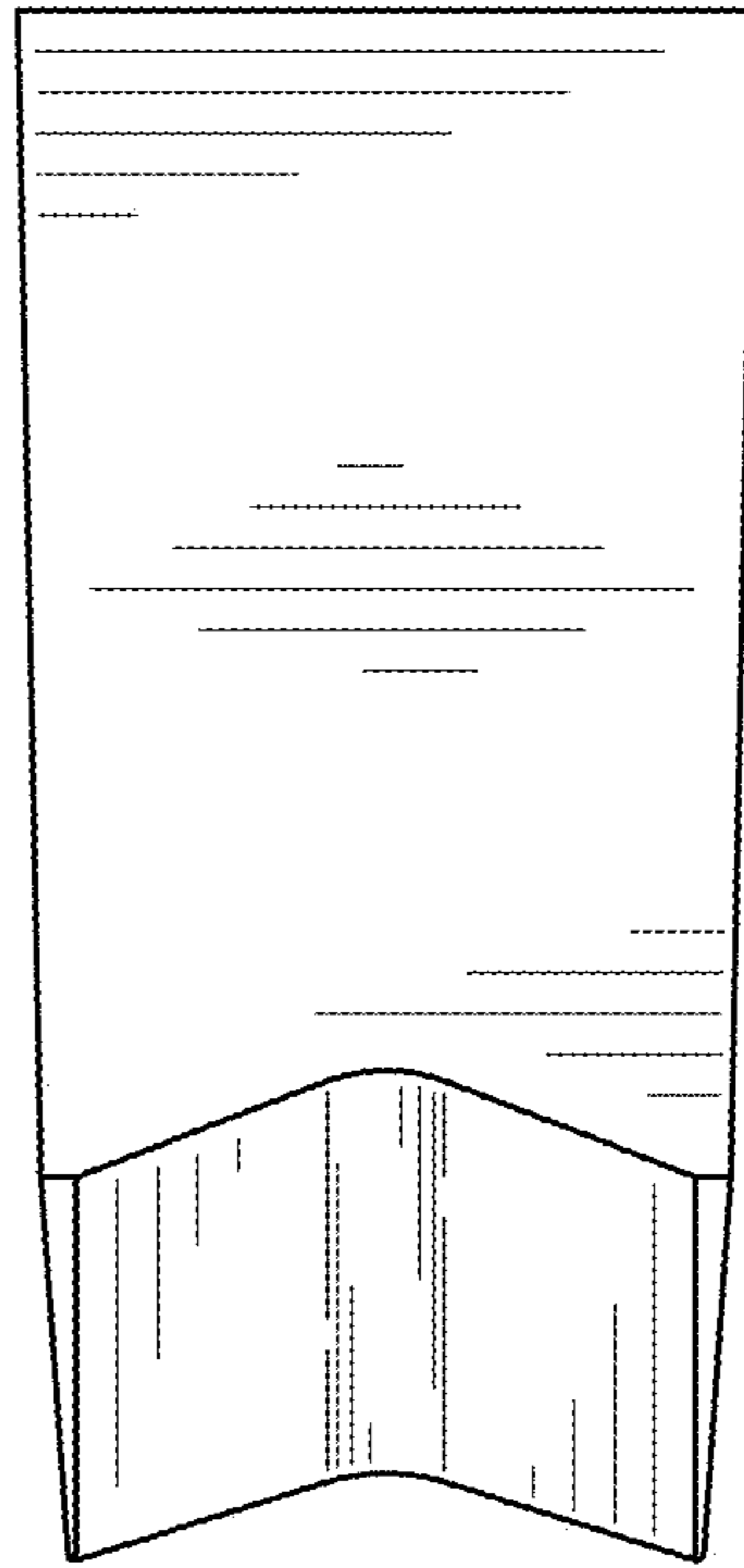


FIG. 5

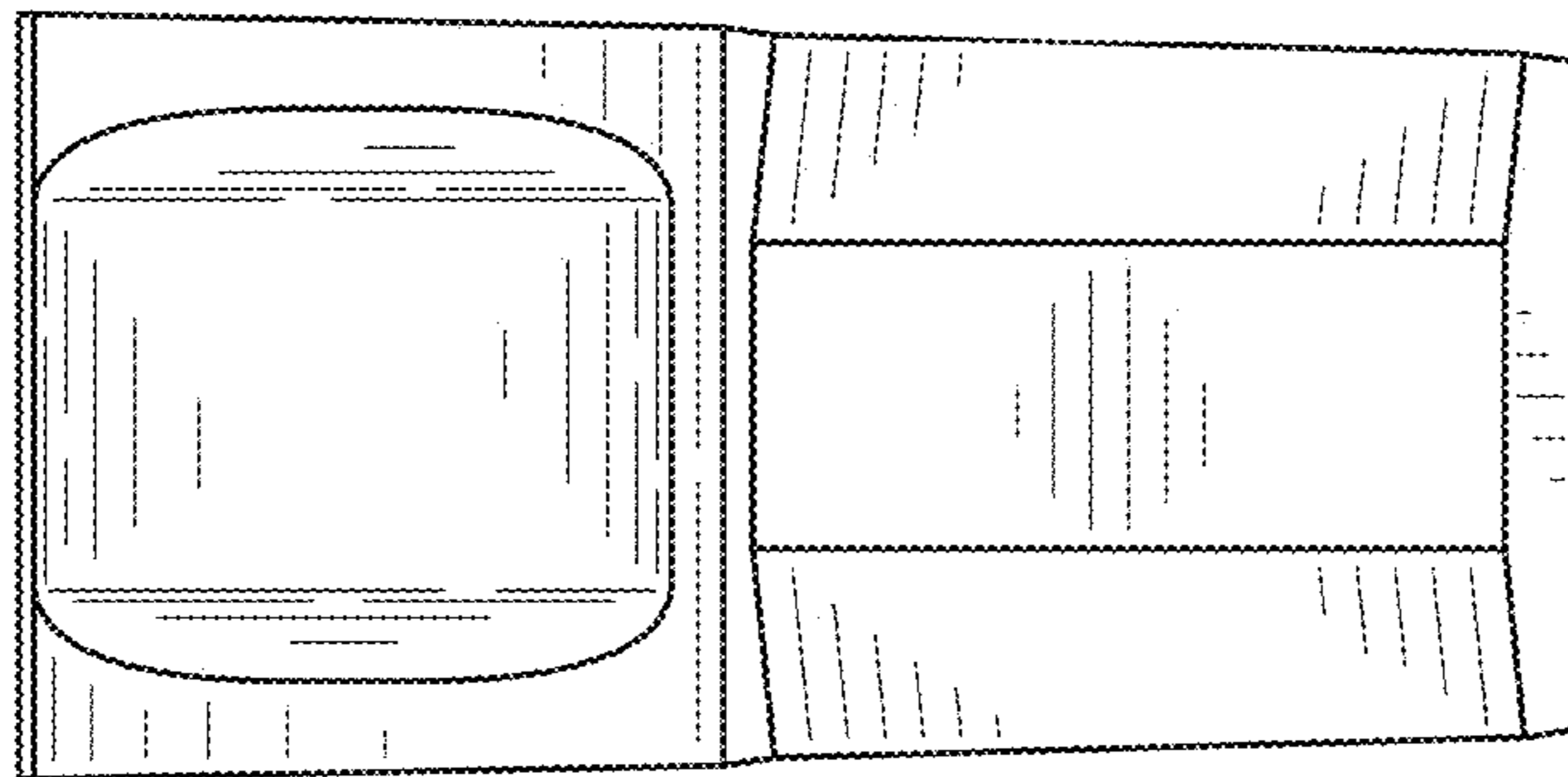


FIG. 6

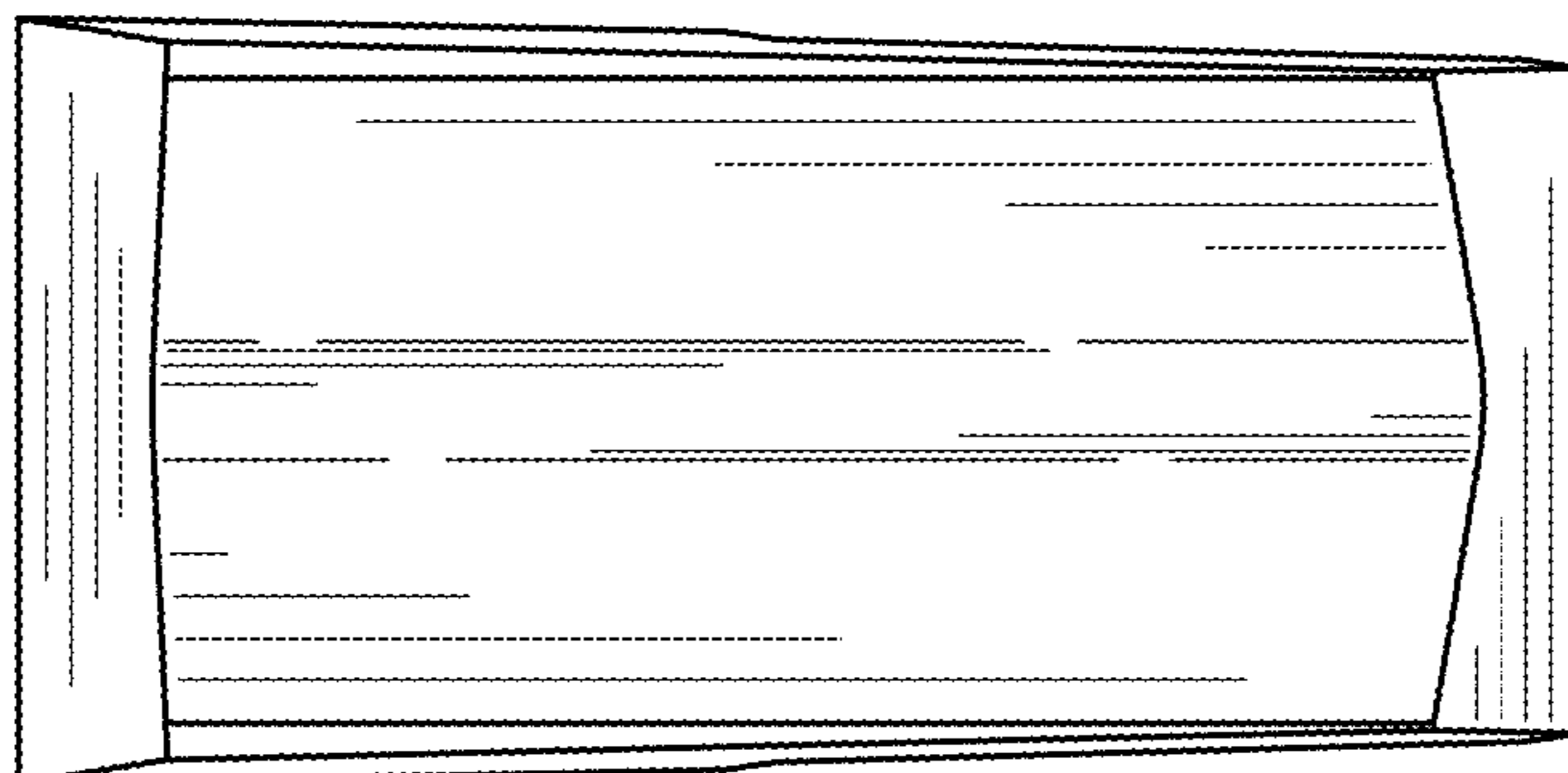


FIG. 7

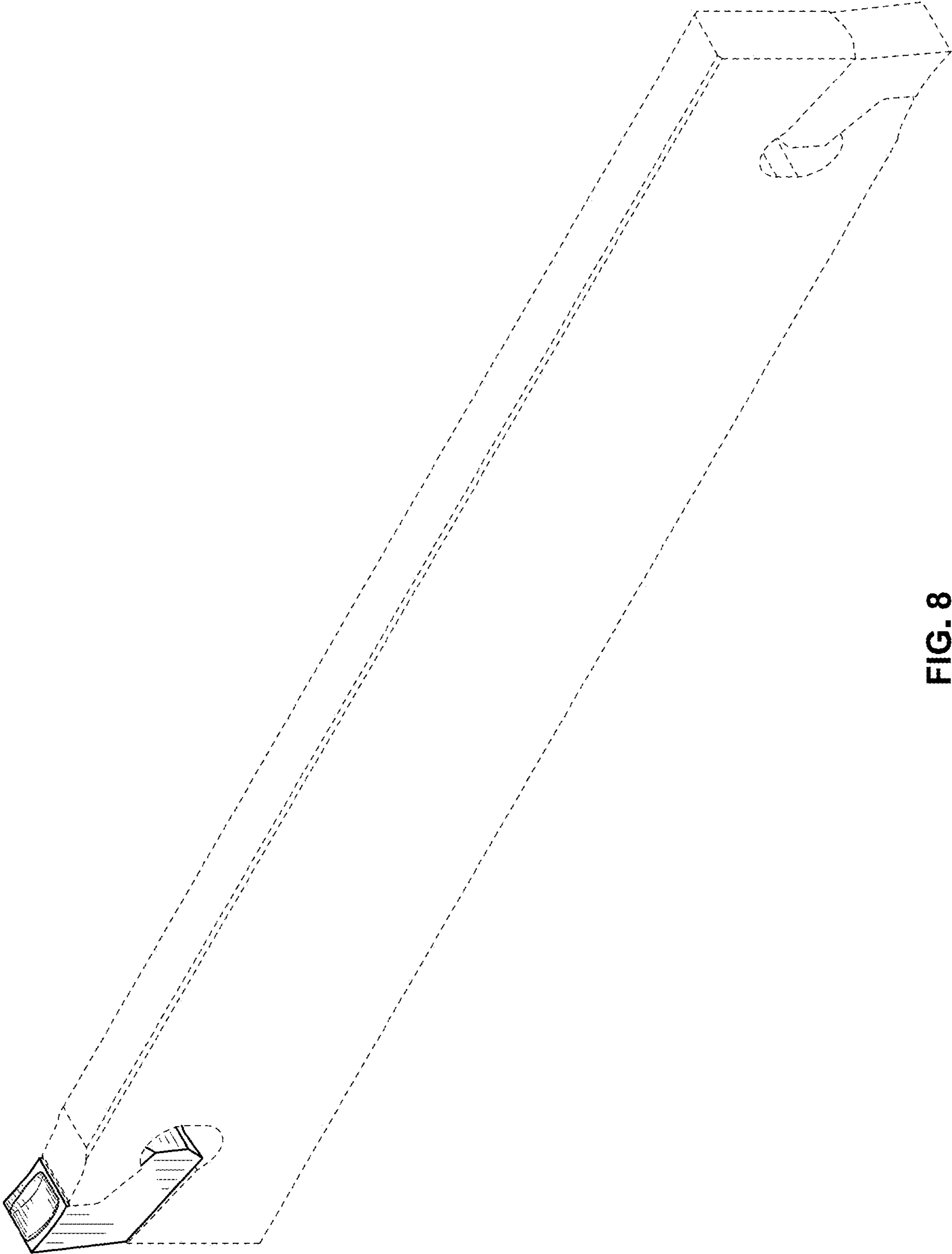


FIG. 8