



US00D912706S

(12) **United States Design Patent** (10) **Patent No.:** **US D912,706 S**  
**Stanley et al.** (45) **Date of Patent:** **\*\* Mar. 9, 2021**

(54) **LAND CLEARING TOOL**  
(71) Applicant: **Fecon, LLC**, Lebanon, OH (US)  
(72) Inventors: **Jeffrey T. Stanley**, Lebanon, OH (US);  
**Steven K. Watson, III**, Lebanon, OH (US)  
(73) Assignee: **Fecon, LLC**, Lebanon, OH (US)  
(\*\*) Term: **15 Years**  
(21) Appl. No.: **29/701,497**  
(22) Filed: **Aug. 12, 2019**

4,621,955 A 11/1986 Briese  
4,667,713 A 5/1987 Wright  
4,709,737 A 12/1987 Jonsson  
4,738,291 A 4/1988 Isley  
4,932,447 A 6/1990 Morin  
5,135,035 A 8/1992 Mills  
5,205,199 A 4/1993 MacLennan  
5,207,748 A 5/1993 Katbi et al.  
5,211,212 A 5/1993 Carlson et al.  
5,307,719 A 5/1994 MacLennan  
5,333,938 A 8/1994 Gale  
5,644,965 A 7/1997 MacLennan et al.  
5,647,263 A 7/1997 Wildey  
5,873,534 A 2/1999 Shinn  
6,047,749 A 4/2000 Lamb  
6,050,752 A 4/2000 DeRoche  
6,601,620 B1 8/2003 Monyak et al.  
D486,503 S 2/2004 East  
D488,174 S 4/2004 East  
6,725,758 B2 4/2004 MacLennan et al.  
6,810,783 B1 11/2004 Larose

**Related U.S. Application Data**

(63) Continuation of application No. 29/646,058, filed on May 1, 2018, now Pat. No. Des. 861,740.  
(51) **LOC (13) Cl.** ..... **15-03**  
(52) **U.S. Cl.**  
USPC ..... **D15/28**; D15/29  
(58) **Field of Classification Search**  
USPC ..... D15/20, 21, 28, 29; 172/548, 540, 122, 172/554; 241/294, 242, 300, 189, 194, 241/195; 37/454, 453, 456, 452; 404/121, 235, 24.12, 34.1, 4.1; 144/241, 144/235, 24.12, 34.1, 4.1; 83/840; 56/13.6  
CPC ..... E02F 9/2833; E02F 9/2841; E02F 9/28; B02C 18/18; B02C 18/16; B02C 18/14; B02C 18/06; B02C 18/146; B02C 18/184; B02C 18/145; B02C 1/10  
See application file for complete search history.

(56) **References Cited**  
U.S. PATENT DOCUMENTS

4,231,406 A 11/1980 Jonsson  
4,329,091 A 5/1982 Erkfriz

Primary Examiner — Mark A Goodwin  
(74) Attorney, Agent, or Firm — Ulmer & Berne LLP

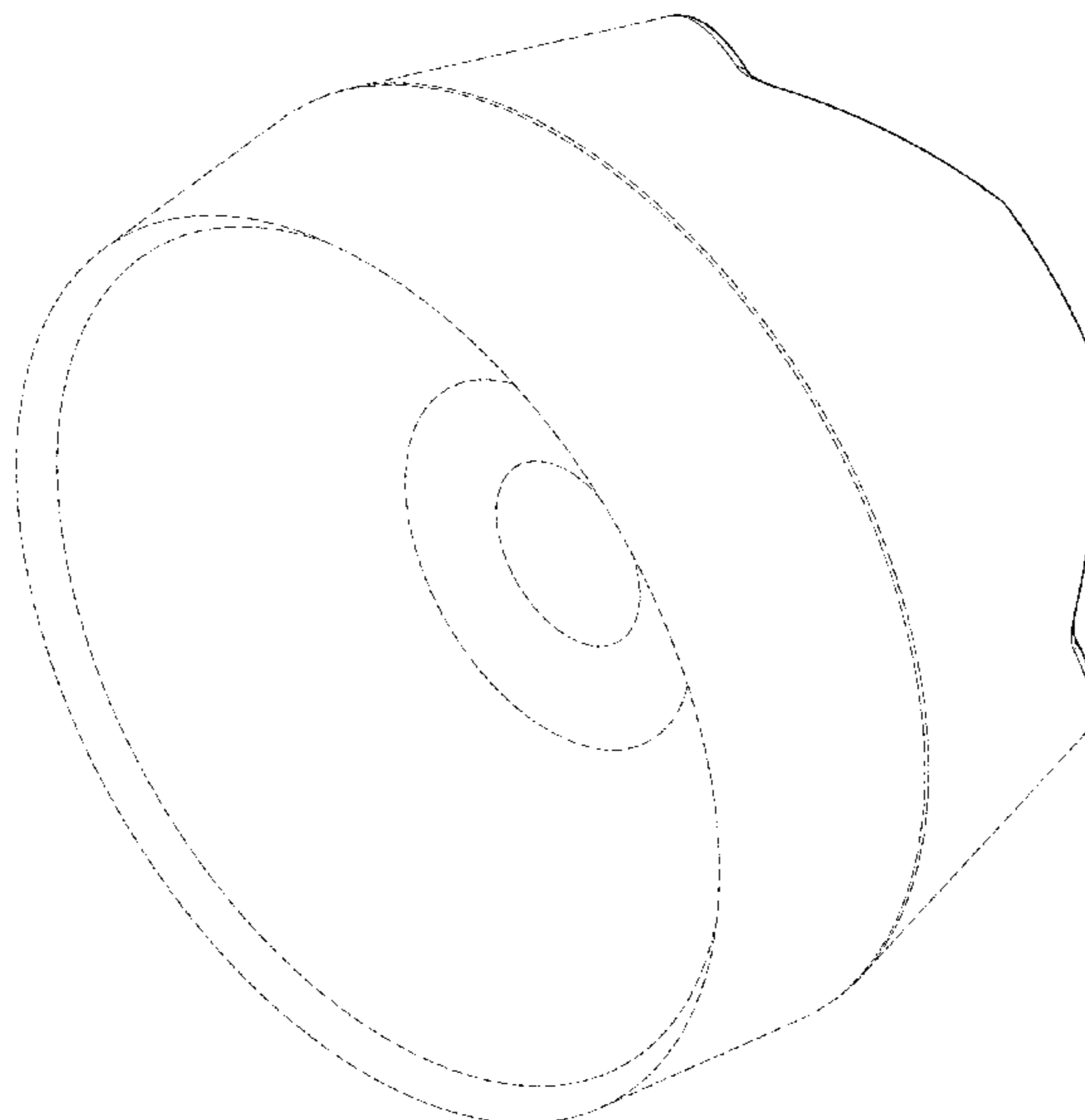
(57) **CLAIM**

The ornamental design of a land clearing tool, as shown and described.

**DESCRIPTION**

FIG. 1 is an isometric view of a land clearing tool;  
FIG. 2 is a rear isometric view thereof;  
FIG. 3 is a right side view thereof;  
FIG. 4 is a left side view thereof;  
FIG. 5 is a top view thereof;  
FIG. 6 is a bottom view thereof;  
FIG. 7 is a front view thereof; and,  
FIG. 8 is a back view thereof.  
The broken line showing in the drawings is included for the purpose of illustrating portions of a land clearing tool and forms no part of the claimed design.

**1 Claim, 8 Drawing Sheets**



(56)

References Cited

U.S. PATENT DOCUMENTS

D517,104	S	3/2006	East	
7,461,675	B2	12/2008	Eriksson	
7,634,897	B2	12/2009	MacLennan et al.	
7,713,006	B2	5/2010	MacLennan et al.	
D647,928	S	11/2011	MacLennan et al.	
8,540,033	B2	9/2013	Stanley et al.	
D757,124	S	5/2016	Stanley et al.	
D772,951	S	11/2016	Stanley et al.	
D791,195	S	7/2017	Stanley et al.	
D795,929	S	8/2017	Stanley et al.	
D795,931	S	8/2017	Stanley et al.	
D804,551	S	12/2017	Rhode	
D812,115	S	3/2018	MacLennan et al.	
D821,455	S	6/2018	Stanley et al.	
D835,680	S	12/2018	Stanley et al.	
D835,681	S	12/2018	Stanley et al.	
D835,682	S	12/2018	Stanley et al.	
D836,137	S	12/2018	Stanley et al.	
D857,768	S *	8/2019	Rhode .....	D15/139
D861,740	S	10/2019	Stanley et al.	
2003/0188619	A1 *	10/2003	MacLennan .....	B23D 61/04 83/839
2007/0151430	A1 *	7/2007	MacLennan .....	B28D 1/125 83/13
2007/0193428	A1	8/2007	MacLennan et al.	
2010/0011934	A1 *	1/2010	Micacchi .....	B27B 33/08 83/839
2010/0180735	A1 *	7/2010	MacLennan .....	A01G 23/091 83/13
2011/0100658	A1	5/2011	Stanley et al.	
2012/0291919	A1 *	11/2012	Micacchi .....	B27B 33/08 144/241
2015/0360385	A1	12/2015	Shaver et al.	

\* cited by examiner

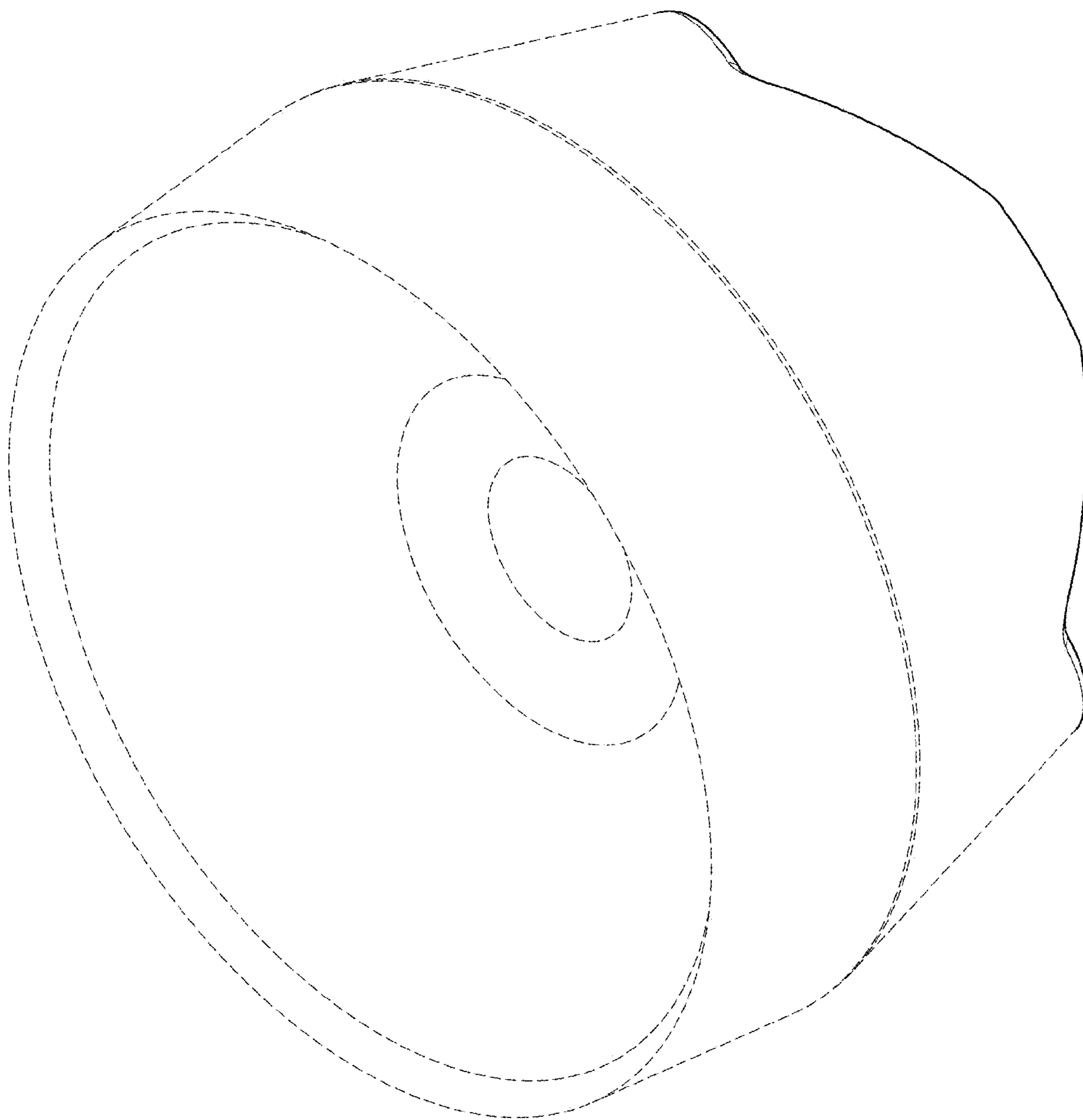


FIG. 1

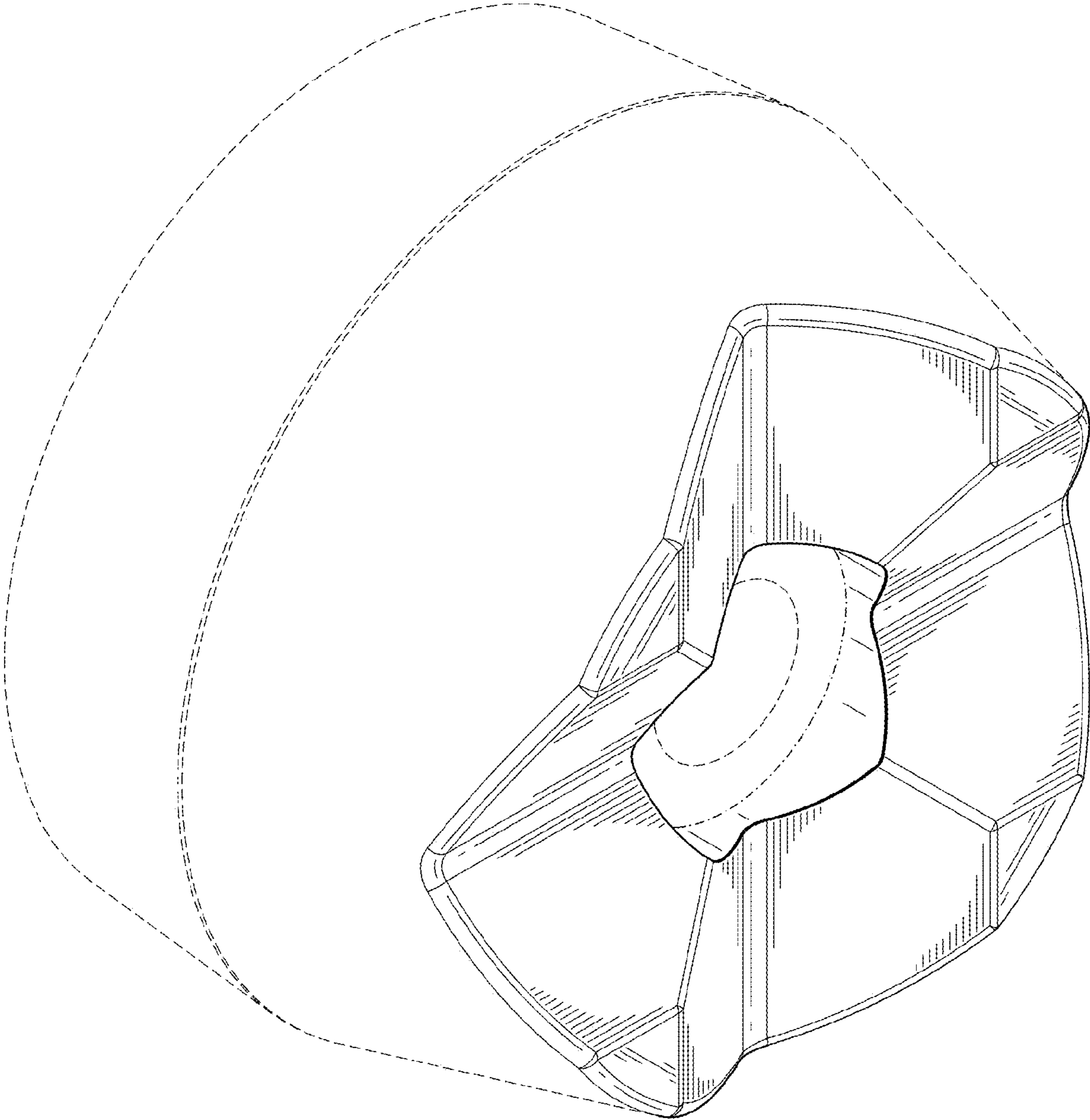


FIG. 2

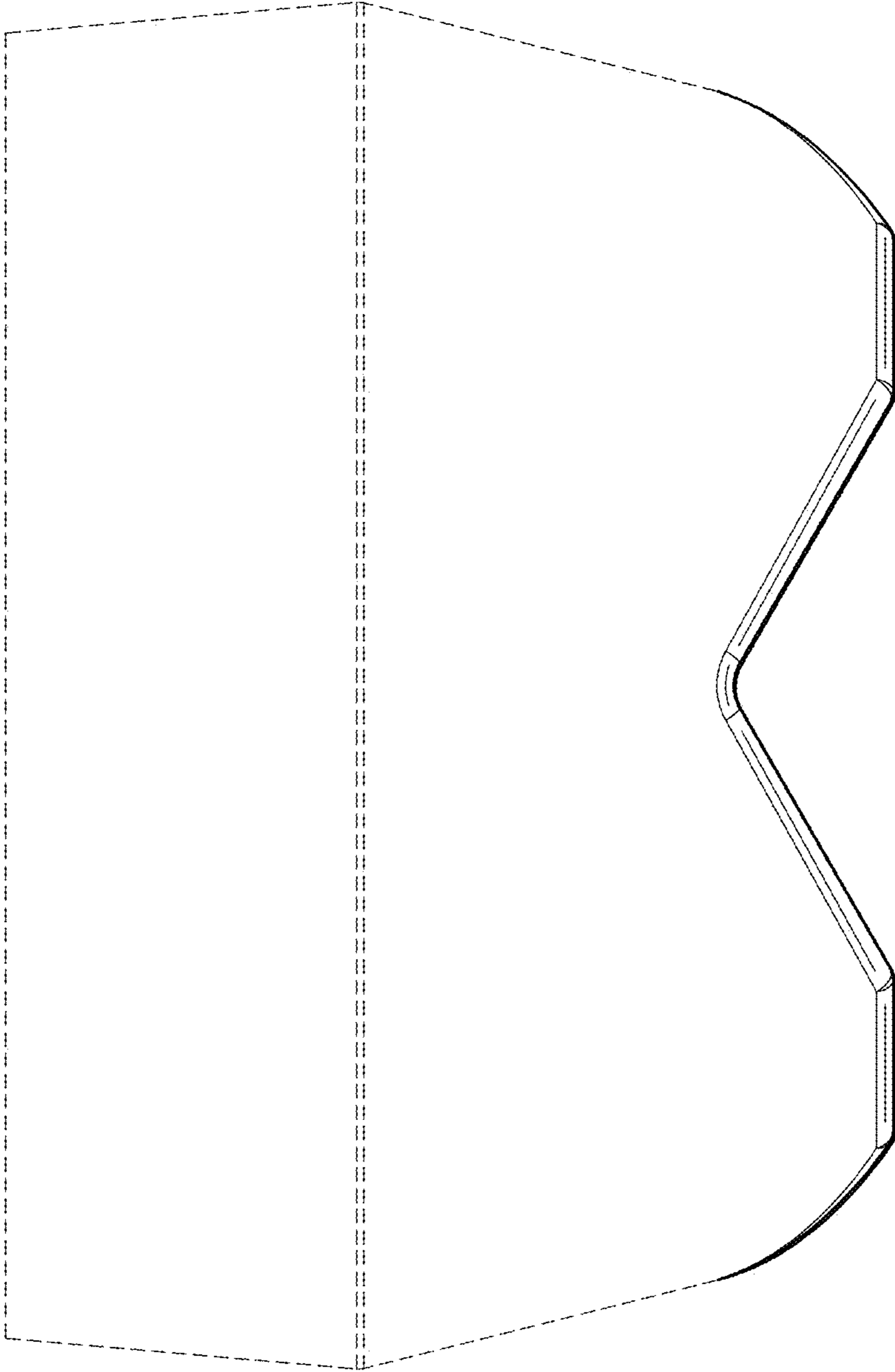


FIG. 3

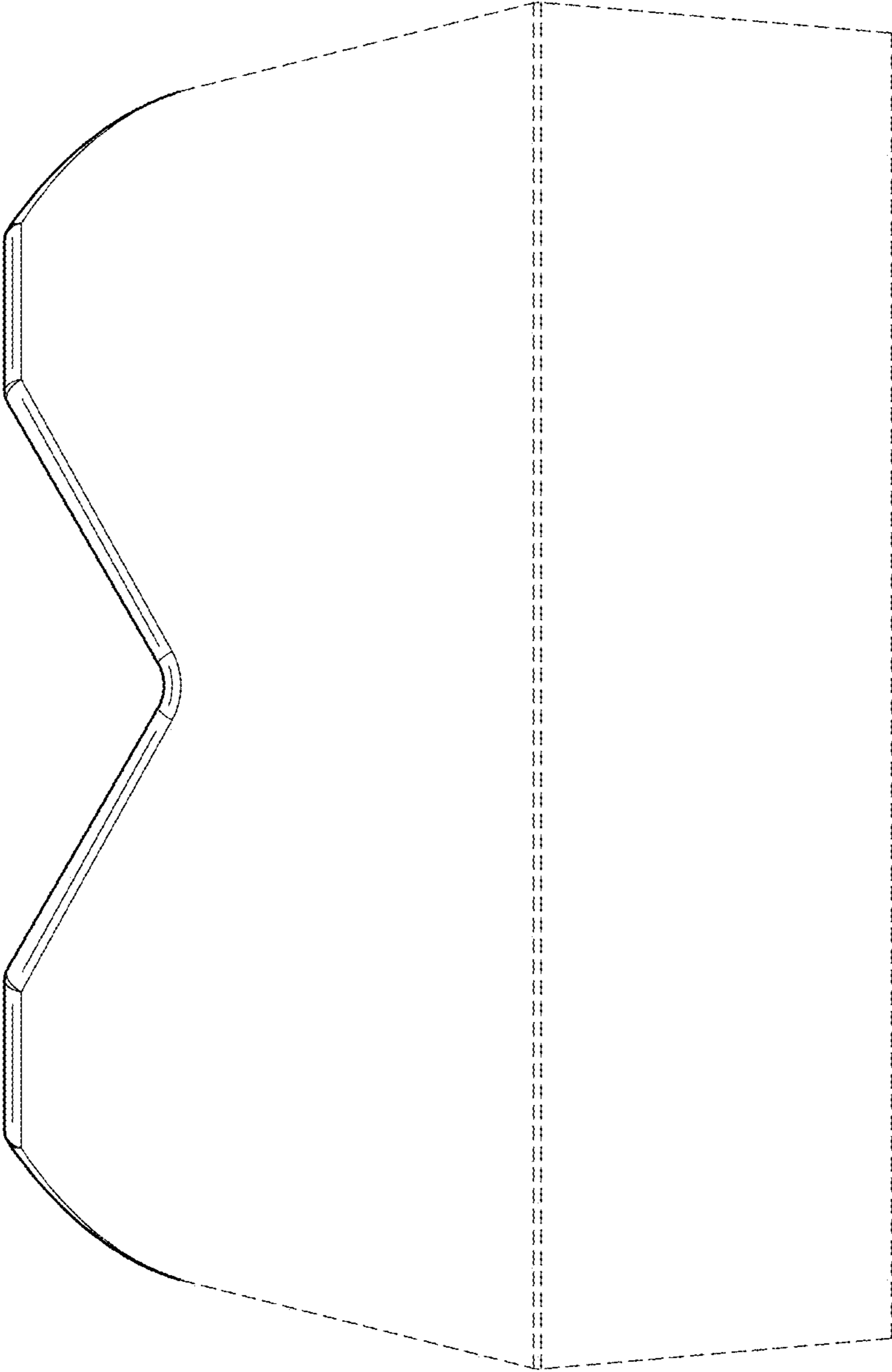


FIG. 4



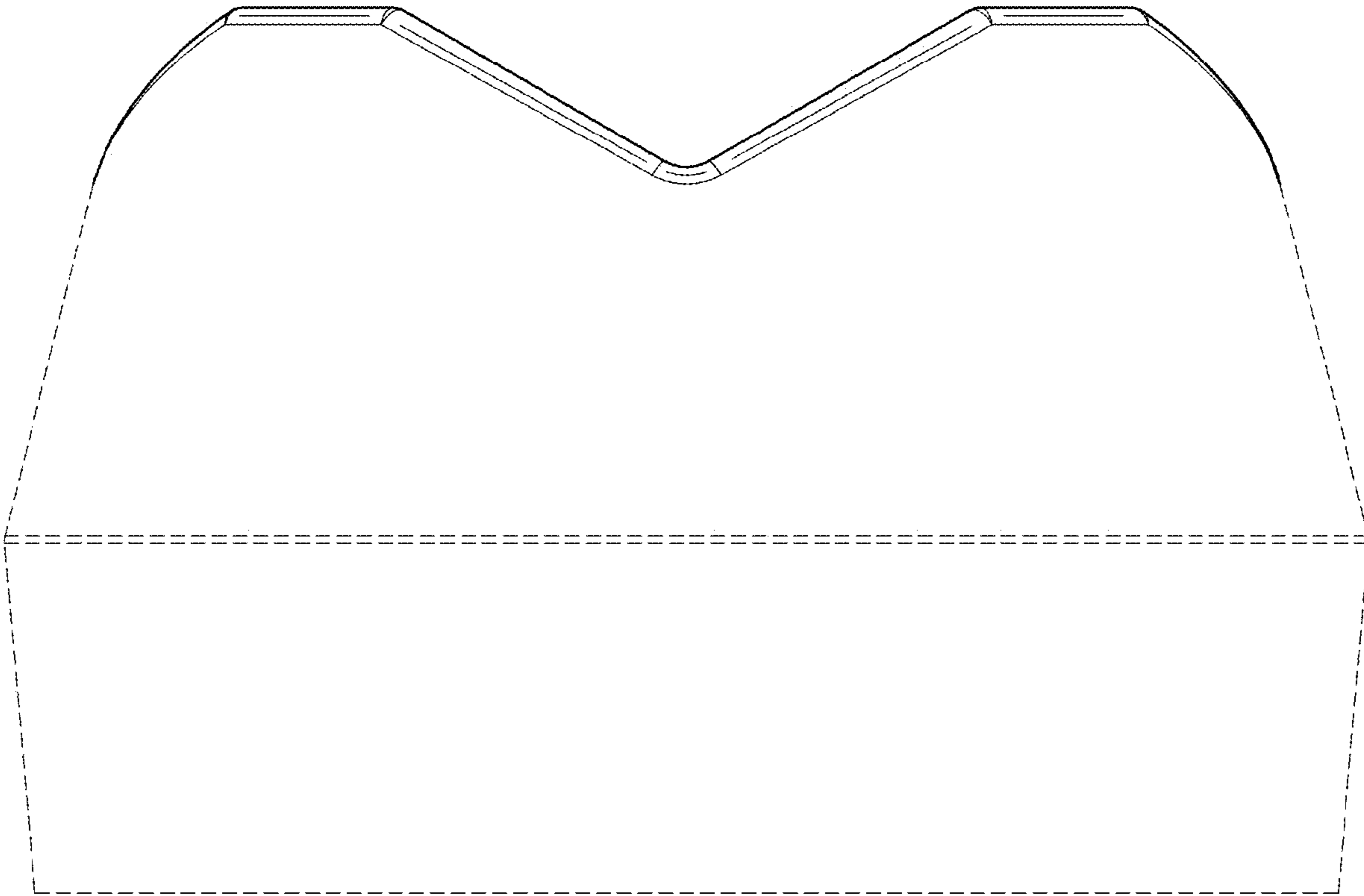


FIG. 5

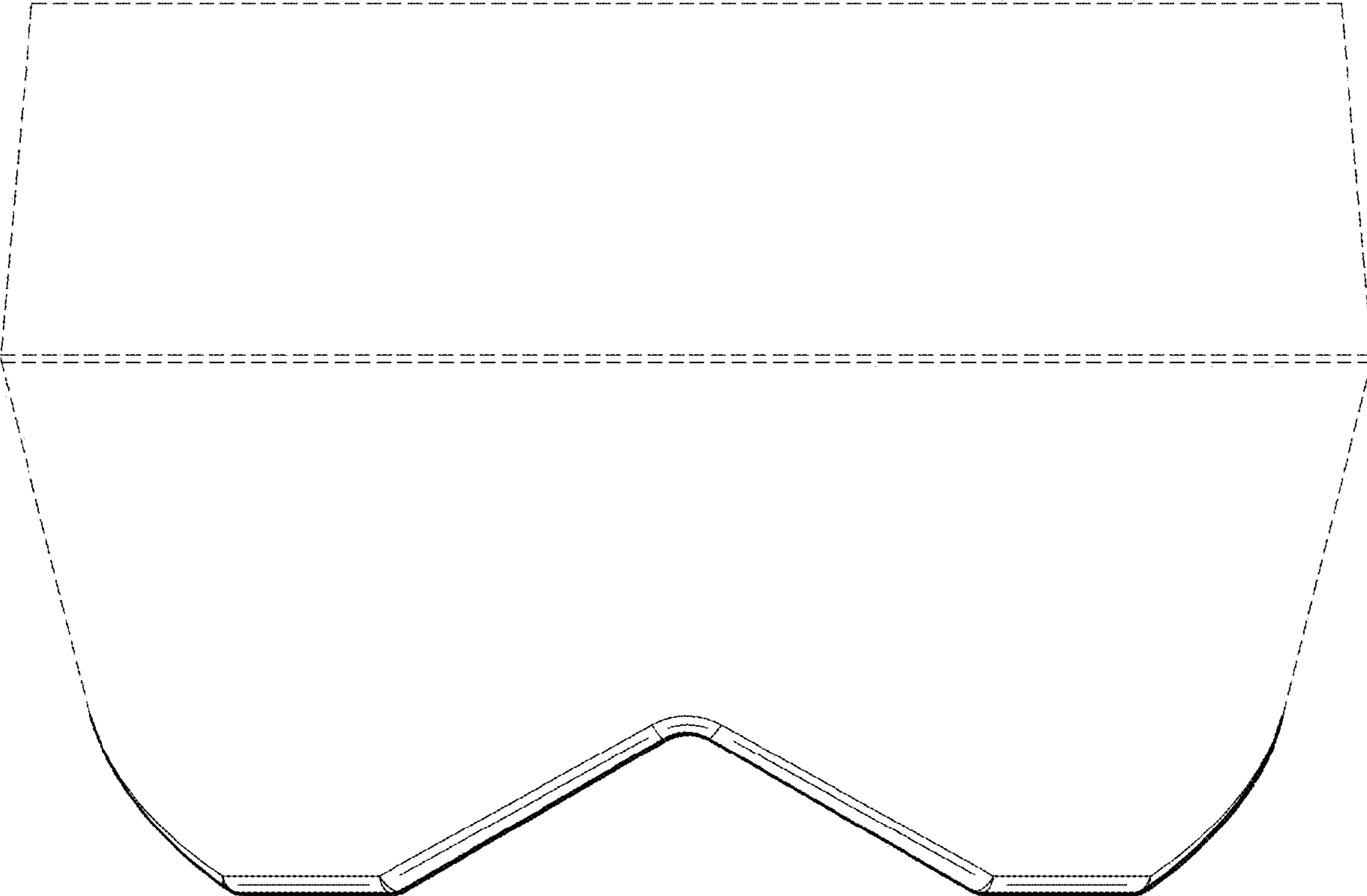


FIG. 6



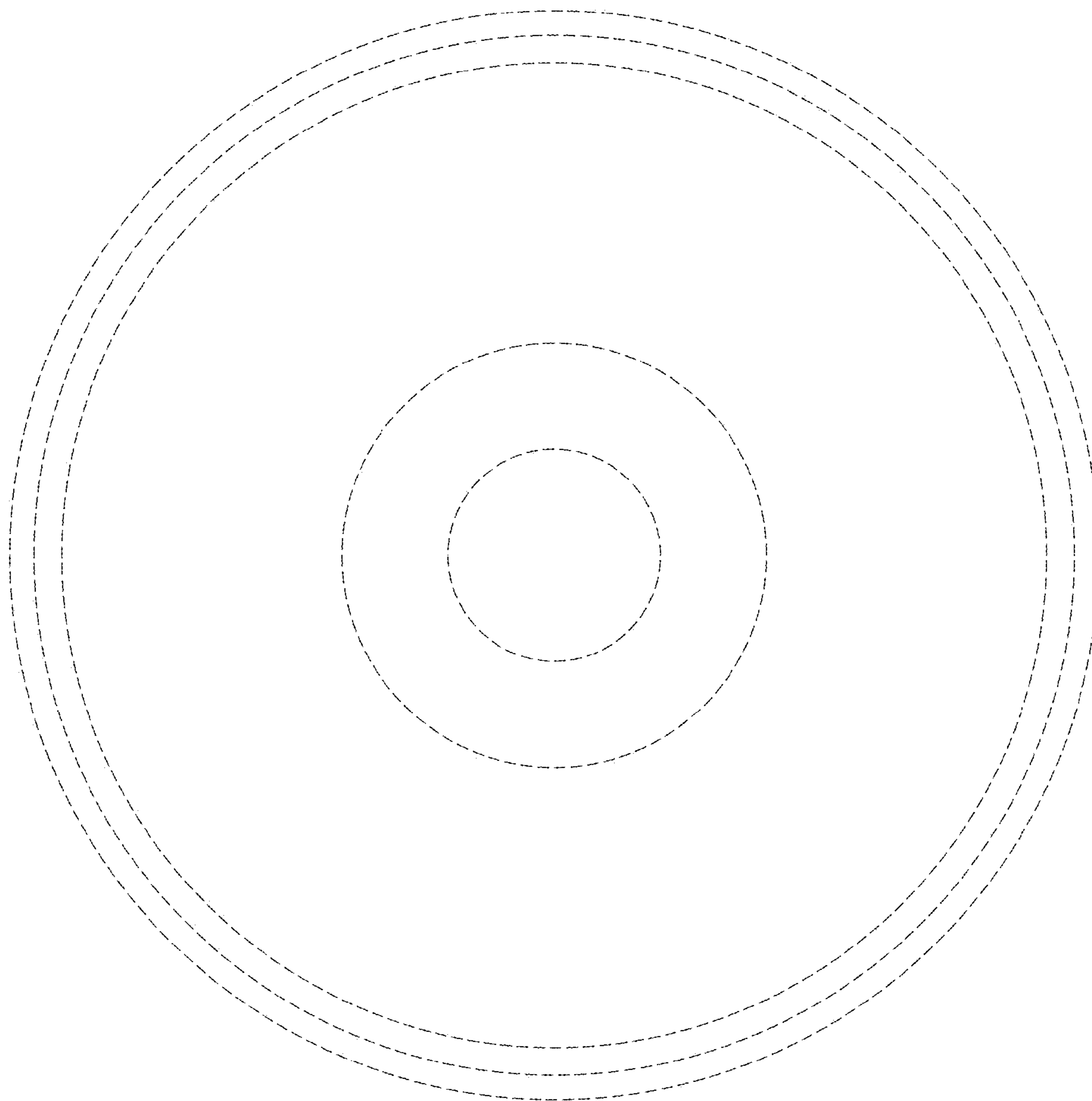


FIG. 7

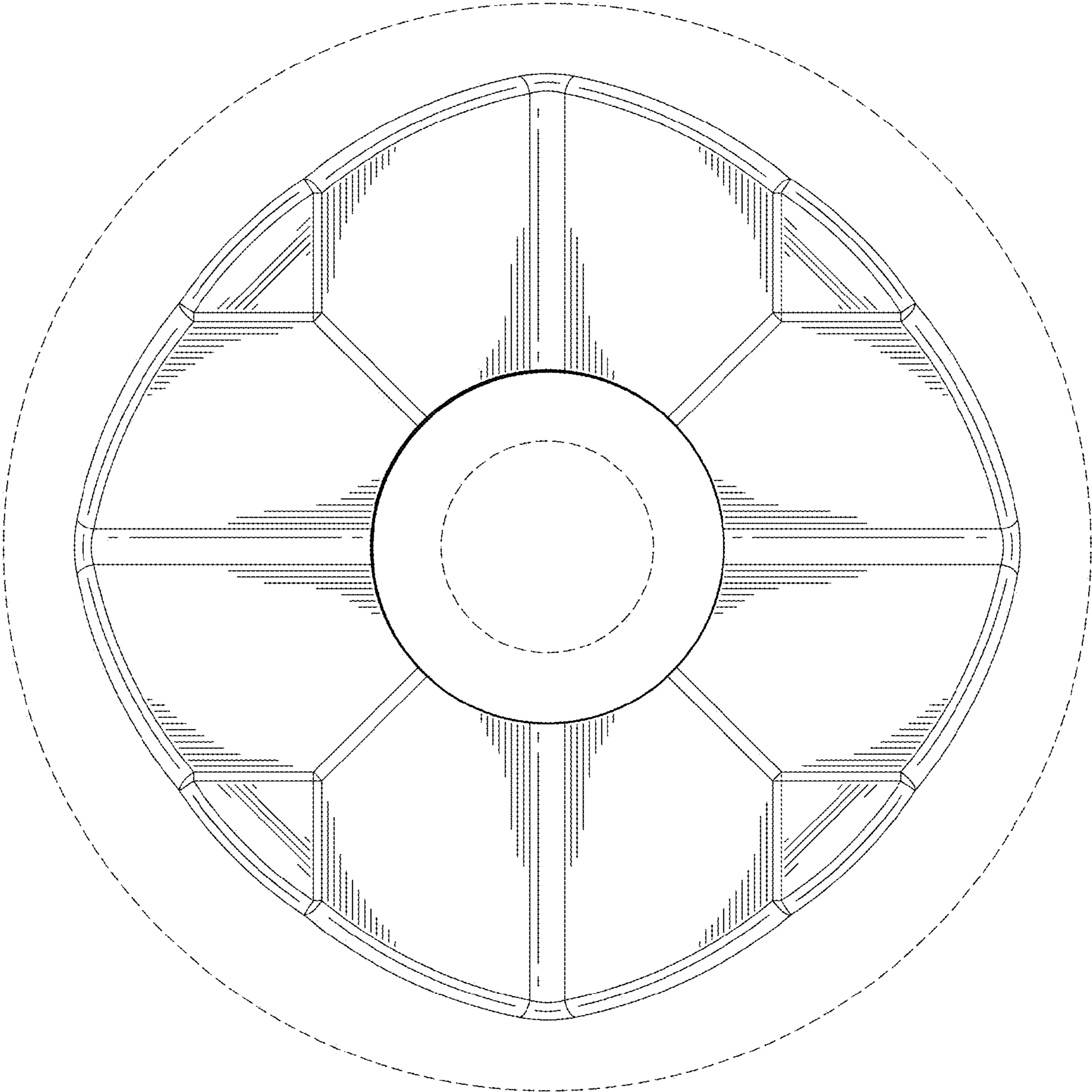


FIG. 8