



US00D912705S

(12) **United States Design Patent**
Macco

(10) **Patent No.:** **US D912,705 S**

(45) **Date of Patent:** **** Mar. 9, 2021**

- (54) **VEHICLE OIL PAN DRAIN PLUG**
- (71) Applicant: **Scott J. Macco**, Sheboygan, WI (US)
- (72) Inventor: **Scott J. Macco**, Sheboygan, WI (US)
- (**) Term: **15 Years**
- (21) Appl. No.: **29/681,388**
- (22) Filed: **Feb. 25, 2019**
- (51) **LOC (13) Cl.** **15-01**
- (52) **U.S. Cl.**
USPC **D15/5**
- (58) **Field of Classification Search**
USPC D15/1-5; D9/434, 435; D23/206, 213,
D23/248, 249; D24/121, 129, 231;
D99/99
CPC . F01M 11/00; F01M 11/0408; F01M 11/0458
See application file for complete search history.

(56) **References Cited**

U.S. PATENT DOCUMENTS

3,387,621	A *	6/1968	Schaff	F01M 11/0408 137/322
3,677,369	A *	7/1972	Schramm	F01M 11/0408 184/1.5
D227,940	S *	7/1973	Thompson	D15/6
4,807,847	A *	2/1989	Martz	F16K 1/38 137/327
4,940,209	A *	7/1990	Fish	F01M 11/0408 123/196 R
5,048,578	A *	9/1991	Dorf	F01M 11/0408 141/346
D328,903	S *	8/1992	Bonbright	D15/5
D331,064	S *	11/1992	Wilson	D15/5
5,169,122	A *	12/1992	Sunderland	F16L 19/061 137/360

(Continued)

OTHER PUBLICATIONS

Ronin Factory, Ronin Factory—Easy Oil Drain for 2015+ Ford F150, Ford Raptor & Ford Mustang, (Date first available Sep. 6,

2018), Amazon.com, URL:<<https://www.amazon.com/ROIN-FACTORY-Drain-Raptor-Trucks/dp/B07H56TP4F/>> (Year: 2018).*

(Continued)

Primary Examiner — Sheryl Lane

Assistant Examiner — Mark T. Philipps

(74) *Attorney, Agent, or Firm* — Mandy L. Tran; Ceres Patent & Technology, LLC

(57) **CLAIM**

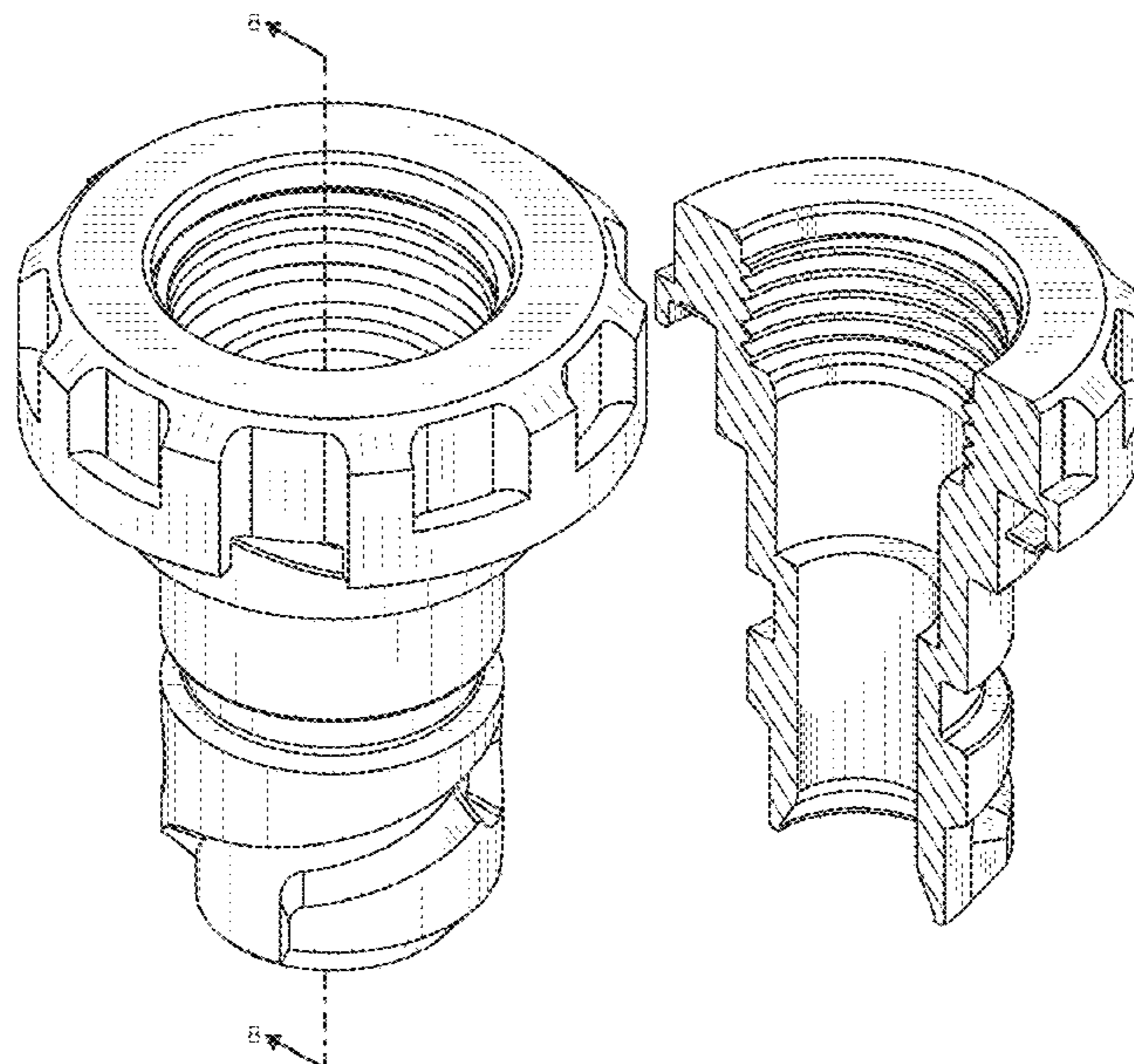
I claim the ornamental design for a vehicle oil pan drain plug, substantially as shown and described.

DESCRIPTION

FIG. 1 is a front perspective view of the first embodiment of the invention.
 FIG. 2 is a top plan view of the invention in FIG. 1.
 FIG. 3 is a bottom plan view of the invention in FIG. 1.
 FIG. 4 is a front view of the invention in FIG. 1.
 FIG. 5 is a right view of the invention in FIG. 1.
 FIG. 6 is a rear view of the invention in FIG. 1.
 FIG. 7 is a left view of the invention in FIG. 1.
 FIG. 8 is a cross-sectional view of FIG. 1 along line 8-8.
 FIG. 9 is a front perspective view of a second embodiment of the invention.
 FIG. 10 is a top plan view of the invention in FIG. 9.
 FIG. 11 is a bottom plan view of the invention in FIG. 9.
 FIG. 12 is a front view of the invention in FIG. 9.
 FIG. 13 is a right view of the invention in FIG. 9.
 FIG. 14 is a rear side view of the invention in FIG. 9.
 FIG. 15 is a left view of the invention in FIG. 9; and,
 FIG. 16 is a cross-sectional perspective view of FIG. 9 along line 16-16.

The broken lines represent portions of the article and form no part of the claimed design.

1 Claim, 14 Drawing Sheets



(56)

References Cited

U.S. PATENT DOCUMENTS

5,188,495 A * 2/1993 Jones, Jr. F16B 43/001
285/220
5,547,042 A * 8/1996 Platt F01M 11/0408
138/89
5,655,280 A * 8/1997 McCommon F01M 11/0408
29/243.518
5,722,451 A * 3/1998 Godeau F01P 11/0276
137/315.01
D430,293 S * 8/2000 Jansen D24/129
D503,725 S * 4/2005 Ensminger D15/5
D545,405 S * 6/2007 Nightlinger D23/260
D758,449 S * 6/2016 White D15/5
D854,050 S * 7/2019 Mitchell D15/5
2001/0007355 A1 * 7/2001 Coupal F16K 31/504
251/351
2002/0040732 A1 * 4/2002 King, Jr. F16L 41/065
137/318
2004/0065376 A1 * 4/2004 Kristofferson F01M 11/0408
138/89
2006/0054402 A1 * 3/2006 Dorian B03C 1/286
184/1.5
2007/0290159 A1 * 12/2007 Jang F01M 11/0408
251/344

2008/0128206 A1 * 6/2008 Wilkins F01M 11/0408
184/1.5
2009/0057058 A1 * 3/2009 Meyers F01M 11/0408
184/1.5
2009/0071568 A1 * 3/2009 Meddock F01M 11/03
141/98
2011/0011865 A1 * 1/2011 Cook F01M 11/0408
220/288
2016/0084386 A1 * 3/2016 Farlow F16K 31/50
222/552
2016/0252191 A1 * 9/2016 Dillon F16K 27/067
137/1
2017/0088319 A1 * 3/2017 Gricourt B65D 47/263
2018/0010494 A1 * 1/2018 Cohen F01M 11/0004
2018/0045093 A1 * 2/2018 De Souza F16B 35/041
2018/0066551 A1 * 3/2018 Weber F01M 11/0458
2018/0073625 A1 * 3/2018 Miyazono F16N 31/00
2018/0156084 A1 * 6/2018 Ito F16B 33/006
2019/0186313 A1 * 6/2019 Lee F01M 11/0408
2019/0264601 A1 * 8/2019 Floyd F01P 11/0276

OTHER PUBLICATIONS

Ronin Factory , Ronin Factory (@roninfactory) • Instagram photos and videos, (posted Mar. 11, 2019), Twitter.com, URL:<<https://www.instagram.com/p/Bu4mFI5jQXd/>> (Year: 2019).*

* cited by examiner

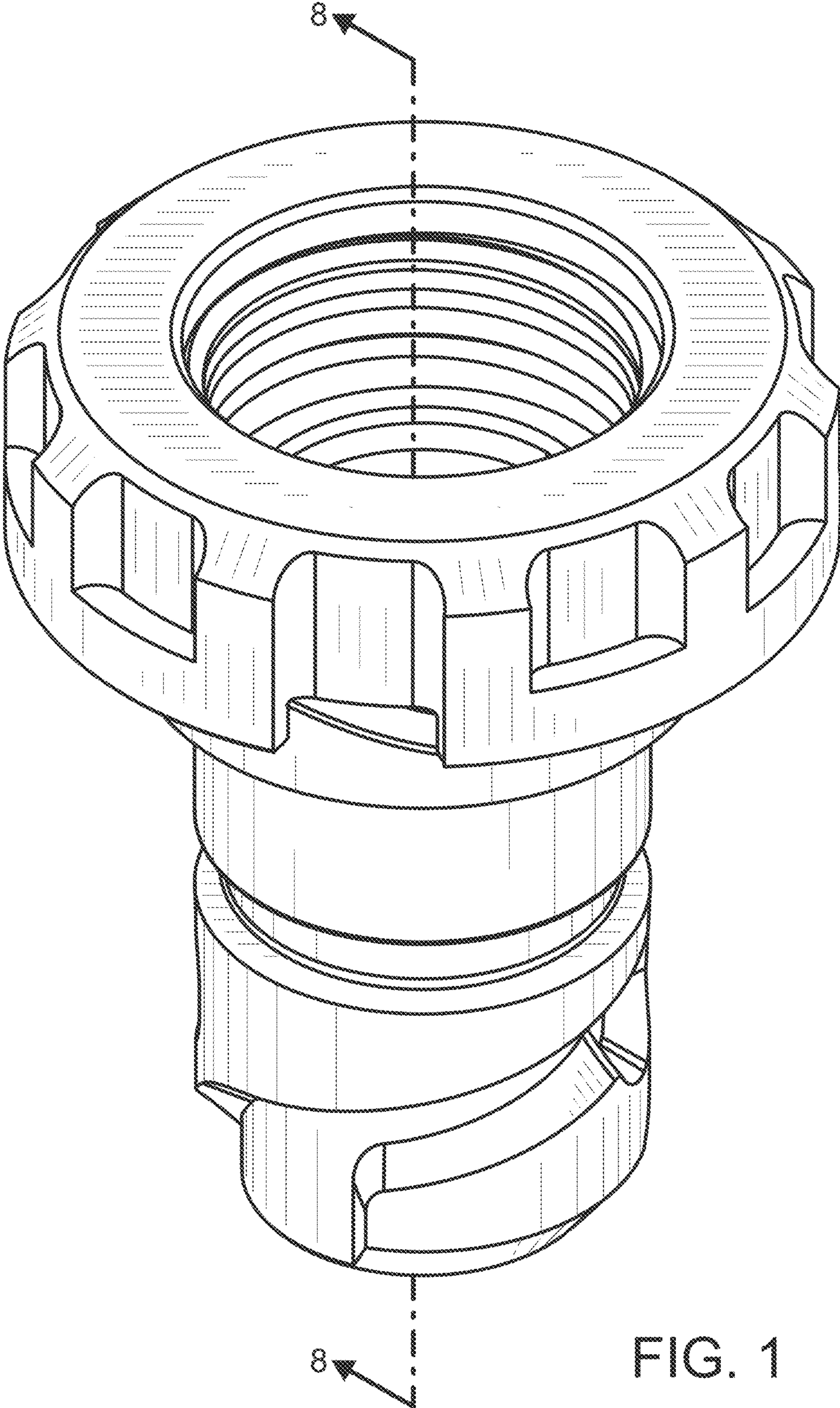


FIG. 1

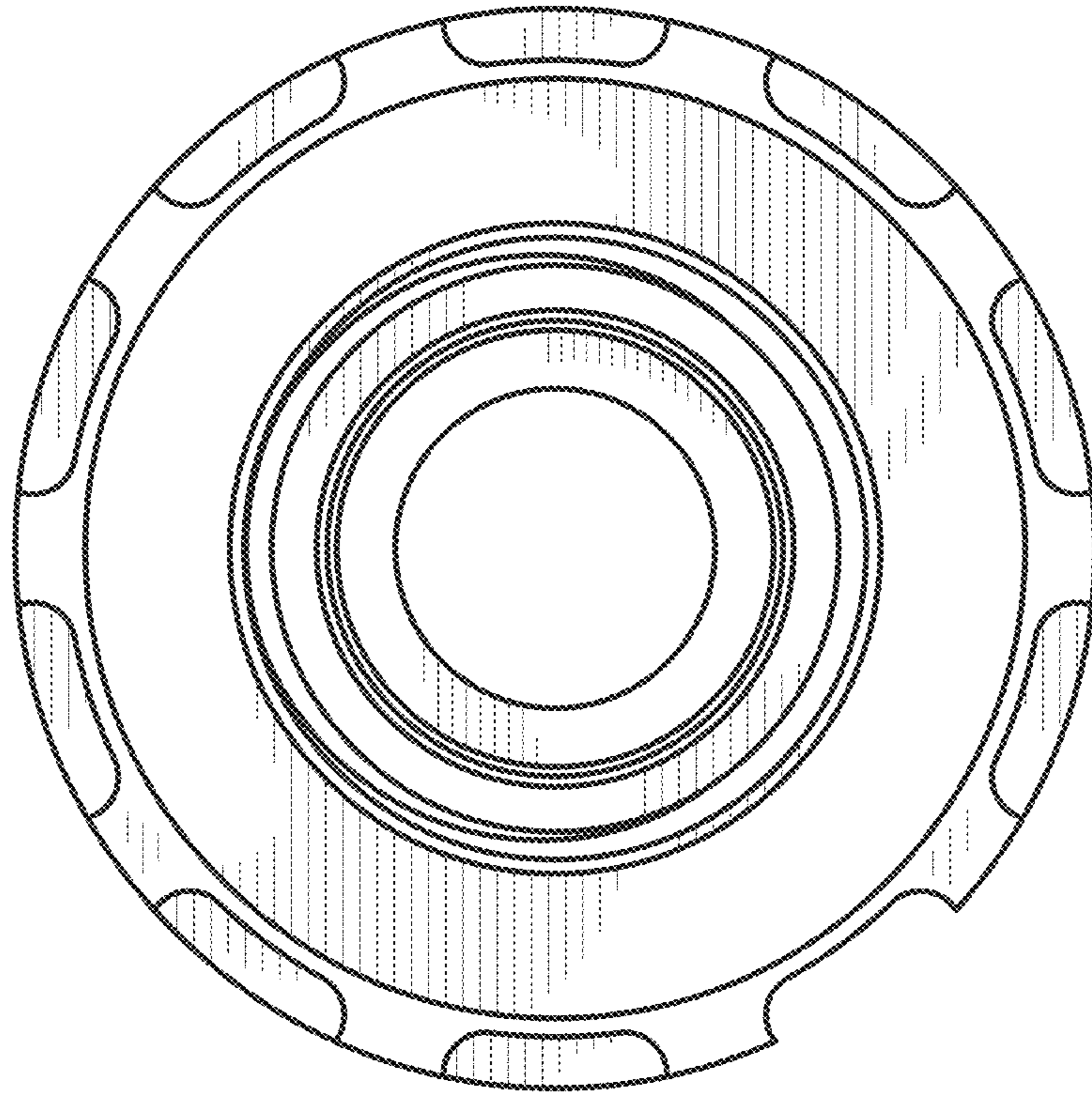


FIG. 2

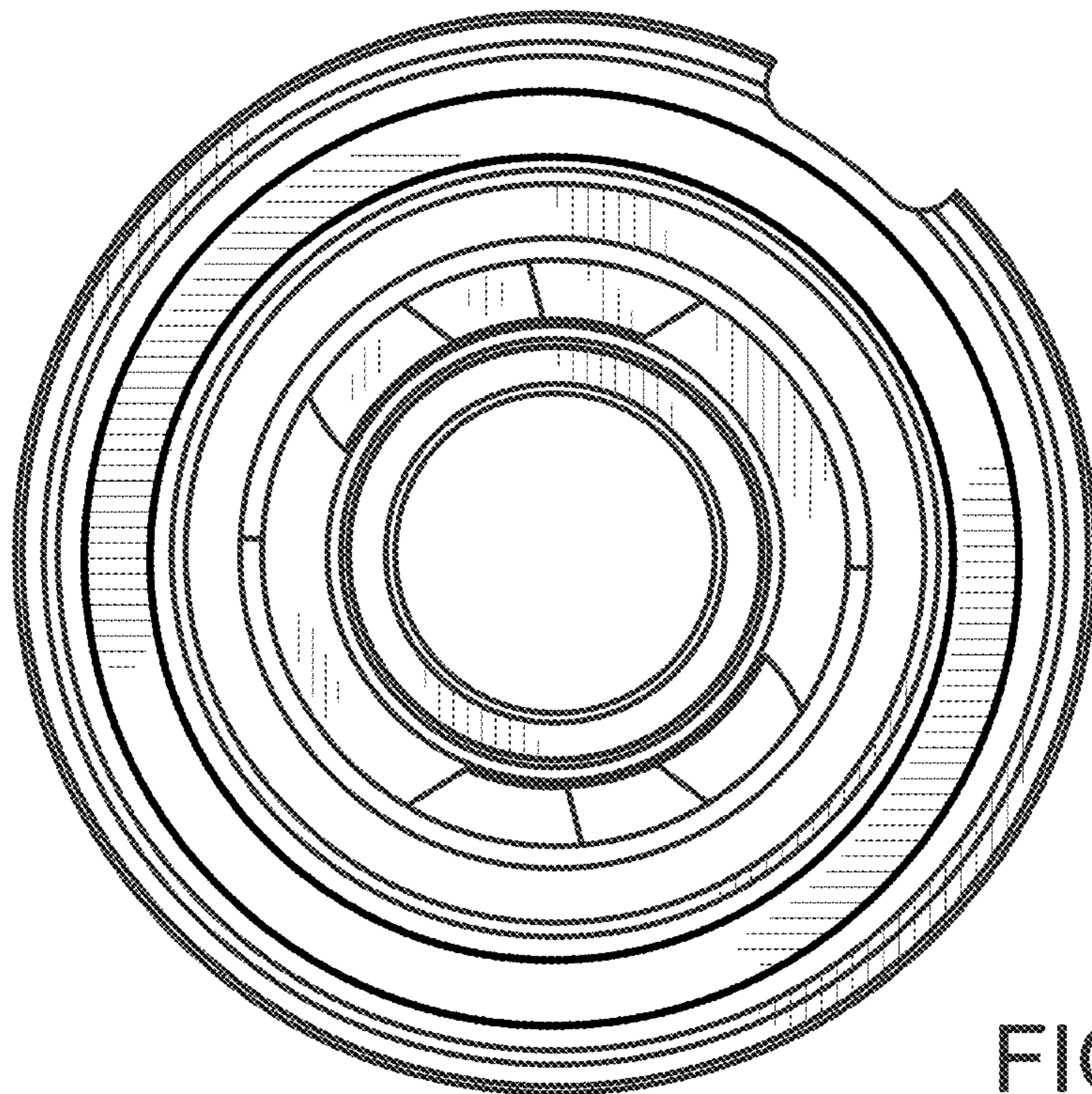


FIG. 3

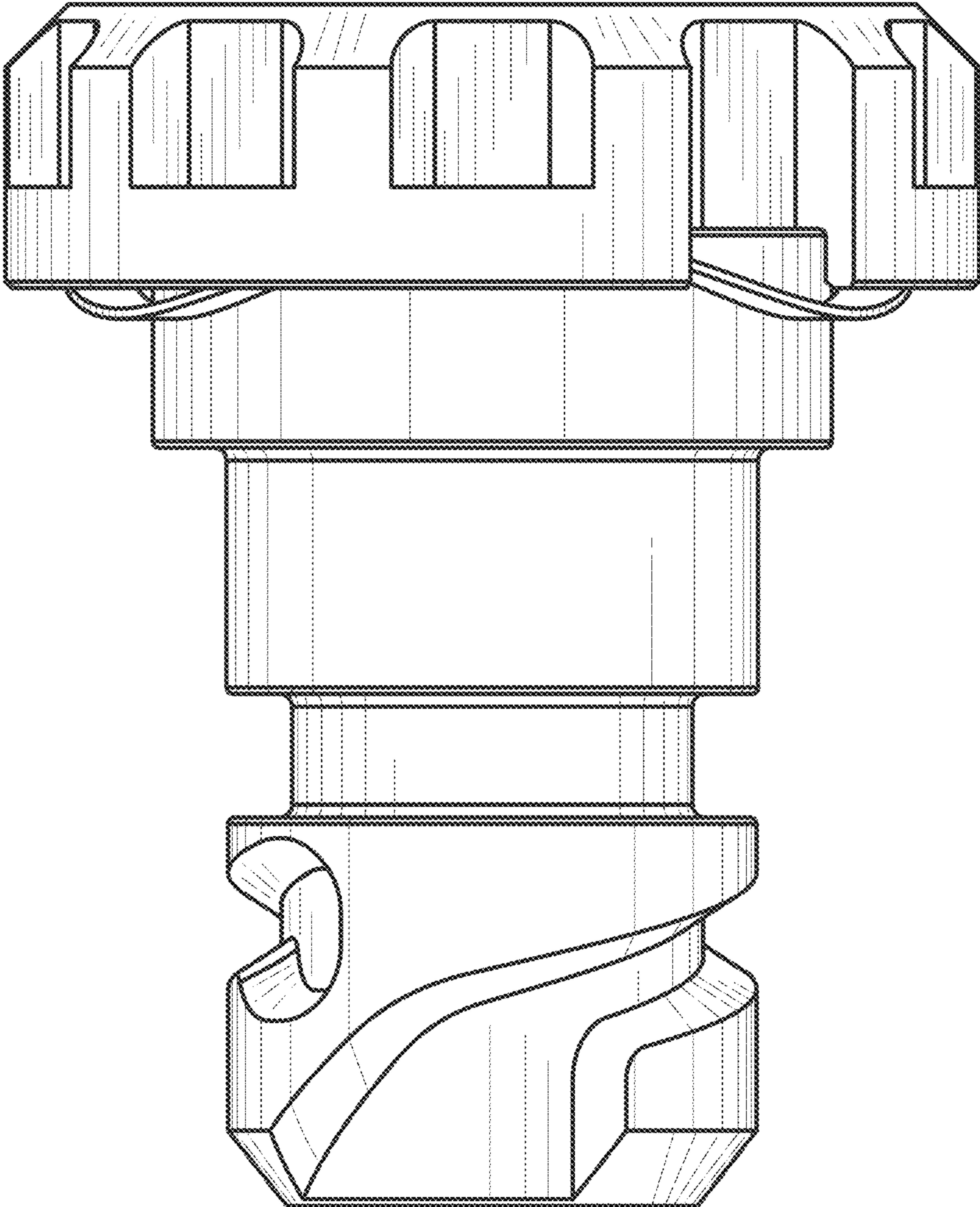


FIG. 4

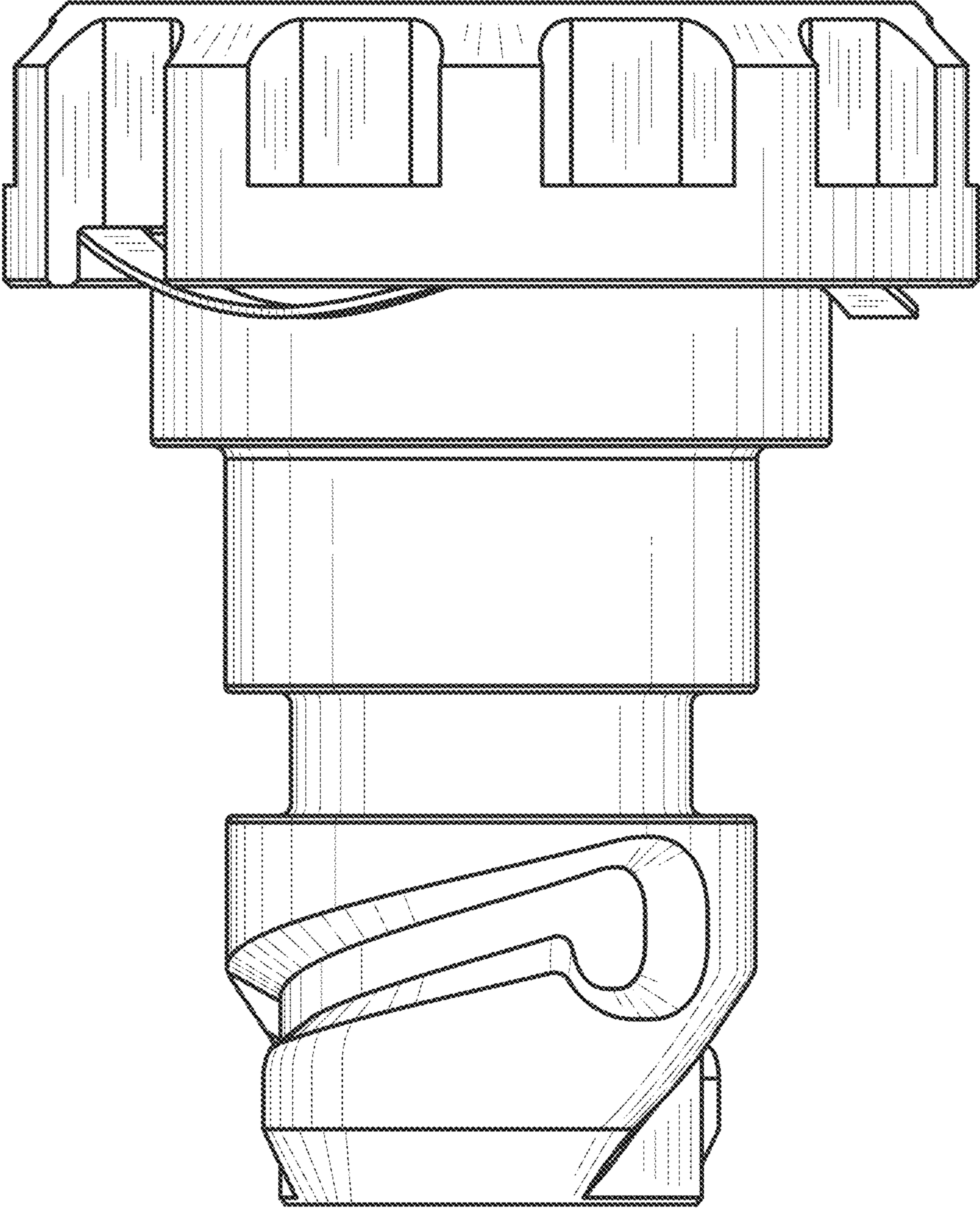


FIG. 5

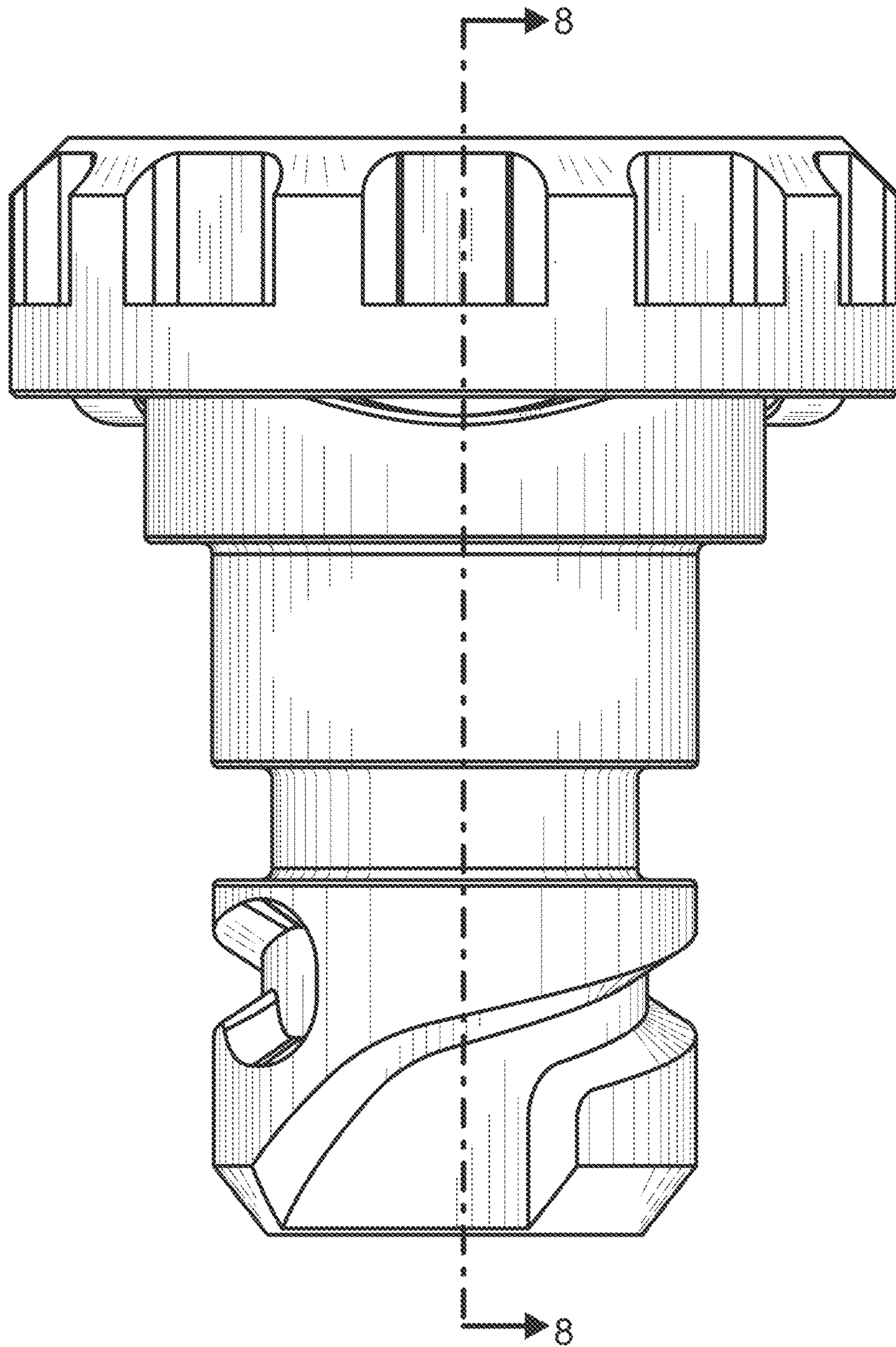


FIG. 6

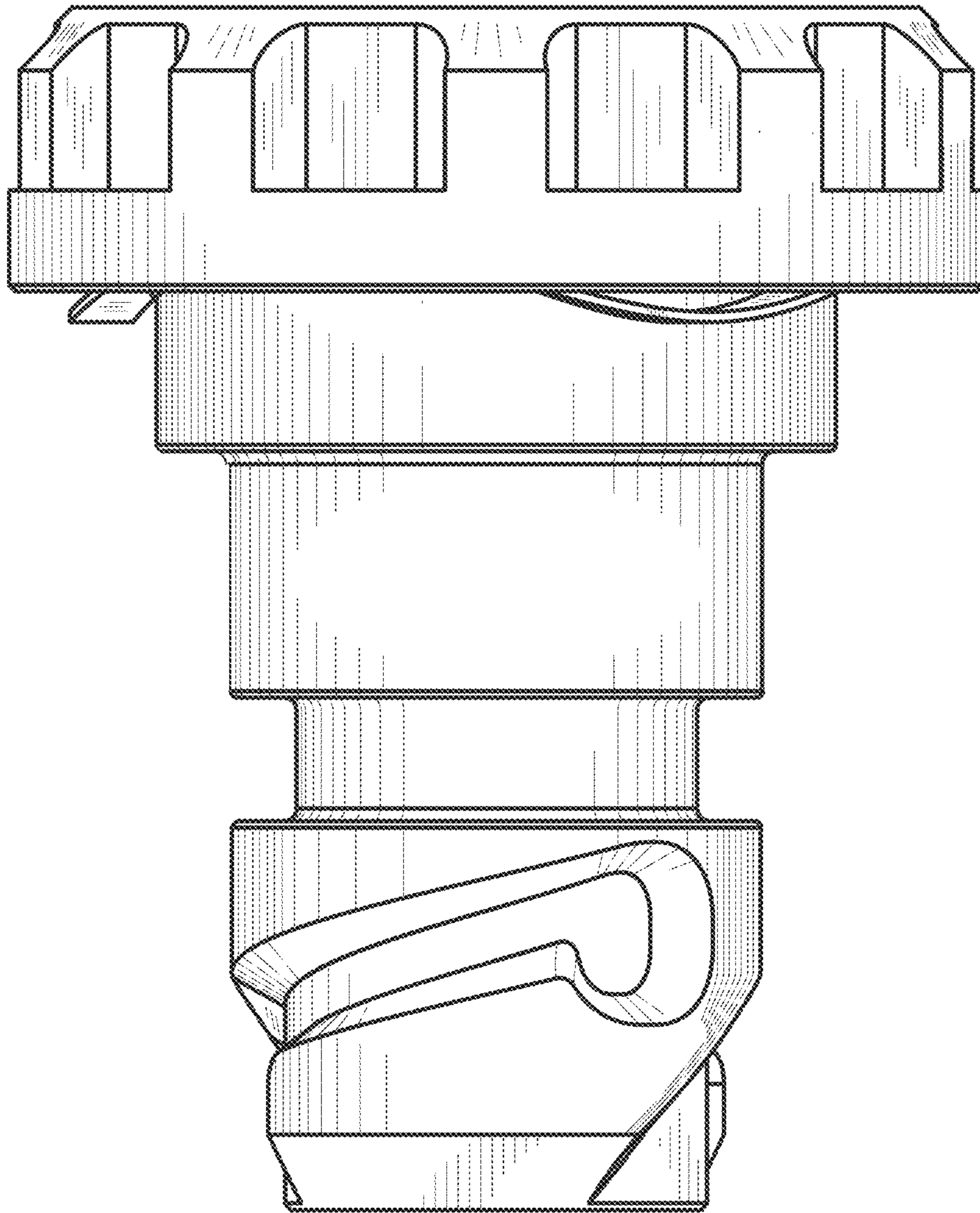


FIG. 7

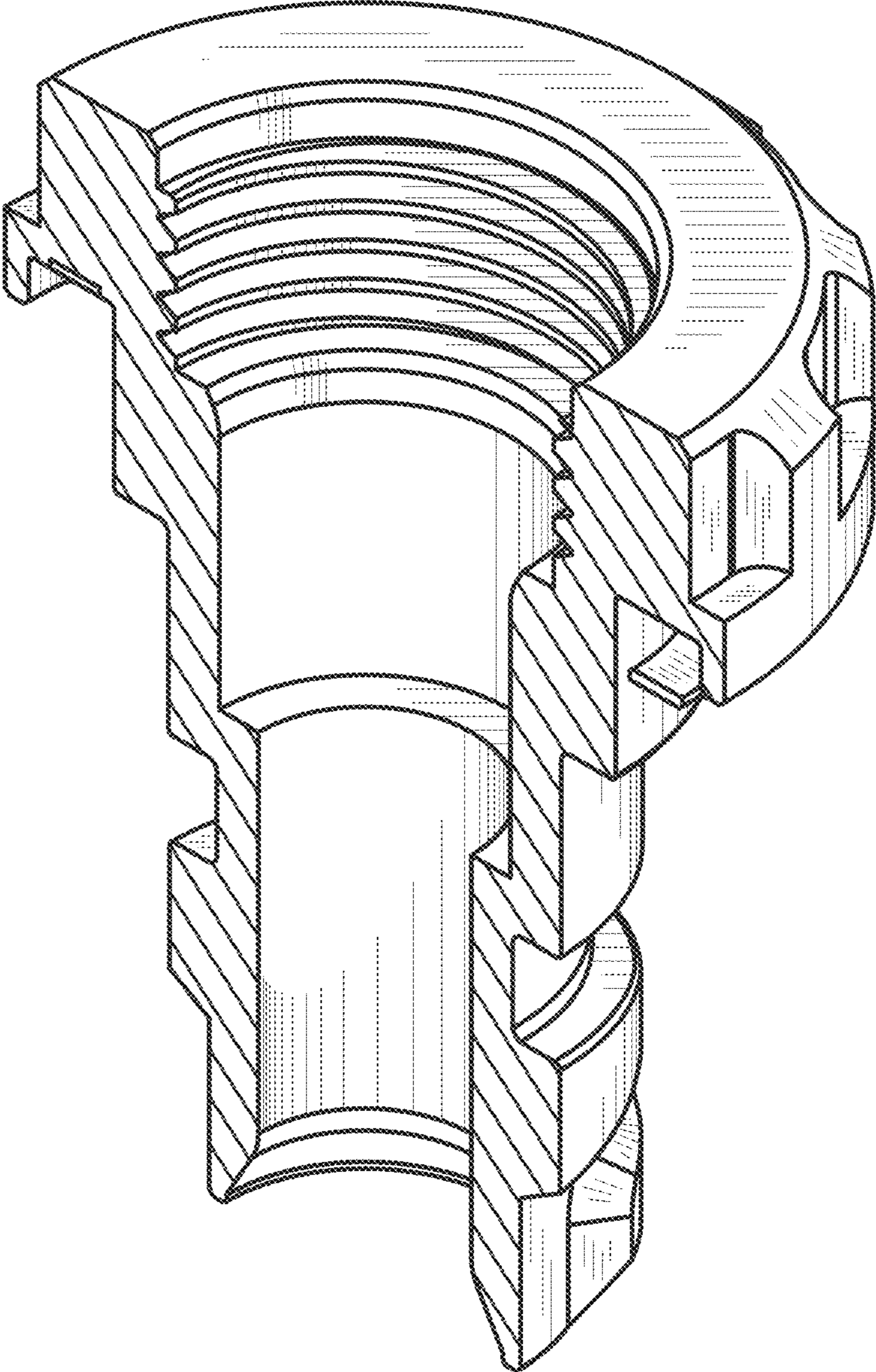


FIG. 8

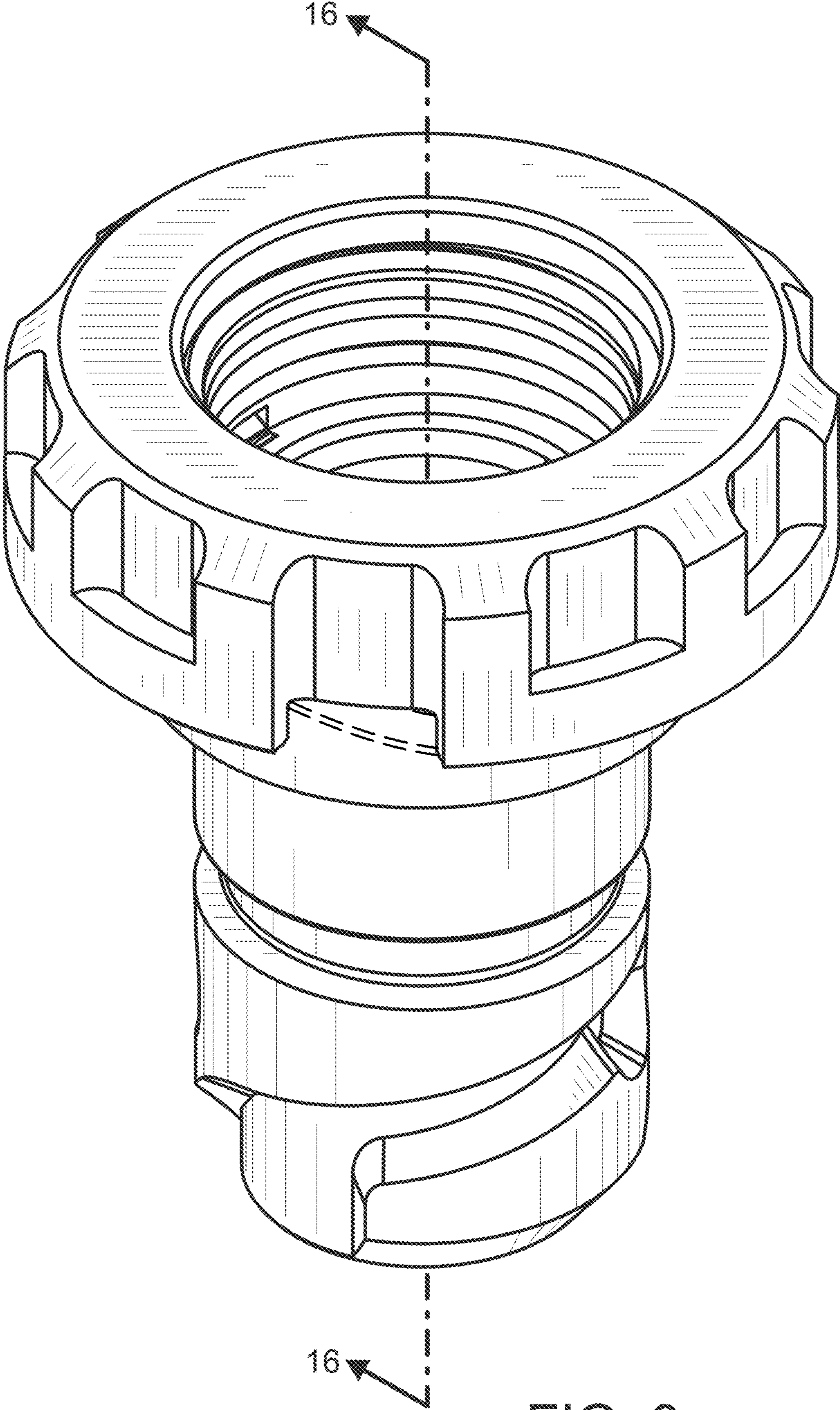


FIG. 9

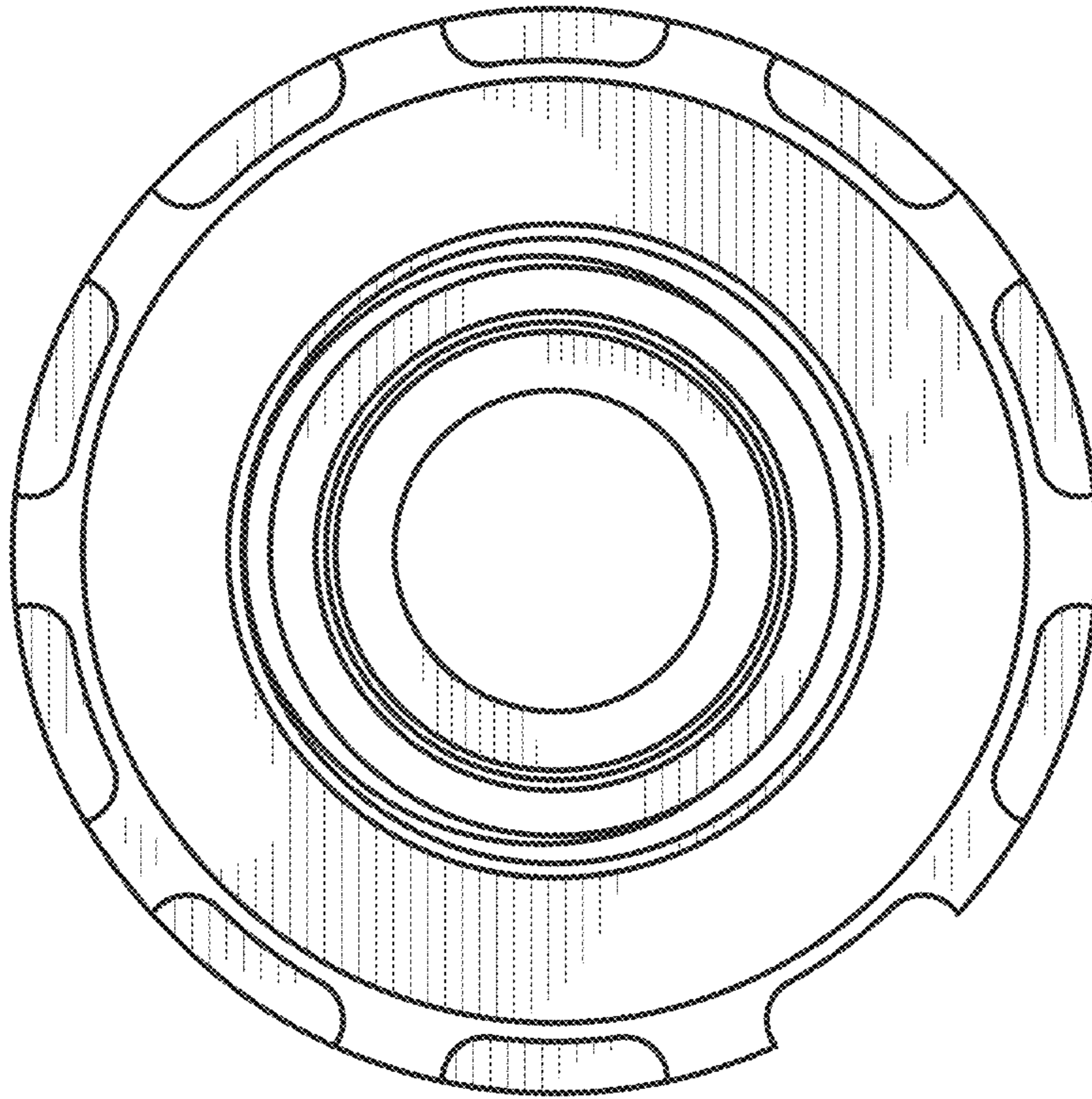


FIG. 10

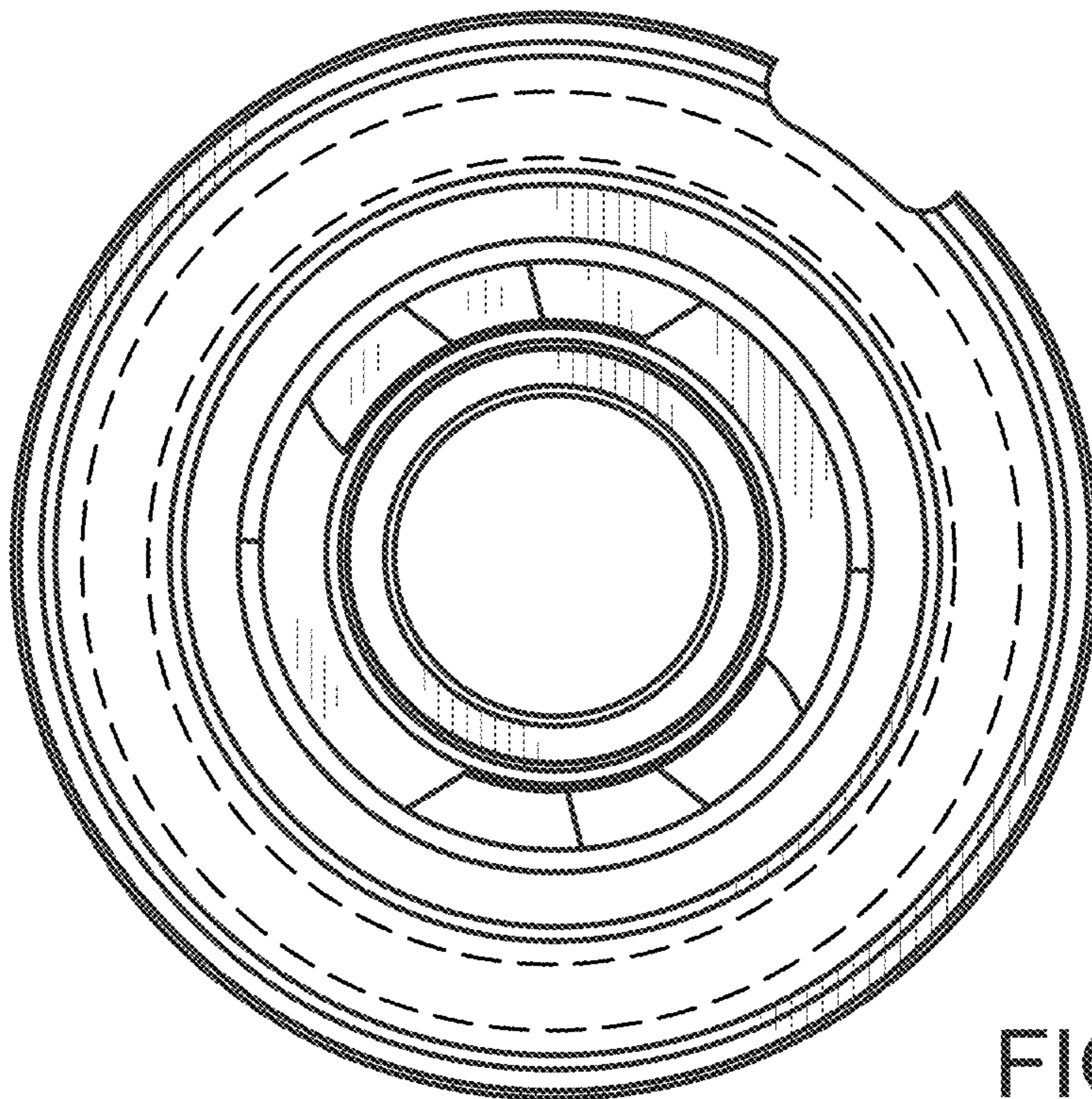


FIG. 11

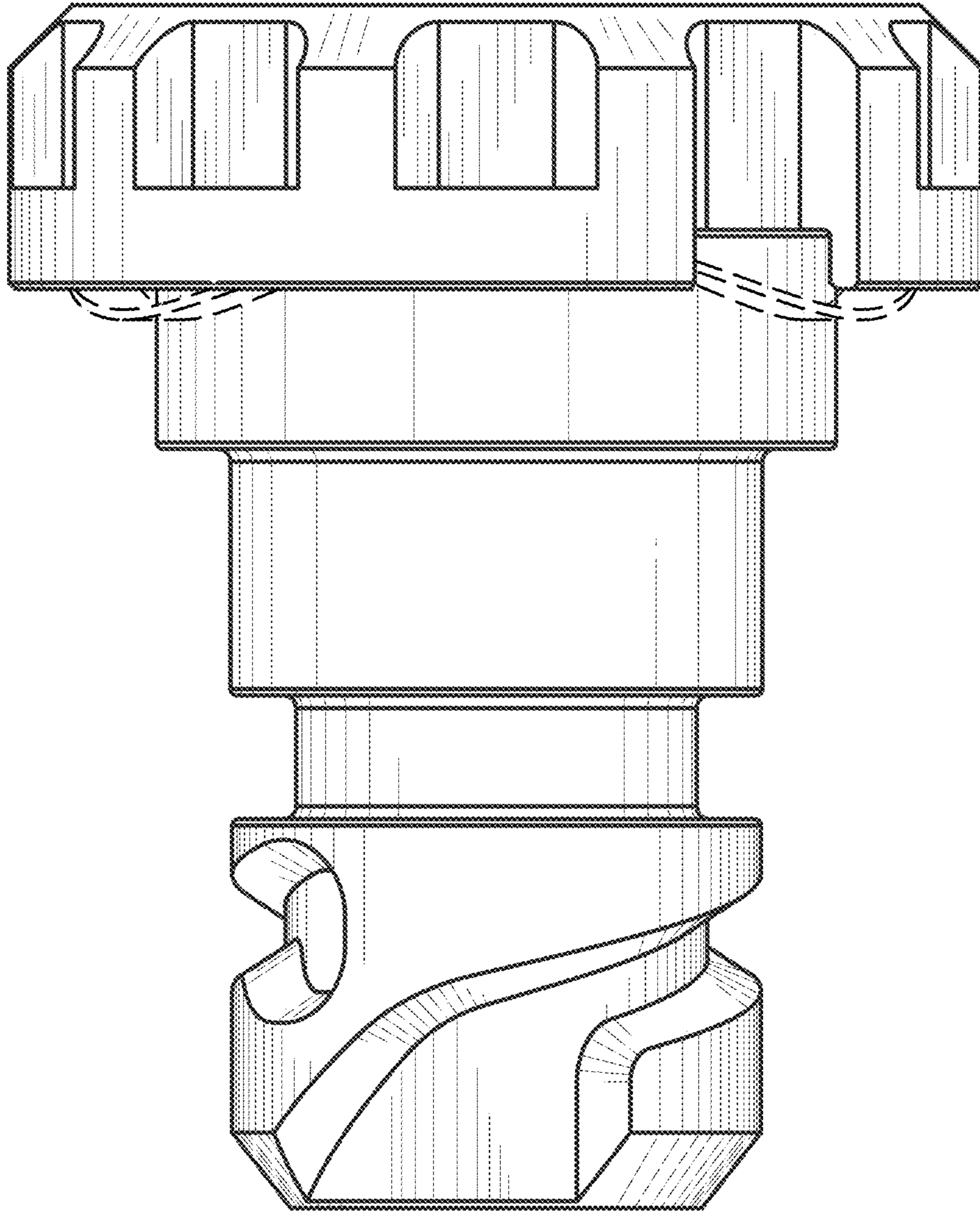


FIG. 12

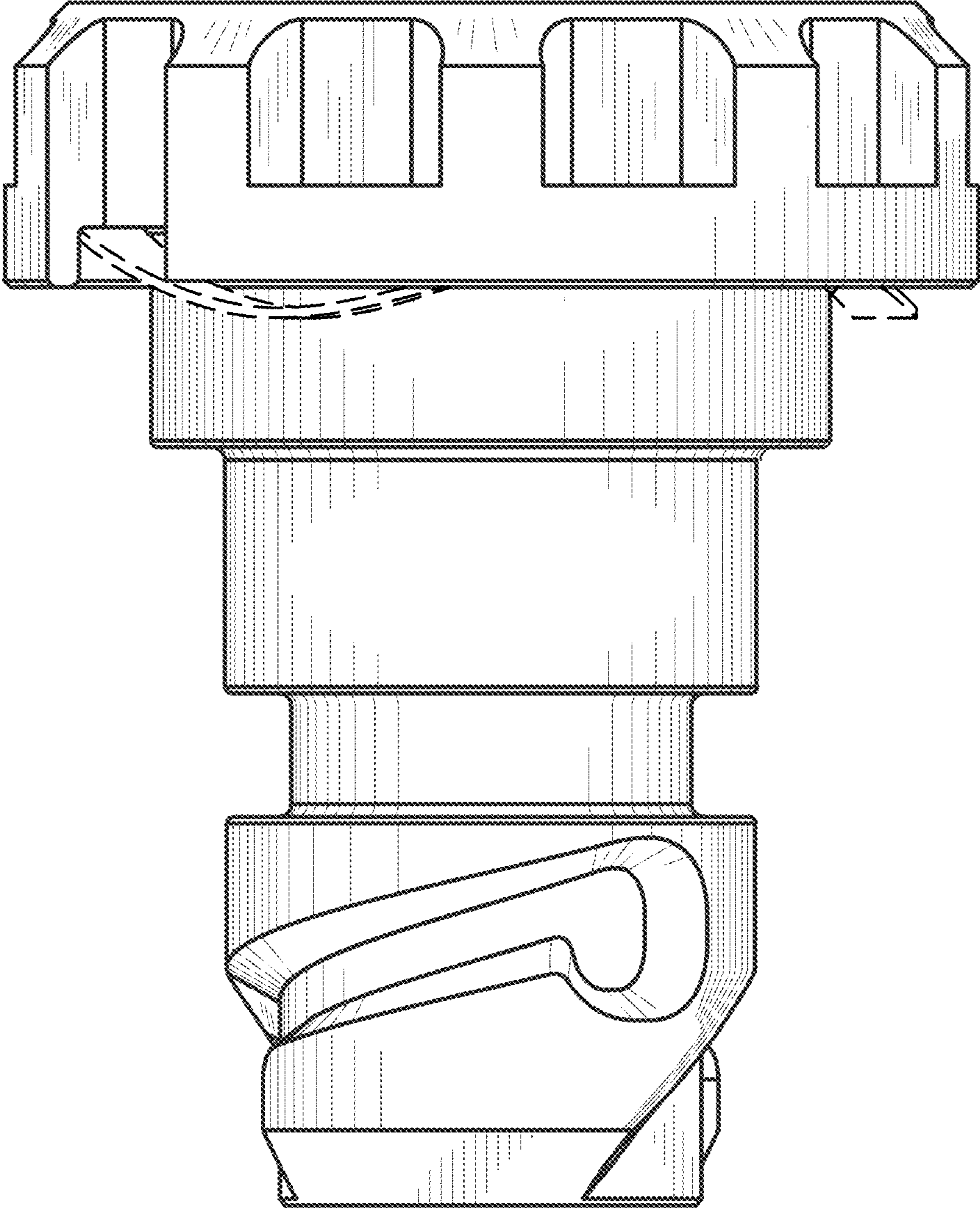


FIG. 13

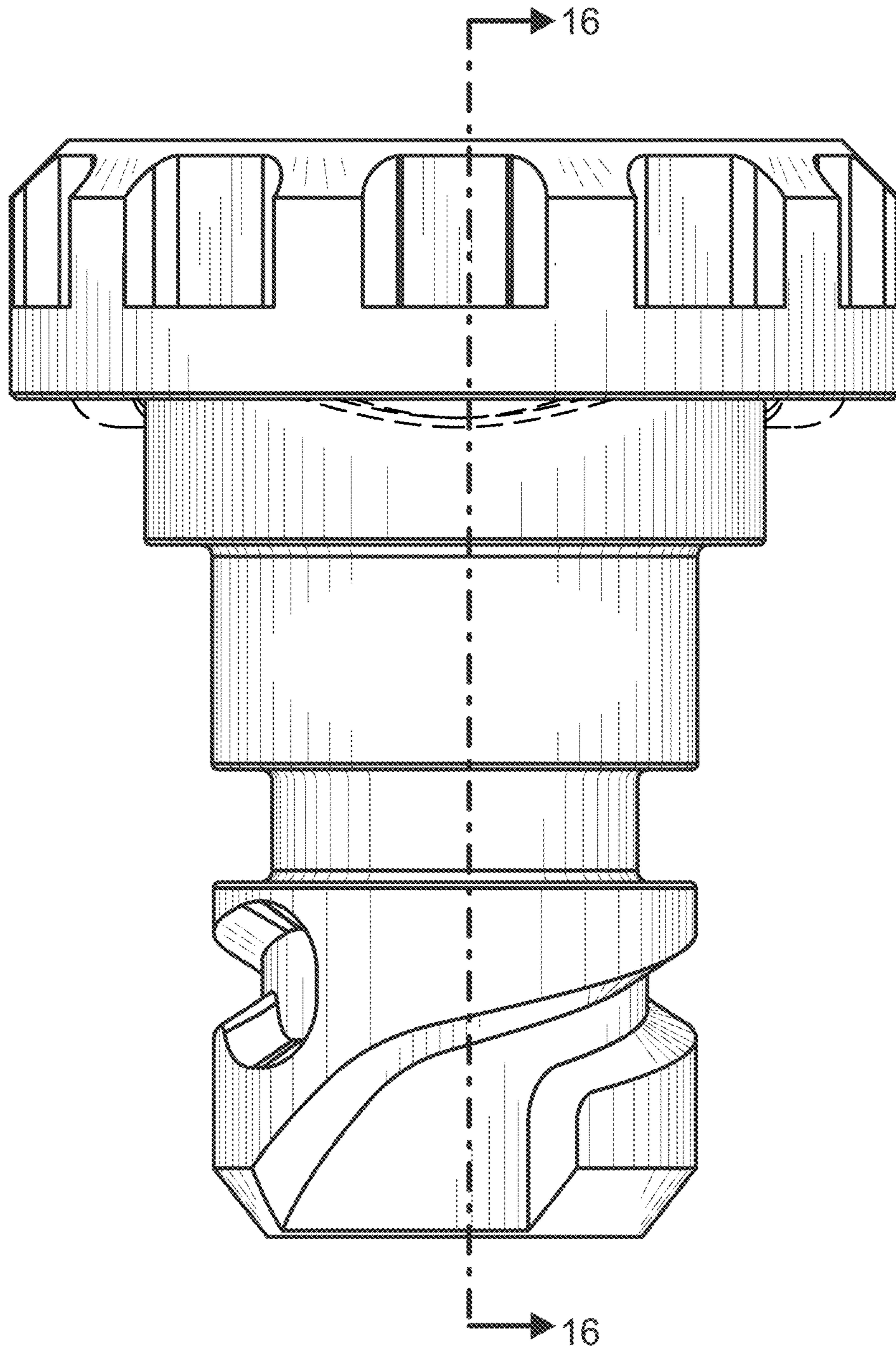


FIG. 14

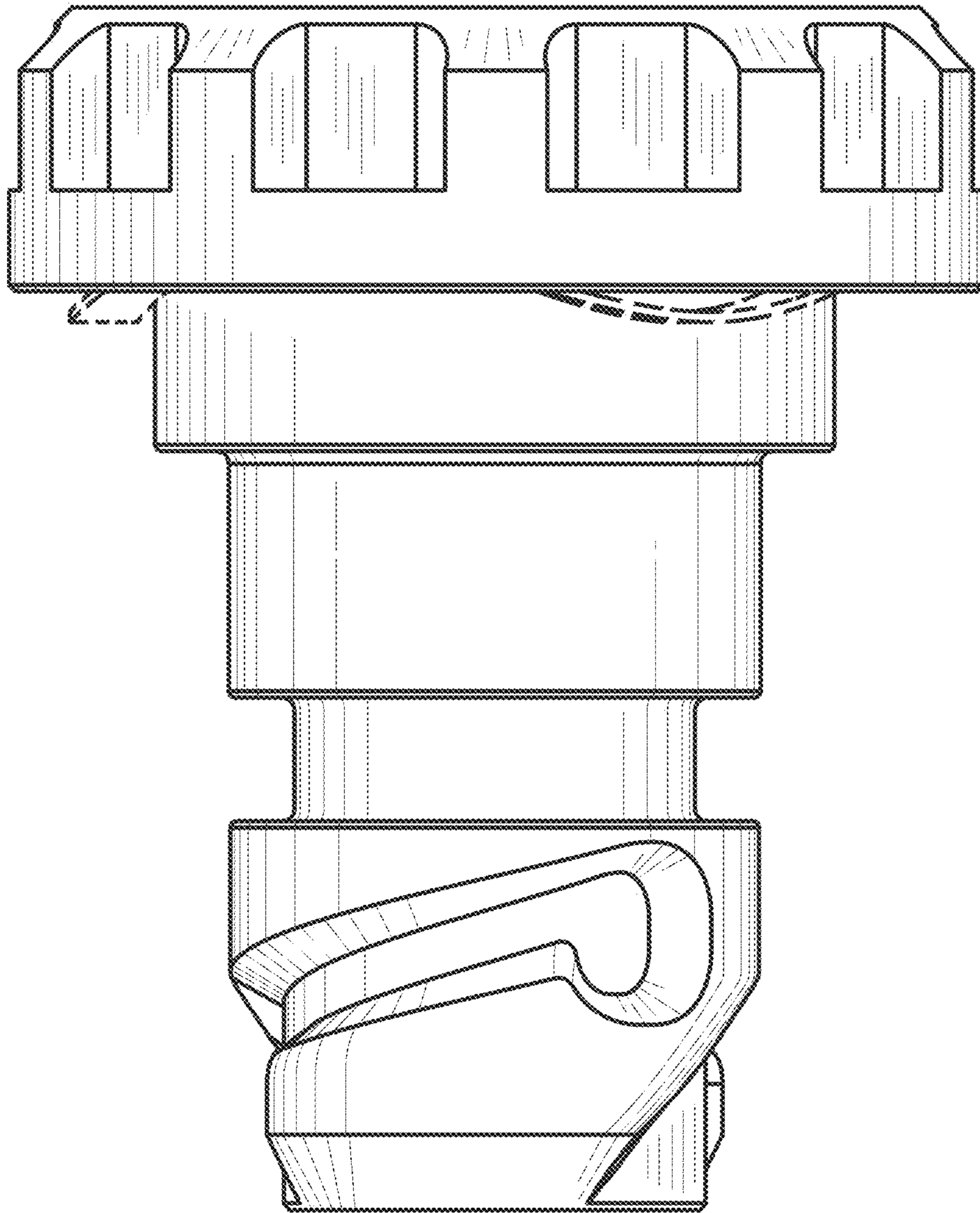


FIG. 15

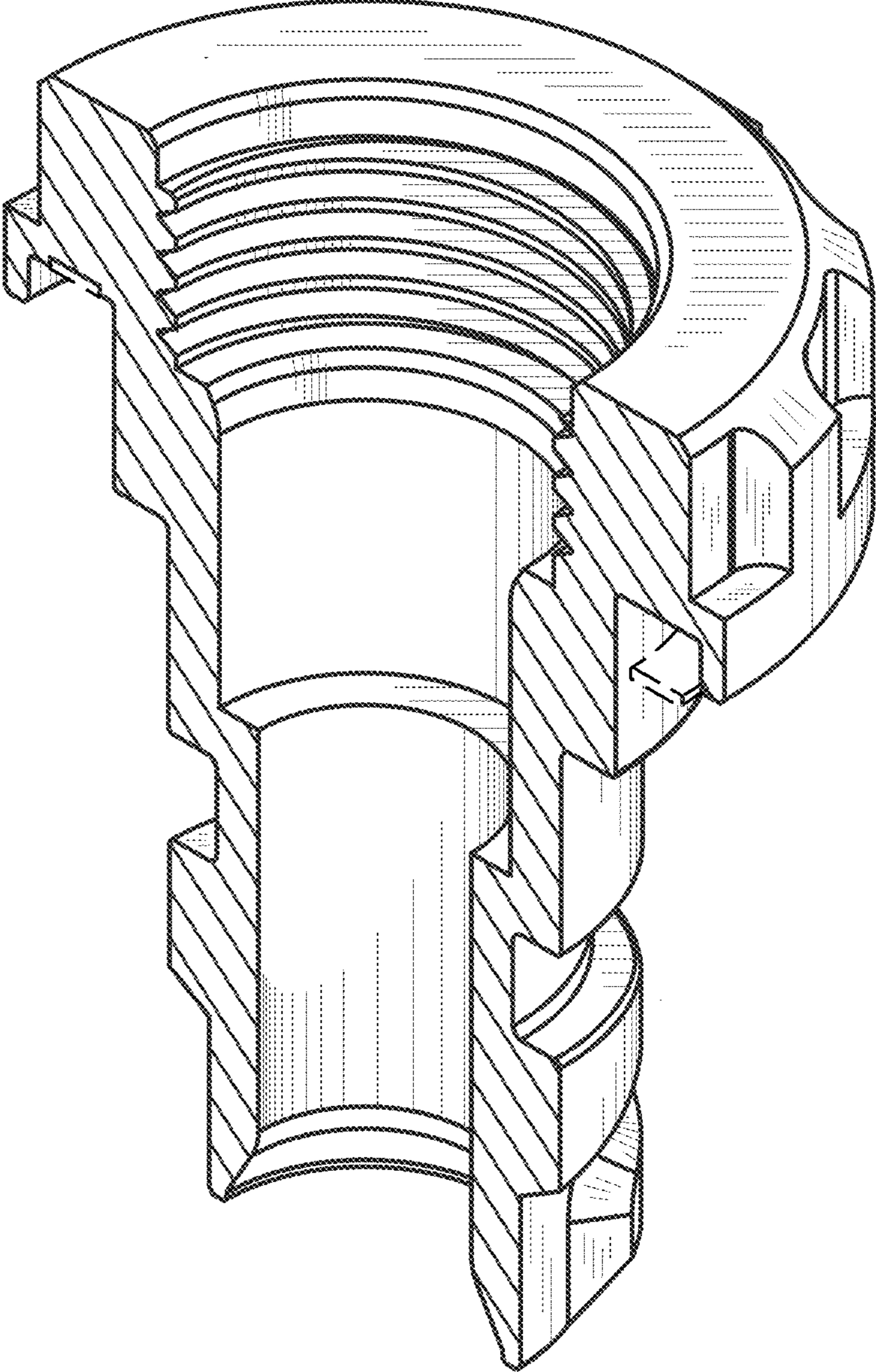


FIG. 16