



US00D912703S

(12) **United States Design Patent** (10) **Patent No.:** **US D912,703 S**
Collins et al. (45) **Date of Patent:** **** Mar. 9, 2021**

(54) **POSITIVE CRANKCASE VENTILATION
DIAPHRAGM RETAINER**

5,228,424 A * 7/1993 Collins F01M 13/023
123/574
D378,980 S * 4/1997 Thayer D21/840
D379,416 S * 5/1997 Adams D21/840

(71) Applicant: **RB Distribution, Inc.**, Colmar, PA
(US)

(Continued)

(72) Inventors: **Timothy Lee Collins**, Oxford, MI
(US); **Patrick Thomas Kennedy**,
Perkasie, PA (US); **Michael Paul
Capko**, Harleysville, PA (US)

OTHER PUBLICATIONS

Banner Stakes. Plus Stanchion/Stake replacement spike, (site vis-
ited Dec. 28, 2020), Global Industrial website, URL:<<https://www.globalindustrial.com/p/safety/crowd-control/retractable-belt-stanchions/pl4081-plus-stanchionstake-replacement-spike>> (Year: 2020).*

(Continued)

(73) Assignee: **RB Distribution, Inc.**, Colmar, PA
(US)

Primary Examiner — Sheryl Lane

Assistant Examiner — Mark T. Philipps

(**) Term: **15 Years**

(74) *Attorney, Agent, or Firm* — Volpe Koenig

(21) Appl. No.: **29/670,324**

(57) **CLAIM**

The ornamental design for a positive crankcase ventilation diaphragm retainer, as shown and described.

(22) Filed: **Nov. 15, 2018**

(51) **LOC (13) Cl.** **15-01**

(52) **U.S. Cl.**
USPC **D15/5**

DESCRIPTION

(58) **Field of Classification Search**

USPC D7/398, 397; D8/1, 2, 21, 83, 301, 306,
D8/315-319, 320, 395; D3/7; D15/5;
D23/217

CPC F01M 13/04; F01M 13/022; F01M 13/023;
F01M 13/025; F01M 13/0011; F01M
13/0416; F02B 33/04; F02B 2275/20;
F02B 2275/34; F02B 75/007; F02B
75/225

See application file for complete search history.

FIG. 1 is a perspective view of a positive crankcase venti-
lation diaphragm retainer according to our invention;
FIG. 2 is a front elevation thereof;
FIG. 3 is a rear elevation thereof;
FIG. 4 is right side elevation thereof;
FIG. 5 is left side elevation thereof;
FIG. 6 is a top plan view thereof;
FIG. 7 is a bottom plan view thereof; and,
FIG. 8 is a perspective view of the positive crankcase
ventilation diaphragm retainer according to our invention in
the use environment.

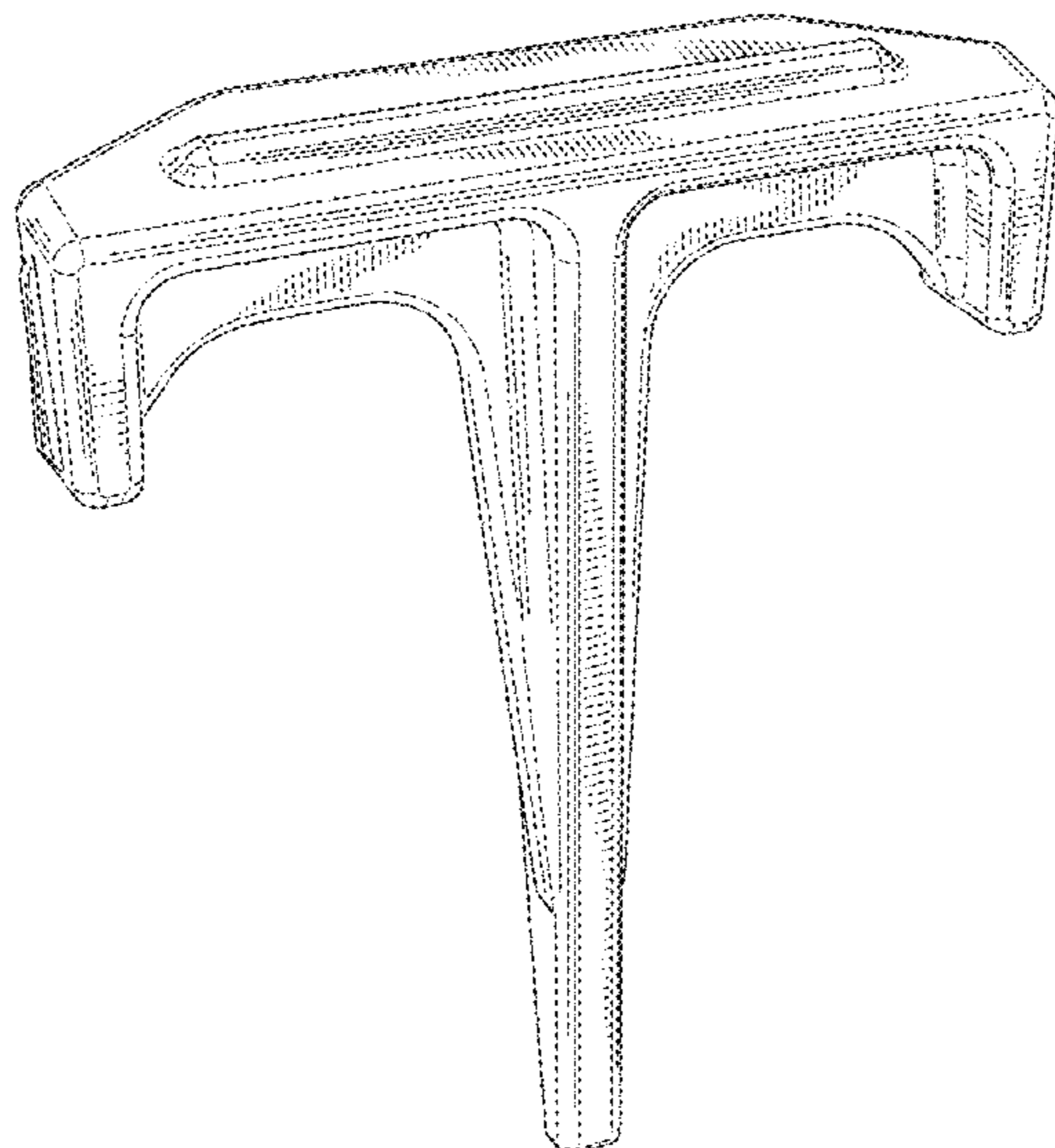
The uniform short dash broken line showings of a positive
crankcase ventilation diaphragm retainer are for the purpose
of illustrating environment and form no part of the claimed
design, The alternating short dash long dash broken lines
represent boundary lines and form no part of the claimed
design.

(56) **References Cited**

U.S. PATENT DOCUMENTS

D94,408 S * 1/1935 Carlson D8/302
3,678,910 A * 7/1972 Marlett F01M 13/023
123/574
D243,614 S * 3/1977 Russo D25/126
D285,769 S * 9/1986 Flory D8/107
D287,098 S * 12/1986 Wilson D21/840

1 Claim, 6 Drawing Sheets



(56)

References Cited

U.S. PATENT DOCUMENTS

5,697,351 A * 12/1997 Schumacher F01M 13/023
 123/574
 D446,838 S * 8/2001 Carey D21/840
 6,293,268 B1 * 9/2001 Mammarella F01M 13/0011
 123/574
 D523,523 S * 6/2006 Burnworth D23/217
 D553,919 S * 10/2007 Gross D8/1
 D581,243 S * 11/2008 Gulley D8/301
 D613,139 S * 4/2010 Lai D8/21
 D632,157 S * 2/2011 Le D8/306
 D633,598 S * 3/2011 Baron D23/217
 D646,948 S * 10/2011 Robinson D8/83
 D651,486 S * 1/2012 Li D8/1
 D658,437 S * 5/2012 Johnson D7/398
 D727,970 S * 4/2015 Peterson D15/5
 D774,625 S * 12/2016 Boughton D23/217
 D779,908 S * 2/2017 Le D8/306

D834,515 S * 11/2018 Zhang D13/102
 D888,407 S * 6/2020 Dash D3/7
 2020/0271027 A1 * 8/2020 Tamura F01M 13/0416

OTHER PUBLICATIONS

Valley View, Heavy Duty Poly Anchoring Stakes, (site visited Dec. 28, 2020), Theisen's website, URL:<<https://www.theisens.com/products/heavy-duty-poly-anchoring-stakes/>> (Year: 2020).*

Eckler's Automotive, Weatherstripping Plastic Push Pin—T-Shaped, (site visited Dec. 28, 2020), Eckler's Website, URL:<<https://www.ecklers.com/weatherstripping-plastic-push-pin-t-shaped-90-37252-1.html>> (Year: 2020).*

Dilwe, Outdoor Tent Stakes, 5 Pcs T-Shaped Nail Pegs Camping Screw Nail for Frozen Soil Ice Surface, (first available Dec. 6, 2018), Amazon.com, URL:<<https://www.amazon.com/Dilwe-Outdoor-T-Shaped-Camping-Surface/dp/B07L5NP6D4>> (Year: 2018).*

* cited by examiner

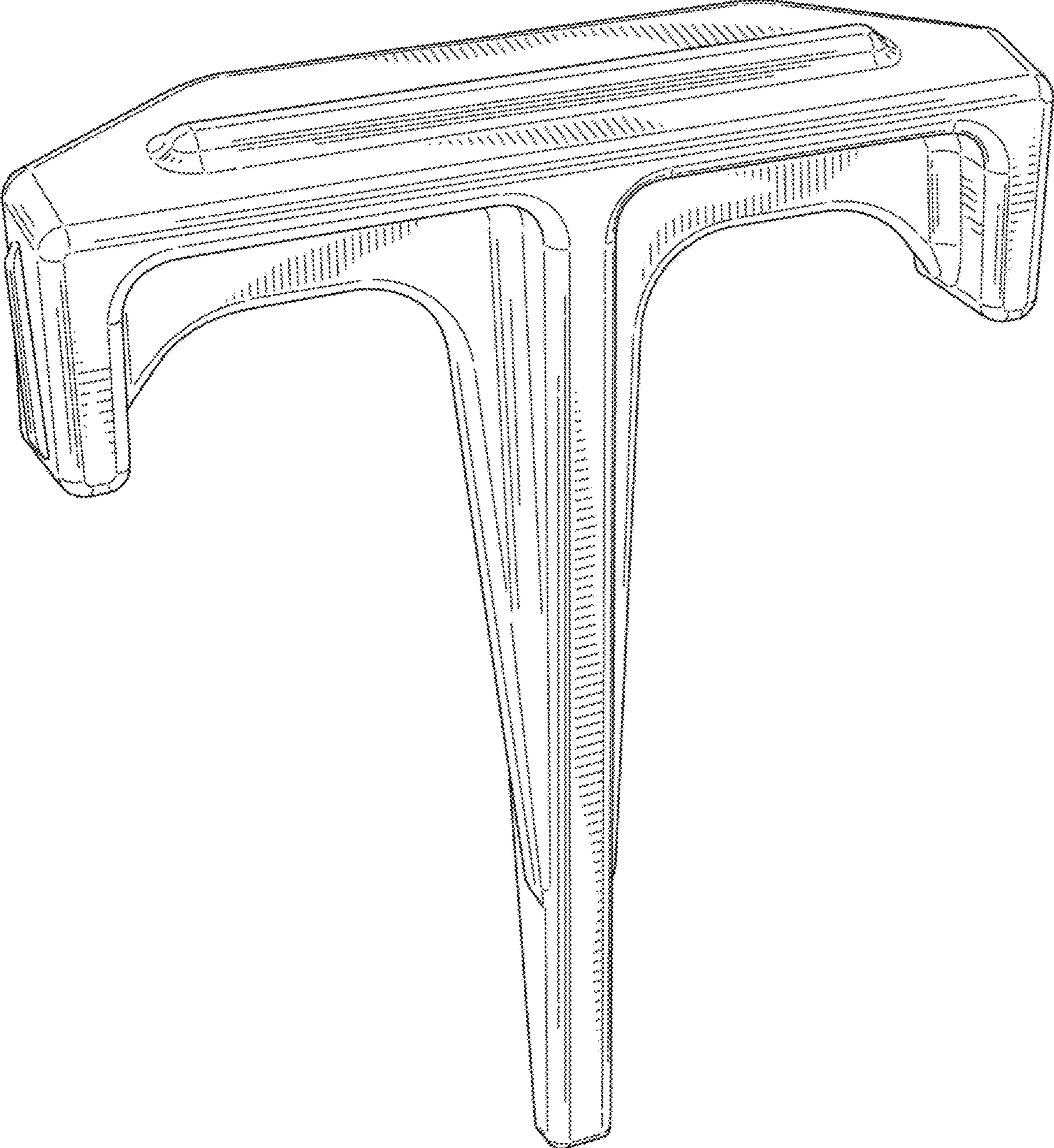


FIG. 1

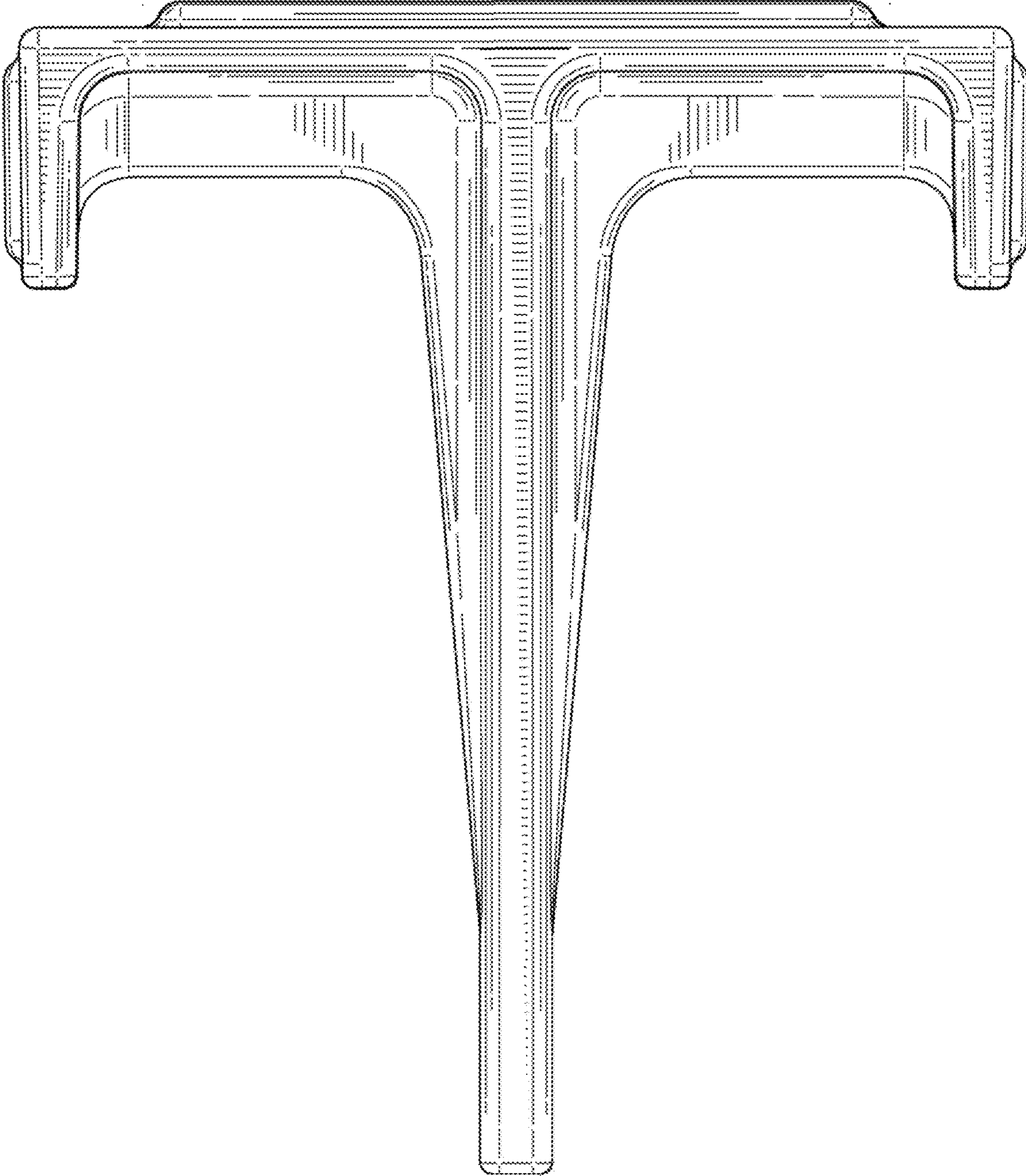


FIG. 2

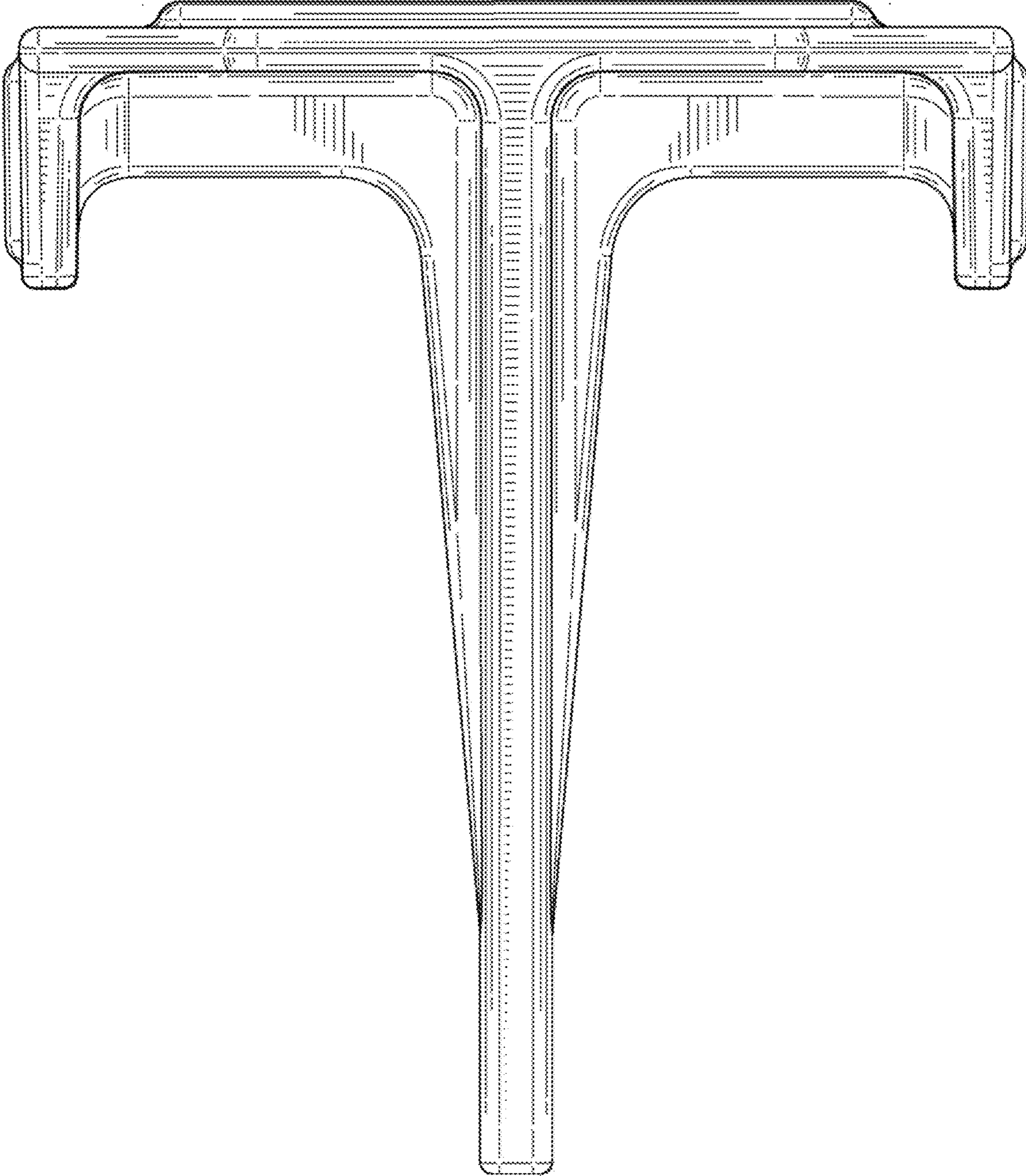


FIG. 3

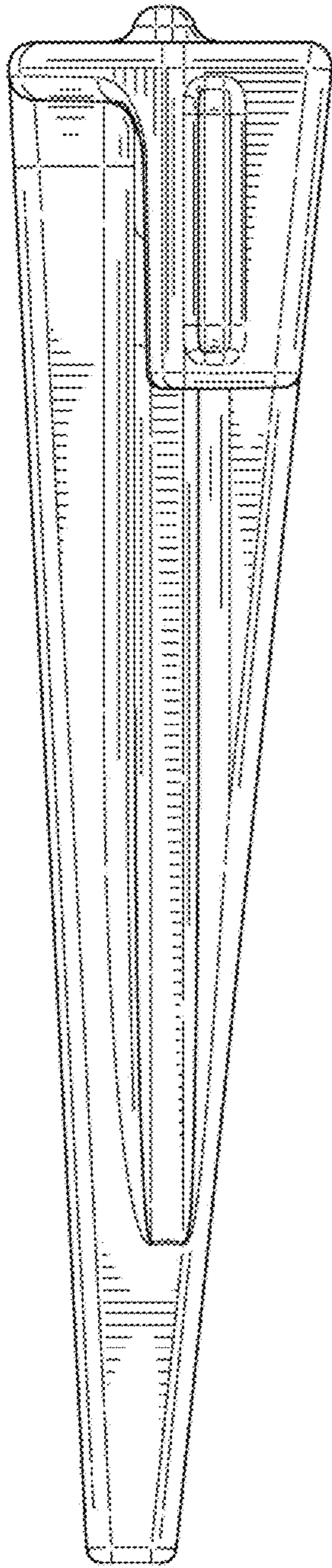


FIG. 4

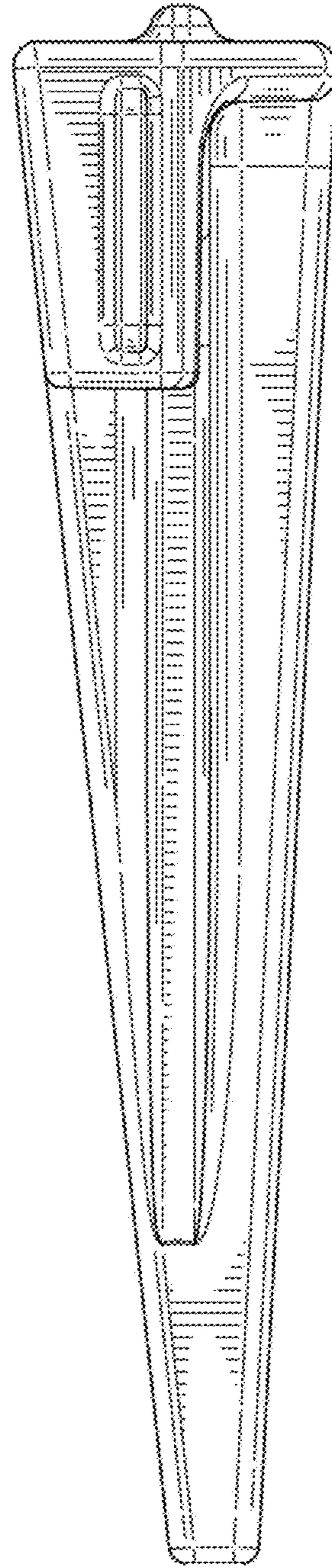


FIG. 5

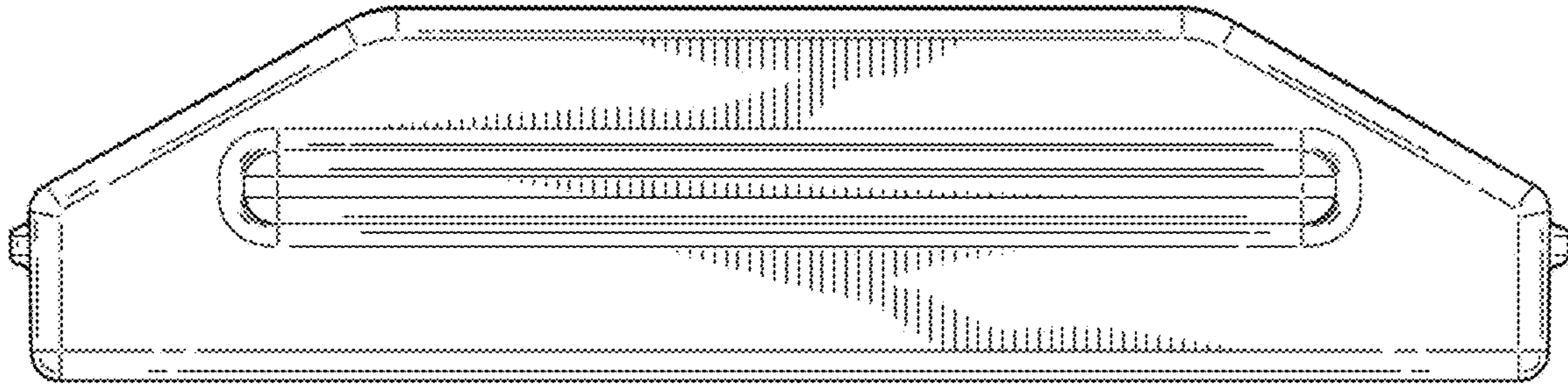


FIG. 6

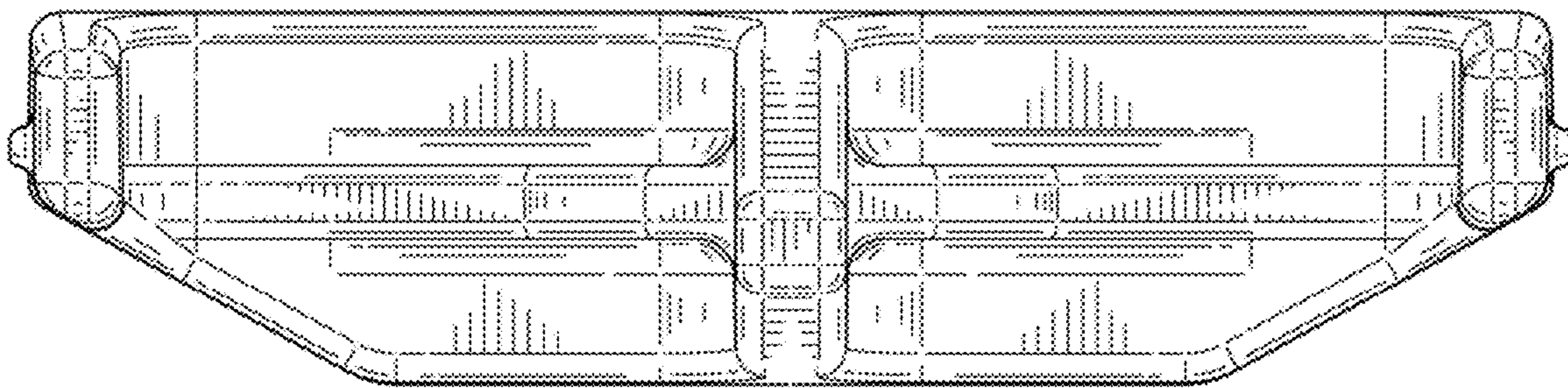


FIG. 7

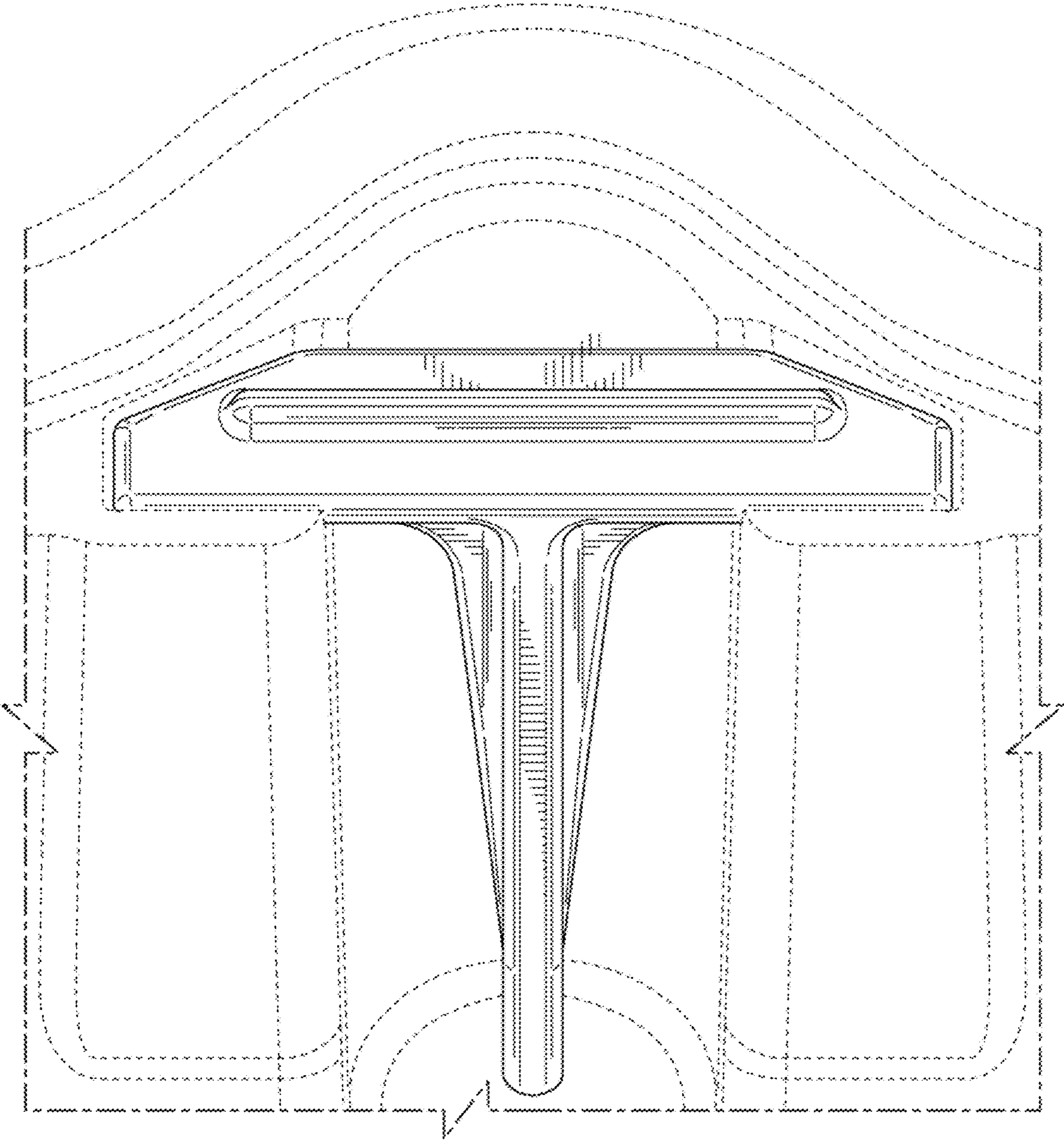


FIG. 8