



US00D912679S

(12) **United States Design Patent**
He et al.

(10) **Patent No.:** **US D912,679 S**
(45) **Date of Patent:** **** Mar. 9, 2021**

(54) **FOLDABLE LAPTOP STAND**
(71) Applicants: **Jiajia He**, Sunnyvale, CA (US);
Chenglan Huang, Sunnyvale, CA (US)
(72) Inventors: **Jiajia He**, Sunnyvale, CA (US);
Chenglan Huang, Sunnyvale, CA (US)

D730,091 S * 5/2015 Chan D6/681
D732,543 S * 6/2015 Westrup D14/447
9,227,763 B2 * 1/2016 Gengler G06F 1/16
D820,830 S * 6/2018 Lee D14/341
D824,915 S * 8/2018 Hsu D14/447
D852,203 S * 6/2019 Rui D14/447

(**) Term: **15 Years**

FOREIGN PATENT DOCUMENTS

(21) Appl. No.: **29/674,864**

JP D1475157 S 7/2013
JP D1519350 S 3/2015
TW D187190 12/2017

(22) Filed: **Dec. 27, 2018**

* cited by examiner

(51) **LOC (13) Cl.** **08-07**

Primary Examiner — Angela J Lee

(52) **U.S. Cl.**
USPC **D14/447**

(74) *Attorney, Agent, or Firm* — IPro, PLLC

(58) **Field of Classification Search**
USPC D14/447, 432, 434, 439, 440, 451, 452,
D14/457, 239, 253; D8/363, 373, 380;
D6/406.3, 406.4, 406.5, 406.6; D12/415
CPC A47B 21/04; A47B 2097/006; A47B
2097/005; A47B 2023/049; A45C
2011/002; A45C 2011/003; F16M
2200/00; F16M 13/00

(57) **CLAIM**

The ornamental design for a foldable laptop stand, as shown and described.

See application file for complete search history.

DESCRIPTION

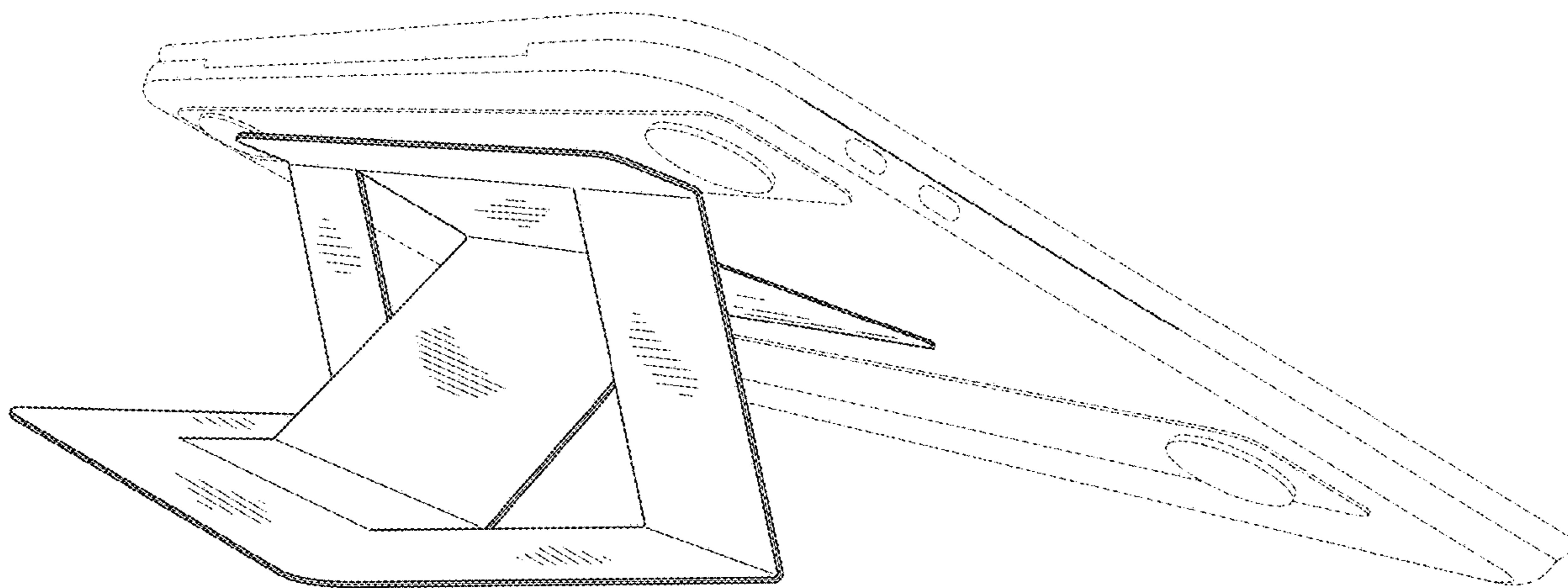
(56) **References Cited**

U.S. PATENT DOCUMENTS

D558,192 S * 12/2007 Daly D14/251
D626,964 S * 11/2010 Richardson D14/447
D651,213 S * 12/2011 Magness D14/447
D676,853 S * 2/2013 Gengler D14/447
D678,886 S * 3/2013 Heckler D14/447
D697,069 S * 1/2014 Tak D14/447
D718,772 S * 12/2014 Westrup D14/447

FIG. 1 is a front view of a foldable laptop stand, embodying my new design;
FIG. 2 is a front view thereof, but in an assembled position;
FIG. 3 is a front, right side perspective view thereof;
FIG. 4 is a front, top view thereof;
FIG. 5 is right side perspective view thereof; the left side perspective view being a mirror image;
FIG. 6 is a front, top view of the foldable laptop stand in a second assembled position; and,
FIG. 7 is a right side perspective view thereof; the left side perspective view being a mirror image.
The broken lines are included for showing features that form no part of the claim.

1 Claim, 7 Drawing Sheets



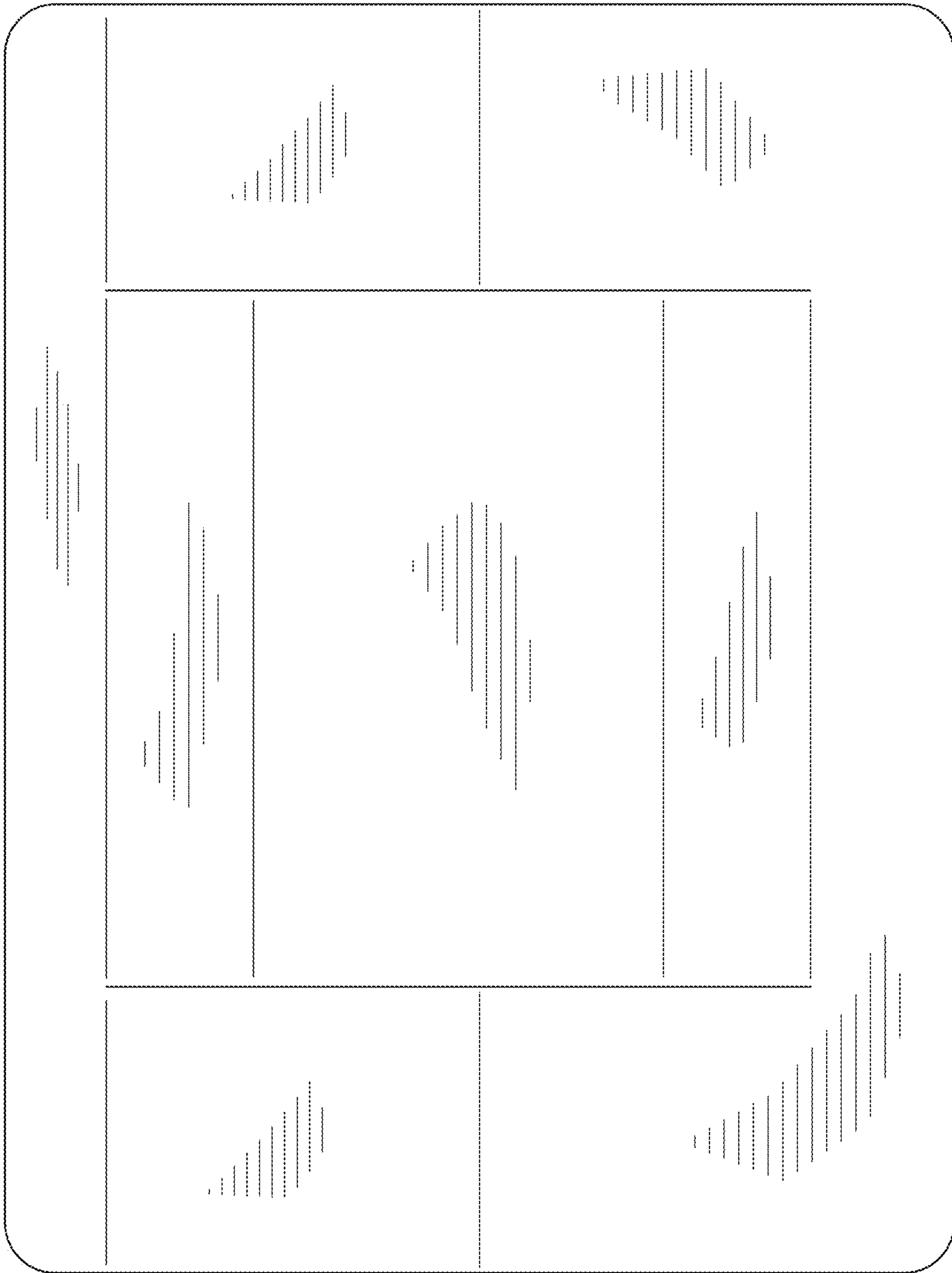


FIG. 1

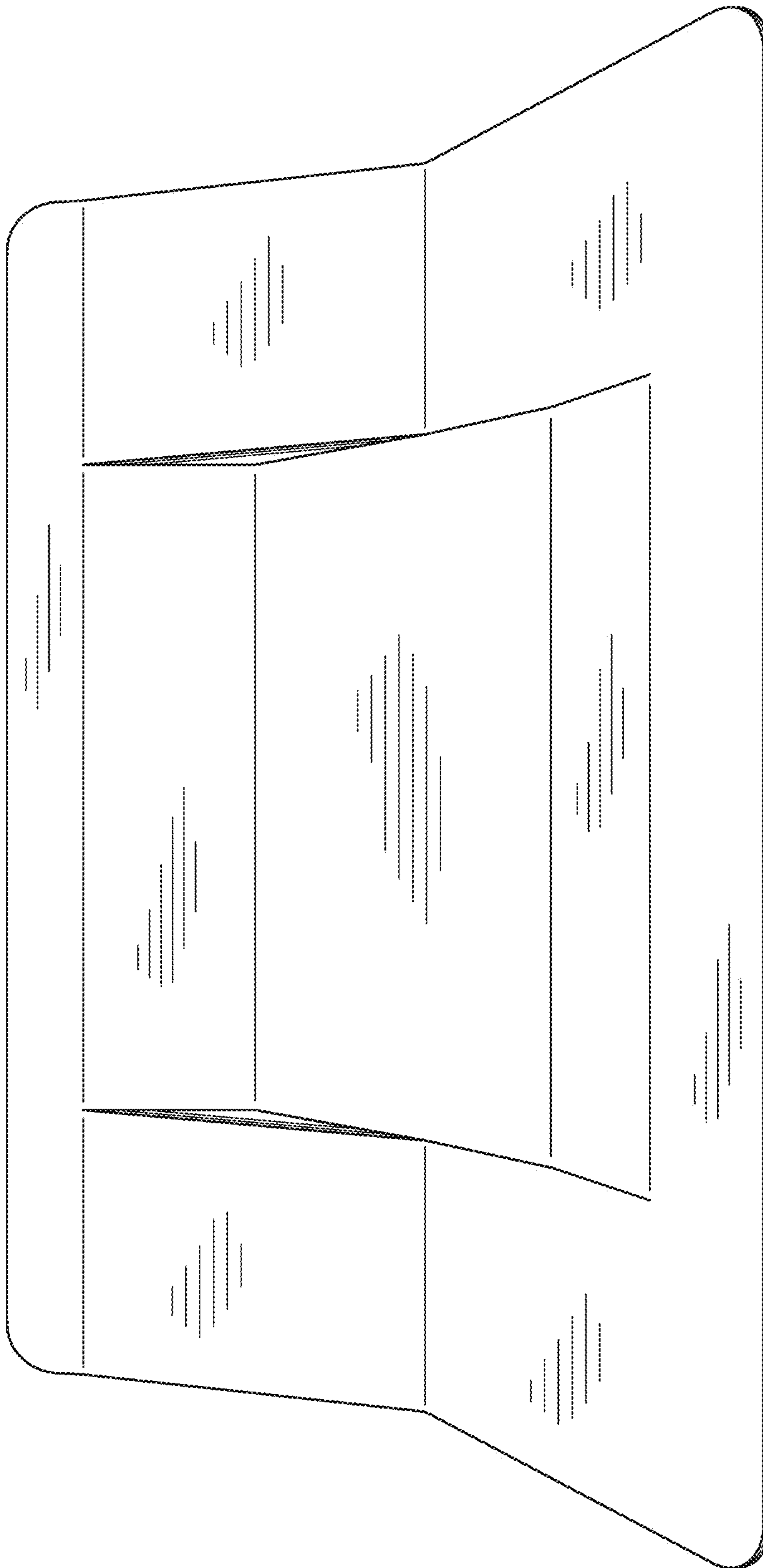


FIG. 2

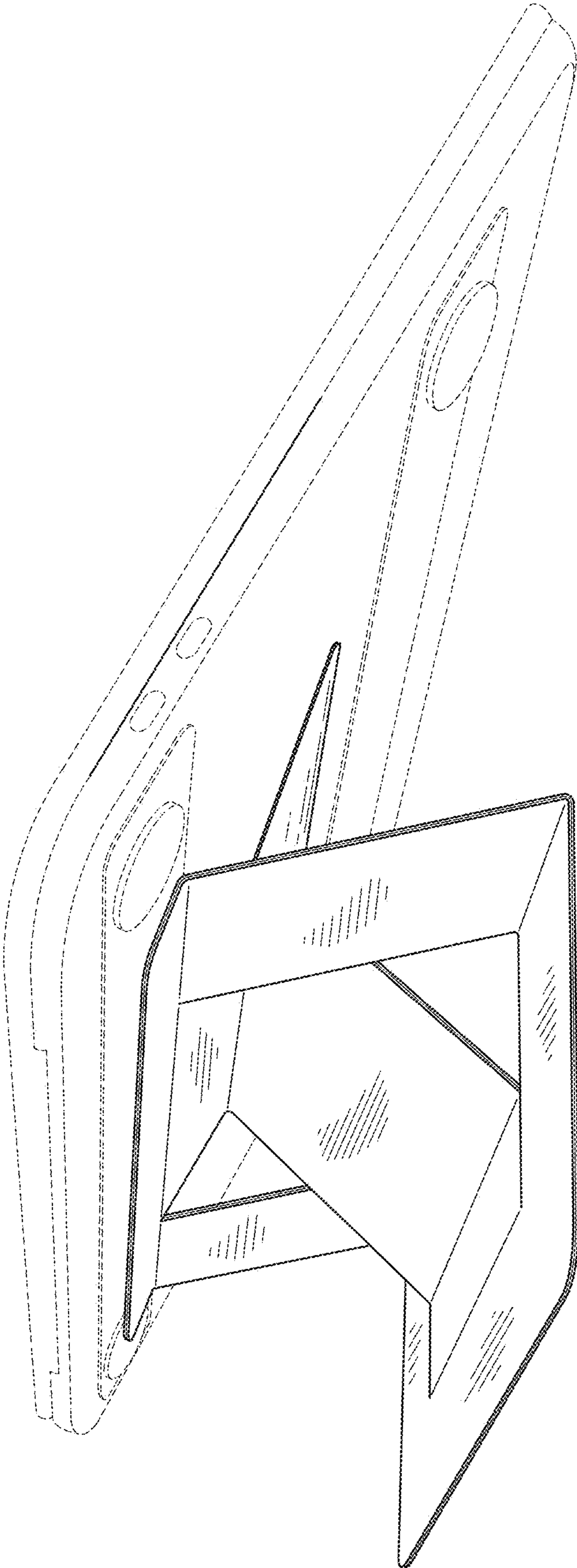


FIG. 3

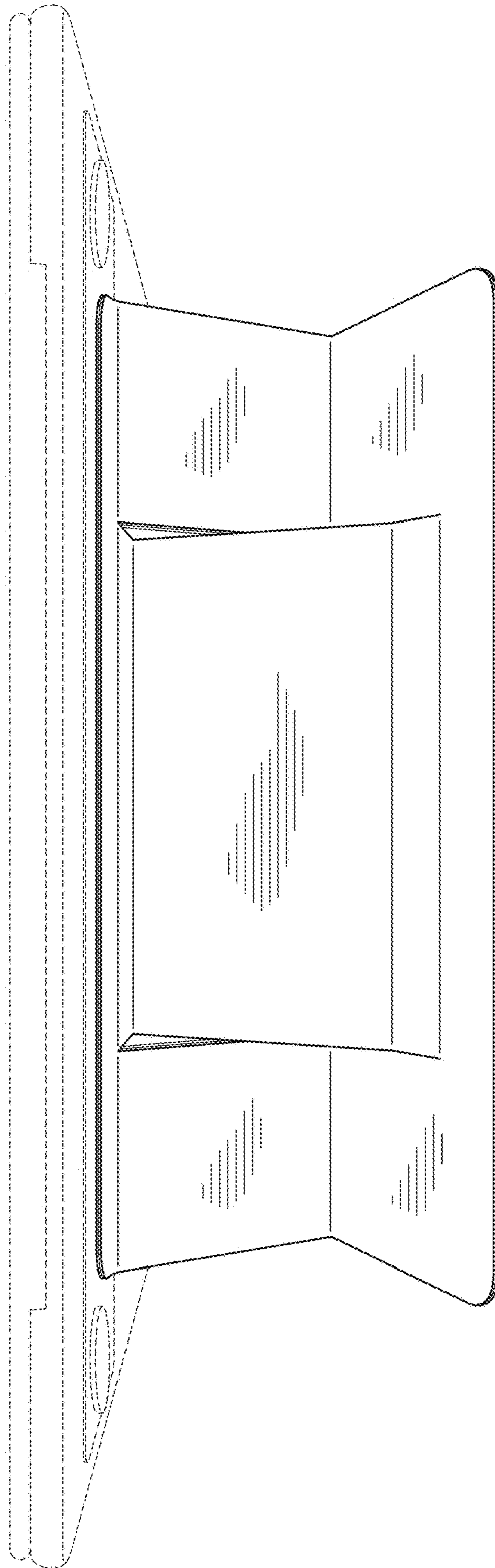


FIG. 4

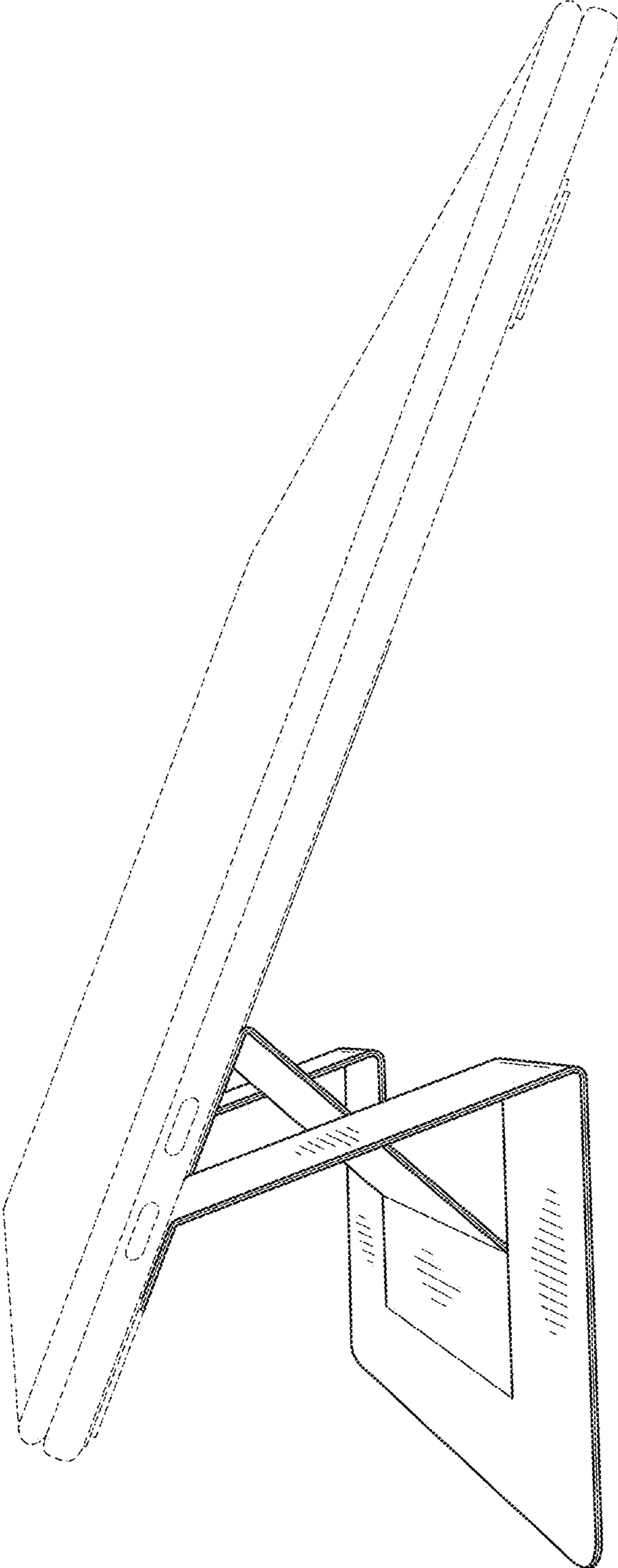


FIG. 5

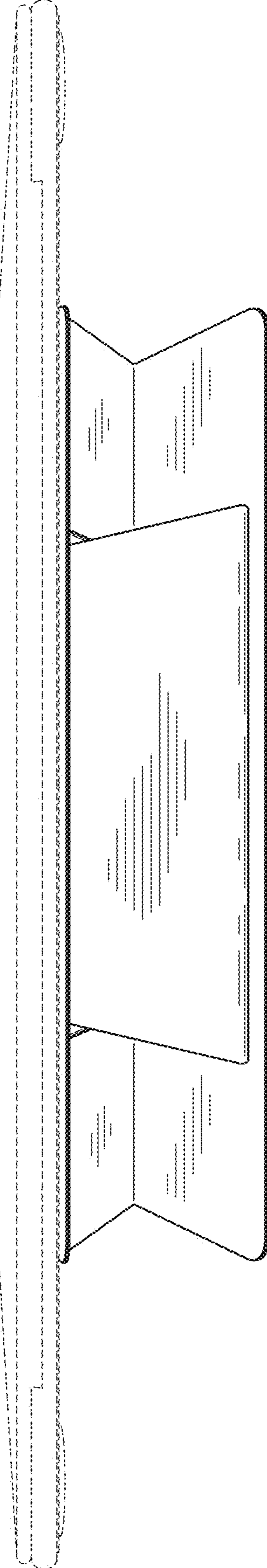


FIG. 6

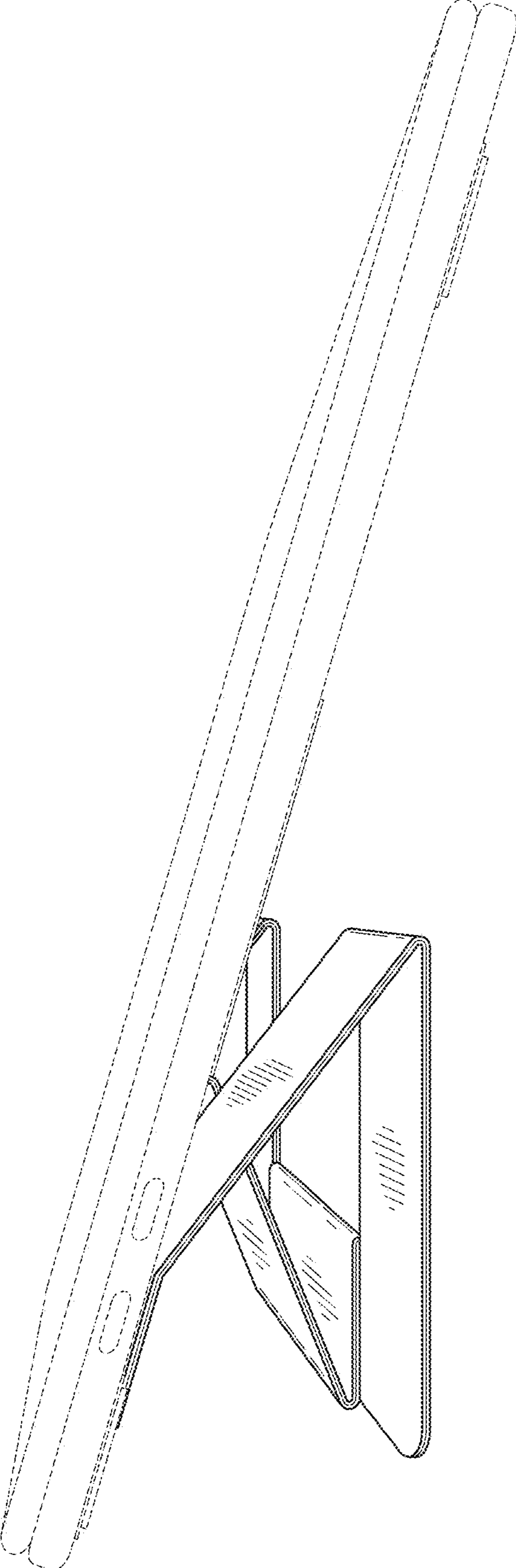


FIG. 7