



US00D912677S

(12) **United States Design Patent**
Li

(10) **Patent No.:** **US D912,677 S**
(45) **Date of Patent:** **** Mar. 9, 2021**

(54) **PROTECTIVE COVER FOR TABLETS**

(71) Applicant: **Shenzhen Honggaoda Industry Co., Ltd., Guangdong (CN)**

(72) Inventor: **Jianhui Li, Shenzhen (CN)**

(**) Term: **15 Years**

(21) Appl. No.: **29/710,230**

(22) Filed: **Oct. 22, 2019**

(30) **Foreign Application Priority Data**

Sep. 10, 2019 (EM) 006850335

(51) **LOC (13) Cl.** **14-02**

(52) **U.S. Cl.**
USPC **D14/440**

(58) **Field of Classification Search**
USPC D14/440, 447, 250; 206/45.23, 320,
206/45.2; 361/679.55; 294/25; 224/218
CPC ... G06F 1/1628; G06F 1/1626; A47B 23/044;
H04B 1/3888
See application file for complete search history.

(56) **References Cited**

U.S. PATENT DOCUMENTS

D689,056 S *	9/2013	Li	D14/440
D690,704 S *	10/2013	Padilla	D14/440
D691,144 S *	10/2013	Peters	D14/440
D691,146 S *	10/2013	Perez	D14/440
D727,917 S *	4/2015	Yeo	D14/440
D733,154 S *	6/2015	Armstrong	D14/440
D752,052 S *	3/2016	Park	D14/440
D763,853 S *	8/2016	Pearce	D14/440
D766,249 S *	9/2016	Veltz	D14/440
D784,350 S *	4/2017	Li	D14/440
D784,542 S *	4/2017	Zwierstra	D24/186
D790,550 S *	6/2017	Chen	D14/440
D803,221 S *	11/2017	Guo	D14/440

D806,080 S *	12/2017	Chen	D14/440
D807,366 S *	1/2018	Chen	D14/440
D807,369 S *	1/2018	Chen	D14/440
D807,513 S *	1/2018	Eslava	D24/186
D808,973 S *	1/2018	Chen	D14/440
D811,412 S *	2/2018	McCurdy	D14/440
D812,620 S *	3/2018	Cheng	D14/440
D821,405 S *	6/2018	Chen	D14/440
D852,200 S *	6/2019	Chan	D14/440
D854,022 S *	7/2019	Chen	D14/440
D860,212 S *	9/2019	Ahn	D14/440
D862,442 S *	10/2019	Wei	D14/250
D862,478 S *	10/2019	Ahn	D14/440
D862,479 S *	10/2019	Ahn	D14/440

(Continued)

Primary Examiner — Cynthia R Underwood

(74) *Attorney, Agent, or Firm* — ZANIP

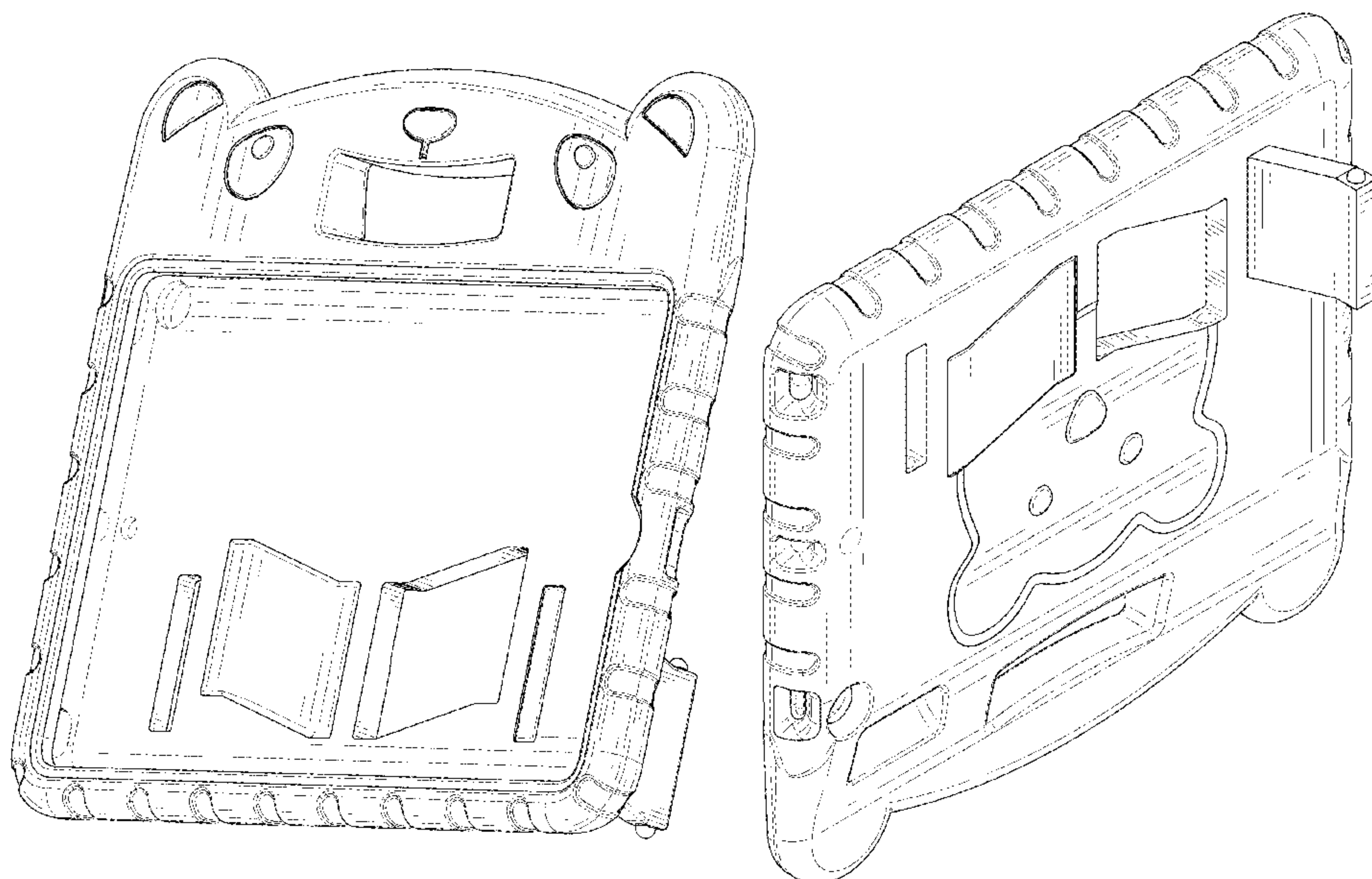
(57) **CLAIM**

The ornamental design for a protective cover for tablets, as shown and described.

DESCRIPTION

FIG. 1 is a front perspective view of, a protective cover for tablets, showing my new design;
 FIG. 2 is a rear perspective view thereof;
 FIG. 3 is a front elevational view thereof;
 FIG. 4 is a rear elevational view thereof;
 FIG. 5 is a left side devotional view thereof;
 FIG. 6 is a right side elevational view thereof;
 FIG. 7 is a top plan view thereof;
 FIG. 8 is a bottom plan view thereof; and,
 FIG. 9 is a perspective view showing the protective cover for tablets in a use status.
 The broken lines in the figures illustrate portions of the protective cover for tablets that form no part of the claimed design.
 The broken lines shown in the drawings depict environmental structure that form no part of the claimed design.

1 Claim, 9 Drawing Sheets



(56)

References Cited

U.S. PATENT DOCUMENTS

D862,480 S * 10/2019 Chan D14/440
D879,104 S * 3/2020 Li D14/440
D879,789 S * 3/2020 Li D14/440
D881,197 S * 4/2020 Chen D14/440
D881,893 S * 4/2020 Zanxiang D14/440
D881,894 S * 4/2020 Zhang D14/440
D884,709 S * 5/2020 Cheng D14/440
D886,109 S * 6/2020 Li D14/440
D893,497 S * 8/2020 Li D14/440
D897,349 S * 9/2020 Li D14/440
2007/0113458 A1* 5/2007 Wang F16M 11/10
40/753
2012/0075799 A1* 3/2012 Pollex F16M 11/041
361/679.56
2012/0145843 A1* 6/2012 Ho F16M 13/00
248/176.3
2017/0045920 A1* 2/2017 Armstrong G06F 1/1669

* cited by examiner

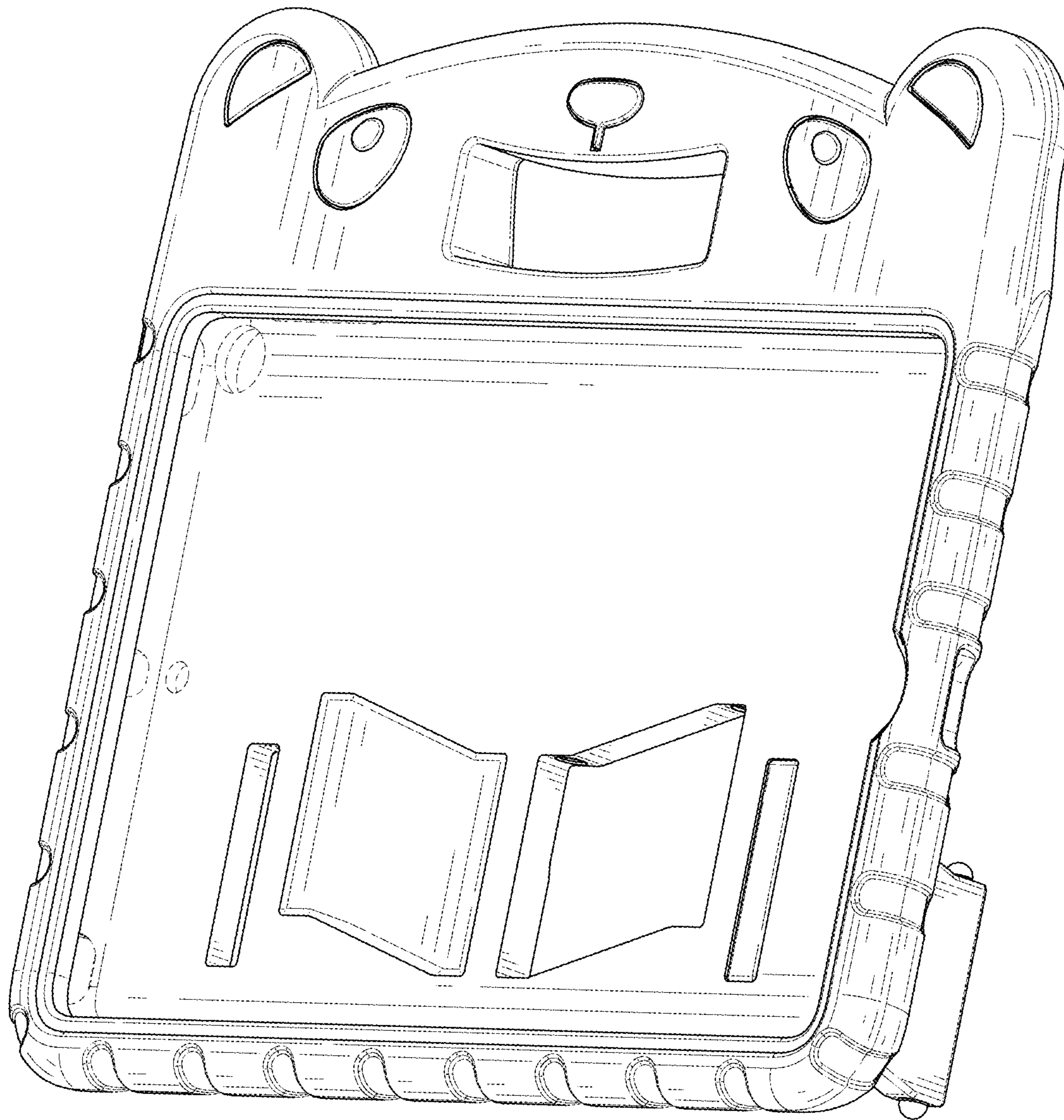


FIG. 1

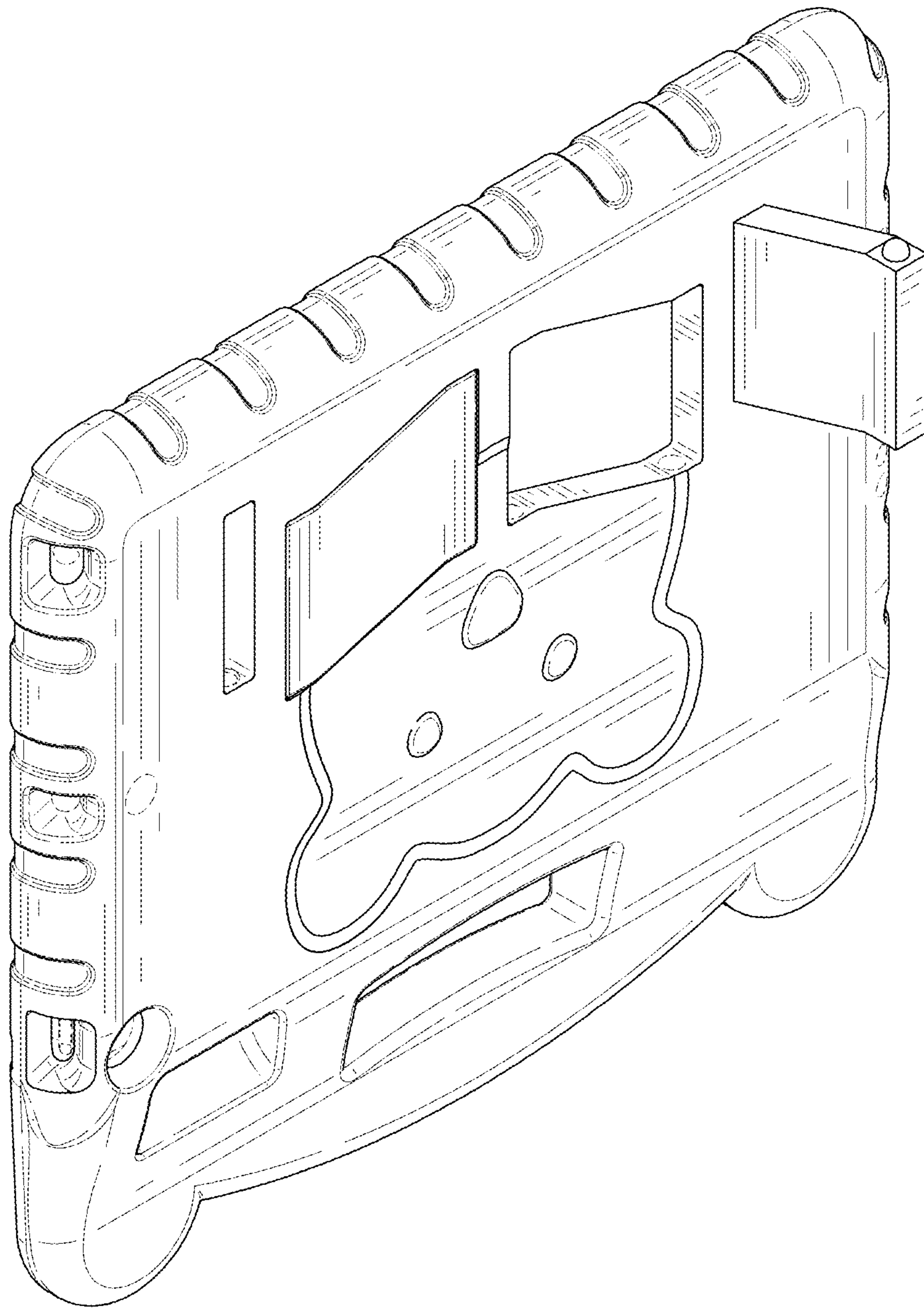


FIG. 2

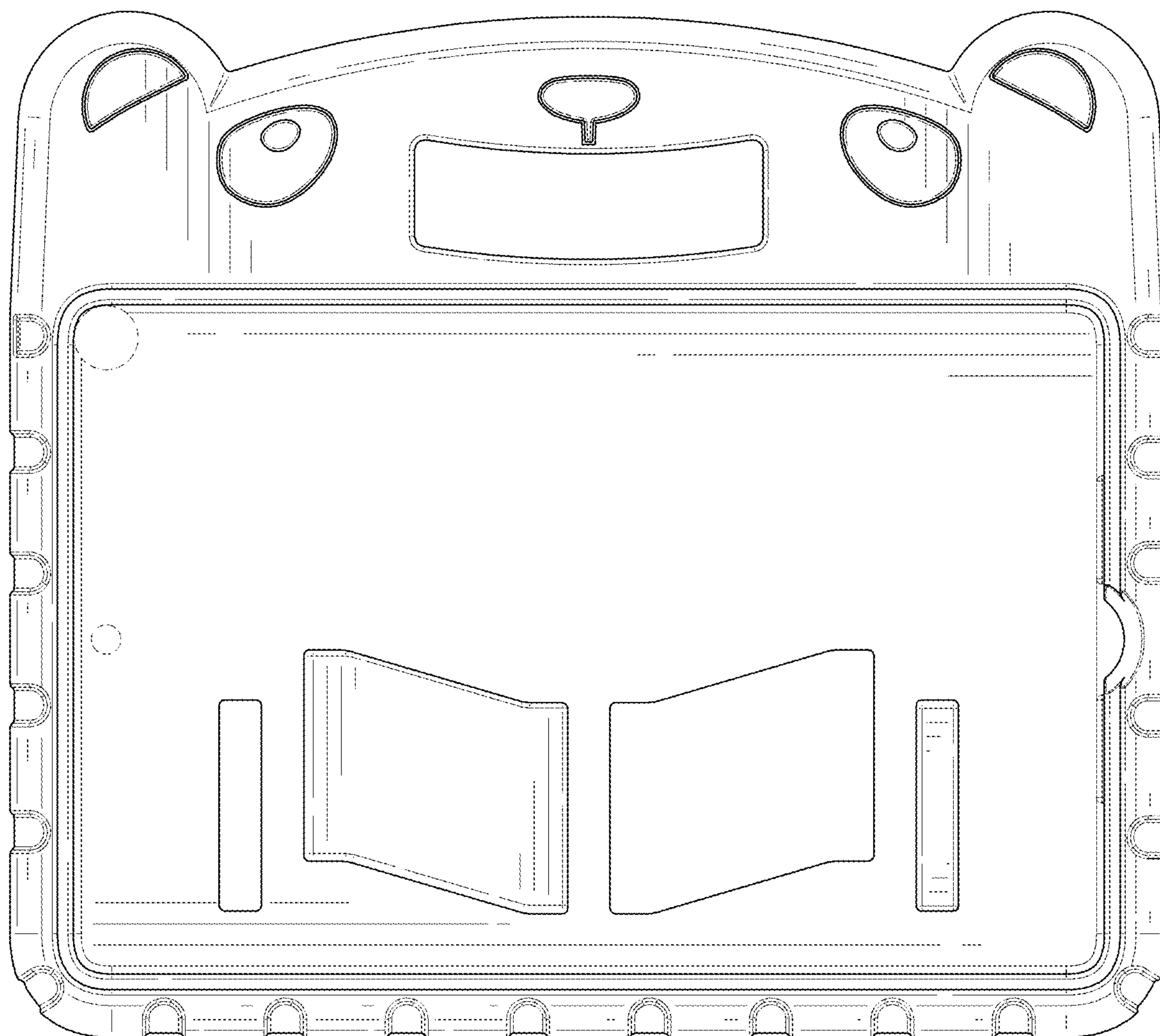


FIG. 3

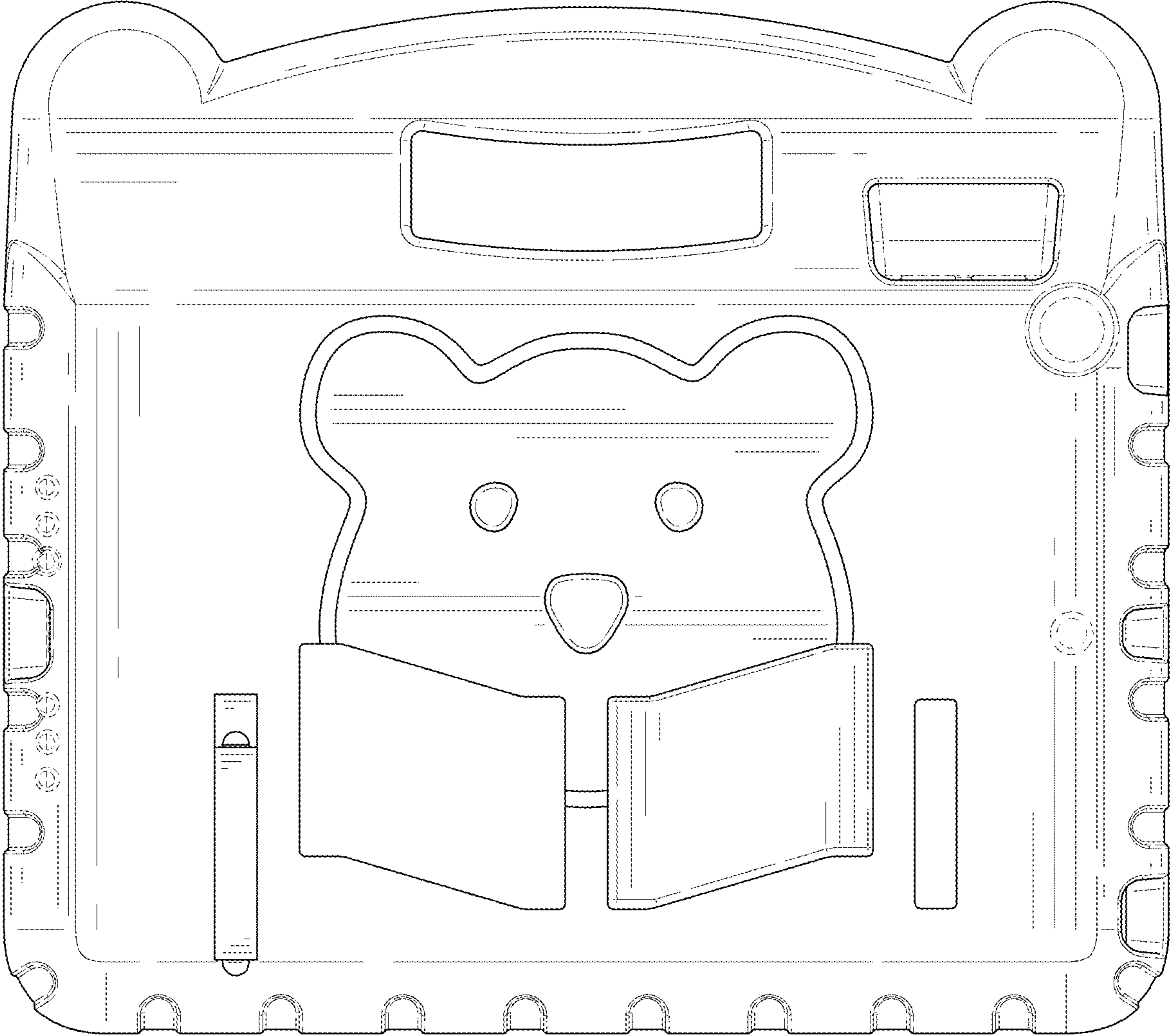


FIG. 4

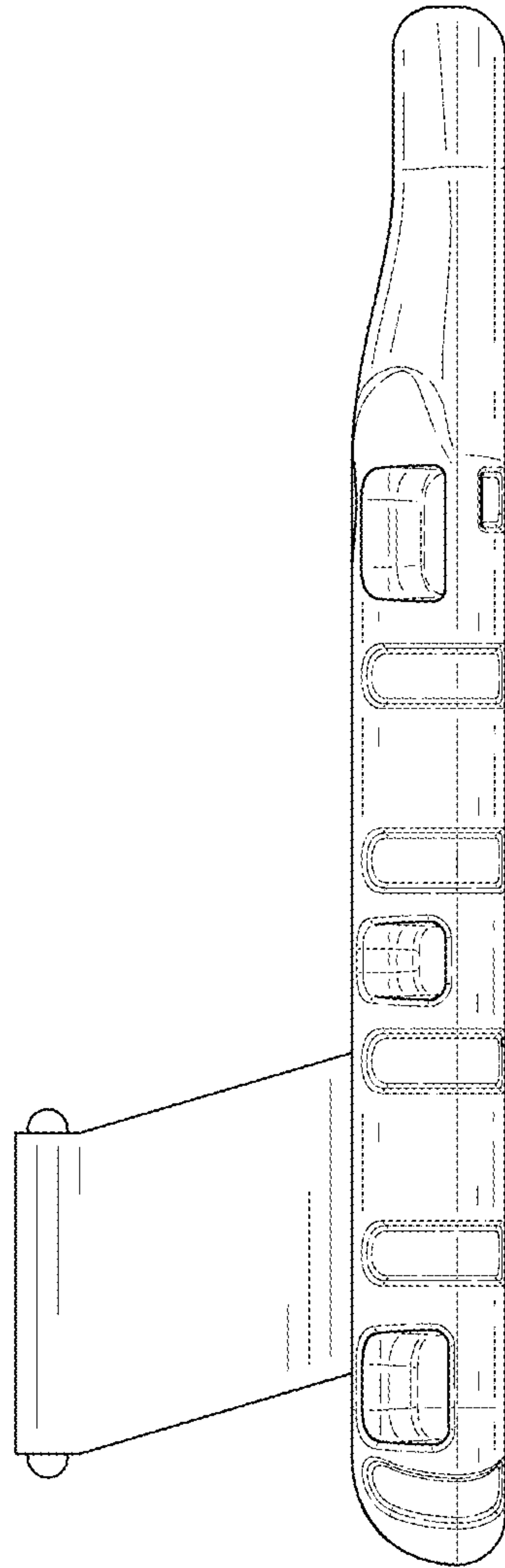


FIG. 5

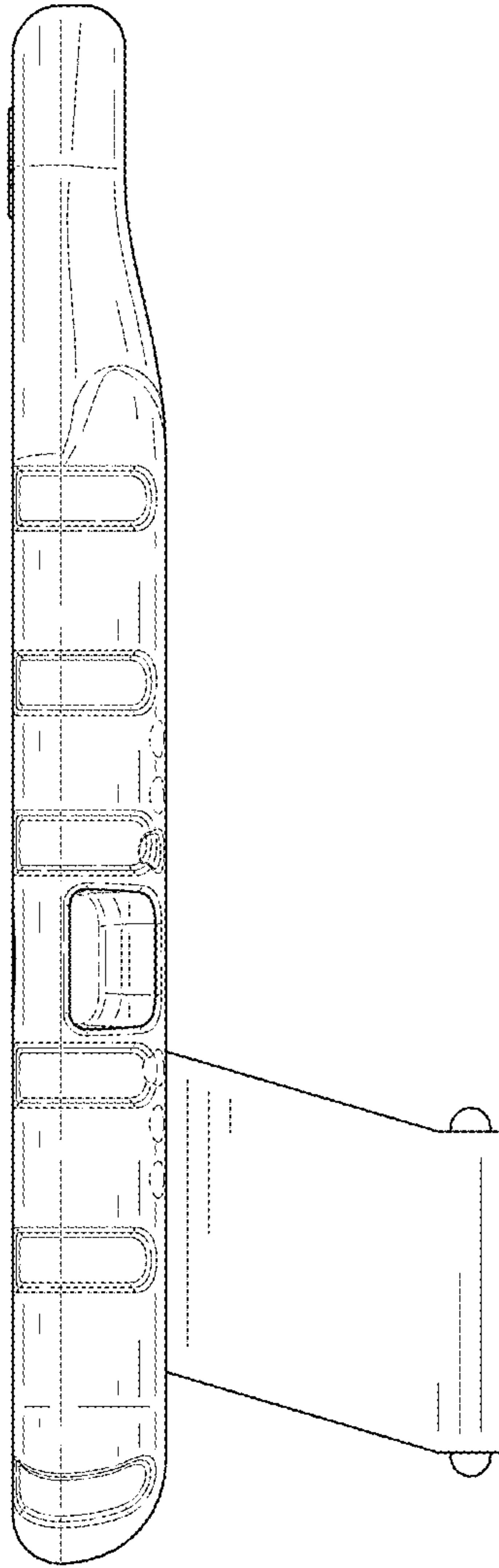


FIG. 6

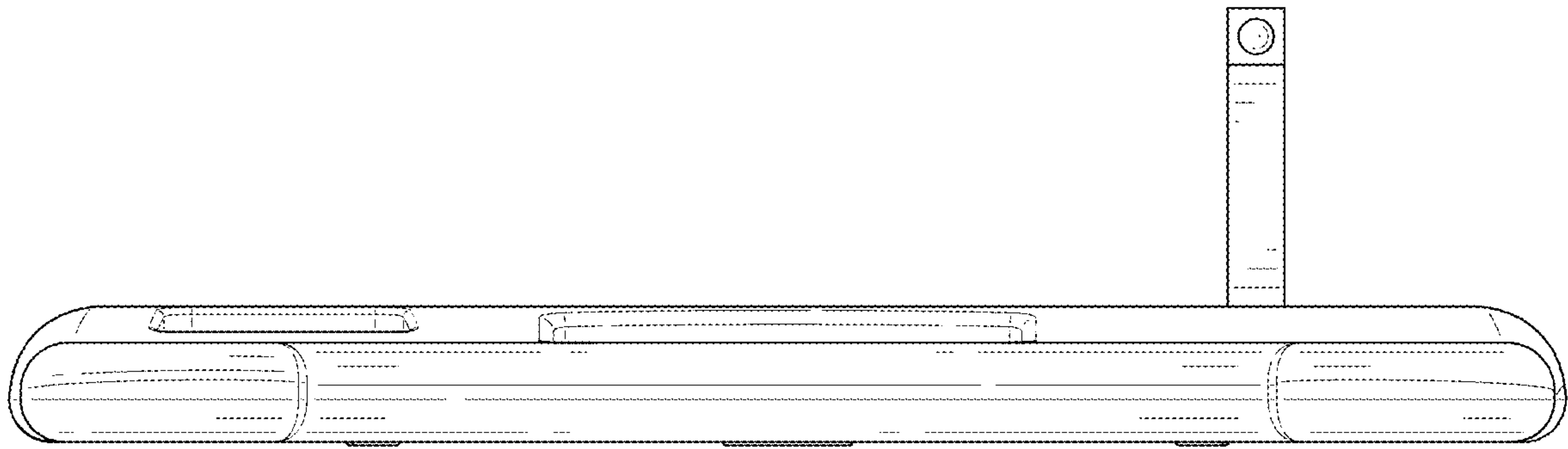


FIG. 7

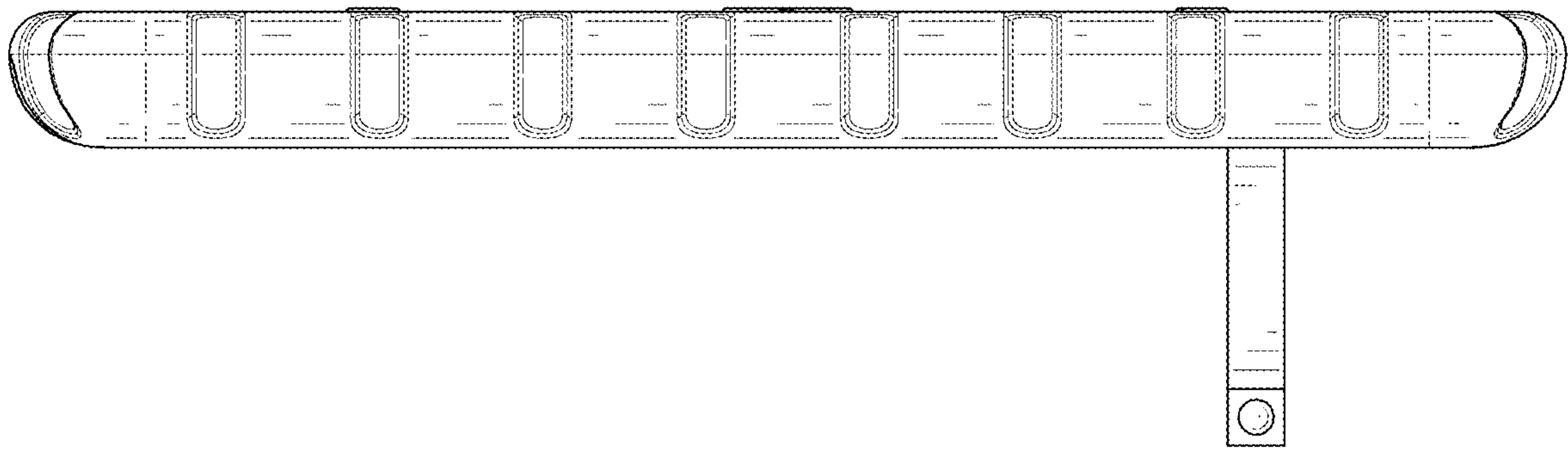


FIG. 8

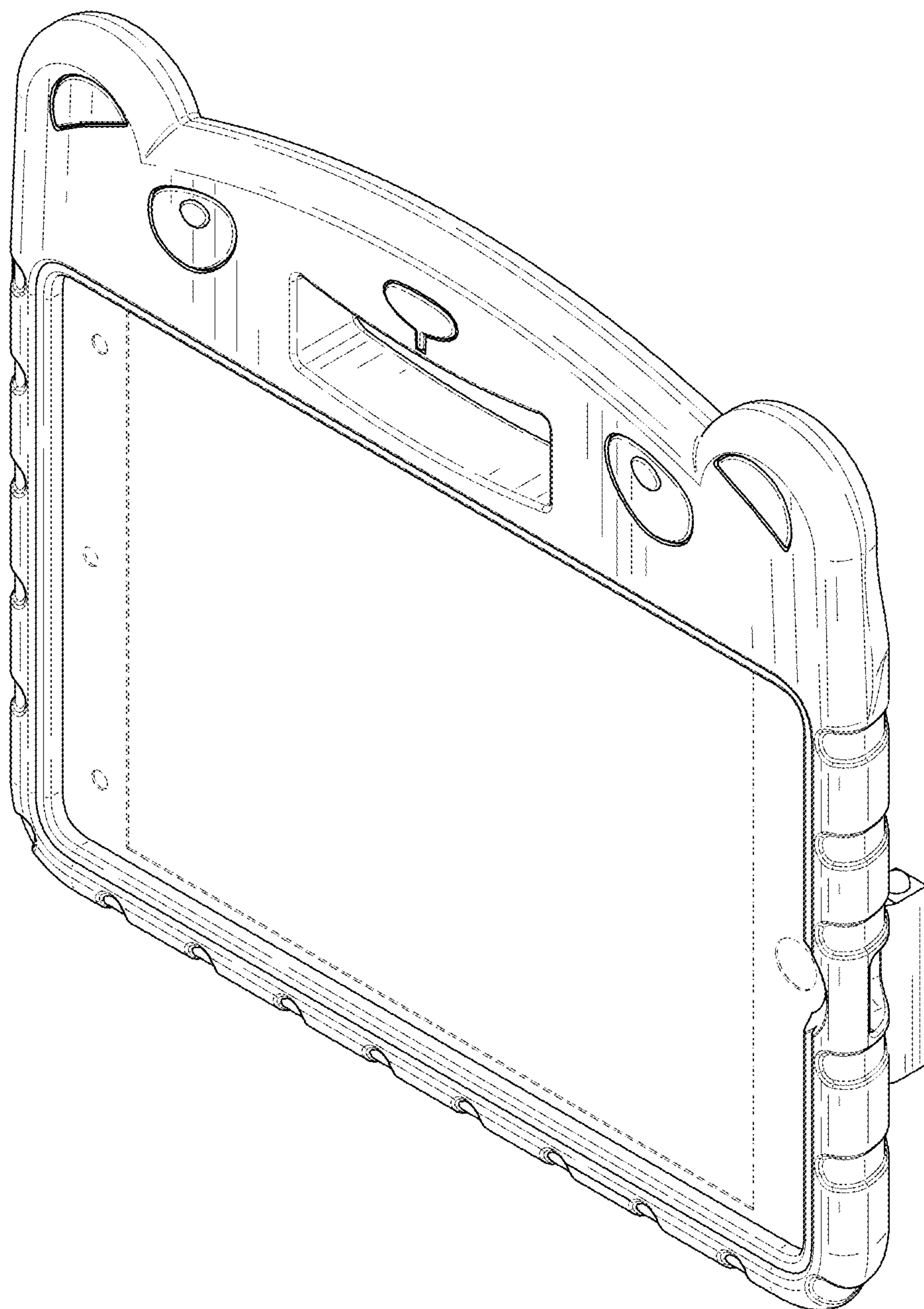


FIG. 9