



US00D912675S

(12) **United States Design Patent** (10) **Patent No.:** **US D912,675 S**  
**Kim** (45) **Date of Patent:** **\*\* Mar. 9, 2021**

(54) **CABLE HEAD**  
(71) Applicant: **SPIGEN KOREA CO., LTD.**, Seoul (KR)  
(72) Inventor: **Tae heon Kim**, Seoul (KR)  
(73) Assignee: **SPIGEN KOREA CO., LTD.**, Seoul (KR)  
(\*\*) Term: **15 Years**

D543,154 S 5/2007 Suckle et al.  
D543,156 S 5/2007 Suckle  
D543,949 S 6/2007 Victor  
D553,081 S 10/2007 Victor  
D559,781 S 1/2008 Victor  
D563,899 S 3/2008 Goetz et al.  
D567,182 S 4/2008 Victor  
D567,183 S 4/2008 Victor  
D582,353 S 12/2008 Victor  
D588,546 S 3/2009 Lee et al.  
D588,547 S 3/2009 Lee et al.

(Continued)

(21) Appl. No.: **29/714,477**  
(22) Filed: **Nov. 22, 2019**  
(51) **LOC (13) Cl.** ..... **14-02**  
(52) **U.S. Cl.**  
USPC ..... **D14/433**; D13/153  
(58) **Field of Classification Search**  
USPC ..... D13/103, 107, 108, 110, 112, 118, 120,  
D13/123, 133, 137.1, 145-147, 149-158,  
D13/173, 177, 184, 199; D14/240, 242,  
D14/432, 433, 435.1, 438, 444, 445, 447  
CPC ..... H01R 13/03; H01R 24/68  
See application file for complete search history.

**OTHER PUBLICATIONS**

The Right Brain Cook. USB Cables. No date specified. <http://www.therightbraincook.co.uk/cables/usb-cables> (Year: 0).\*

(Continued)

*Primary Examiner* — Darcey E Gottschalk  
(74) *Attorney, Agent, or Firm* — Heedong Chae; Lucem, PC

(57) **CLAIM**

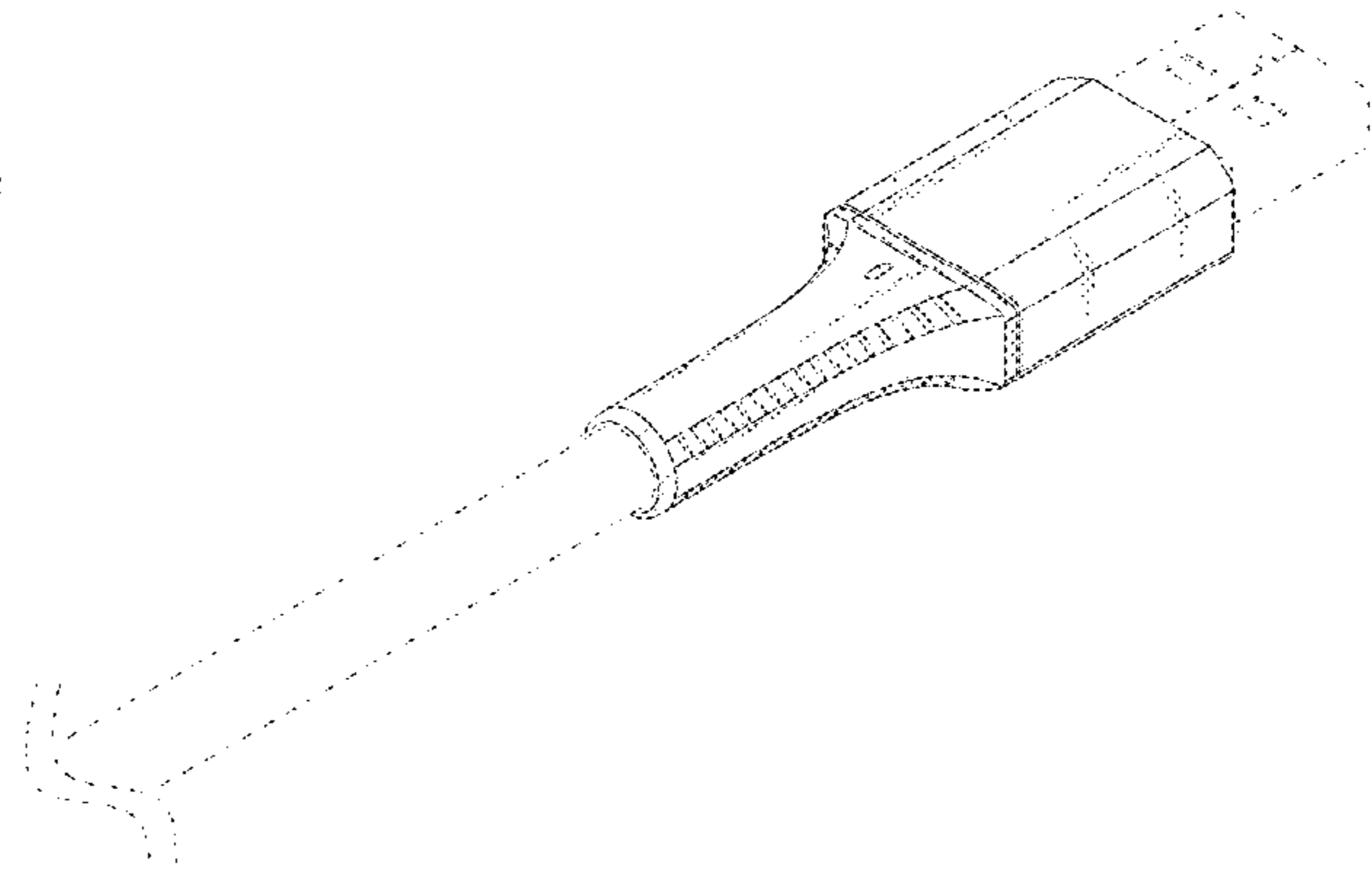
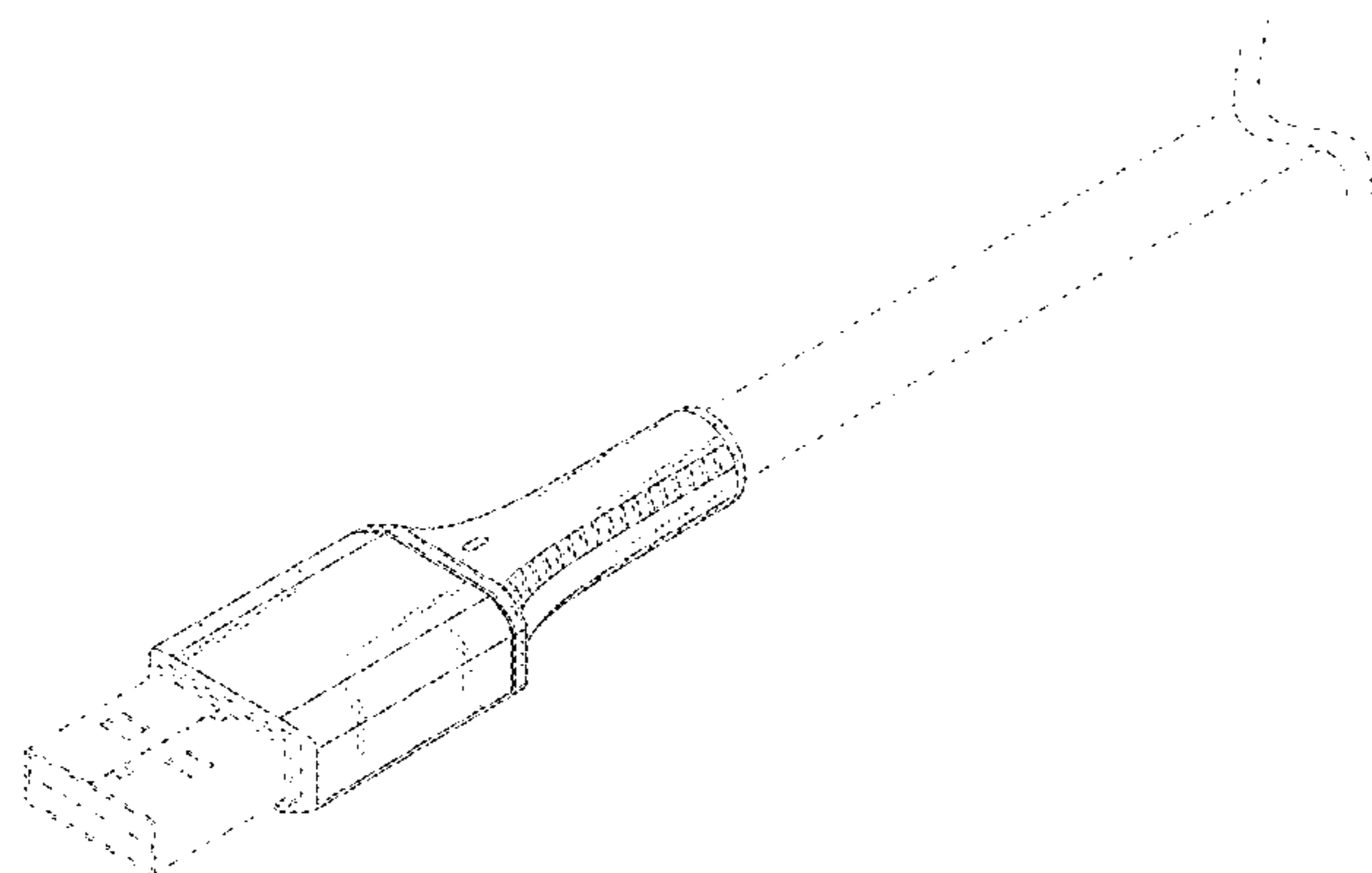
The ornamental design for a cable head, as shown and described.

**DESCRIPTION**

FIG. 1 is a front perspective view of a cable head showing my new design;  
FIG. 2 is a rear perspective view thereof;  
FIG. 3 is a front elevational view thereof;  
FIG. 4 is an enlarged rear elevational view thereof;  
FIG. 5 is a left side elevational view thereof;  
FIG. 6 is a right side elevational view thereof;  
FIG. 7 is a top plan view thereof; and,  
FIG. 8 is a bottom plan view thereof.  
The broken lines depict environmental subject matter and portions of the cable head that form no part of the claimed design.

**1 Claim, 8 Drawing Sheets**

(56) **References Cited**  
U.S. PATENT DOCUMENTS  
D503,152 S 3/2005 Suckle et al.  
D503,153 S 3/2005 Suckle et al.  
D506,184 S 6/2005 Sirichai et al.  
D507,540 S 7/2005 Suckle  
D512,381 S 12/2005 Sirichai et al.  
D513,408 S 1/2006 Suckle  
D516,032 S 2/2006 Suckle et al.  
D519,077 S 4/2006 Disbennett et al.  
D519,933 S 5/2006 Suckle et al.  
D519,934 S 5/2006 Wada et al.  
D520,457 S 5/2006 Wada et al.  
D520,458 S 5/2006 Wada et al.  
D520,459 S 5/2006 Kent et al.  
D524,759 S 7/2006 Wada et al.



(56)

References Cited

U.S. PATENT DOCUMENTS

D637,158	S	*	5/2011	Hu	.....	D13/147
D637,160	S	*	5/2011	Hu	.....	D13/147
D644,181	S	*	8/2011	Hu	.....	D13/147
D644,182	S	*	8/2011	Hu	.....	D13/147
D675,985	S		2/2013	Izen et al.		
D699,544	S		2/2014	Lin		
D800,731	S	*	10/2017	He	.....	D14/433
D810,748	S	*	2/2018	Zhang	.....	D14/433
D823,255	S	*	7/2018	De Jong	.....	D13/133
D823,261	S	*	7/2018	Uggla	.....	D13/153
D824,388	S	*	7/2018	Fawcett	.....	D14/433
D824,909	S		8/2018	Namala		
D832,263	S	*	10/2018	Chen	.....	D14/433
D841,008	S	*	2/2019	Yu	.....	D14/433
D846,548	S		4/2019	Wilson		
D851,047	S	*	6/2019	Zhang	.....	D13/153
10,374,361	B1	*	8/2019	Lien	.....	H01R 24/68
D878,292	S	*	3/2020	Wu	.....	D13/110
D882,524	S	*	4/2020	Rong	.....	D13/153
2013/0084760	A1	*	4/2013	Siahaan	.....	H01R 13/03 439/887

OTHER PUBLICATIONS

“Monoprice 16ft 5M USB 2.0 A Male to A Female Active Extension / Repeater Cable use with PlayStation, Xbox, Kinenct, Oculus VR, USB Flash Drive, Card Reader, Hard Drive, Keyboard, Printer, Camera and More!”, <https://www.amazon.com/Monoprice-Extension-Repeater-PlayStation-Keyboard/dp/B009GUTFX8>, First review date of Feb. 12, 2010, Downloaded May 26, 2020.

“C2G/Cables To Go 52119 USB Extension Cable—USB 2.0 A Male to A Female Extension Cable, Black (6 Inches)”, <https://www.amazon.com/C2G-52119-USB-Extension-Cable/dp/B00CJG2ZYM>, First review date of Jun. 25, 2014, Downloaded May 26, 2020.

“Printer Cable 25 ft, SNANSHI USB Printer Cable 25 Foot USB 2.0 Type A Male to Type B Male Printer Scanner Cable for HP, Canon, Lexmark, Epson, Dell, Xerox, Samsung etc”, <https://www.amazon.com/Printer-SNANSHI-Scanner-Lexmark-Samsung/dp/B016TTAAGO>, First review date of Sep. 12, 2015, Downloaded May 26, 2020.

“USB Printer Cable 25 ft—USB 2.0 Scanner Lead Gold Plated Type A to B Male Printer Scanner Cord Compatible for Canon, Epson, HP, Lexmark, Dell, Xerox, Samsung (25ft)”, <https://www.amazon.com/WAWPI-Gold-Plated-USB-Cable-Male/Dp/B01EAY3BKM>, First review date of Jun. 16, 2016, Downloaded May 26, 2020.

“Agvee 3A Fast Heavy Duty [4 Pack 1ft 3ft 6ft 6ft] Micro USB Charger Cable Android Charging Phone Cord for Samsung Galaxy S7, S6, J7, J3 [V, Luna, Prime, Star, 2017], LG V10 K20, Moto G4, PS4, Gray”, <https://www.amazon.com/dp/B0741DPYKX>, First review date of Jul. 18, 2017, Downloaded May 26, 2020.

“Xcords USB C to Lightning Cable, Nylon Braided [2Pack 6FT Apple Mfi Certified] Charging Syncing Cord Compatible with iPhone 11/11Pro/11Pro MAX/XS/XS MAX/XR/X/8/8Plus (Use USB-C Wall Charger)”, <https://www.amazon.com/Xcords-Lightning-Certified-Charging-Compatible/dp/B082WRZR1J>, First review date of Jan. 31, 2018, Downloaded May 26, 2020.

“Micro USB Cable 10ft, Cabepow Android Charger Cable, Durable Premium Nylon Braided Fast Phone Charger Cord Android USB Charging Cord Compatible with Samsung Galaxy S7 S6 S7 Edge S5,Note 5,PS4,(3pack)”, <https://www.amazon.com/CABEPOW-Cabler3Pack-Charging-Motorola-More-Red/dp/B07JBN6C5C>, First review date of Oct. 12, 2018, Downloaded May 26, 2020.

“USB to USB 3.0 Cable, Besgoods 2-Pack 1.5ft Short Braided USB 3.0 A to A Cable—A Male to Male USB Cable Cord for Laptop Cooling Pad, DVD Players, Hard Drive Enclosures, White”, <https://www.amazon.com/Cable-Besgoods-2-Pack-1-5ft-Braided/dp/B07BKRS1W5>, First review date of Dec. 28, 2017, Downloaded Jun. 25, 2020.

“Micro USB Cable Android Charger, JSAUX (2-Pack 6.6FT) Micro USB Android Charger Cable Nylon Braided Cord Compatible with Samsung Galaxy S7 S6 J7 Note 5, Kindle, Xbox, PS4 and More-Blue”, <https://www.amazon.com/Android-JSAUX-Charger-Braided-Compatible/dp/B07H91JTCD>, First review date of Jun. 24, 2018, Downloaded Jun. 25, 2020.

“JSAUX USB 3.0 A to A Male Cable, USB 3.0 to USB 3.0 Cable 2 Pack(3.3ft+6.6ft) USB Male to Male Cable Double End USB Cord Compatible for Hard Drive Enclosures, DVD Player, Laptop Cooler and More (Red)”, <https://www.amazon.com/JSAUX-Double-Enclosures-Player-Laptop/dp/B07L72TL6K>, First review date of Dec. 28, 2018, Downloaded Jun. 25, 2020.

“2 Pack Ainope USB 3.0 Extension Cable Type A Male to Female Extension Cord 6.6FT Durable Braided Material Fast Data Transfer Compatible with USB Keyboard,Mouse,Flash Drive, Hard Drive,Printer”, <https://www.amazon.com/AINOPE-Extension-Material-Transfer-Compatible/dp/B07RCIRMGKB>, First review date of Jun. 26, 2019, Downloaded Jun. 25, 2020.

“USB C Cable,Mkeke USB Type C Cable Fast Charger [3-Pack, 1/1.5/1.8M] Type C Charging Cable Nylon Braided”, <https://www.amazon.com/USB-Mkeke-Charging-Charger-Compatible/dp/B07WWF89MS>, First review date of Sep. 2, 2019, Downloaded Jun. 25, 2020.

\* cited by examiner

FIG. 1

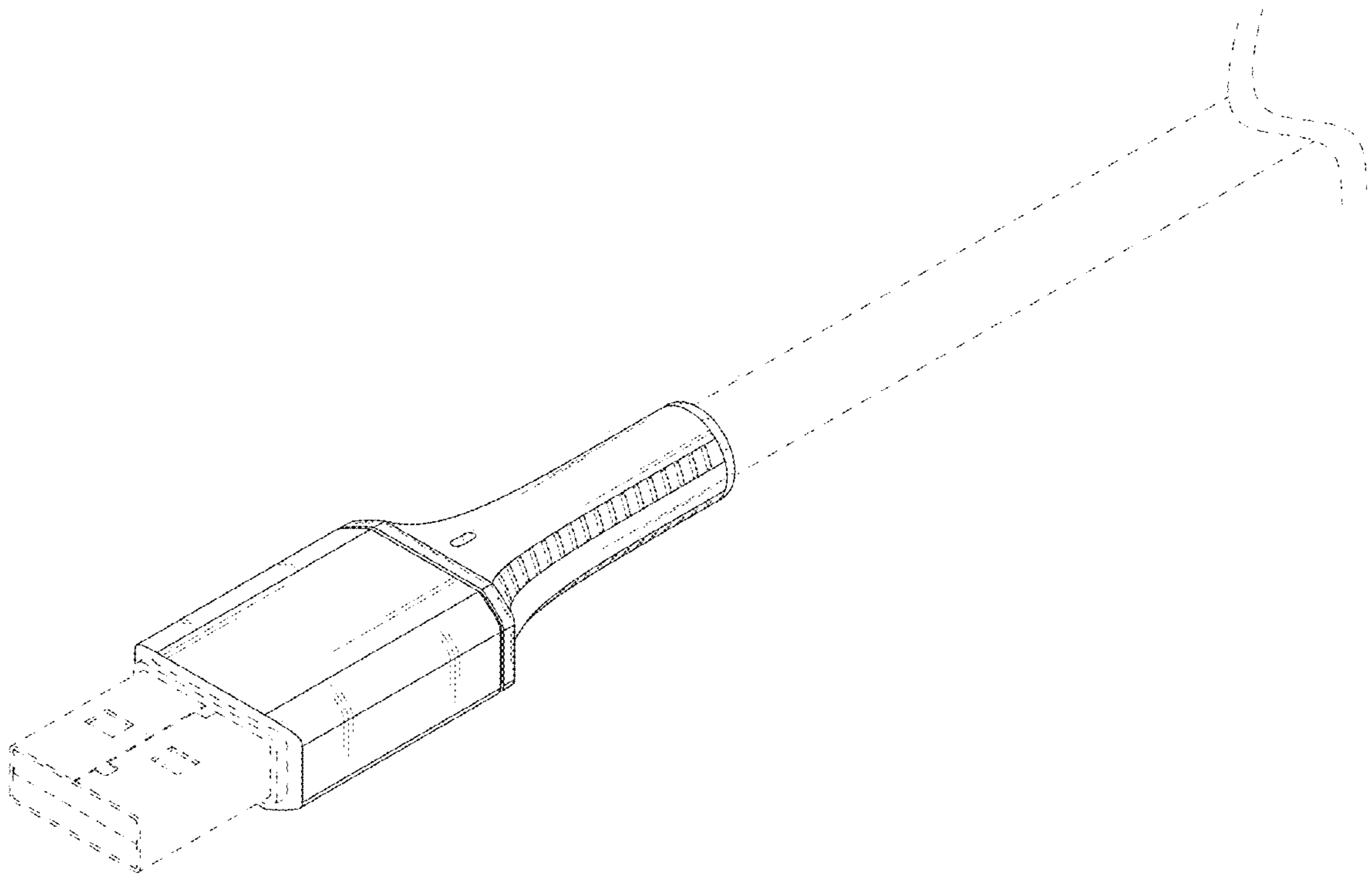


FIG. 2

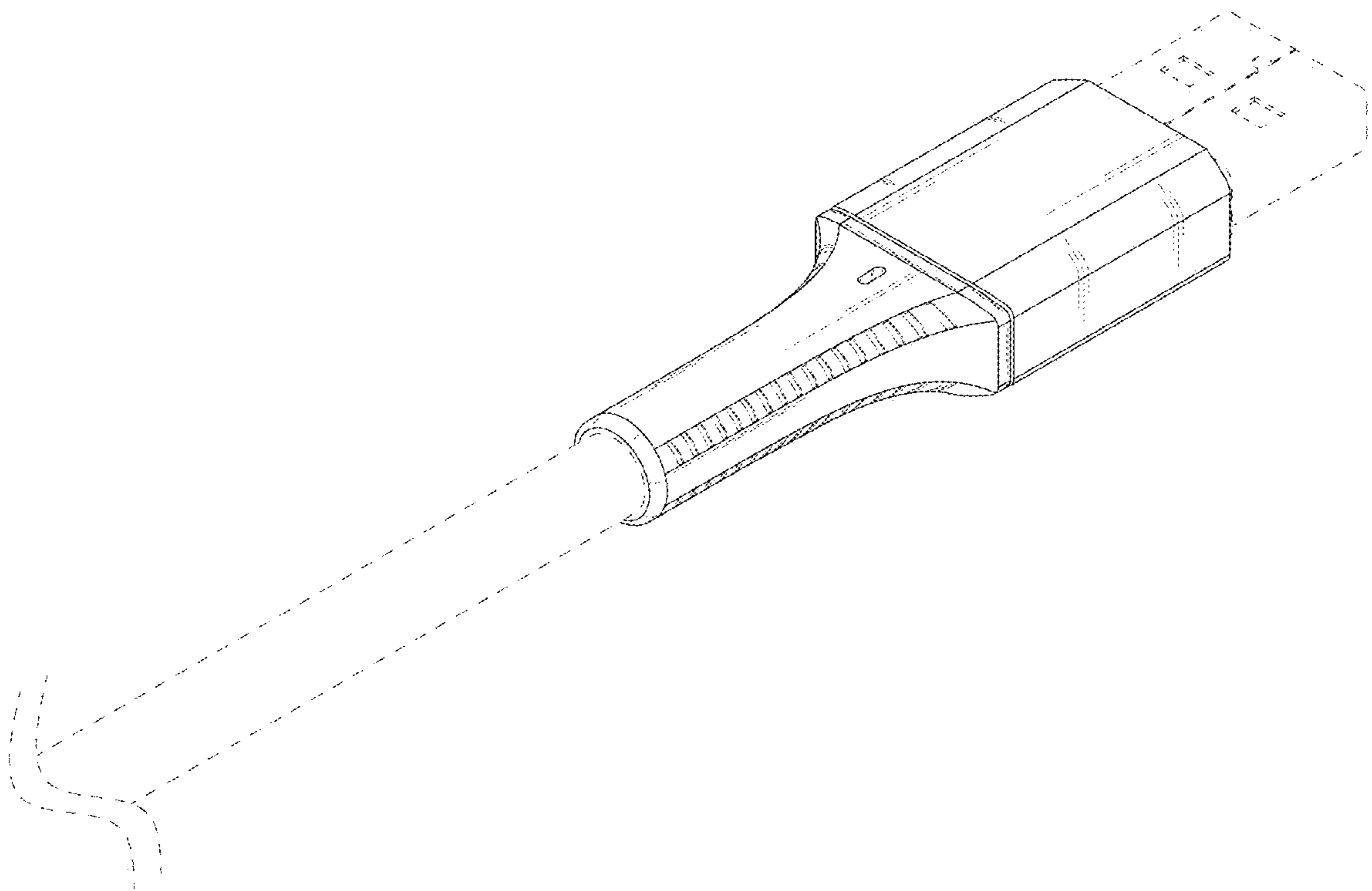


FIG. 3

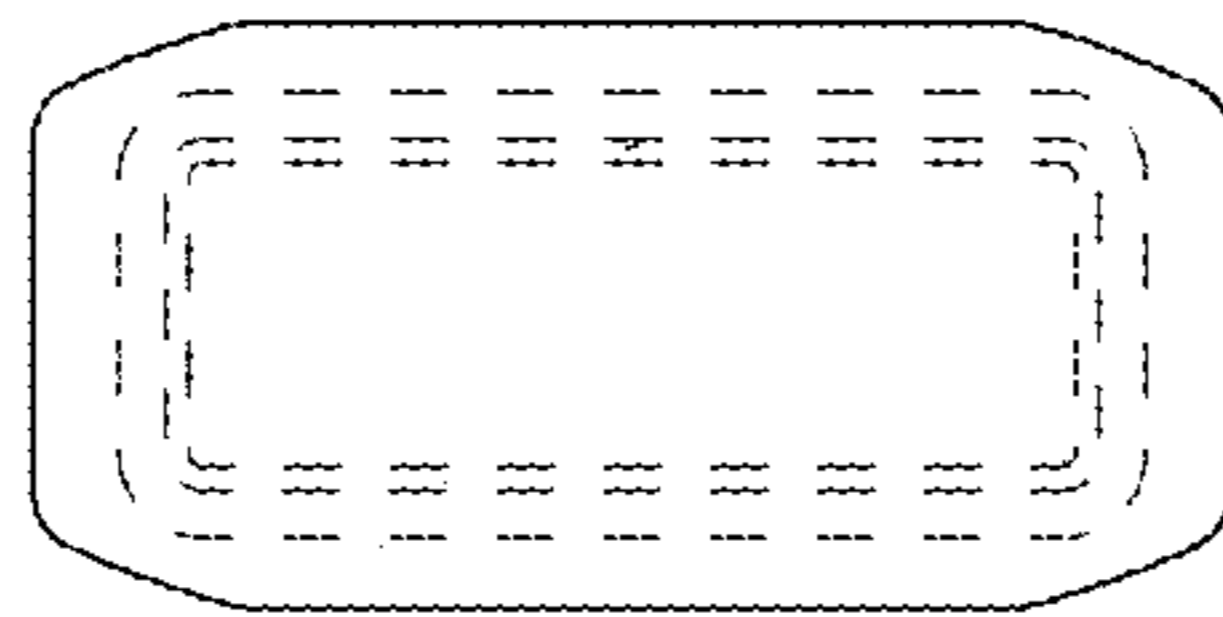


FIG. 4

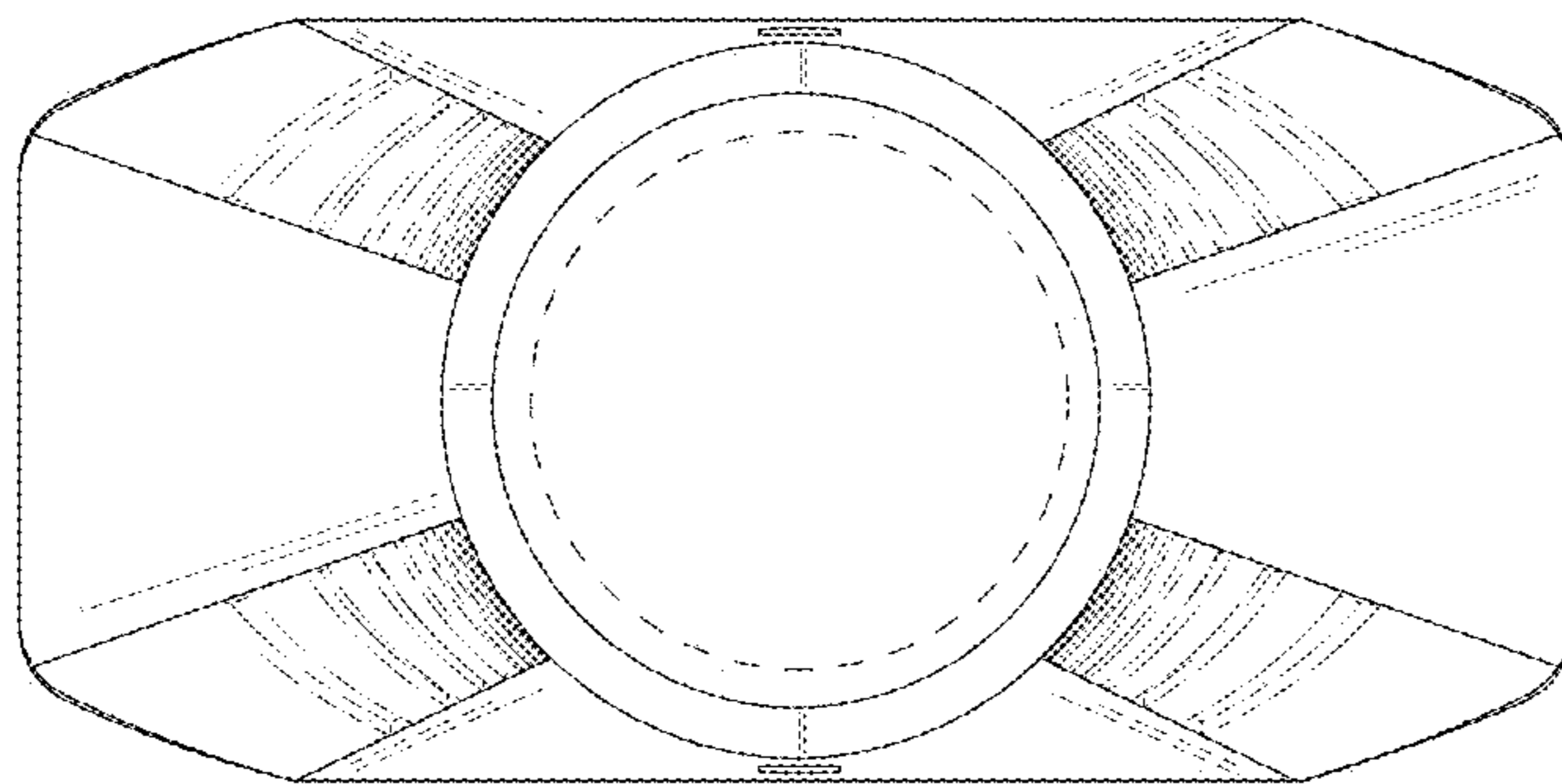


FIG. 5

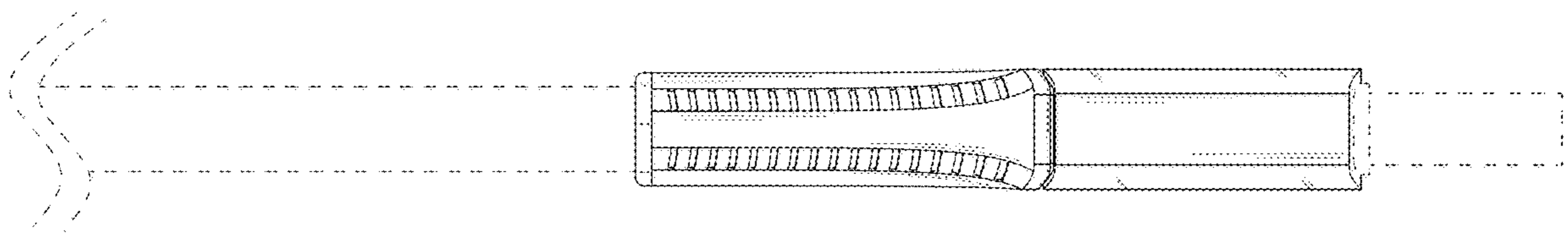


FIG. 6

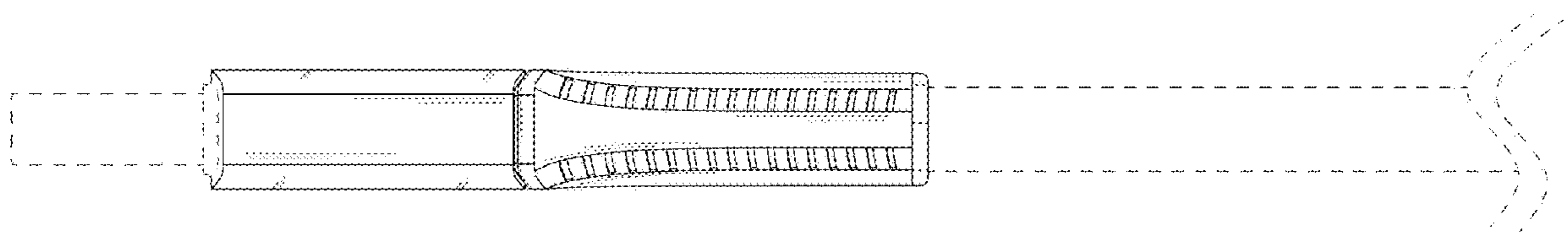




FIG. 7

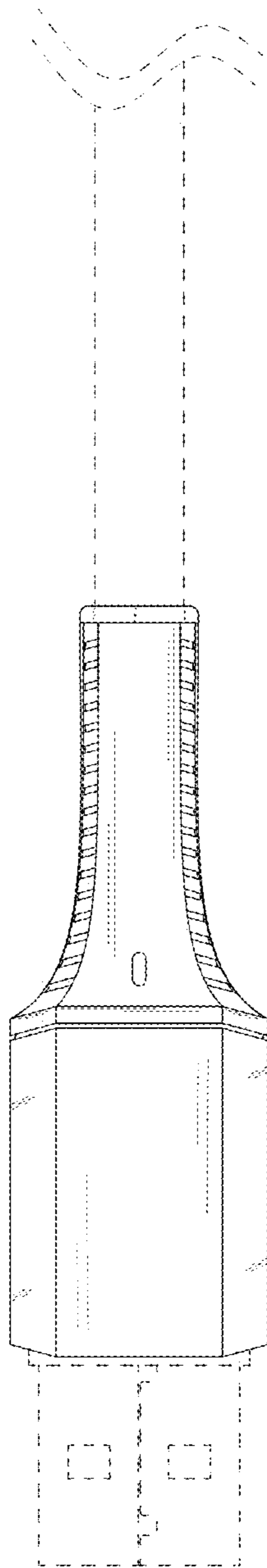


FIG. 8

