



US00D912674S

(12) **United States Design Patent** (10) **Patent No.:** **US D912,674 S**
Wu (45) **Date of Patent:** **** *Mar. 9, 2021**

(54) **ADAPTER**

(71) Applicant: **Dongguan Kingtron Electronics Technology Co., Ltd.**, Guangdong (CN)

(72) Inventor: **Shihong Wu**, Guangdong (CN)

(73) Assignee: **DONGGUAN KINGTRON ELECTRONICS TECHNOLOGY CO., LTD.**, Dongguan (CN)

(*) Notice: This patent is subject to a terminal disclaimer.

(**) Term: **15 Years**

(21) Appl. No.: **29/633,134**

(22) Filed: **Jan. 12, 2018**

(30) **Foreign Application Priority Data**

Oct. 23, 2017 (CN) 201730505670.3

(51) **LOC (13) Cl.** **14-02**

(52) **U.S. Cl.**
USPC **D14/433**

(58) **Field of Classification Search**
USPC D18/4.4, 4.5, 4.6, 12, 12.1, 12.3;
D14/383, 384, 385, 386, 378
CPC G06K 19/07749; G06K 19/0723; G06K 19/041; G06K 19/07758; G06K 19/0775; G06K 19/07783; G06K 19/07794; G06K 19/06046; G06K 19/07722; G06K 19/07773; G06K 19/07779; G06K 19/07784; G06K 19/07786; G06K 19/0709

See application file for complete search history.

(56) **References Cited**

U.S. PATENT DOCUMENTS

D413,574 S *	9/1999	Goto	D13/146
D430,882 S *	9/2000	Tsai	D14/434
D689,858 S *	9/2013	Lo	D14/357
D692,024 S *	10/2013	Seong	D14/496
D750,083 S *	2/2016	Chow	D14/434
D798,301 S *	9/2017	Kujawski	D14/433
D826,942 S *	8/2018	Lu	D14/433
D828,355 S *	9/2018	Xie	D14/433
D828,356 S *	9/2018	Xie	D14/433
D828,839 S *	9/2018	Zhang	D14/433
D828,840 S *	9/2018	Zhang	D14/433
D828,841 S *	9/2018	Zhang	D14/433
D830,366 S *	10/2018	Turksu	D14/433

* cited by examiner

Primary Examiner — Austin Murphy

(74) *Attorney, Agent, or Firm* — Li & Cai Intellectual Property (USA) Office

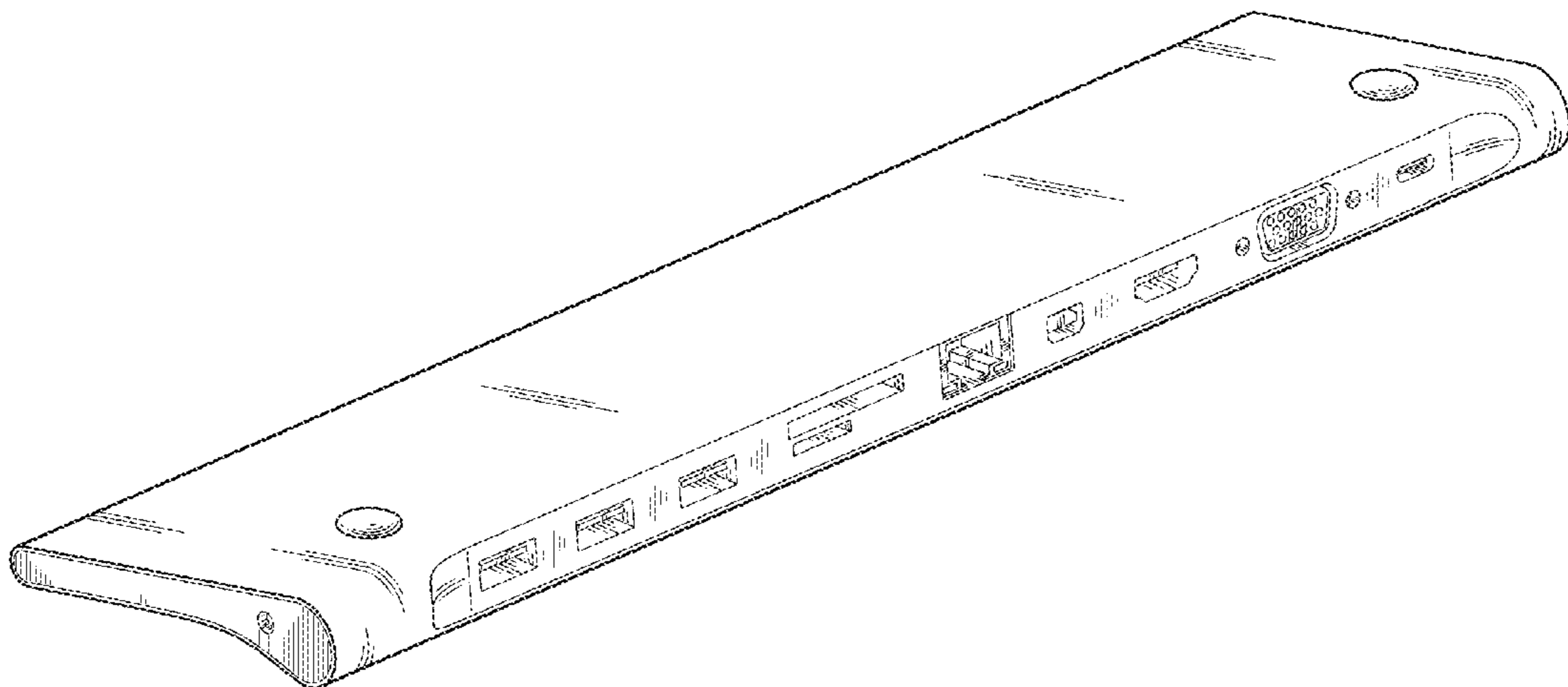
(57) **CLAIM**

The ornamental design for an adapter, as shown and described.

DESCRIPTION

FIG. 1 is a perspective view of the design for the adapter; FIG. 2 is a front view thereof; FIG. 3 is a rear view thereof; FIG. 4 is a top view thereof; FIG. 5 is a bottom view thereof; FIG. 6 is a left view thereof; and, FIG. 7 is a right view thereof.

1 Claim, 6 Drawing Sheets



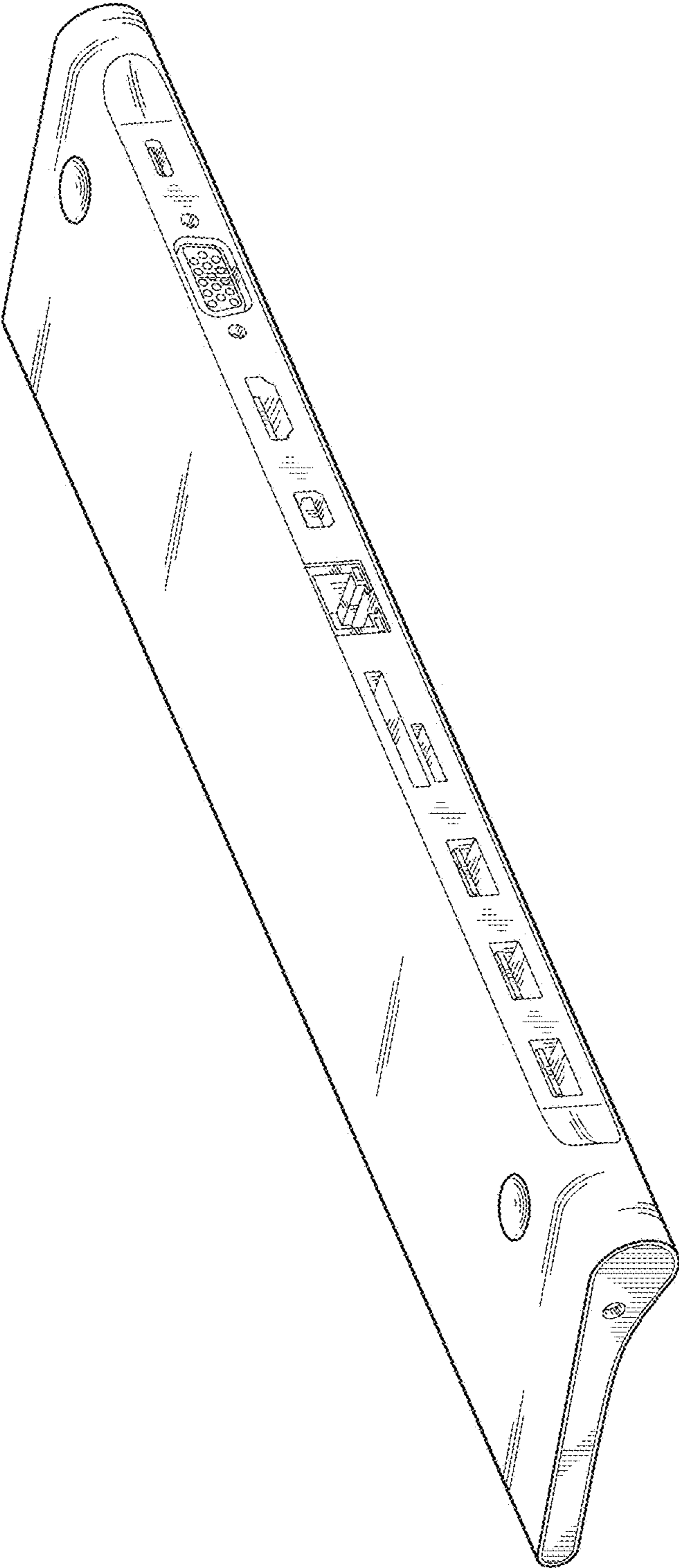


Fig. 1

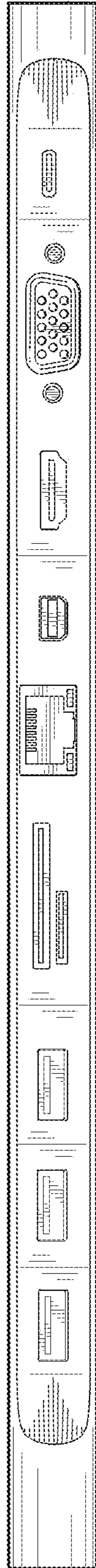


Fig. 2

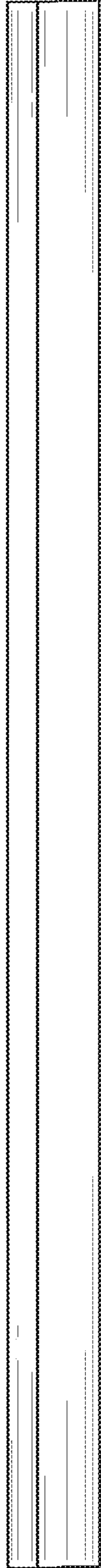


Fig. 3

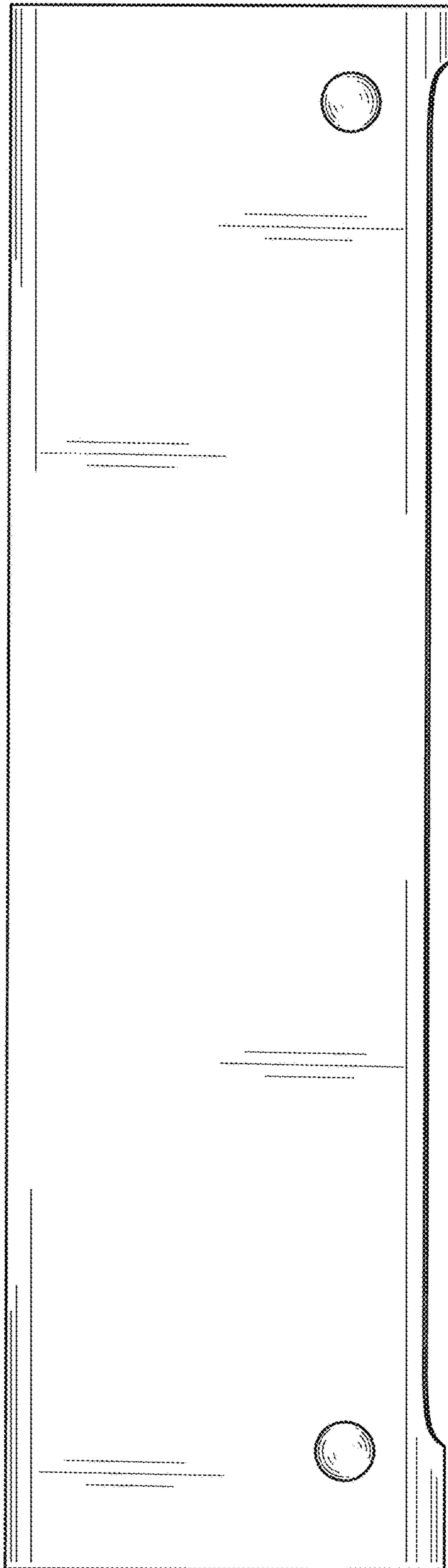


Fig. 4

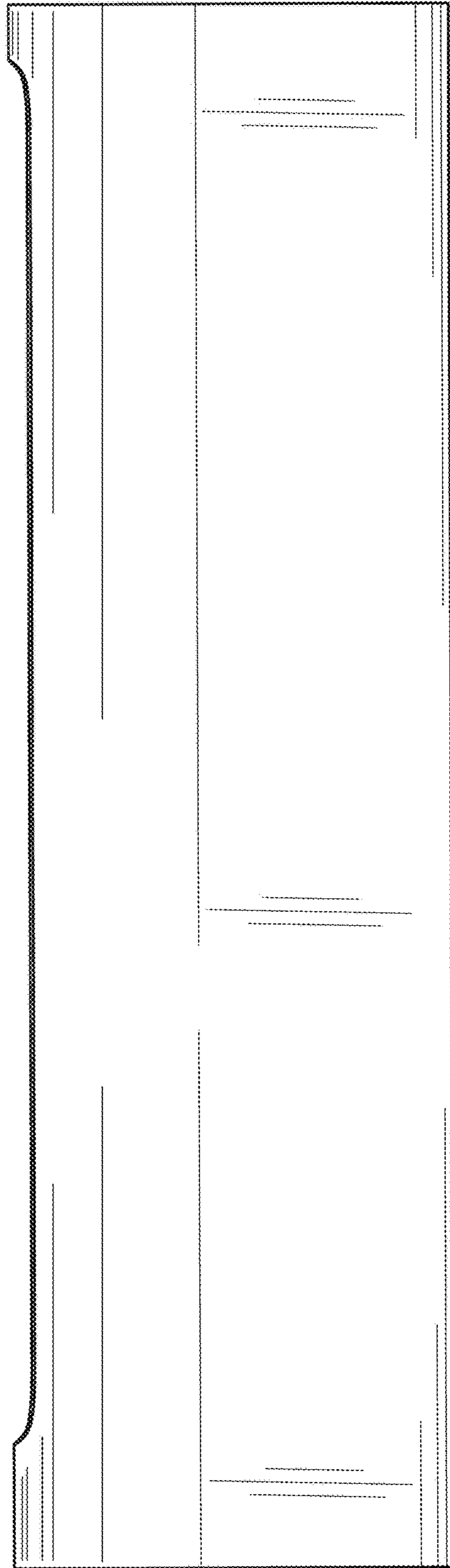


Fig. 5

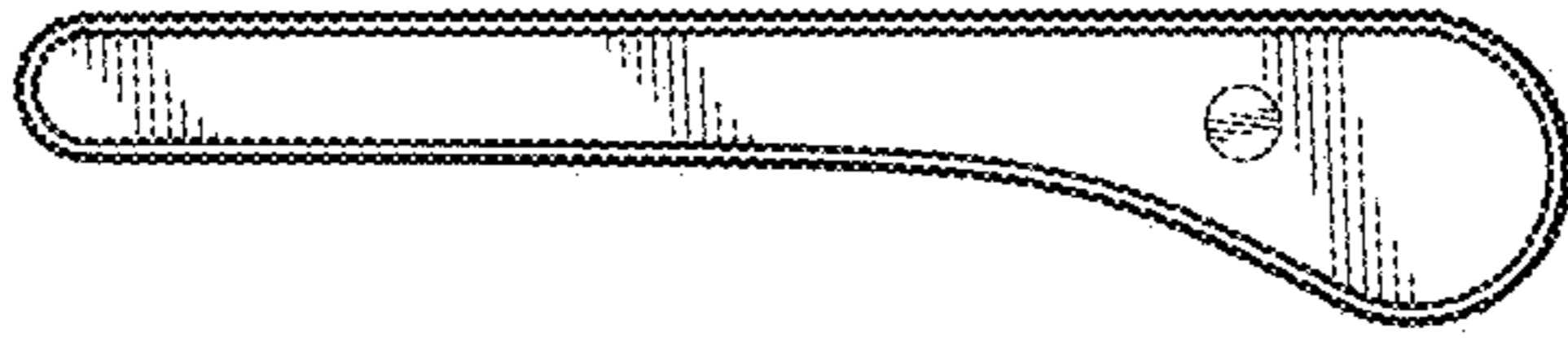


Fig. 6

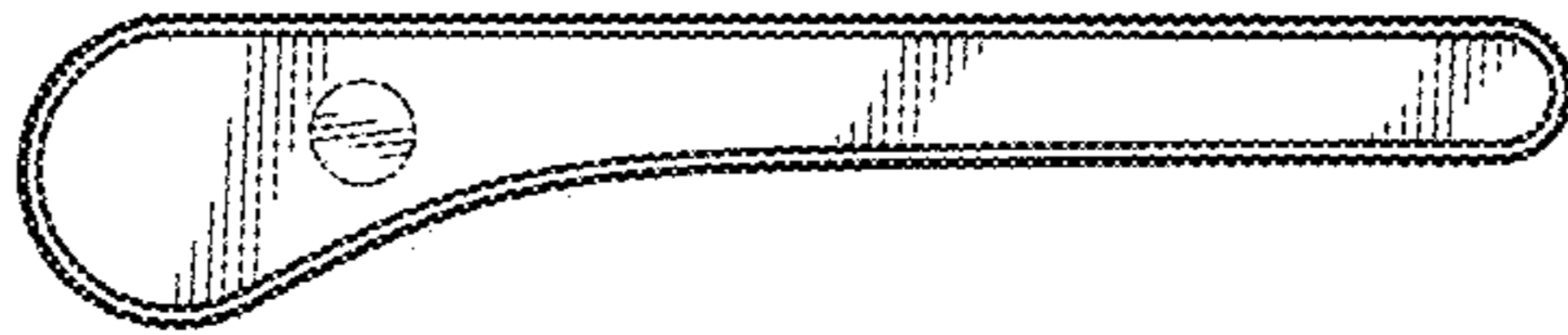


Fig. 7