



US00D912672S

(12) **United States Design Patent** (10) **Patent No.:** **US D912,672 S**
Lai (45) **Date of Patent:** **** Mar. 9, 2021**

(54) **KEYBOARD**

FOREIGN PATENT DOCUMENTS

(71) Applicant: **KYE SYSTEMS CORP.**, New Taipei (TW)

CN 305465337 * 11/2019
KR 300635625.0000 * 3/2012

(Continued)

(72) Inventor: **Yi-Chun Lai**, New Taipei (TW)

OTHER PUBLICATIONS

(73) Assignee: **KYE SYSTEMS CORP.**, New Taipei (TW)

HB030B Universal Slim Portable Keyboard, Arteck, amazon.com, published by Arteck, first available on Jun. 30, 2015 © 1996-2020 Amazon.com, Inc., online, site visited Nov. 27, 2020. Available from Internet, URL: <https://www.amazon.com/Arteck-HB030B-Universal-Bluetooth-Rechargeable/dp/B00X5P8BJO> (Year: 2015).*

(Continued)

(**) Term: **15 Years**

(21) Appl. No.: **29/689,048**

(22) Filed: **Apr. 26, 2019**

(30) **Foreign Application Priority Data**

Feb. 25, 2019 (CN) 201930075212.X

(51) **LOC (13) Cl.** **14-02**

(52) **U.S. Cl.**
USPC **D14/392**

(58) **Field of Classification Search**

USPC D14/247, 315-327, 331-333, 338, D14/345-347, 387, 390-401, 406, 429, D14/455-457, 460-461, 447, 440; D18/1-2, 4.1-4.6, 7, 11, 12.2, 52; D21/324, 409; 341/22-23, 26; 345/168-173; 361/679.08, 679.09, 361/679.11, 679.14, 679.17, 679.26, 361/679.27, 786; 708/142-146; 235/8, 235/12, 15, 26-27, 145 A, 145 R, 146, 235/61 PE
CPC B41J 5/00; B41J 5/10; B41J 5/12; G06F 3/021; G06F 3/0216; G06F 3/0219; G06F 3/02

See application file for complete search history.

(56) **References Cited**

U.S. PATENT DOCUMENTS

4,906,117 A * 3/1990 Birdwell B41J 5/10 400/472
D351,831 S * 10/1994 Kuzuomoto D14/392
D515,576 S * 2/2006 Shimizu D14/392

(Continued)

Primary Examiner — Marissa J Cash

Assistant Examiner — Altaira J Swangin

(74) *Attorney, Agent, or Firm* — Locke Lord LLP; Tim Tingkang Xia, Esq.

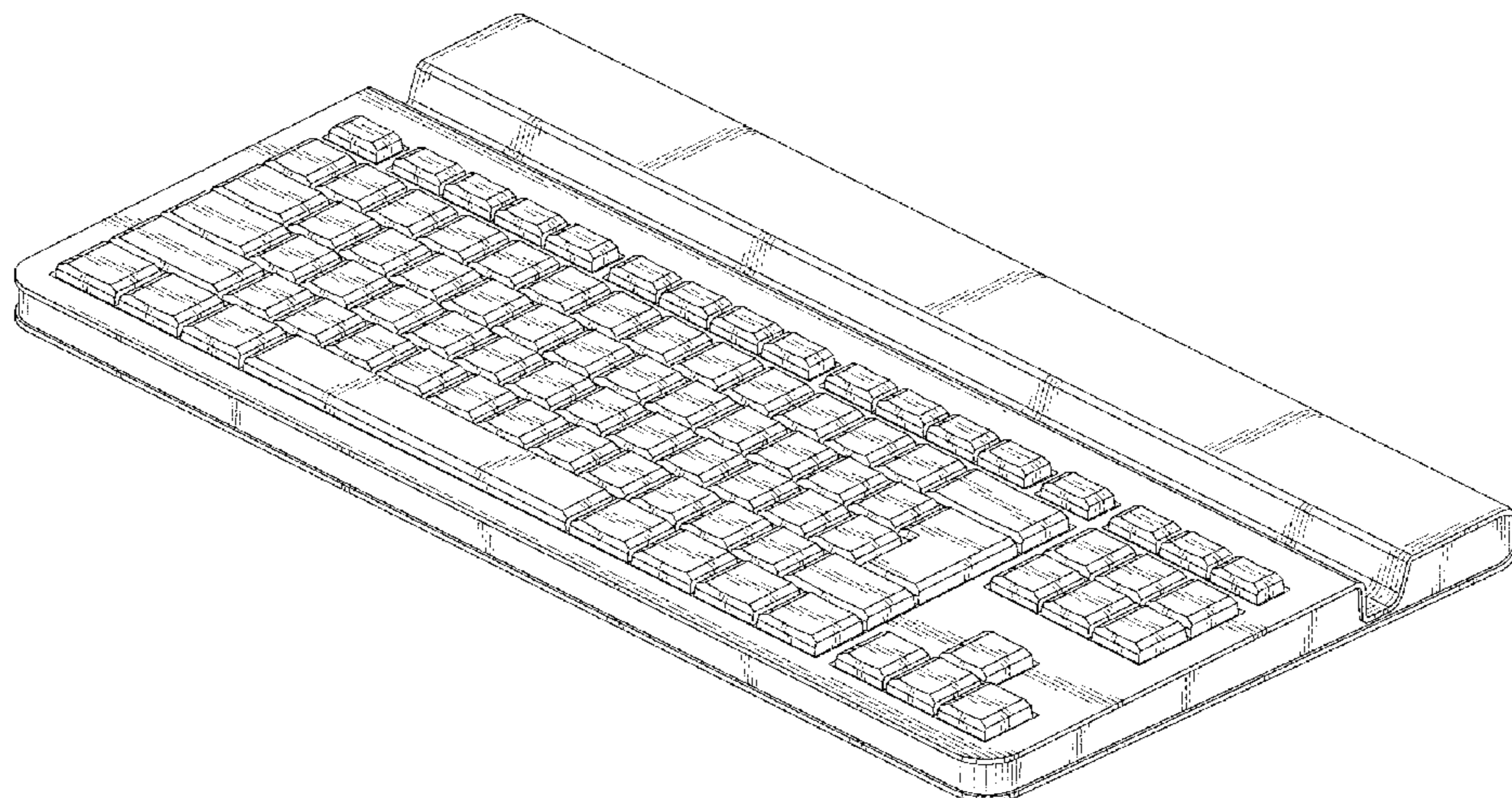
(57) **CLAIM**

The ornamental design for keyboard, as shown and described.

DESCRIPTION

FIG. 1 is a top, front and right side perspective view of a keyboard showing my new design;
FIG. 2 is a top, rear and left side perspective view thereof;
FIG. 3 is a front view thereof;
FIG. 4 is a rear view thereof;
FIG. 5 is a left side view thereof;
FIG. 6 is a right side view thereof;
FIG. 7 is a top view thereof; and,
FIG. 8 is a bottom view thereof.

1 Claim, 6 Drawing Sheets



(56)

References Cited

U.S. PATENT DOCUMENTS

D671,541 S * 11/2012 Gengler D14/392
 D678,883 S * 3/2013 Lim D14/392
 D678,885 S * 3/2013 Gengler D14/447
 D682,274 S * 5/2013 Gengler D14/392
 D689,861 S * 9/2013 Robert D14/392
 D691,999 S * 10/2013 Gengler D14/392
 D692,014 S * 10/2013 Gengler D14/455
 D692,015 S * 10/2013 Gengler D14/455
 D693,344 S * 11/2013 Stahl D14/392
 D693,821 S * 11/2013 Bates D14/440
 D693,822 S * 11/2013 Bates D14/440
 D697,913 S * 1/2014 Park D14/392
 D701,214 S * 3/2014 Gengler D14/447
 D709,075 S * 7/2014 Miniard D14/447
 D737,826 S * 9/2015 Sauvage D14/440
 D742,380 S * 11/2015 Park D14/392
 D749,595 S * 2/2016 Sauvage D14/440
 D765,077 S * 8/2016 Park D14/392
 D771,045 S * 11/2016 Ferguson D14/392
 D781,862 S * 3/2017 Sauvage D14/440
 D786,248 S * 5/2017 Roberts D14/392
 D833,452 S * 11/2018 Helwig D14/455
 D842,858 S * 3/2019 Lee D14/392
 D854,013 S * 7/2019 van Hooff D14/392
 D872,095 S * 1/2020 Miniard D14/447

2002/0109960 A1* 8/2002 Liu G06F 3/0224
 361/600
 2008/0117173 A1* 5/2008 Roberts G06F 3/021
 345/169
 2013/0299326 A1* 11/2013 Hsu G06F 3/0221
 200/5 A
 2014/0240235 A1* 8/2014 Norwalk G06F 3/0202
 345/168
 2014/0267050 A1* 9/2014 Spollen G06F 1/1677
 345/168
 2016/0147311 A1* 5/2016 Ding G06F 3/0412
 345/168

FOREIGN PATENT DOCUMENTS

KR 300637026.0000 * 3/2012
 KR 300706122.0000 * 8/2013
 KR 300739509.0000 * 4/2014

OTHER PUBLICATIONS

WKB 805A Portable Bluetooth Desktop Keyboard, Digimore, capacity-keyboard.com, author unlisted, published on Oct. 7, 2014 per wayback machine © 2018 Digimore Electronics Co., Ltd., online, site visited Nov. 27, 2020. Available from Internet, URL: <https://www.capacity-keyboard.com/WKB-805A.html> (Year: 2014).*

* cited by examiner

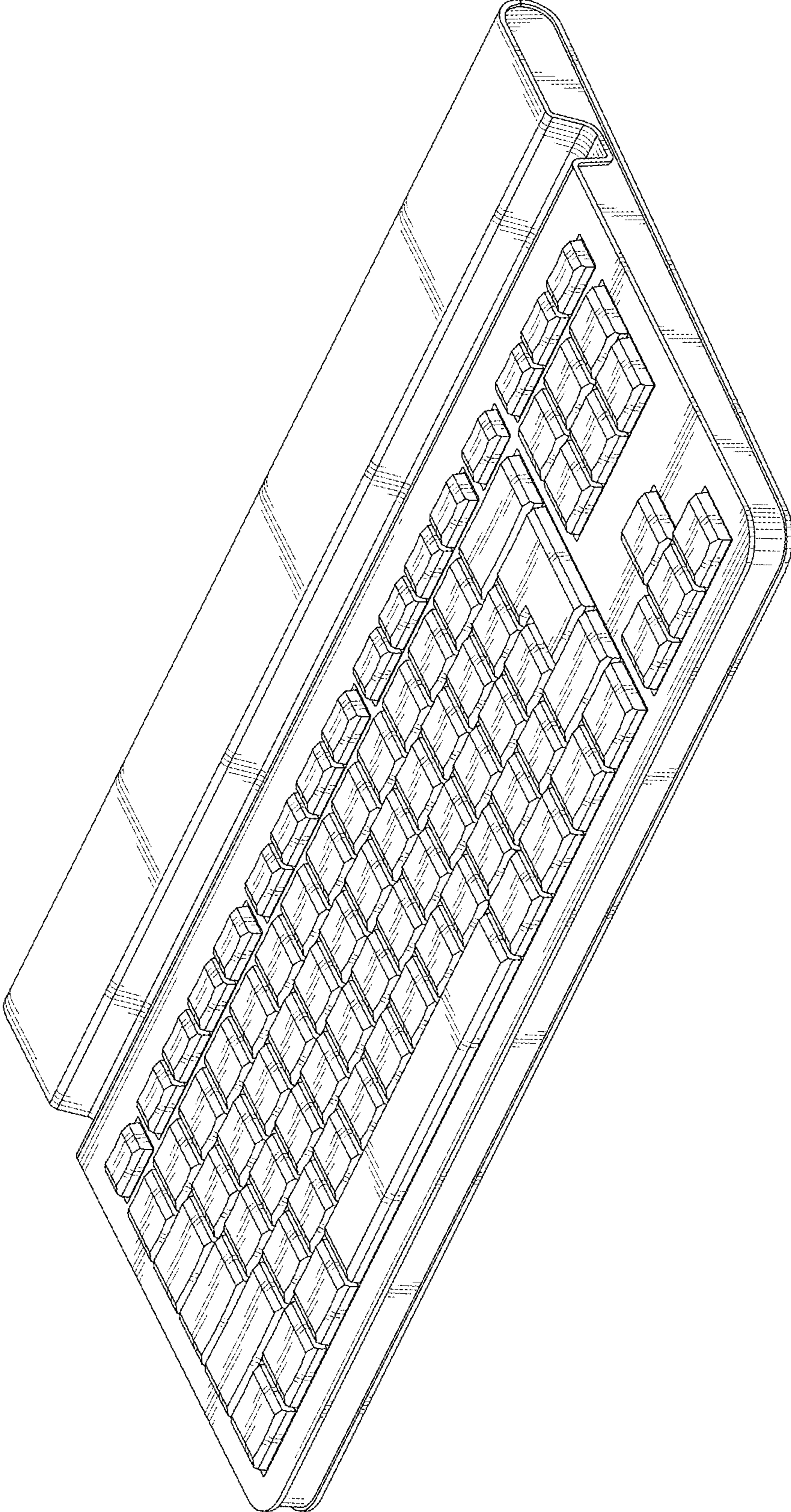


FIG. 1

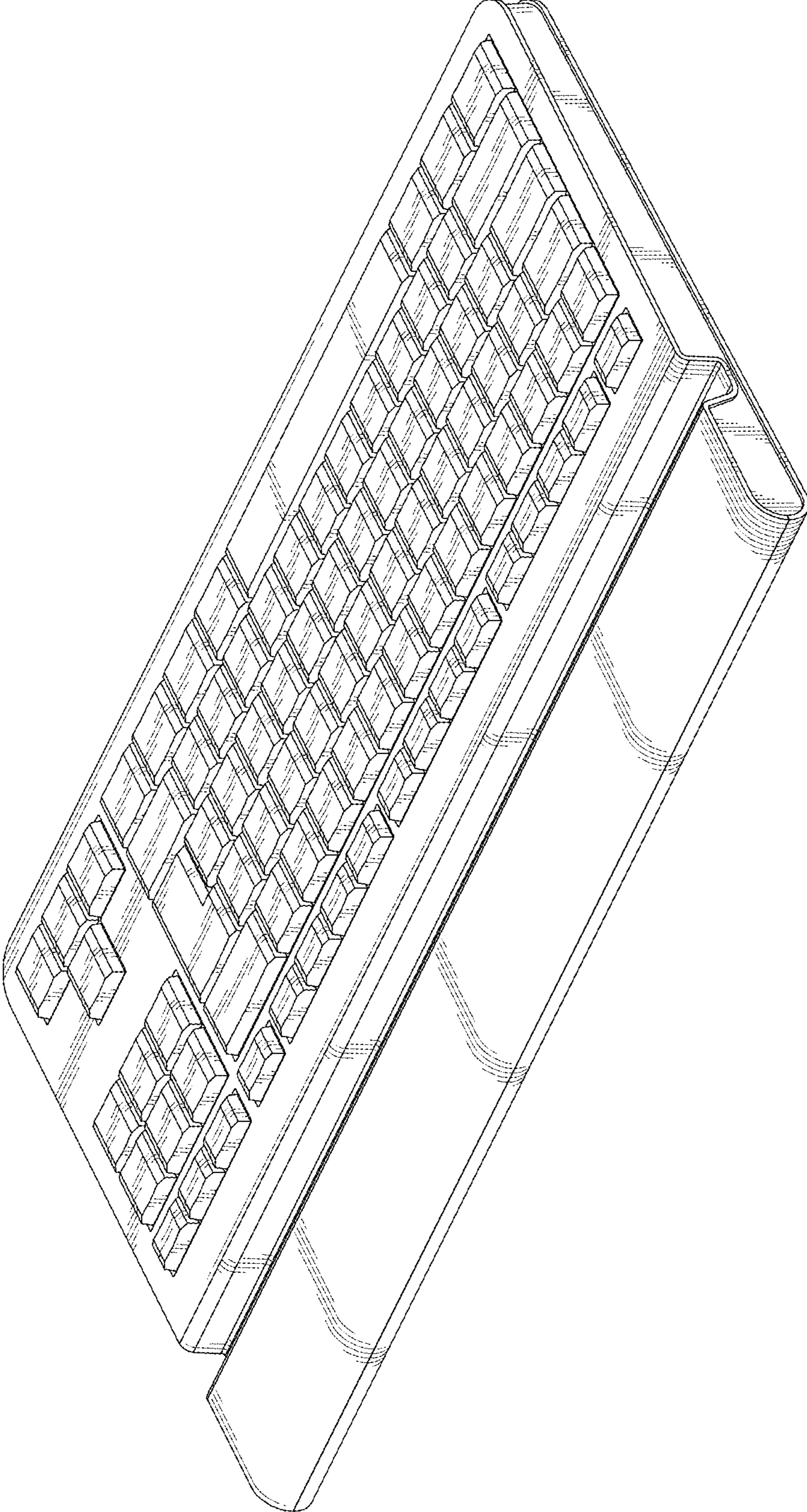


FIG. 2

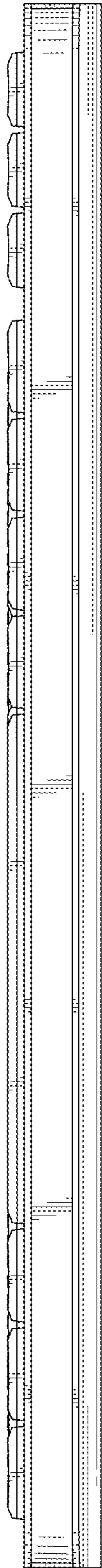


FIG. 3

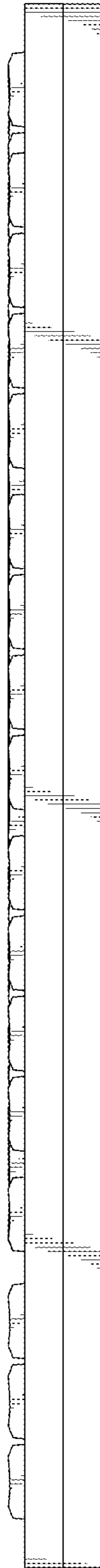


FIG. 4

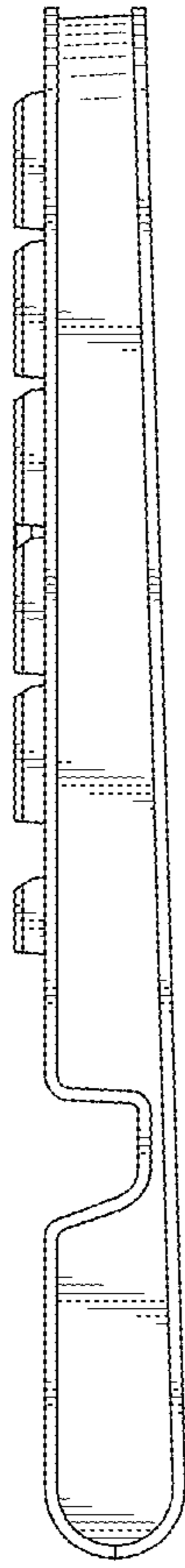


FIG. 5

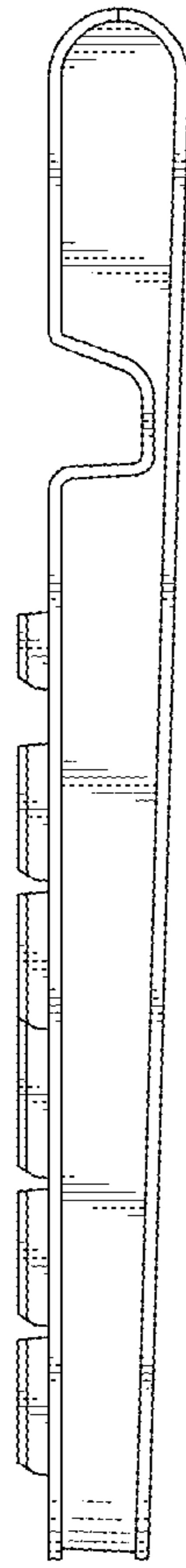


FIG. 6

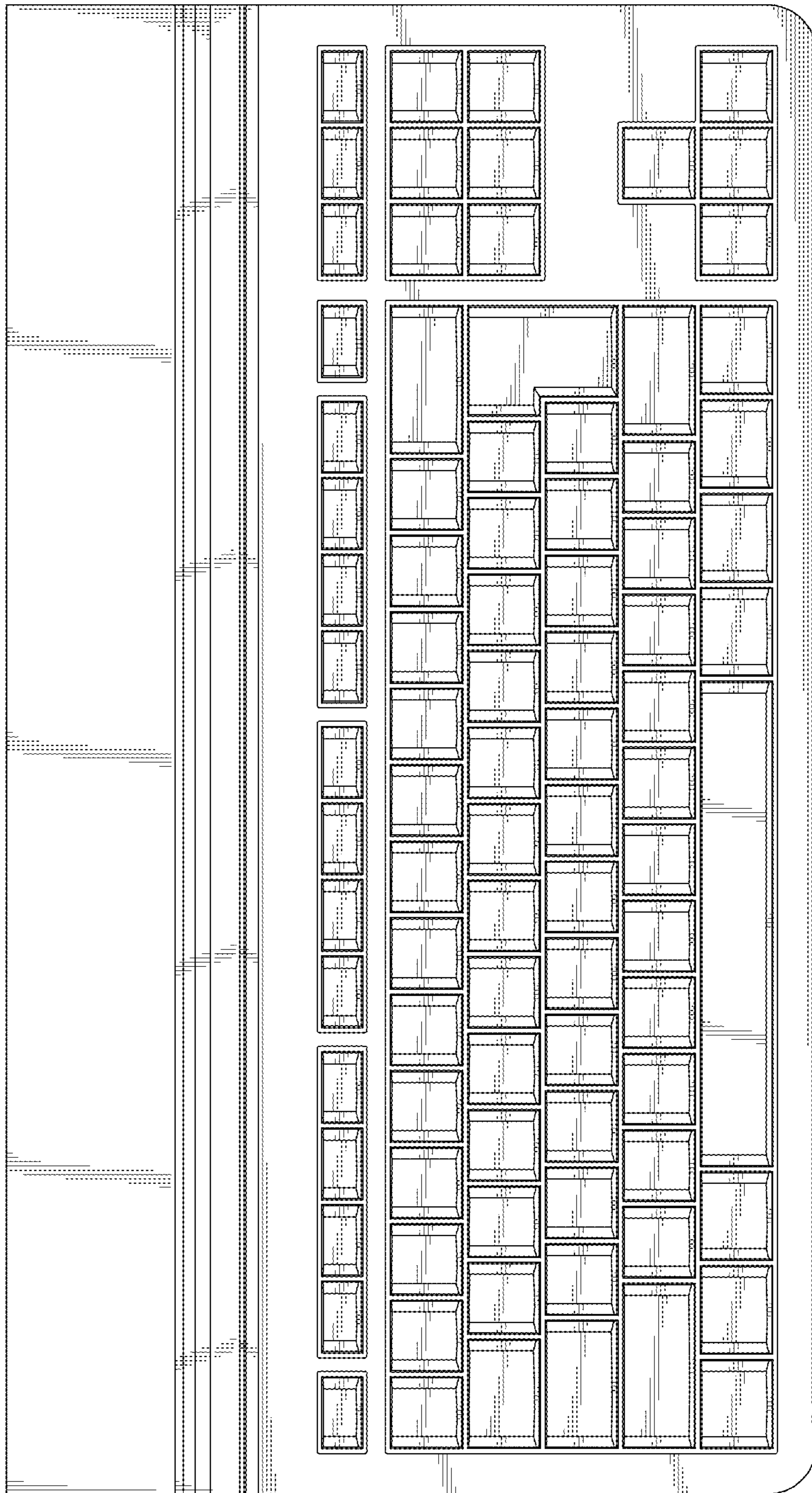


FIG. 7

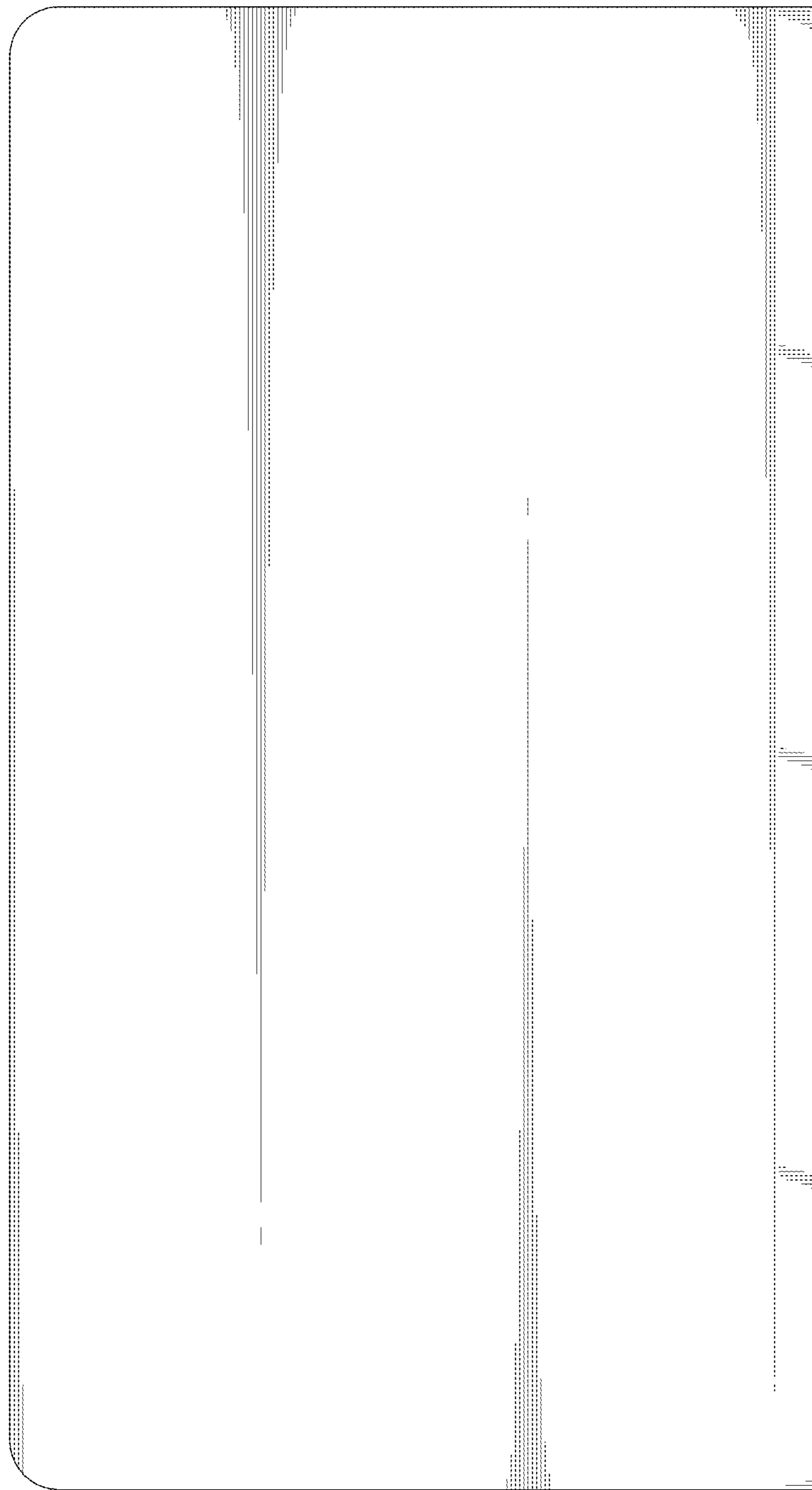


FIG. 8