



US00D912671S

(12) **United States Design Patent** (10) **Patent No.:** **US D912,671 S**  
**Xu** (45) **Date of Patent:** **\*\* Mar. 9, 2021**

(54) **WIRELESS PRESENTER**  
(71) Applicant: **SHENZHEN QIANHAI PATUOXUN NETWORK AND TECHNOLOGY CO., LTD**, Shenzhen (CN)  
(72) Inventor: **Weiwei Xu**, Shenzhen (CN)  
(73) Assignee: **SHENZHEN QIANHAI PATUOXUN NETWORK AND TECHNOLOGY CO., LTD**, Shenzhen (CN)

D512,027 S \* 11/2005 Sarasjoki ..... D13/168  
D520,160 S \* 5/2006 Lee ..... D26/37  
D531,334 S \* 10/2006 Lin ..... D26/37  
D546,782 S \* 7/2007 Poulet ..... D13/168  
D548,195 S \* 8/2007 Poulet ..... D13/168  
D579,918 S \* 11/2008 Engstrom ..... D14/218  
D581,370 S \* 11/2008 Corsini ..... D13/168  
D586,301 S \* 2/2009 Corsini ..... D13/168  
D614,604 S \* 4/2010 Hoehn ..... D14/218  
D620,925 S \* 8/2010 Geck ..... D14/218  
D624,917 S \* 10/2010 Andre ..... D14/408  
D627,091 S \* 11/2010 Zhang ..... D26/46  
D667,798 S \* 9/2012 Burwell ..... D13/168

(\*\*) Term: **15 Years**

(Continued)

(21) Appl. No.: **29/741,187**  
(22) Filed: **Jul. 10, 2020**  
(51) **LOC (13) Cl.** ..... **14-02**  
(52) **U.S. Cl.**  
USPC ..... **D14/388**; D14/218  
(58) **Field of Classification Search**  
USPC ..... D14/388, 218, 454, 299, 496, 400, 401;  
D21/333; D13/168; D26/37  
CPC ..... A63F 13/24; A63F 13/213; A63F 13/214;  
A63F 13/02; A63F 13/20; G06F 3/01;  
G06F 3/0308; G06F 3/033; G06F 3/0338;  
G06F 3/03543; G06F 3/038; G06F 3/14  
See application file for complete search history.

OTHER PUBLICATIONS

Wireless laser presentation remote controls. (Design—© Questel) orbit.com. [online PDF] 29 pgs. Print Dates Range Nov. 19, 2014-Jul. 14, 2020 [Retrieved Nov. 24, 2020] <https://www.orbit.com/export/QPTUJ214/pdf2/506a845e-97b1-4836-bc8f-423b846969a4-220953.pdf>.\*

Primary Examiner — Marie D. Fast Horse

(57) **CLAIM**

The ornamental design for a wireless presenter, as shown and described.

**DESCRIPTION**

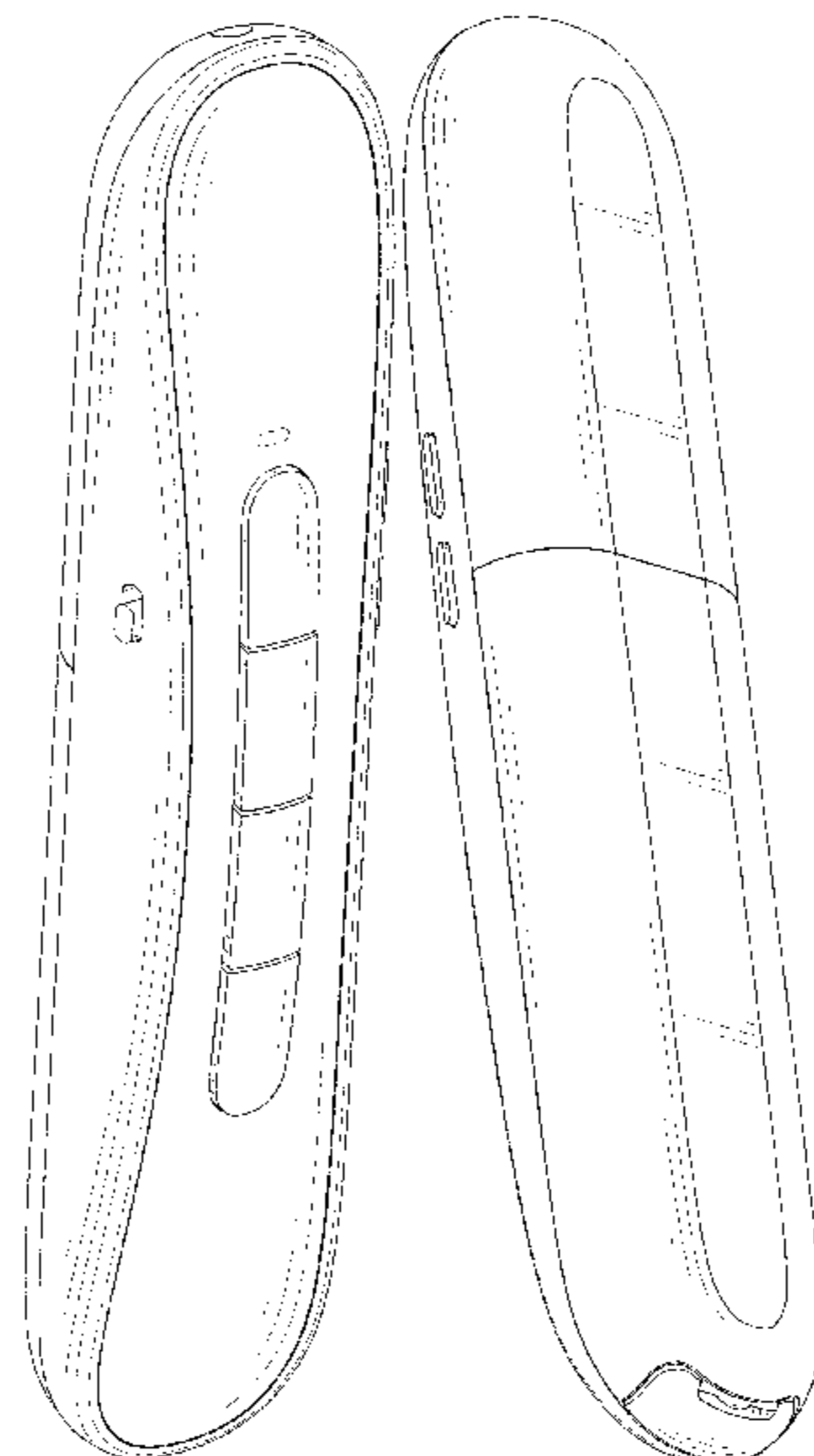
FIG. 1 is a perspective view of a wireless presenter showing my new design;  
FIG. 2 is another perspective view thereof;  
FIG. 3 is a front elevational view thereof;  
FIG. 4 is a rear elevational view thereof;  
FIG. 5 is a left side elevational view thereof;  
FIG. 6 is a right side elevational view thereof;  
FIG. 7 is a top plan view thereof; and,  
FIG. 8 is a bottom plan view thereof.

The broken lines in the drawings depict portions of the wireless presenter that form no part of the claimed design.

**1 Claim, 8 Drawing Sheets**

(56) **References Cited**  
U.S. PATENT DOCUMENTS

D322,244 S \* 12/1991 Bishai ..... D13/168  
D380,473 S \* 7/1997 Otani ..... D14/218  
D385,540 S \* 10/1997 Taylor ..... D13/168  
D413,580 S \* 9/1999 Zuege ..... D13/168  
D424,577 S \* 5/2000 Backs ..... D13/168  
D433,404 S \* 11/2000 Thakur ..... D14/218  
D470,118 S \* 2/2003 Miles ..... D14/144  
D476,764 S \* 7/2003 Khovaylo ..... D10/104.1  
D485,546 S \* 1/2004 Olson ..... D14/218  
D491,922 S \* 6/2004 Poulet ..... D14/218  
D496,653 S \* 9/2004 Townsend ..... D14/240  
D508,139 S \* 8/2005 Yen ..... D26/37



(56)

References Cited

U.S. PATENT DOCUMENTS

D693,333 S \* 11/2013 Joe ..... D14/218  
 D708,598 S \* 7/2014 Robinson ..... D14/218  
 D710,828 S \* 8/2014 Liu ..... D14/218  
 D730,873 S \* 6/2015 Petterson ..... D14/218  
 D770,421 S \* 11/2016 Pettersen ..... D14/218  
 D793,968 S \* 8/2017 Eriksen ..... D13/168  
 D798,274 S 9/2017 Huang  
 D798,275 S 9/2017 Huang  
 D805,482 S \* 12/2017 McRoberts ..... D13/168  
 D805,483 S \* 12/2017 McRoberts ..... D13/168  
 D811,351 S \* 2/2018 O'Connell ..... D13/168  
 D818,457 S \* 5/2018 Paschke ..... D14/218  
 D821,334 S \* 6/2018 McRoberts ..... D13/168  
 D822,643 S \* 7/2018 Chen ..... D14/218  
 D824,863 S \* 8/2018 McRoberts ..... D13/168  
 D836,568 S \* 12/2018 Miller ..... D13/168  
 D838,923 S \* 1/2019 Ni ..... D30/199  
 D845,280 S \* 4/2019 Smith ..... D14/218  
 D846,506 S \* 4/2019 McRoberts ..... D13/168  
 D849,697 S \* 5/2019 Chen ..... D13/168  
 D850,414 S \* 6/2019 Desagre ..... D14/218  
 D852,148 S \* 6/2019 Shen ..... D13/168  
 D852,170 S \* 6/2019 Zhang ..... D14/218

D856,332 S \* 8/2019 Ruegg ..... D14/388  
 D856,333 S \* 8/2019 Ruegg ..... D14/388  
 D857,017 S \* 8/2019 Cheng ..... D14/388  
 D857,697 S \* 8/2019 Andre ..... D14/408  
 D867,335 S \* 11/2019 Lee ..... D14/218  
 D867,338 S \* 11/2019 Ruegg ..... D14/218  
 D868,040 S \* 11/2019 Desagre ..... D14/218  
 D880,602 S \* 4/2020 Ehara ..... D21/333  
 D891,659 S \* 7/2020 Tu ..... D26/37  
 D901,444 S \* 11/2020 Huang ..... D14/218  
 D901,445 S \* 11/2020 Huang ..... D14/218  
 2006/0176689 A1 \* 8/2006 Dowdy ..... F21V 23/0435  
 362/188  
 2006/0290667 A1 \* 12/2006 Guerra, Jr. .... G06F 3/03543  
 345/157  
 2007/0139378 A1 \* 6/2007 Siebert ..... G06F 3/033  
 345/163  
 2010/0007517 A1 \* 1/2010 Andrews ..... G06F 3/0338  
 340/12.54  
 2013/0201103 A1 \* 8/2013 Park ..... G06F 3/038  
 345/157  
 2014/0210755 A1 \* 7/2014 Jung ..... G06F 3/01  
 345/173  
 2018/0137992 A1 \* 5/2018 Escurier ..... H01H 9/025  
 2018/0173326 A1 \* 6/2018 Mathias ..... G06F 3/038

\* cited by examiner

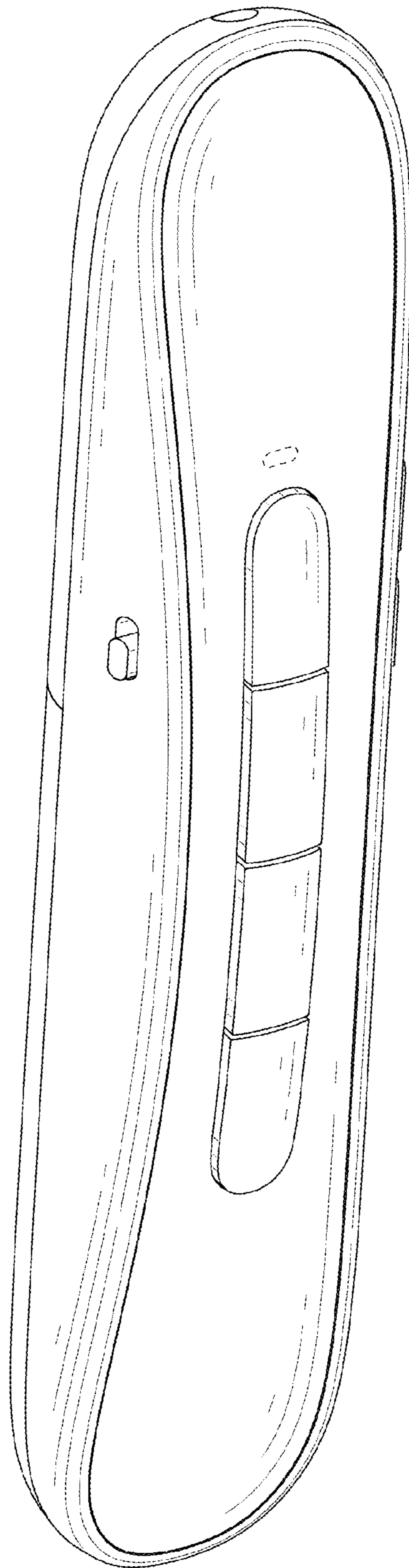


FIG. 1

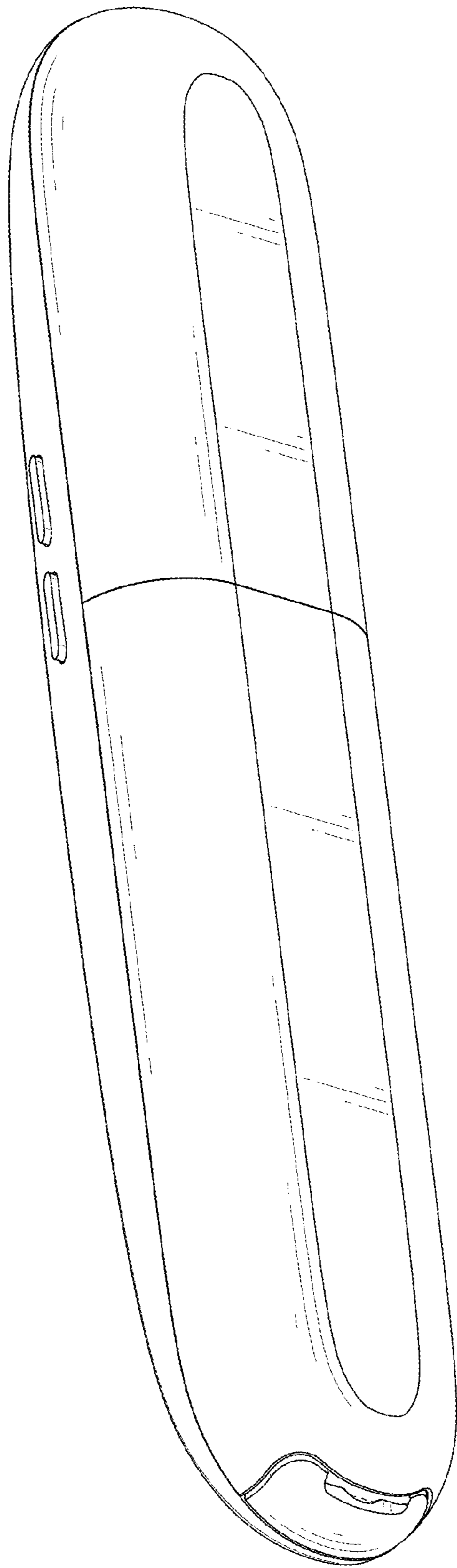


FIG. 2

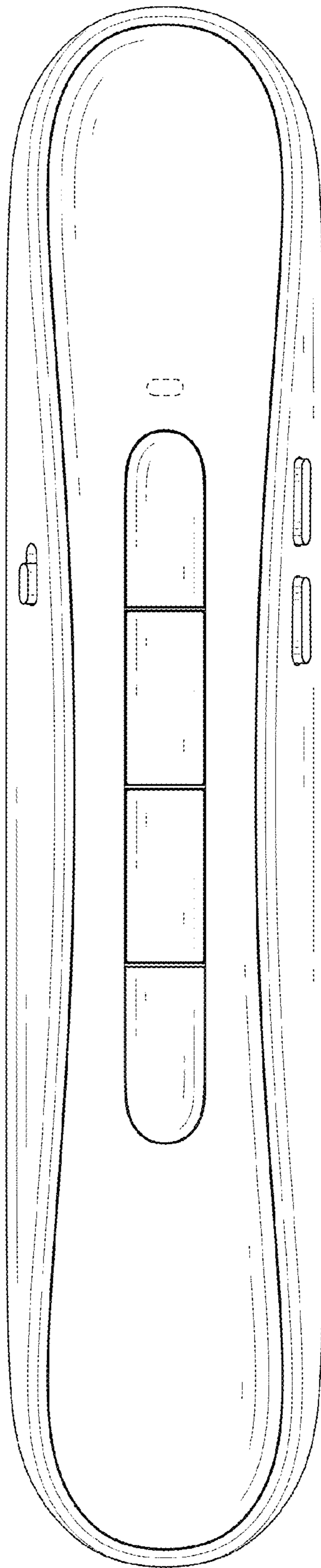


FIG. 3

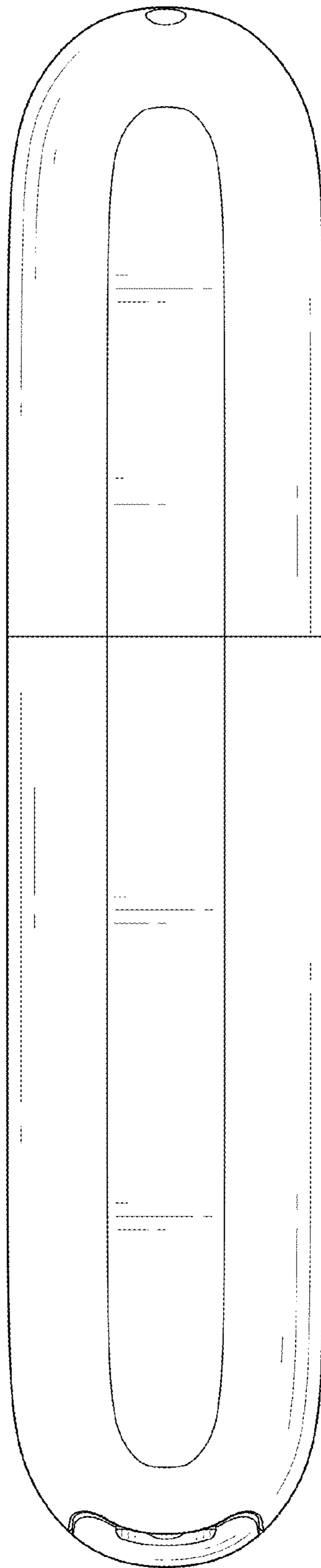


FIG. 4

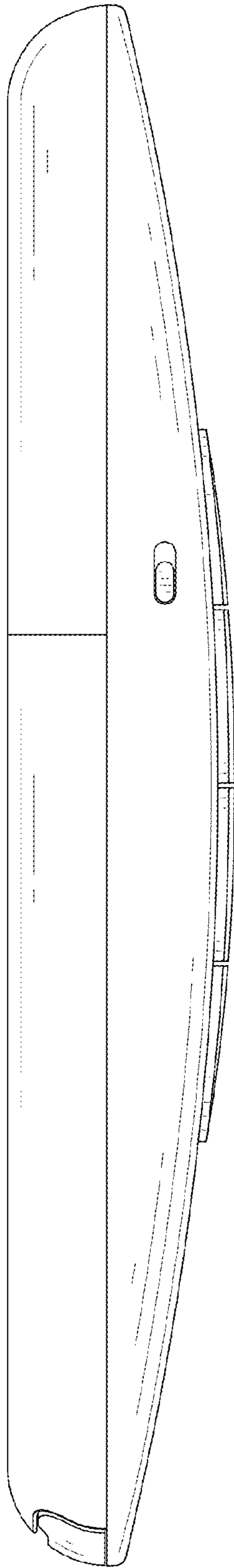


FIG. 5

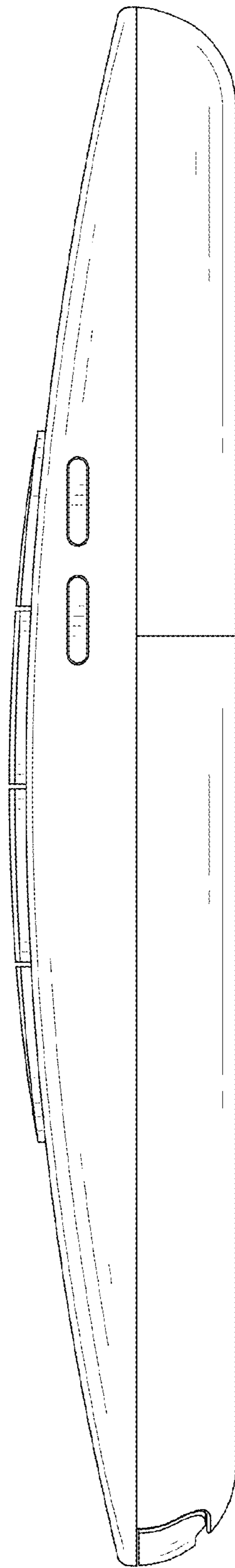


FIG. 6



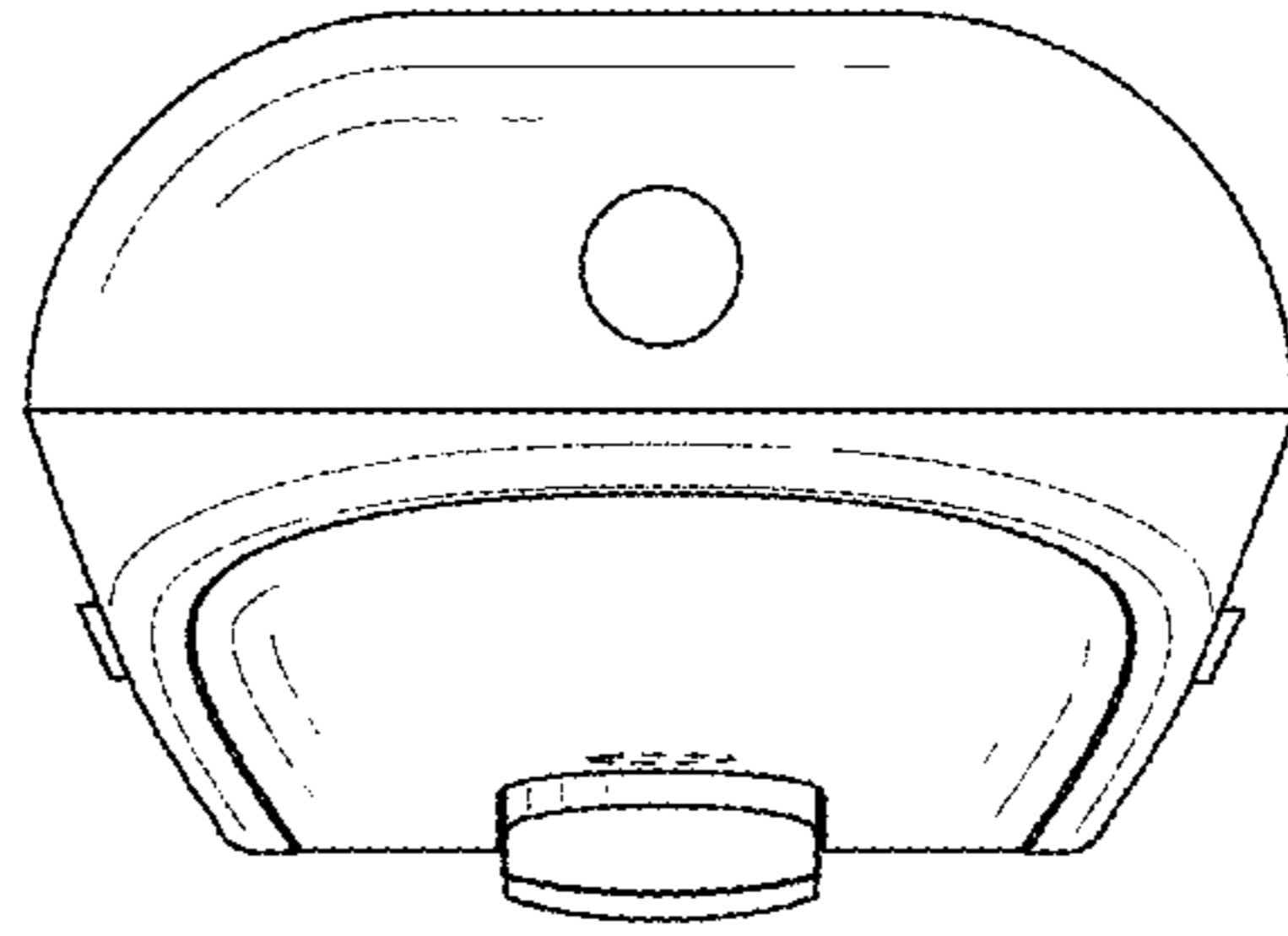


FIG. 7

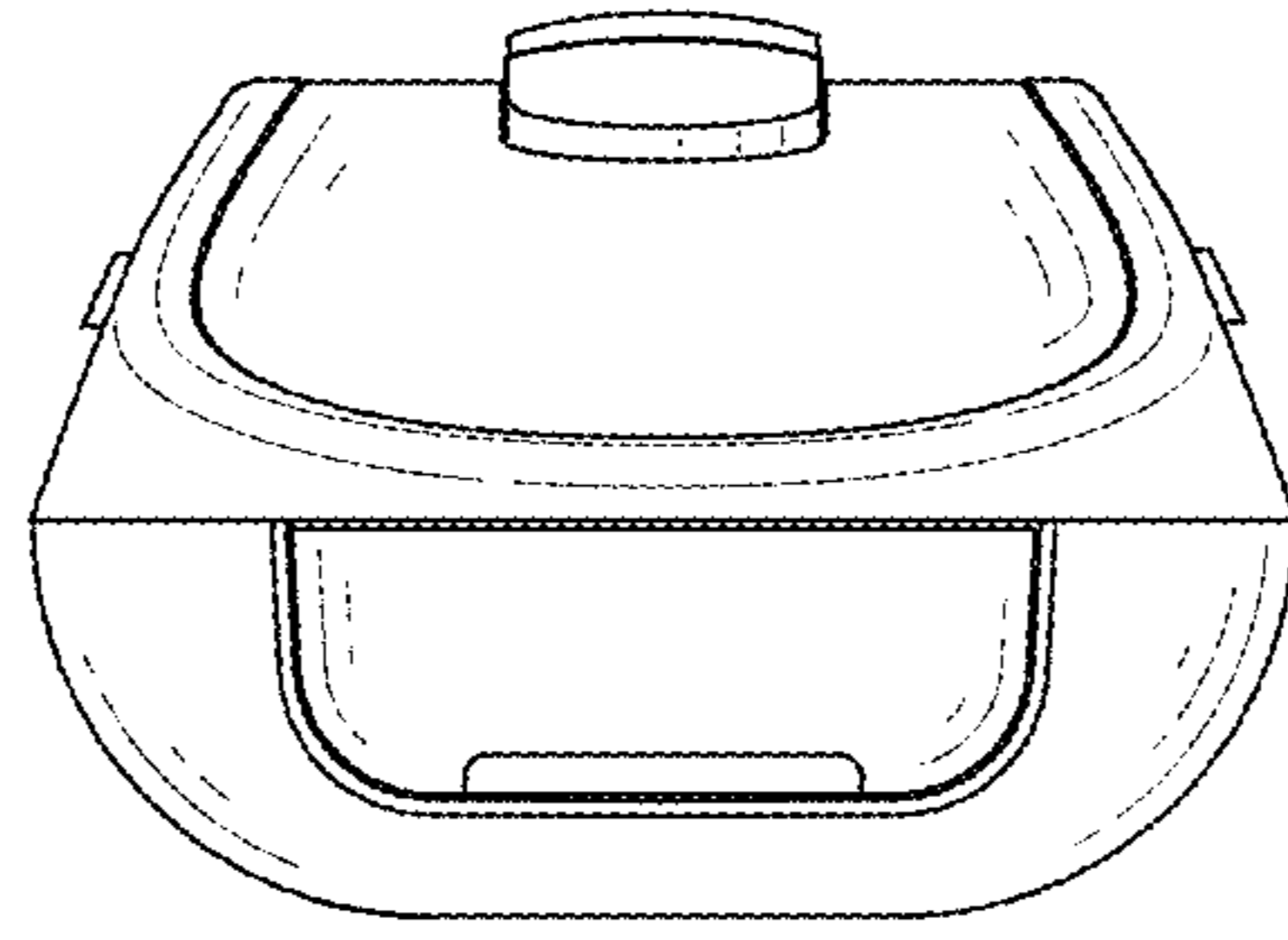


FIG. 8