



US00D912670S

(12) **United States Design Patent**
Etgar et al.

(10) **Patent No.:** **US D912,670 S**
(45) **Date of Patent:** **** Mar. 9, 2021**

- (54) **USER INTERFACE DEVICE**
- (71) Applicant: **Coors Brewing Company**, Denver, CO (US)
- (72) Inventors: **Inbal Etgar**, Berkeley, CA (US); **Anderson Miller**, San Francisco, CA (US); **Ryan Wickre**, San Francisco, CA (US); **Hailey Stewart**, Wilmington, MA (US); **Jonathan Grossman**, San Francisco, CA (US)
- (73) Assignee: **Coors Brewing Company**, Denver, CO (US)
- (**) Term: **15 Years**
- (21) Appl. No.: **29/681,370**
- (22) Filed: **Feb. 25, 2019**
- (51) **LOC (13) Cl.** **14-02**
- (52) **U.S. Cl.**
USPC **D14/388**; D14/357
- (58) **Field of Classification Search**
USPC D14/399, 388, 389, 390, 391, 338, 339, D14/356, 347, 379, 380, 384, 454, 455, D14/496, 218, 299, 247, 147, 432, 357, D14/358; D13/162, 164, 168, 123, 162.1; D10/46, 78, 104.1, 106.1, 106.3, 106.95, D10/49, 101; D15/89; D7/397
CPC G05B 13/00; G05B 15/00
See application file for complete search history.

(56) **References Cited**

U.S. PATENT DOCUMENTS

D220,764 S *	5/1971	Ortega et al.	D14/357
D276,718 S *	12/1984	Goodin	D13/164
D295,821 S *	5/1988	Stembridge	D7/398
D299,139 S *	12/1988	Toft	D14/357
D319,598 S *	9/1991	Bourret	D10/101

D336,051 S *	6/1993	Drager	D10/101
D444,087 S *	6/2001	Johannsen	D10/101
D455,160 S *	4/2002	Choi	D15/89
D463,990 S *	10/2002	Wysocki	D10/101
D500,455 S *	1/2005	Munoz	D10/101
D518,493 S *	4/2006	Sato	D15/89
D565,063 S *	3/2008	Doberstein	D15/89
D577,746 S *	9/2008	Rand	D15/89
D578,143 S *	10/2008	Rand	D15/89
D584,288 S *	1/2009	Kim	D14/211
D613,113 S *	4/2010	Lippert	D7/397
D614,200 S *	4/2010	Skurdal	D14/496
D618,252 S *	6/2010	Bradford	D14/496
D643,682 S *	8/2011	Asthon	D7/397
D647,505 S *	10/2011	Skurdal	D14/209.1
D648,743 S *	11/2011	Chang	D14/496
D655,249 S *	3/2012	Dublin	D13/154
D659,670 S *	5/2012	Goetzen	D14/194
D674,779 S *	1/2013	Joseph	D14/214
D677,245 S *	3/2013	Joseph	D14/209.1
D681,010 S *	4/2013	Cho	D14/215
D685,348 S *	7/2013	Szymanski	D14/214

(Continued)

Primary Examiner — Marie D. Fast Horse

(74) *Attorney, Agent, or Firm* — Sheridan Ross P.C.

(57) **CLAIM**

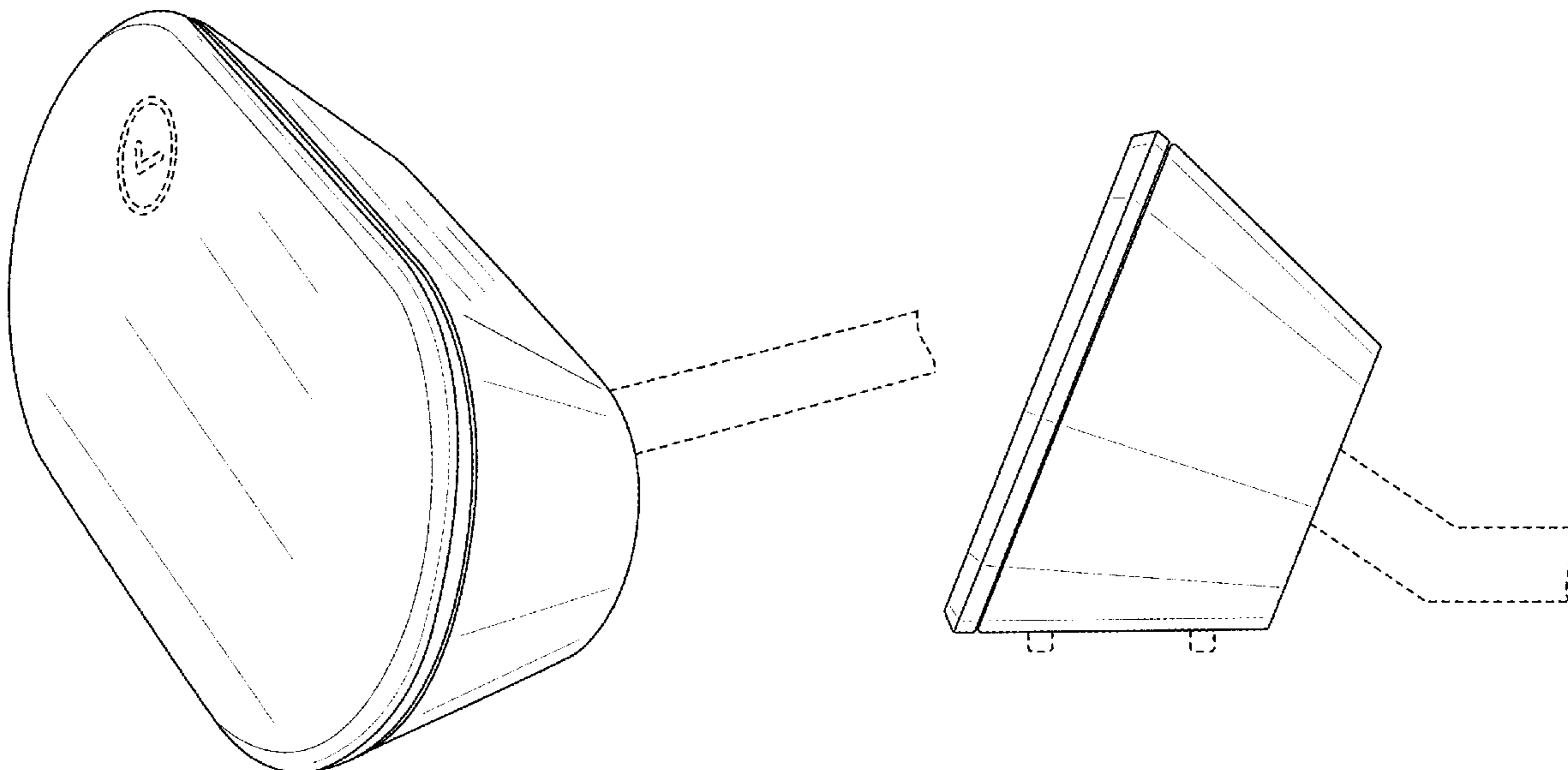
The ornamental design for a user interface device, as shown and described.

DESCRIPTION

FIG. 1 is a perspective view of a user interface device; FIG. 2 is a front elevation view thereof; FIG. 3 is a rear elevation view thereof; FIG. 4 is a left elevation view thereof; FIG. 5 is a right elevation view thereof; FIG. 6 is a top plan view thereof; and, FIG. 7 is a bottom plan view thereof.

The broken lines in the drawings depict portions of the user interface device that form no part of the claimed design.

1 Claim, 7 Drawing Sheets



(56)

References Cited

U.S. PATENT DOCUMENTS

D685,655 S * 7/2013 Hsu D10/15
 D688,228 S * 8/2013 Ryu D14/209.1
 D688,229 S * 8/2013 Ryu D14/209.1
 D688,965 S * 9/2013 Hutchins D10/104.1
 D689,845 S * 9/2013 Nysten D14/216
 D694,653 S * 12/2013 Hsu D10/15
 D697,910 S * 1/2014 Bianco D14/336
 D704,076 S * 5/2014 Poandl D10/2
 D709,605 S * 7/2014 Freedman D23/355
 D711,354 S * 8/2014 Florczak D14/216
 D716,305 S * 10/2014 Tani D14/422
 D726,187 S * 4/2015 Young D14/434
 D749,435 S * 2/2016 Rodgers D10/101
 D751,079 S * 3/2016 Skjoldborg D14/434
 D761,053 S * 7/2016 Rosati D7/397
 D789,367 S * 6/2017 Jentz D14/388
 D795,109 S * 8/2017 Olodort D10/104.1
 D806,066 S * 12/2017 McWilliam D14/314
 D810,709 S * 2/2018 Jou D14/125
 D811,383 S * 2/2018 Diasabeygunawardena
 D14/336

D811,384 S * 2/2018 Diasabeygunawardena
 D14/336
 D812,617 S * 3/2018 Bai D14/434
 D812,951 S * 3/2018 Hecht D7/397
 D813,868 S * 3/2018 Jou D14/390
 D819,383 S * 6/2018 Hecht D7/397
 D830,868 S * 10/2018 Kress D10/87
 D834,573 S * 11/2018 Pell D14/336
 D841,644 S * 2/2019 McWilliam D14/314
 D843,234 S * 3/2019 Naslund D10/49
 D850,440 S * 6/2019 Gentle D14/336
 D852,791 S * 7/2019 Sohn D14/358
 D861,875 S * 10/2019 Nishiyama D24/165
 D862,476 S * 10/2019 Han D14/440
 D874,203 S * 2/2020 Hecht D7/397
 D876,247 S * 2/2020 Hernandez D10/52
 D880,489 S * 4/2020 Mycroft D14/485
 D885,582 S * 5/2020 Nishiyama D24/165
 D894,760 S * 9/2020 Fritz D10/49
 D896,764 S * 9/2020 Gutierrez D13/162
 D898,088 S * 10/2020 Fornander D15/147
 D898,787 S * 10/2020 Fornander D15/147
 2006/0121953 A1 * 6/2006 Park H04M 1/04
 455/573

* cited by examiner

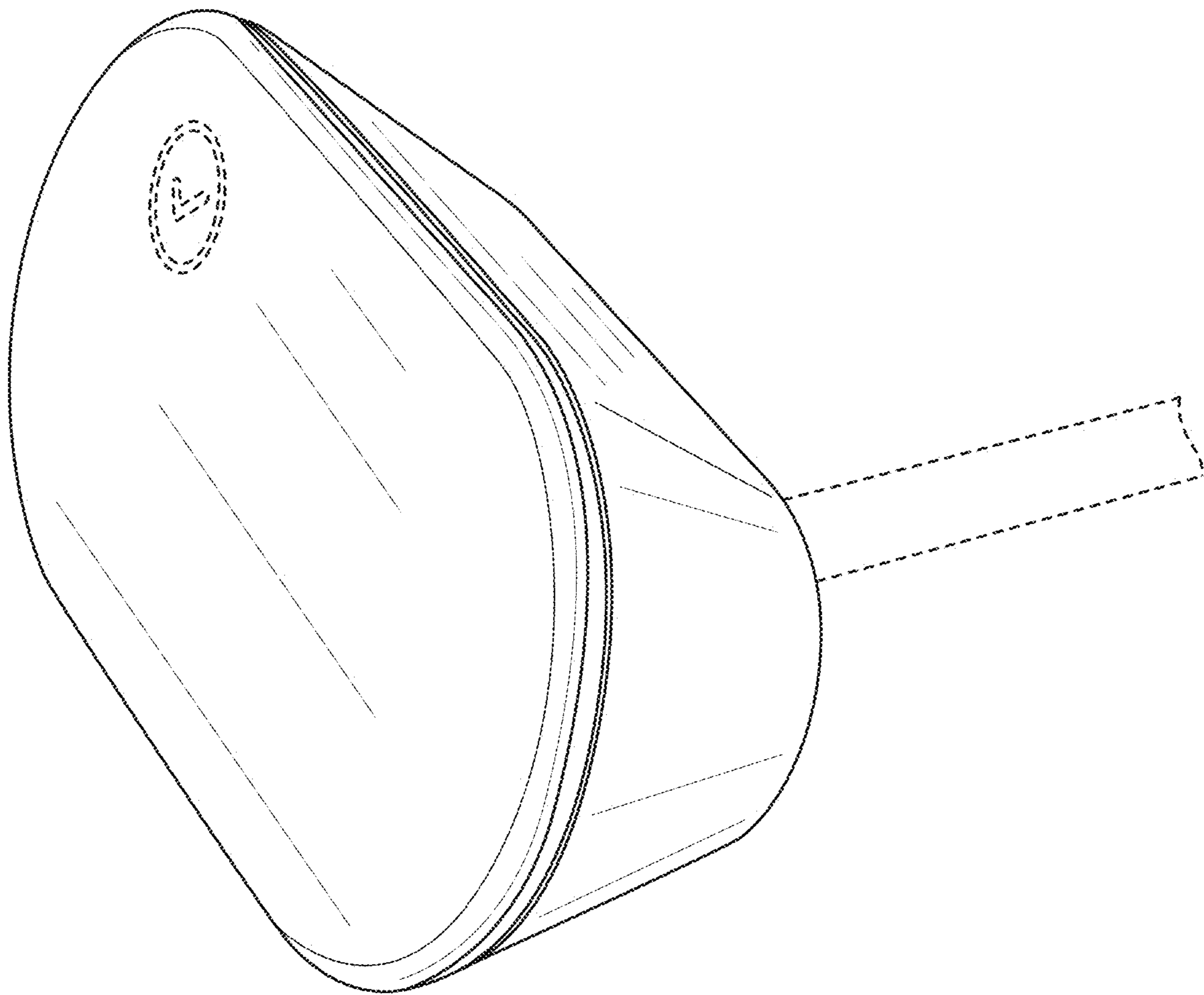


FIG. 1

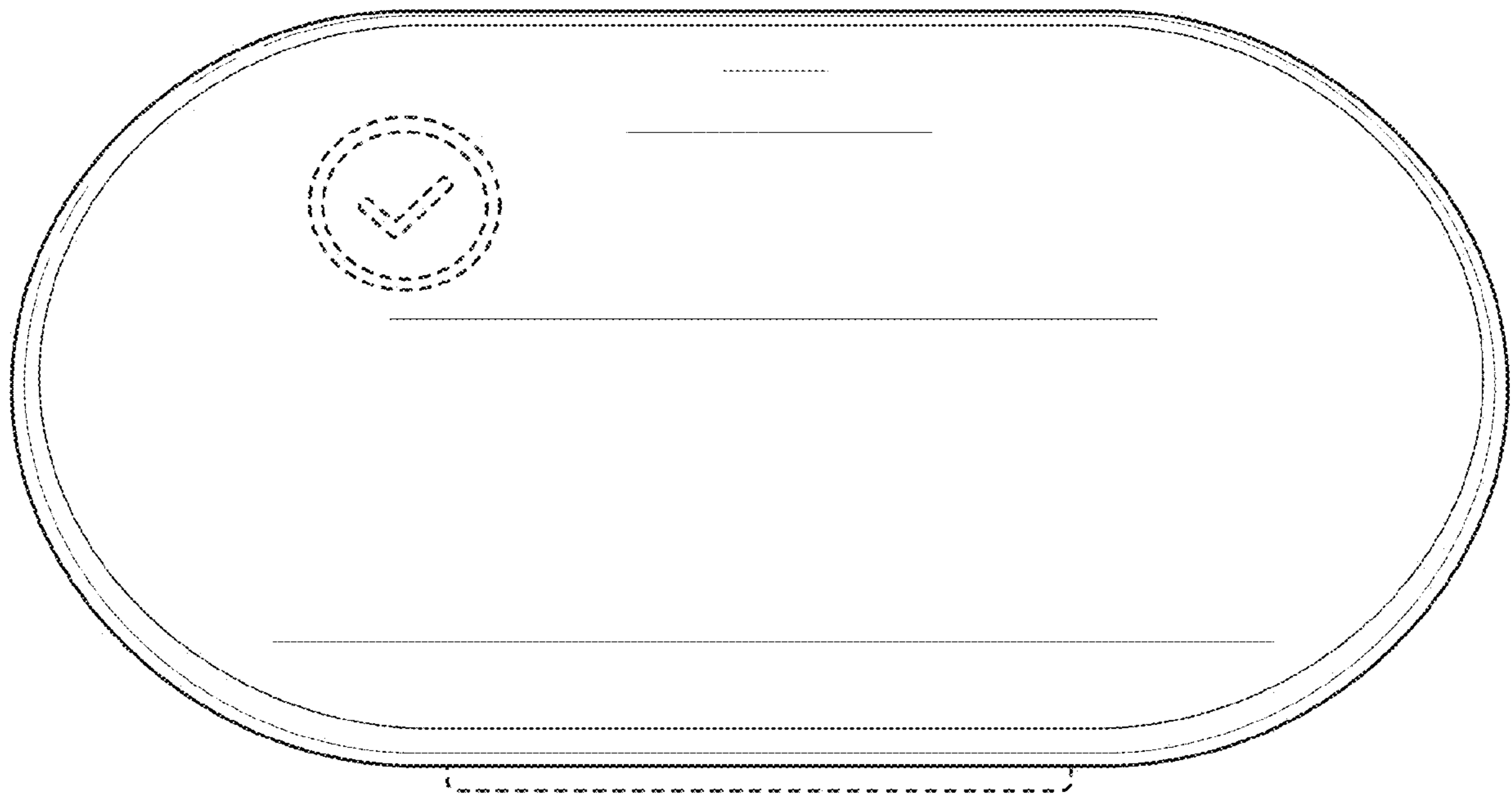


FIG. 2

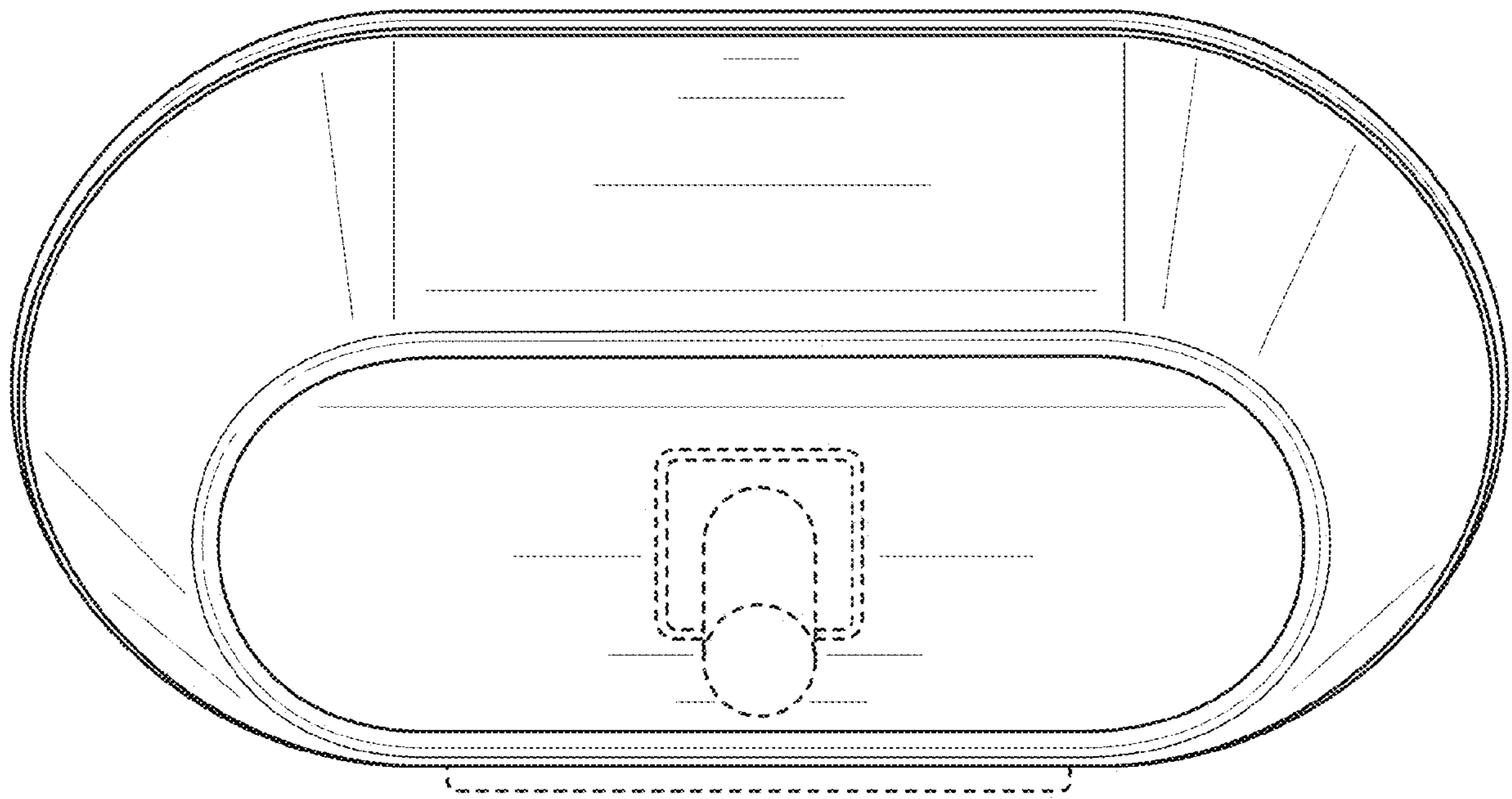


FIG. 3

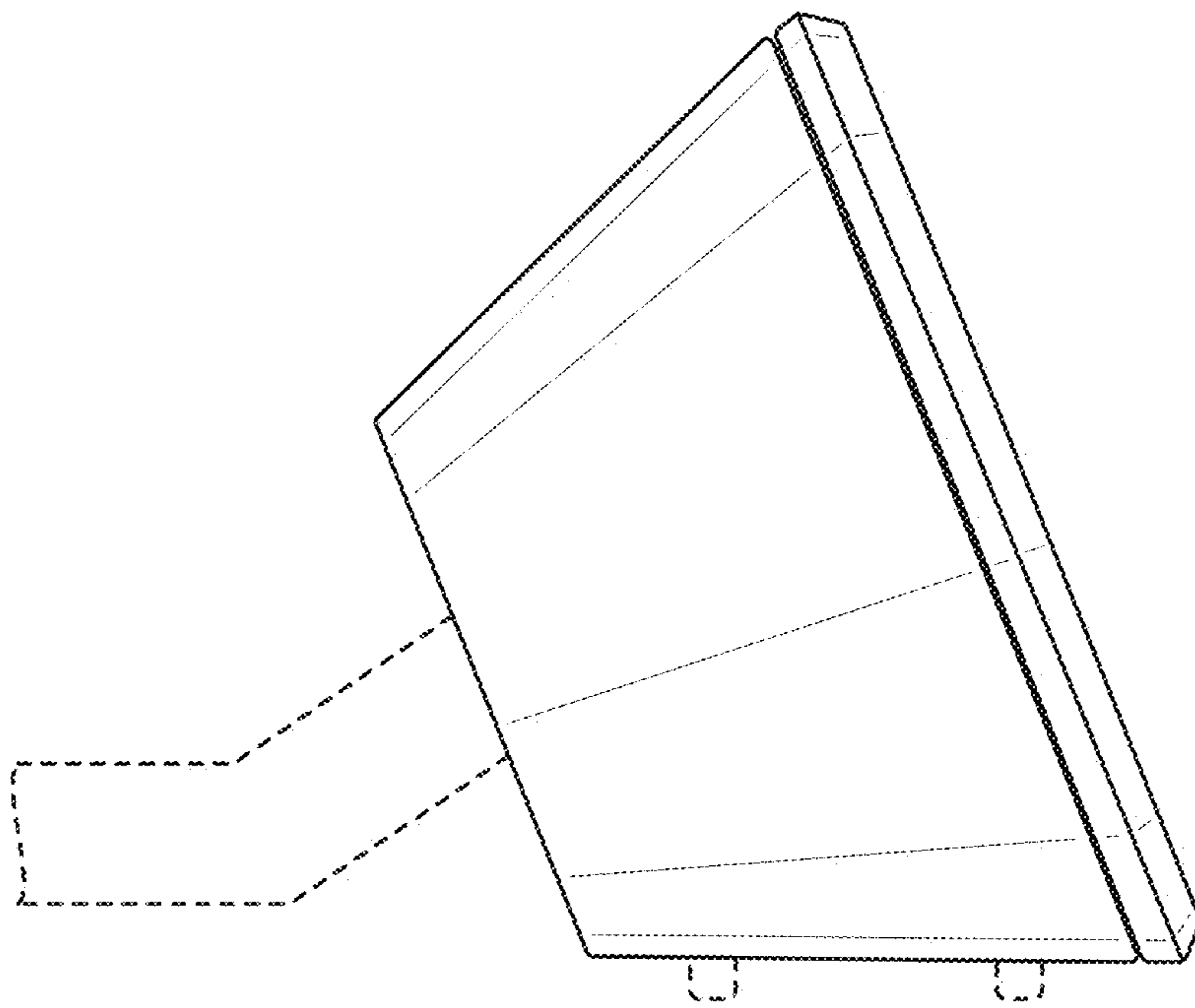


FIG. 4

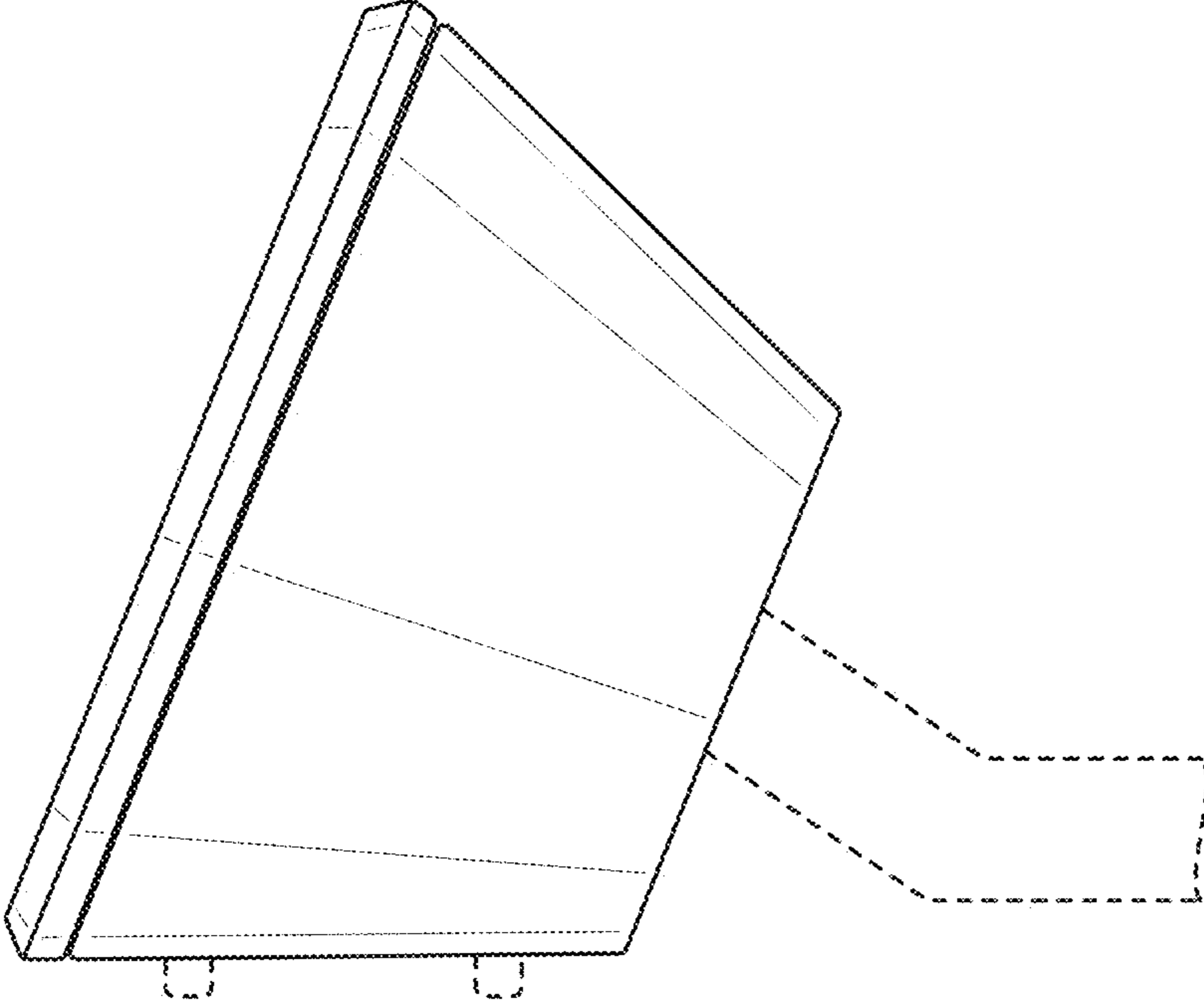


FIG. 5

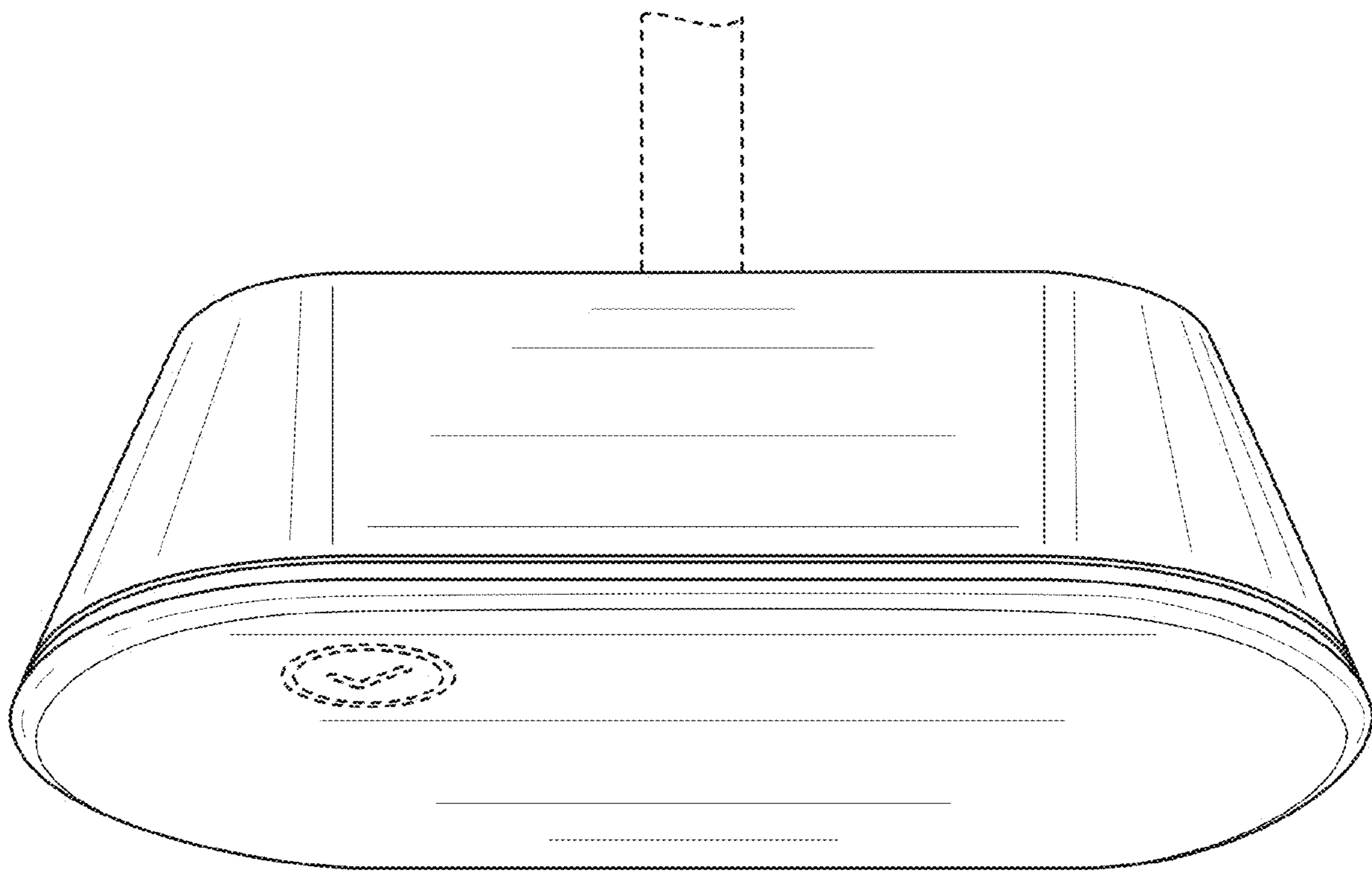


FIG. 6

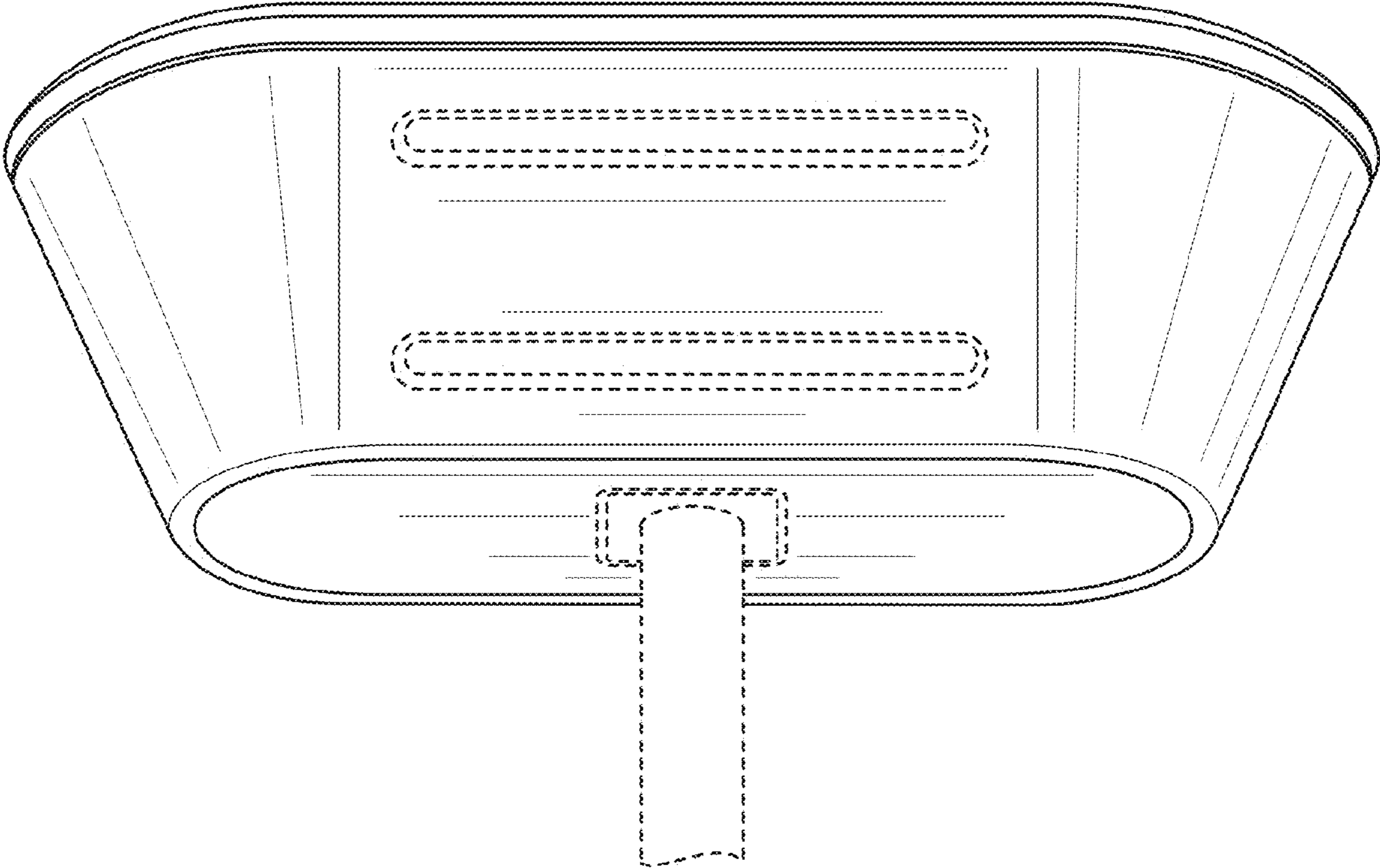


FIG. 7