



US00D912669S

(12) **United States Design Patent**  
**Min**

(10) **Patent No.:** **US D912,669 S**  
(45) **Date of Patent:** **\*\* Mar. 9, 2021**

(54) **FINGER VEIN INPUT UNIT**

(56) **References Cited**

(71) Applicant: **NANJING EASTHOUSE ELECTRICAL CO., LTD.**, Nanjing (CN)

U.S. PATENT DOCUMENTS

(72) Inventor: **Hao Min**, Nanjing (CN)

D535,992	S	*	1/2007	Ozolins	.....	D14/383
D657,953	S	*	4/2012	Hasegawa	.....	D3/294
D671,542	S	*	11/2012	Siekmann	.....	D14/422
D718,307	S	*	11/2014	Ozolins	.....	D14/383
D785,623	S	*	5/2017	Kaiya	.....	D14/384
D848,392	S	*	5/2019	Zeng	.....	D14/159
D855,613	S	*	8/2019	Kaiya	.....	D14/383
D894,182	S	*	8/2020	Min	.....	D14/384
2007/0019845	A1	*	1/2007	Kato	.....	G06K 9/00013 382/126

(73) Assignee: **NANJING EASTHOUSE ELECTRICAL CO., LTD.**, Nanjing (CN)

(\*\*) Term: **15 Years**

\* cited by examiner

(21) Appl. No.: **29/738,868**

*Primary Examiner* — Austin Murphy

(22) Filed: **Jun. 19, 2020**

(74) *Attorney, Agent, or Firm* — Ming Jiang; MM IP Services LLC

**Related U.S. Application Data**

(62) Division of application No. 29/638,242, filed on Feb. 26, 2018, now Pat. No. Des. 894,182.

(57) **CLAIM**

(51) **LOC (13) Cl.** ..... **14-02**  
(52) **U.S. Cl.**  
USPC ..... **D14/384**; D14/383

I claim the ornamental design for finger vein input unit, as shown and described.

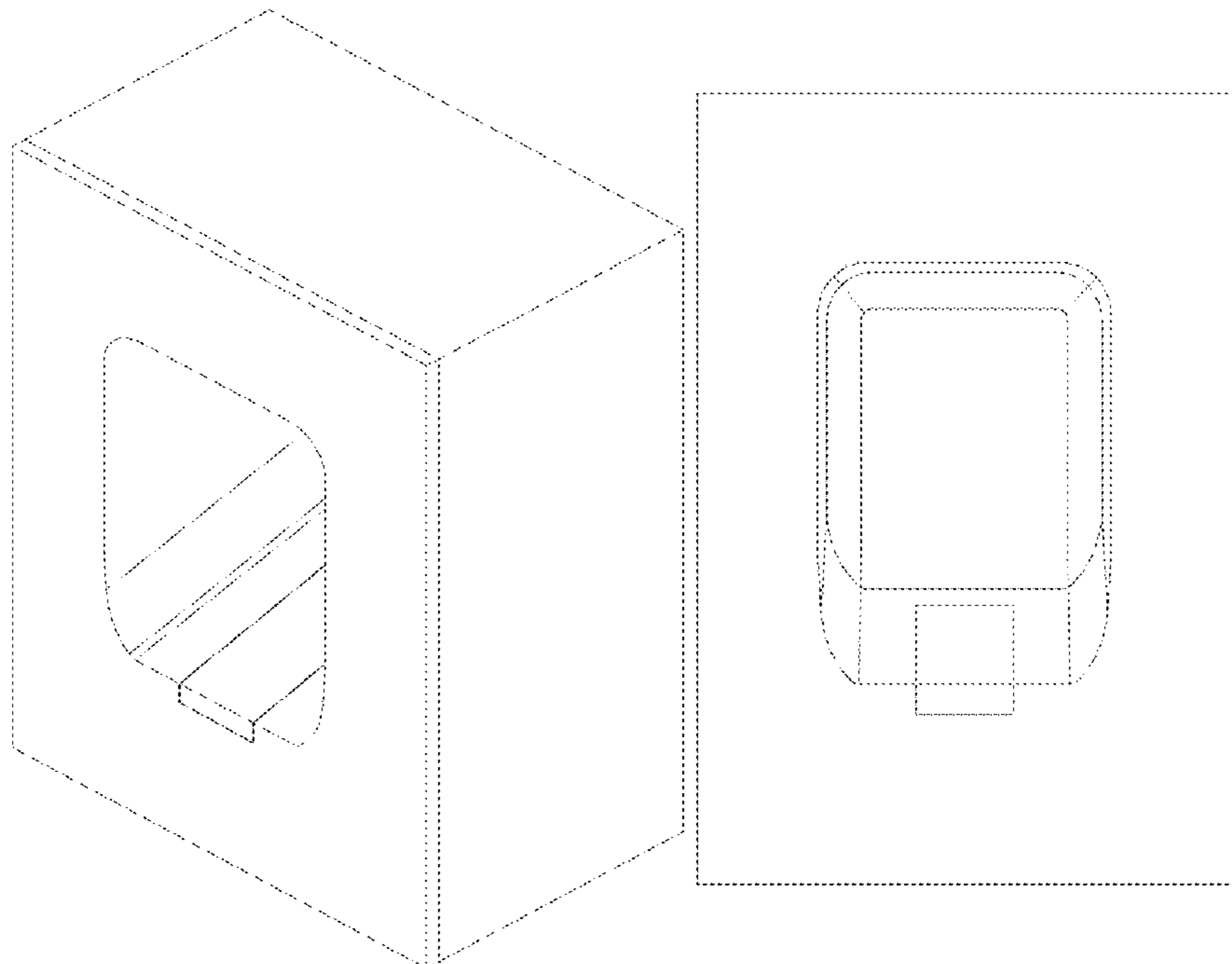
(58) **Field of Classification Search**  
USPC ..... D14/300–302, 313, 314, 341, 348–370, D14/383, 385, 432, 436, 496, 125, 135, D14/134, 155, 167, 168, 230, 231, 233, D14/235, 237, 240–242, 299; D10/65, D10/75, 78; D13/103, 149, 162, 184, D13/199; D18/4.4–4.6, 12.1, 56; 361/679.31–679.45, 752; 711/100, 115; 382/115, 124; 356/71; 235/380, 461, 235/382, 472.01, 472.02; D3/201, 273  
CPC ..... G06K 9/00006; G06K 7/0013; G06K 9/00026; G06F 21/00; G06Q 30/00

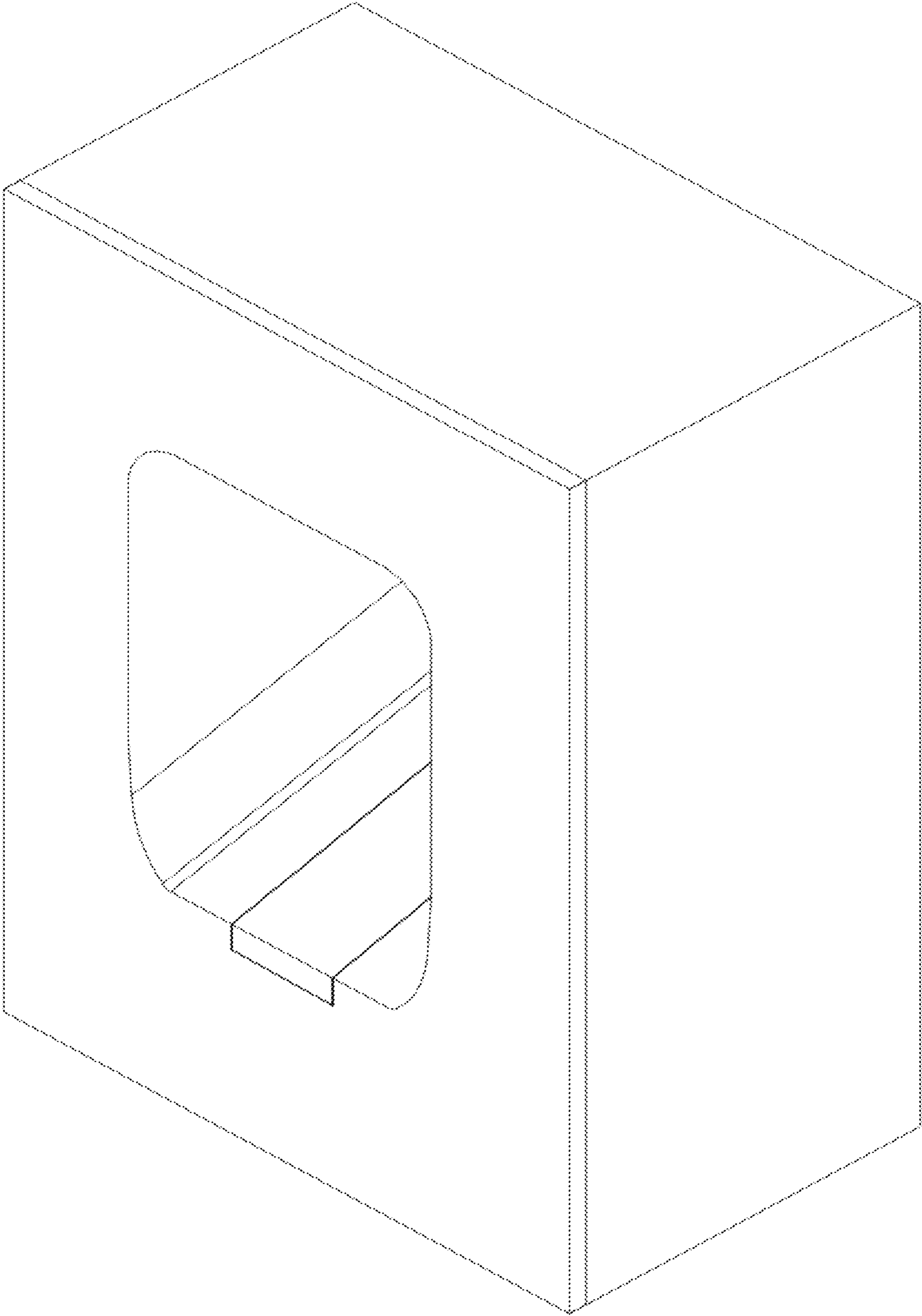
**DESCRIPTION**

FIG. 1 is a front right perspective view of the finger vein input unit;  
FIG. 2 is a front plan view thereof;  
FIG. 3 is a rear plan view thereof;  
FIG. 4 is a right plan view thereof;  
FIG. 5 is a left plan view thereof;  
FIG. 6 is a top plan view thereof; and,  
FIG. 7 is a bottom plan view thereof.

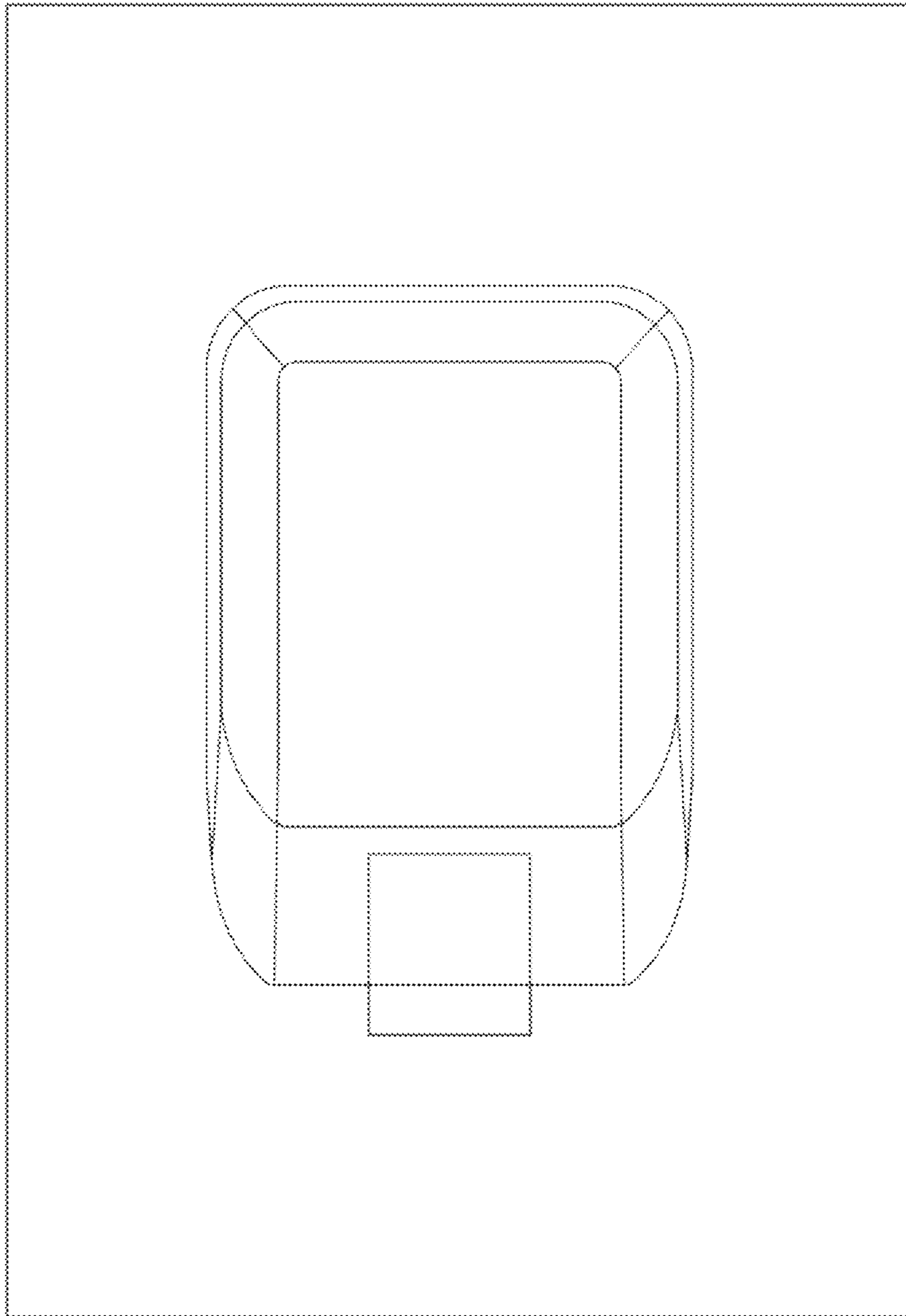
See application file for complete search history.

**1 Claim, 6 Drawing Sheets**

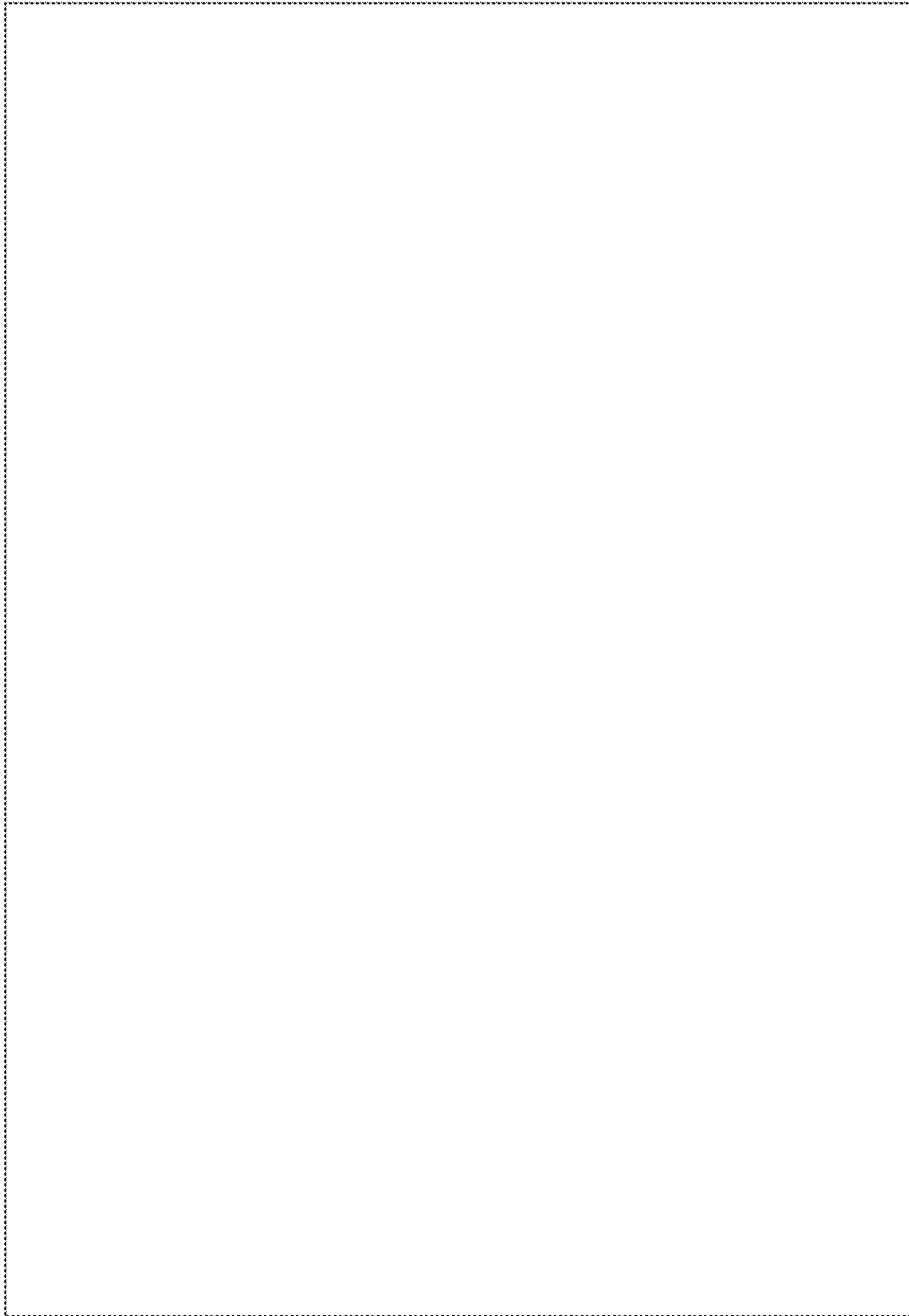




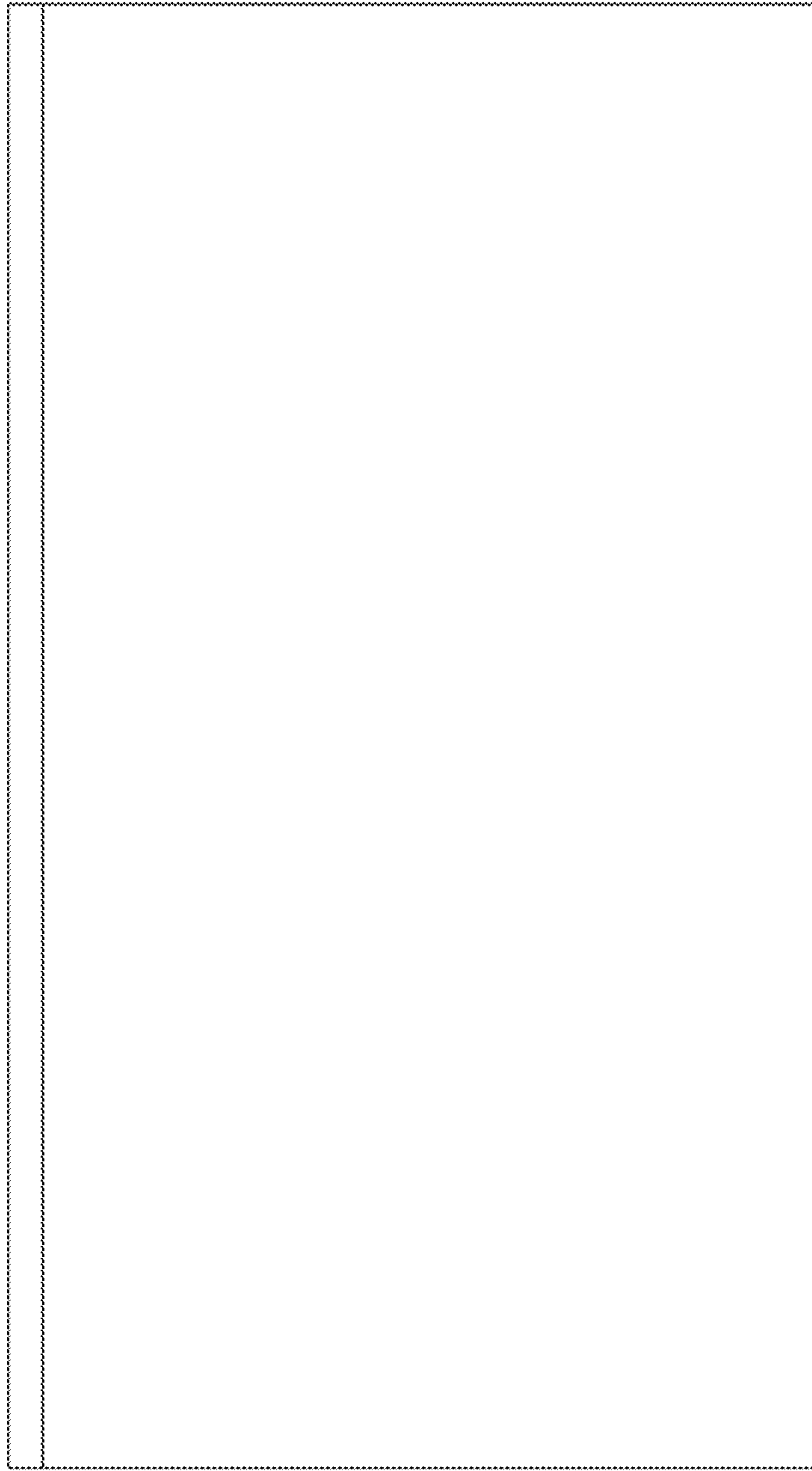
**FIG. 1**



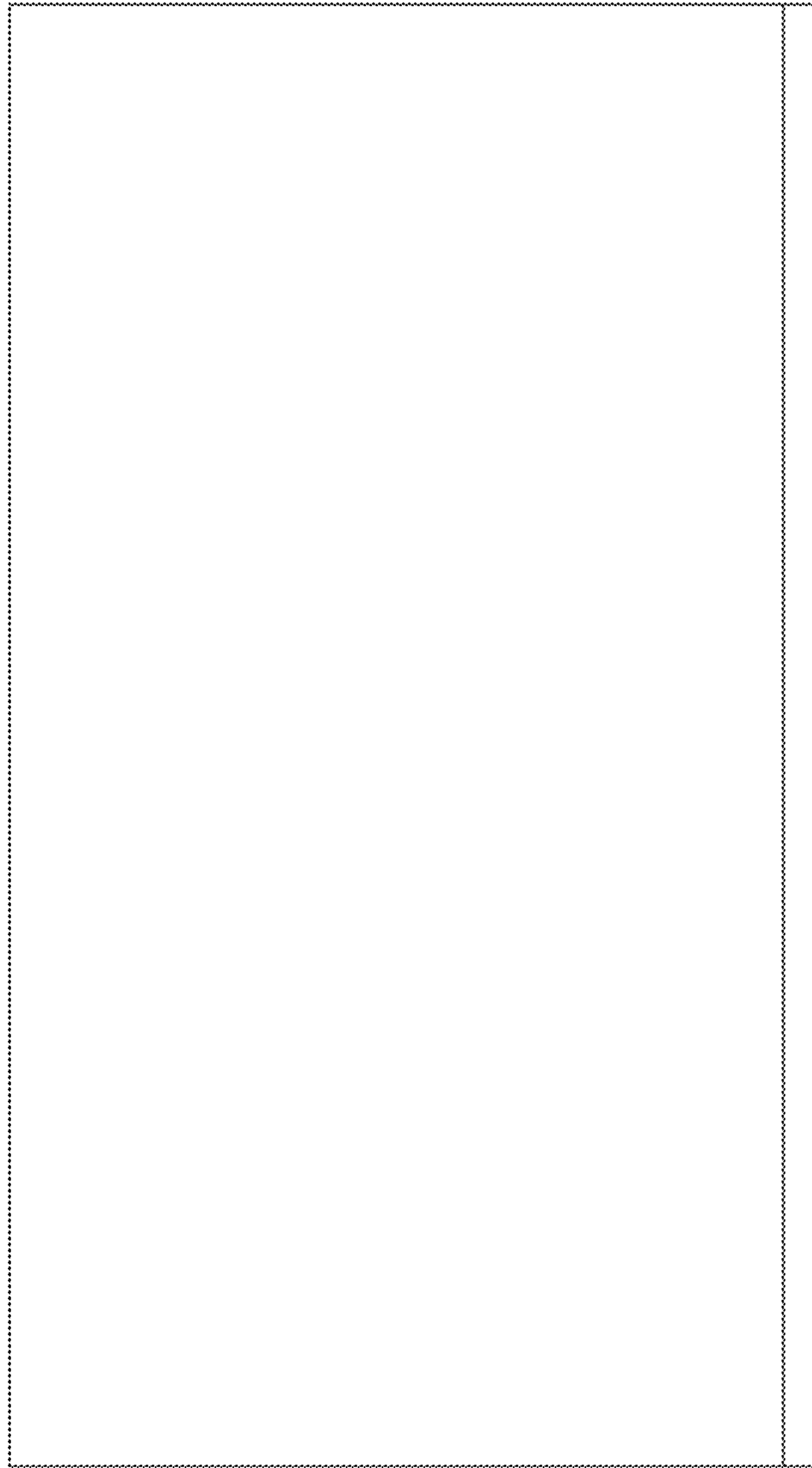
**FIG. 2**



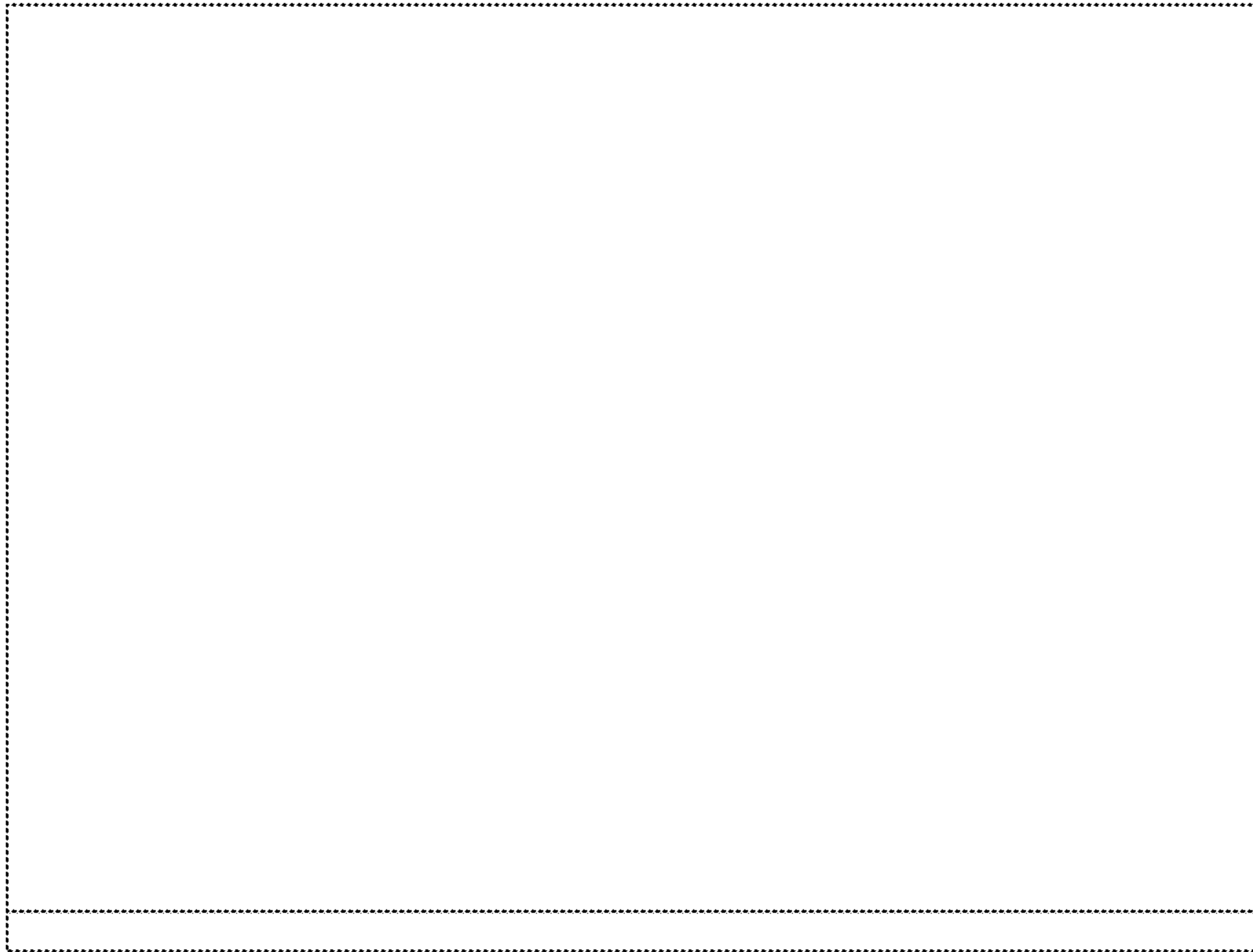
**FIG. 3**



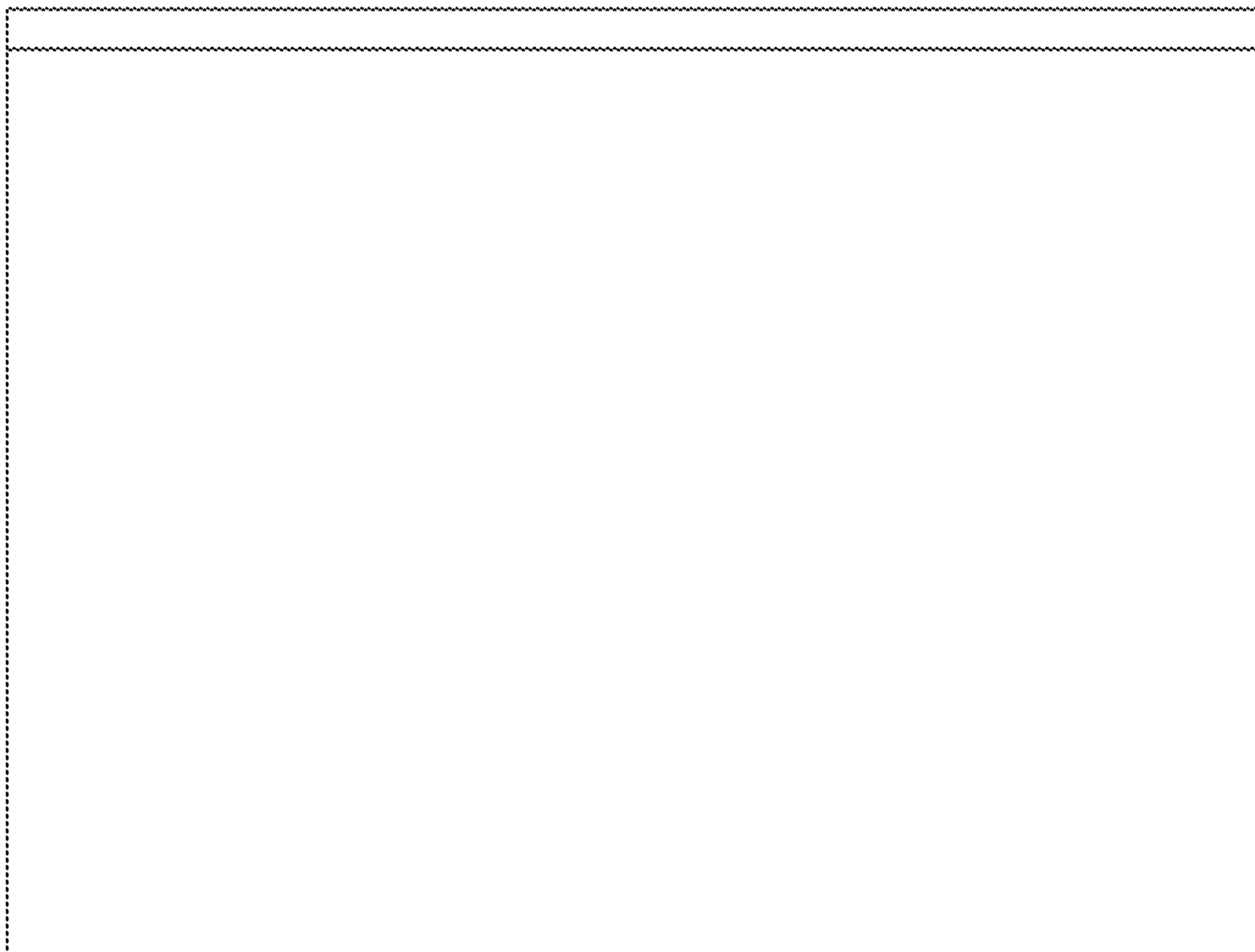
**FIG. 4**



**FIG. 5**



**FIG. 6**



**FIG. 7**