



US00D912665S

(12) **United States Design Patent** (10) **Patent No.:** **US D912,665 S**
Zhang (45) **Date of Patent:** **** Mar. 9, 2021**

(54) **SMART WATCH**
(71) Applicant: **Caihong Zhang**, Guangdong (CN)
(72) Inventor: **Caihong Zhang**, Guangdong (CN)
(**) Term: **15 Years**
(21) Appl. No.: **29/738,709**
(22) Filed: **Jun. 19, 2020**
(51) **LOC (13) Cl.** **14-02**
(52) **U.S. Cl.**
USPC **D14/344**
(58) **Field of Classification Search**
USPC .. D14/138 R, 144, 341, 344, 358, 388, 218;
D10/30-39, 70, 98; D11/3, 4, 26, 93-94,
D11/78.1, 79, 86; D24/167, 169,
D24/186-187, 164
CPC A41D 1/002; A41D 19/0034; G04G 17/00;
G04G 17/02; G04G 17/08; G04G 17/083;
G04G 17/086; G04C 3/00; G04C 3/001;
G04C 3/002; G04C 3/004; G04C 3/005;
G04C 3/007; G04C 17/00; G04C 23/02;
G04C 23/04; G04B 3/04; G04B 19/24;
G04B 19/26; G04B 37/00; G04B
45/0069; G04B 47/04; G04B 37/0008;
G04B 37/0058; G04B 37/12; G04B
37/18; G04B 45/00; G04B 47/00; G04B
47/042; G04B 47/06; G04B 47/063
See application file for complete search history.

D850,317 S * 6/2019 Hinds D11/3
D862,462 S * 10/2019 Zhang D14/344
D866,350 S * 11/2019 Park et al.
D869,461 S * 12/2019 Ke D14/344
D876,244 S * 2/2020 Park D10/32
D887,406 S * 6/2020 Mao D14/344
D889,459 S * 7/2020 Zhang D14/344
2017/0065224 A1 * 3/2017 Rahko A61B 5/02438

OTHER PUBLICATIONS

Tinwoo Smart Watch, posted Mar. 18, 2020, [retrieved Sep. 2, 2020]. Retrieved from Internet, <URL: <https://www.amazon.com/dp/B0861MKGQS>>.*
New images of Fitbit Versa 3 and Fitbit Sense leak, Plus, a look at Fitbit's Inspire 2, posted Aug. 18, 2020, [retrieved Sep. 2, 2020]. Retrieved from Internet, <URL: <https://www.theverge.com/2020/8/18/21374022/fitbit-versa-3-sense-inspire-2-leak-render-smartwatch>>.*

* cited by examiner

Primary Examiner — George D. Kirschbaum
Assistant Examiner — Joseph J Kukella

(57) **CLAIM**

The ornamental design for a smart watch, as shown and described.

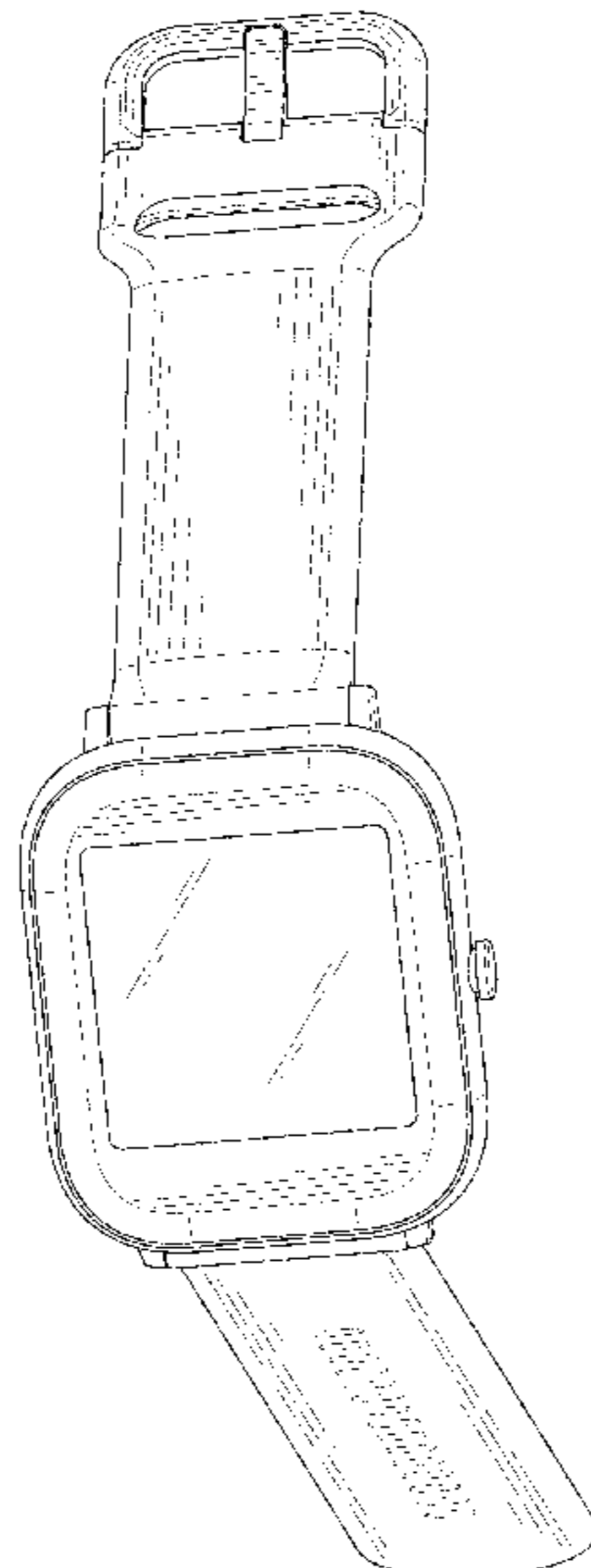
DESCRIPTION

FIG. 1 is a front perspective view of a smart watch, showing my new design;
FIG. 2 is a rear perspective view thereof;
FIG. 3 is a front elevational view thereof;
FIG. 4 is a rear elevational view thereof;
FIG. 5 is a left side elevational view thereof;
FIG. 6 is a right side elevational view thereof;
FIG. 7 is a top plan view thereof; and,
FIG. 8 is a bottom plan view thereof.
The broken lines in the figures illustrate portions of the smart watch that form no part of the claimed design.

1 Claim, 8 Drawing Sheets

(56) **References Cited**
U.S. PATENT DOCUMENTS

D709,874 S * 7/2014 Aumiller D14/344
D727,197 S * 4/2015 Akana D11/3
D736,652 S * 8/2015 Isaacs D10/32
D787,511 S 5/2017 Lee et al.
D796,045 S * 8/2017 Henning D24/186
D812,608 S * 3/2018 Jones D14/344
D838,716 S * 1/2019 Teng D14/344



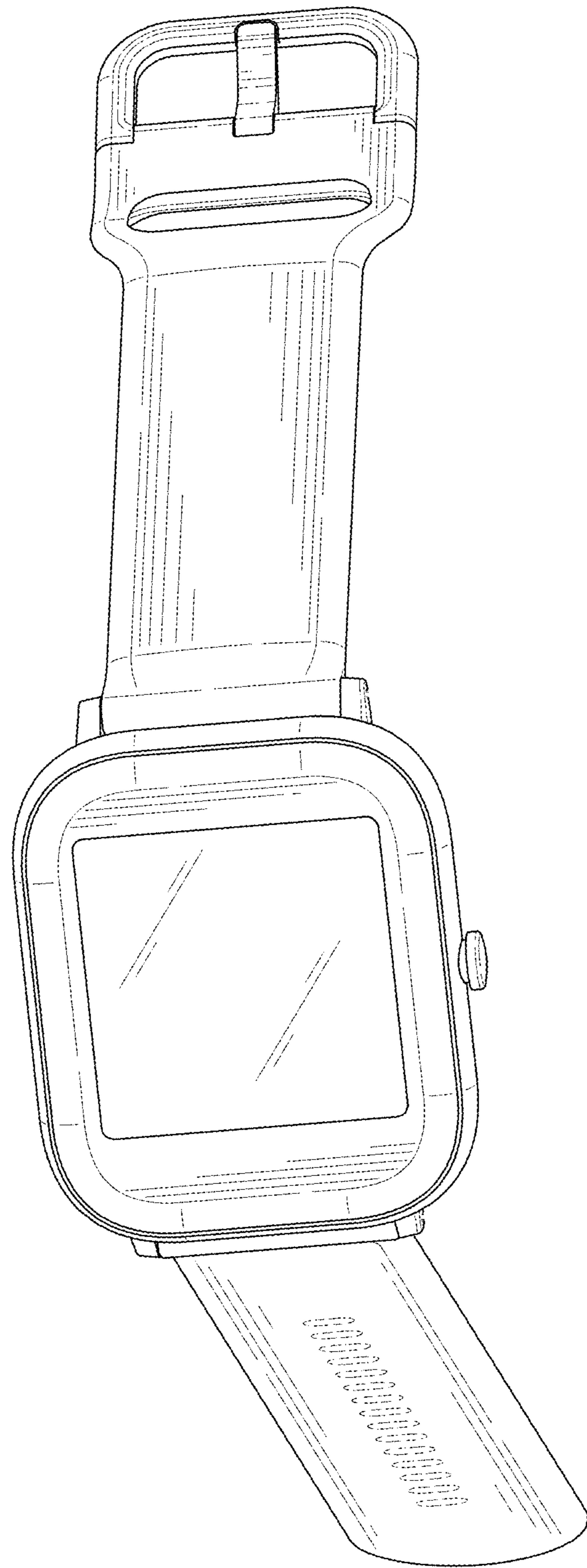


FIG. 1

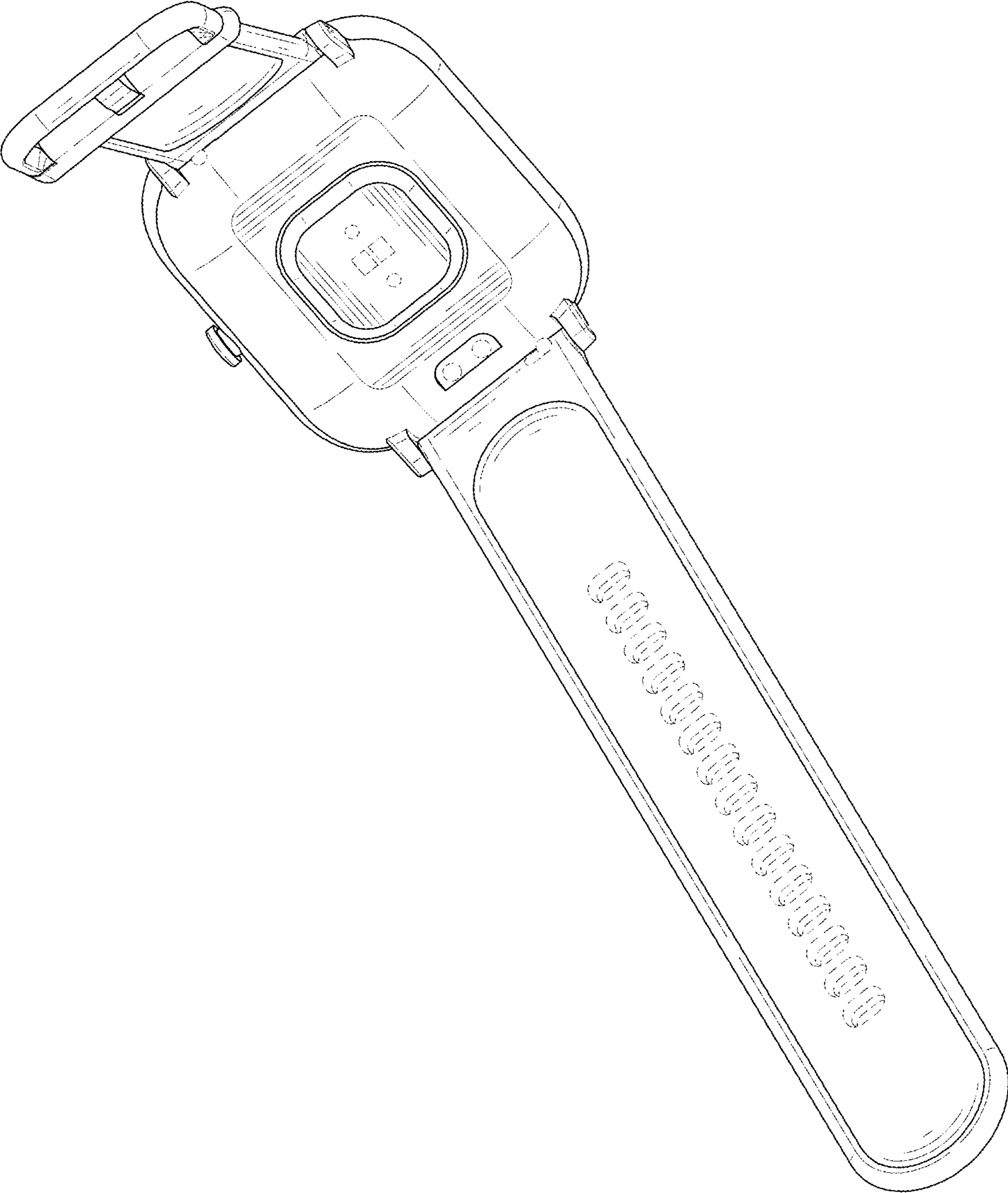


FIG. 2

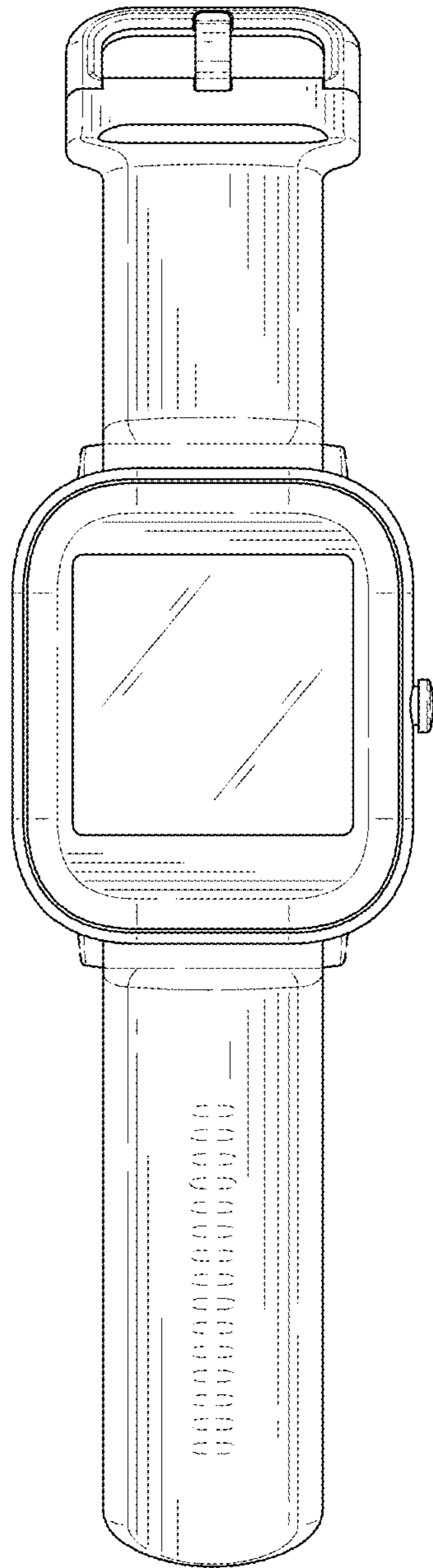


FIG. 3

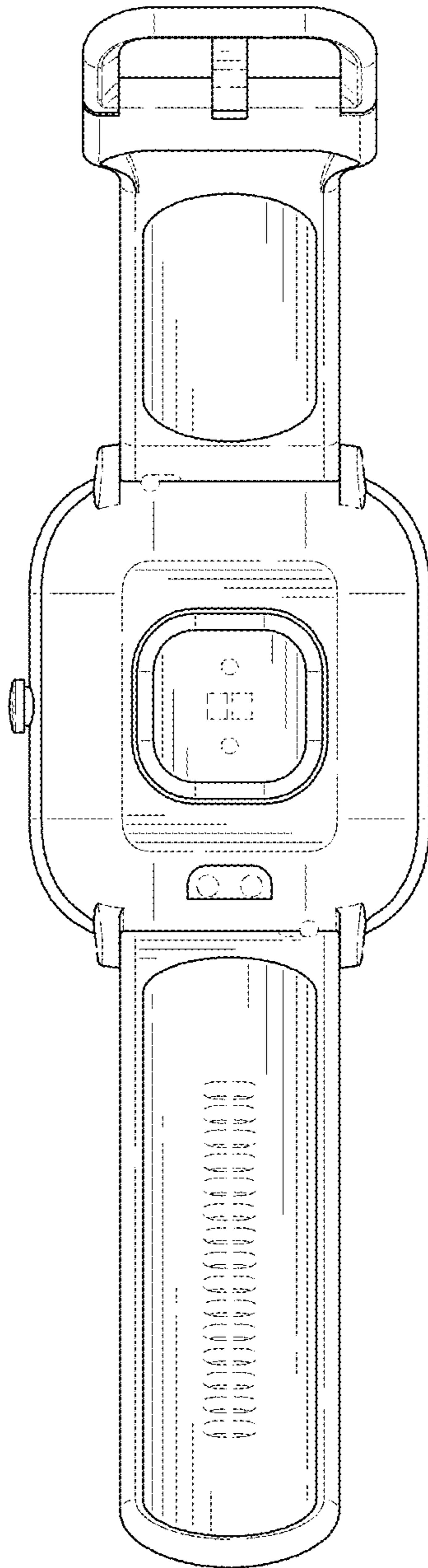


FIG. 4

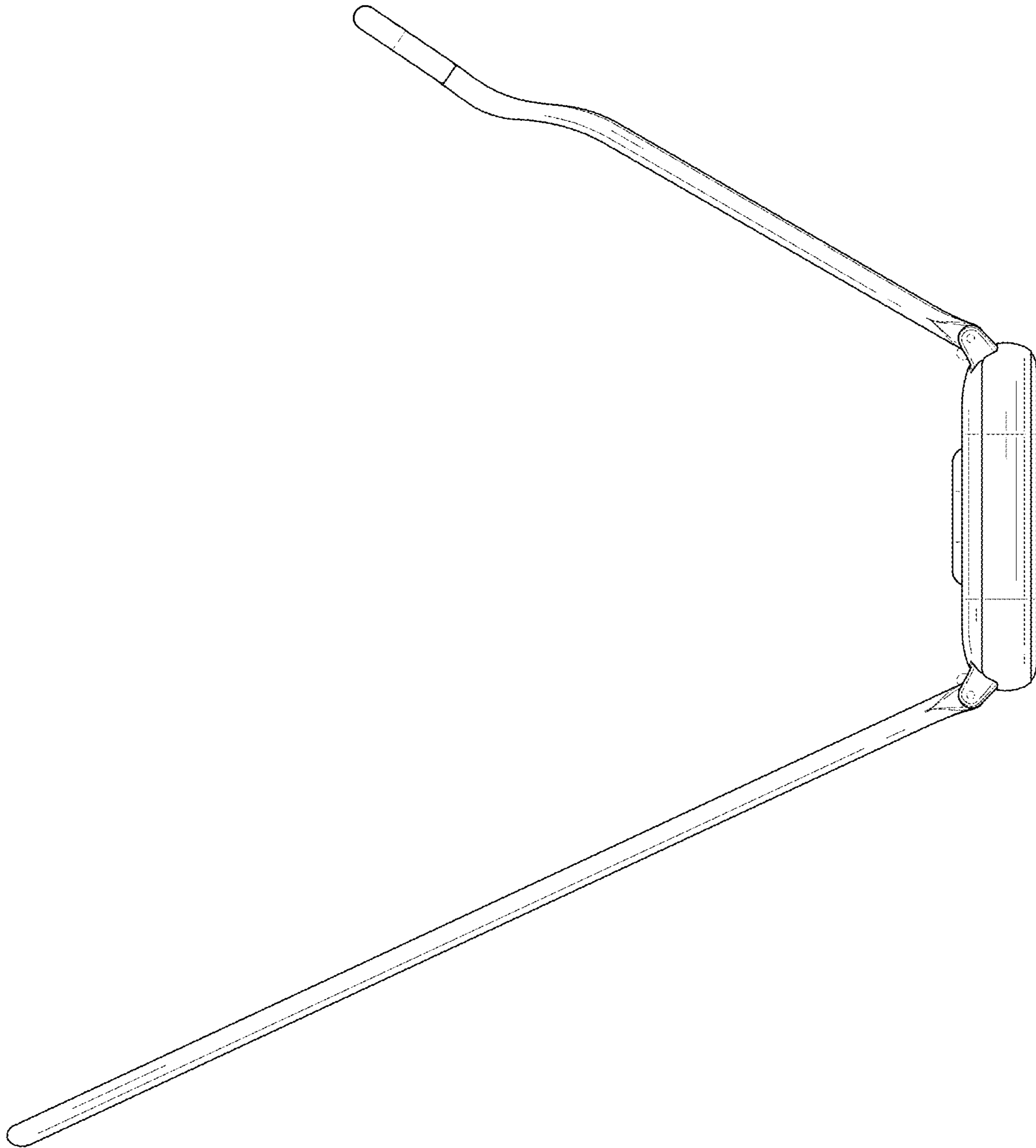


FIG. 5

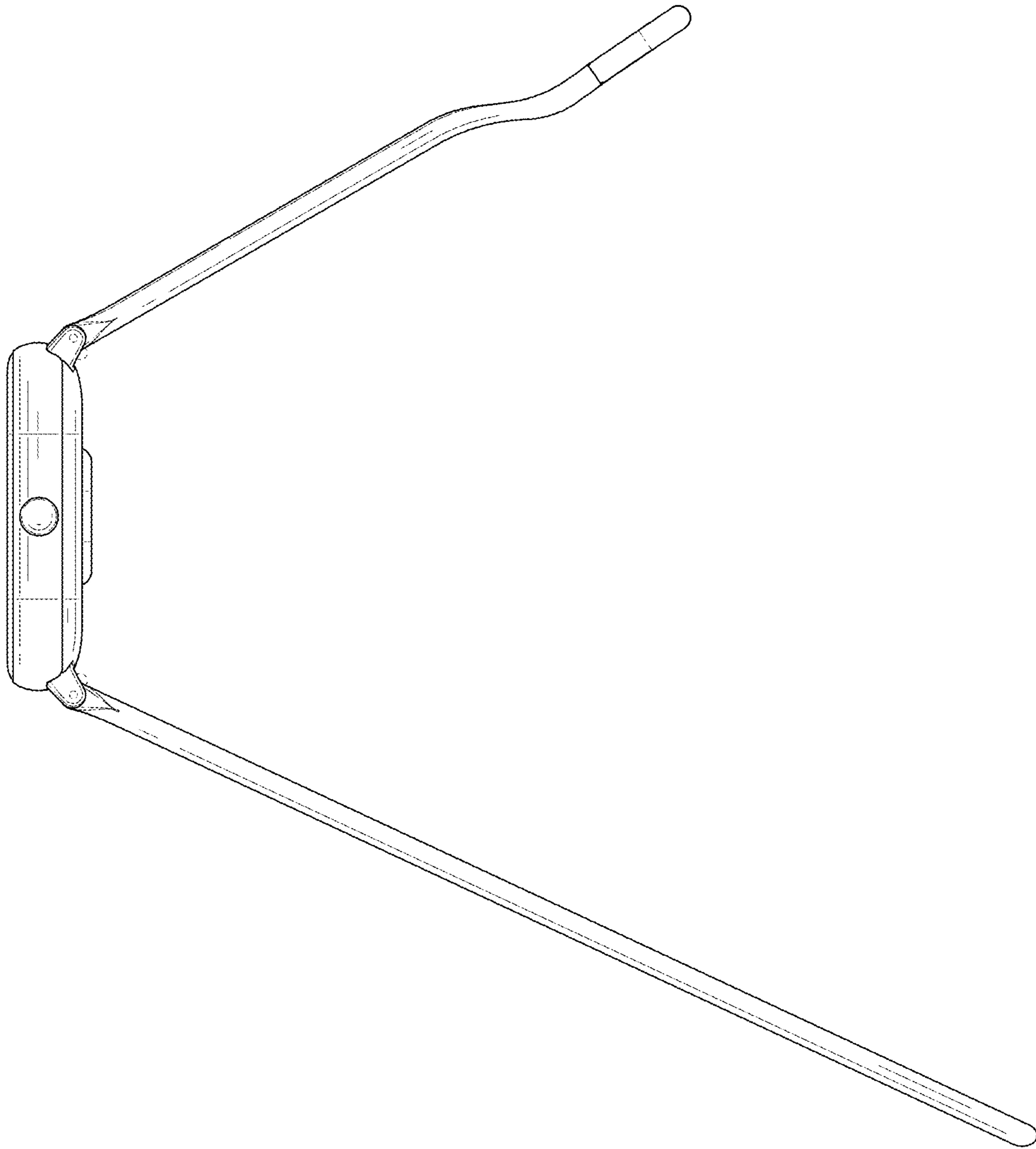


FIG. 6

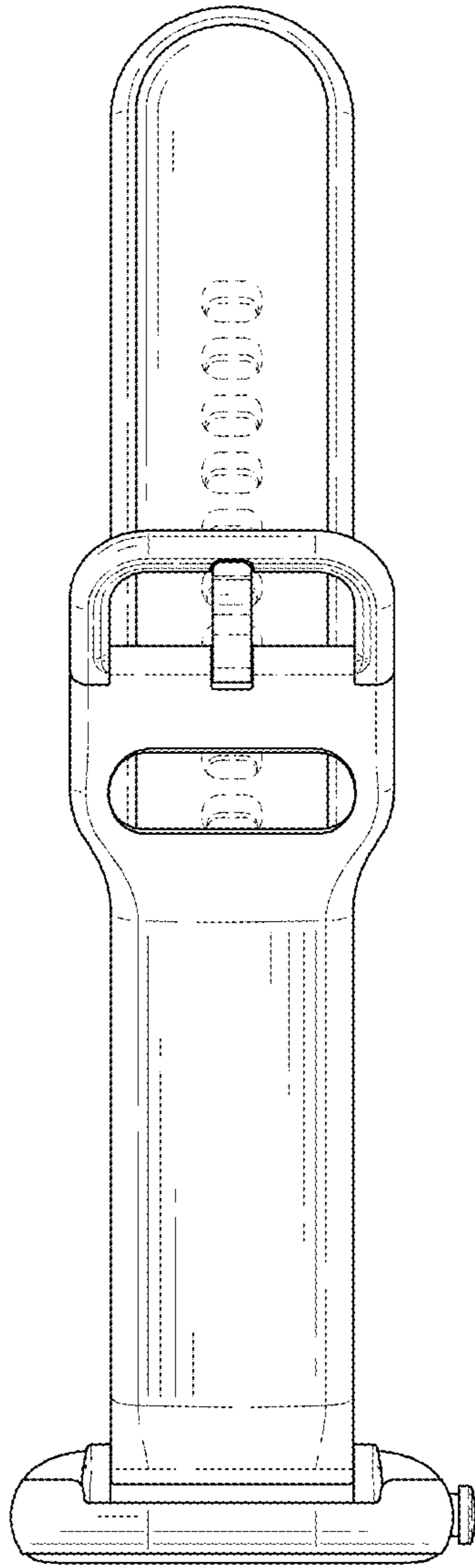


FIG. 7

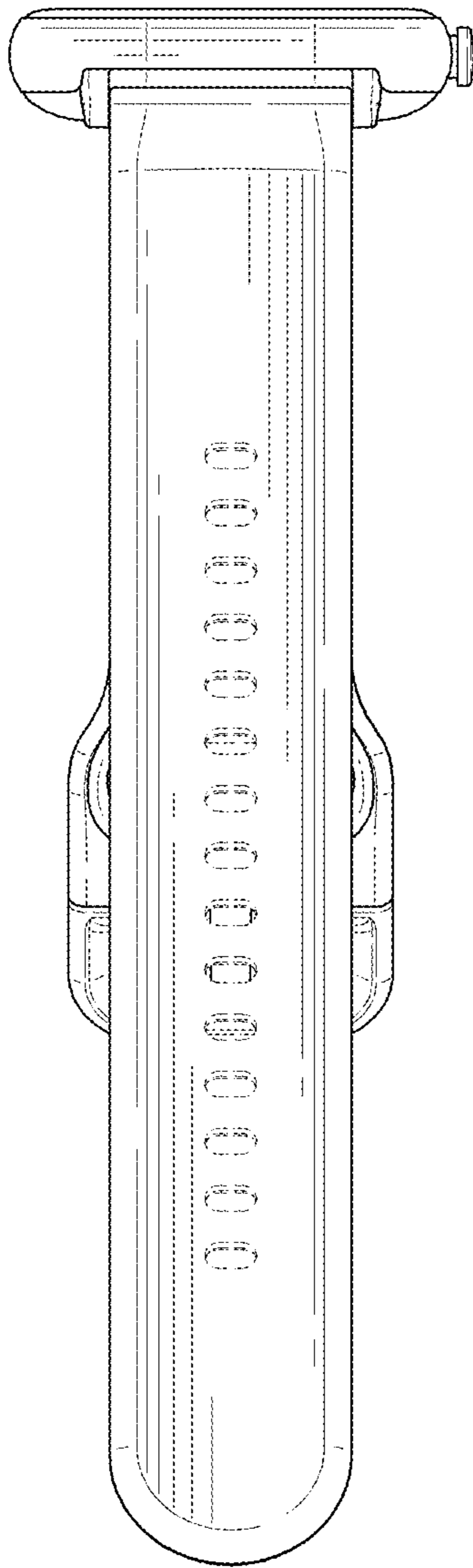


FIG. 8