



US00D912663S

(12) **United States Design Patent** (10) **Patent No.:** **US D912,663 S**  
**Cebe et al.** (45) **Date of Patent:** **\*\* Mar. 9, 2021**

(54) **COMPUTER**

(71) Applicant: **HEWLETT-PACKARD DEVELOPMENT COMPANY, L.P.**, Houston, TX (US)

(72) Inventors: **Chrome Manley Cebe**, Houston, TX (US); **Matthew W. Tivnon**, Houston, TX (US); **Marcus Hoggarth**, London (GB); **Jack Godfrey Wood**, London (GB); **Oliver Poyntz**, London (GB); **Ian Guy**, London (GB); **Isaac Teece**, London (GB); **Stephen De Saulles**, London (GB)

(73) Assignee: **Hewlett-Packard Development Company, L.P.**, Spring, TX (US)

(\*\*) Term: **15 Years**

(21) Appl. No.: **29/647,221**

(22) Filed: **May 10, 2018**

(51) **LOC (13) Cl.** ..... **14-02**

(52) **U.S. Cl.**  
USPC ..... **D14/336; D14/307**

(58) **Field of Classification Search**  
USPC ..... D14/314, 315, 316, 318, 336, 339-341, D14/371, 434, 439-440, 447, 451, 900, D14/902, 307, 375-376; D18/4.4, 4.5; D20/10

CPC .... G06F 1/1616; G06F 1/1618; G06F 1/1622; G06F 1/1637; G06F 1/1681; G06F 1/1624; G06F 1/1647; F16M 11/06; F16M 11/26; G07B 2017/00225; G06Q 30/0237; G07F 7/088; G07F 7/0886

See application file for complete search history.

(56) **References Cited**

U.S. PATENT DOCUMENTS

D460,055 S \* 7/2002 Rosen ..... B60R 11/0235 D14/126  
6,788,527 B2 \* 9/2004 Doczy ..... G06F 1/1626 312/208.1

D641,731 S \* 7/2011 Hoggarth ..... D14/216  
D645,047 S \* 9/2011 Wike ..... D14/447  
D669,464 S \* 10/2012 Birgeoglu ..... D14/307  
D671,938 S \* 12/2012 Hsu ..... D14/341  
D691,989 S \* 10/2013 Micallef ..... D14/239  
D698,785 S \* 2/2014 Canizares ..... D14/341  
D702,230 S \* 4/2014 Toh ..... D14/341  
D709,069 S \* 7/2014 Cruz ..... D14/385  
D728,576 S \* 5/2015 David ..... D14/434  
D746,902 S \* 1/2016 Lyons ..... D18/4.5  
D756,152 S \* 5/2016 Schwalbach ..... D6/677.4  
D757,162 S \* 5/2016 Lyons ..... D18/4.4  
D794,629 S \* 8/2017 Jiang ..... D14/341  
D824,895 S \* 8/2018 Tivnon ..... D14/314  
D831,640 S \* 10/2018 Tivnon ..... D14/314

(Continued)

*Primary Examiner* — Katherine Glennon

(74) *Attorney, Agent, or Firm* — Rathe Lindenbaum LLP

(57) **CLAIM**

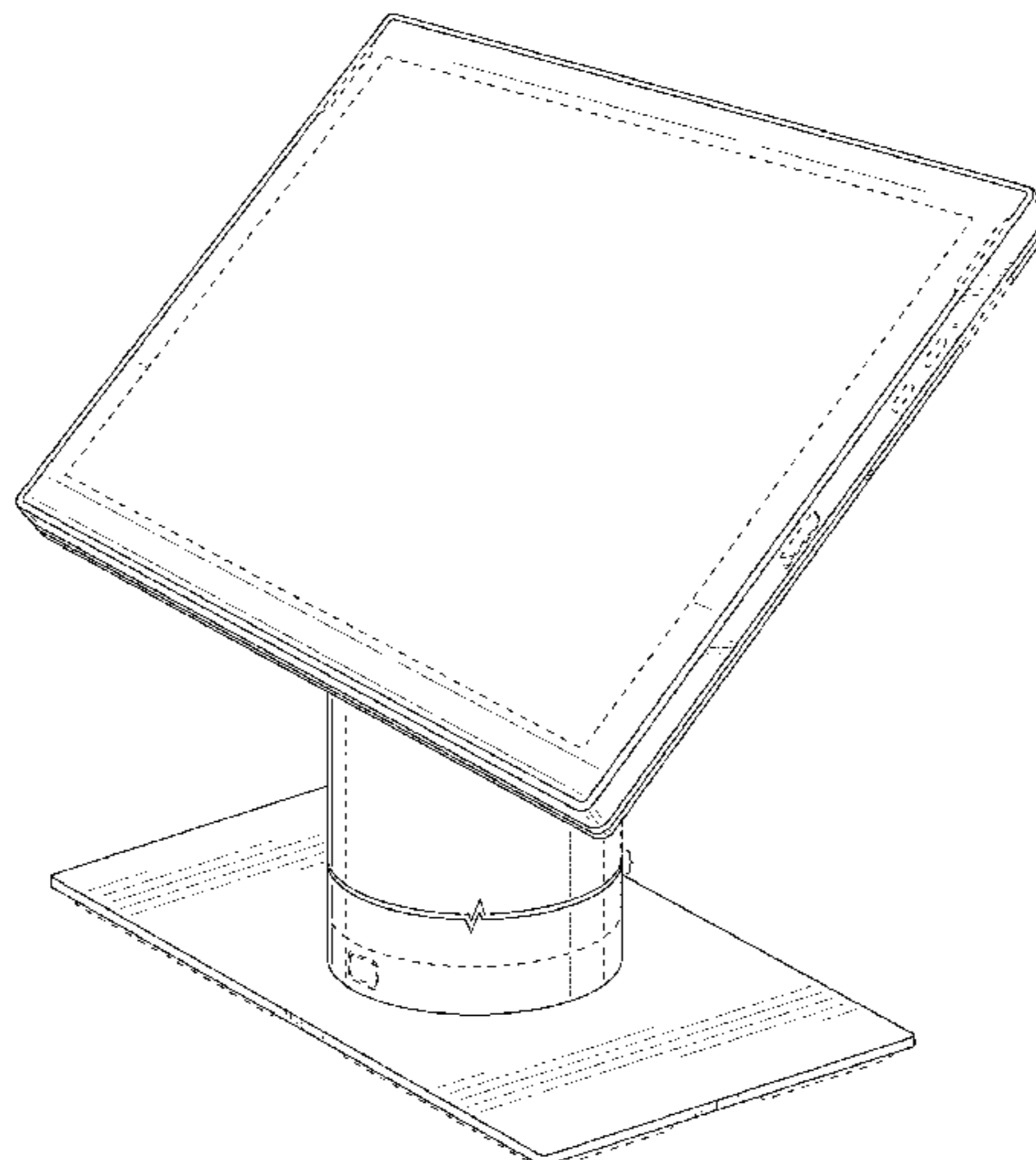
We claim the ornamental design for a computer, as shown and described.

**DESCRIPTION**

FIG. 1 is a front perspective view of the claimed design; FIG. 2 is a front elevational view thereof; FIG. 3 is a rear elevational view thereof; FIG. 4 is a right side elevational view thereof; FIG. 5 is a left side elevational view thereof; FIG. 6 is a top plan view thereof; and, FIG. 7 is a bottom plan view thereof.

The broken lines formed by dashes show unclaimed subject matter and form no part of the claimed design. The broken away symbols in the drawings indicate the appearance of the break lines and any portion of the article between the break lines forms no part of the claimed design.

**1 Claim, 7 Drawing Sheets**



(56)

**References Cited**

U.S. PATENT DOCUMENTS

D844,046 S *	3/2019	Yeruva .....	D18/4.5
D844,696 S *	4/2019	Yeruva .....	D18/4.5
D852,268 S *	6/2019	Lyons .....	D18/4.5
D875,104 S *	2/2020	Tivnon .....	D14/447
D882,676 S *	4/2020	Sorio .....	D18/4.4
2015/0102103 A1 *	4/2015	Baylis .....	G06F 1/1696 235/439

\* cited by examiner

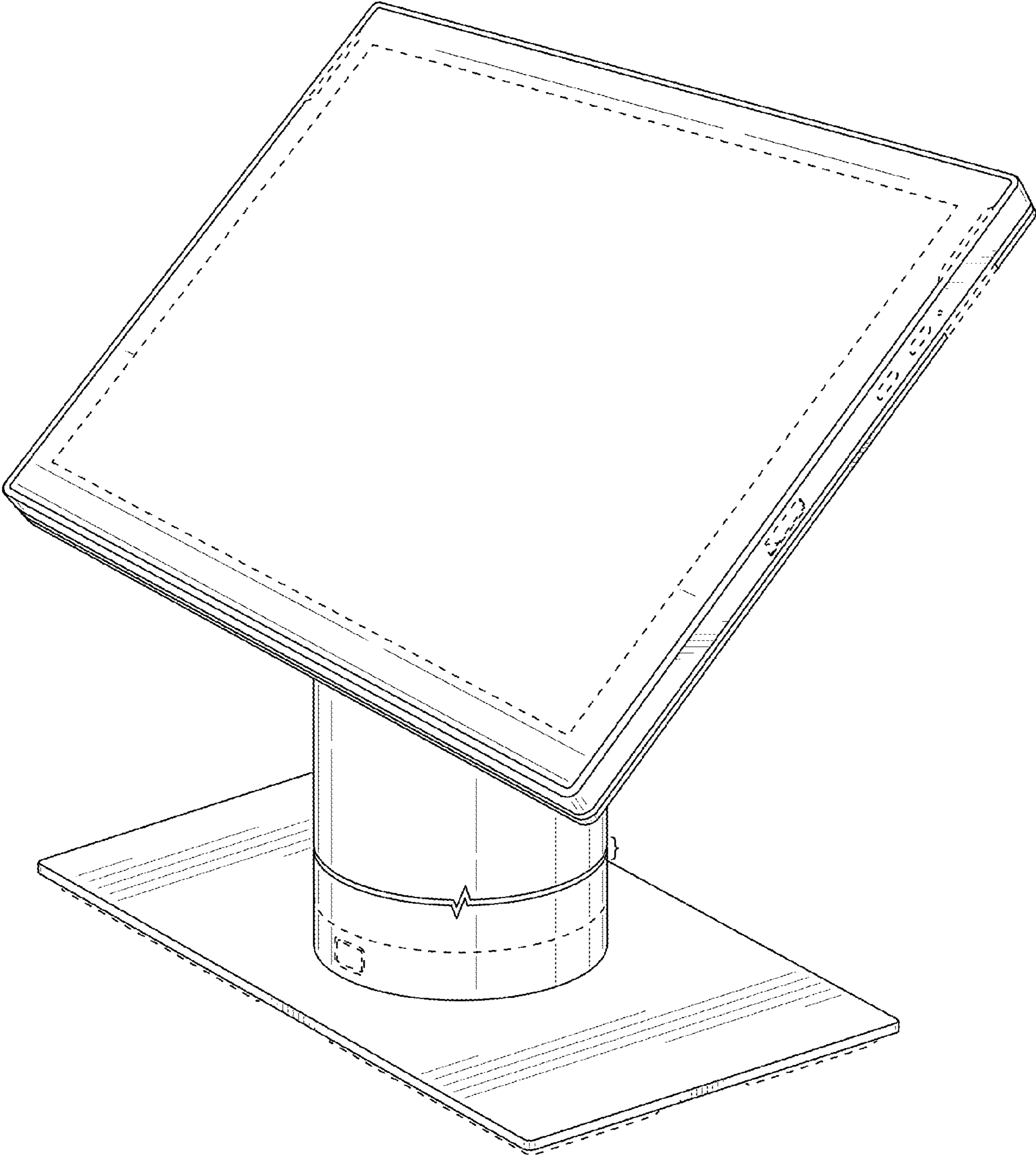


FIG. 1

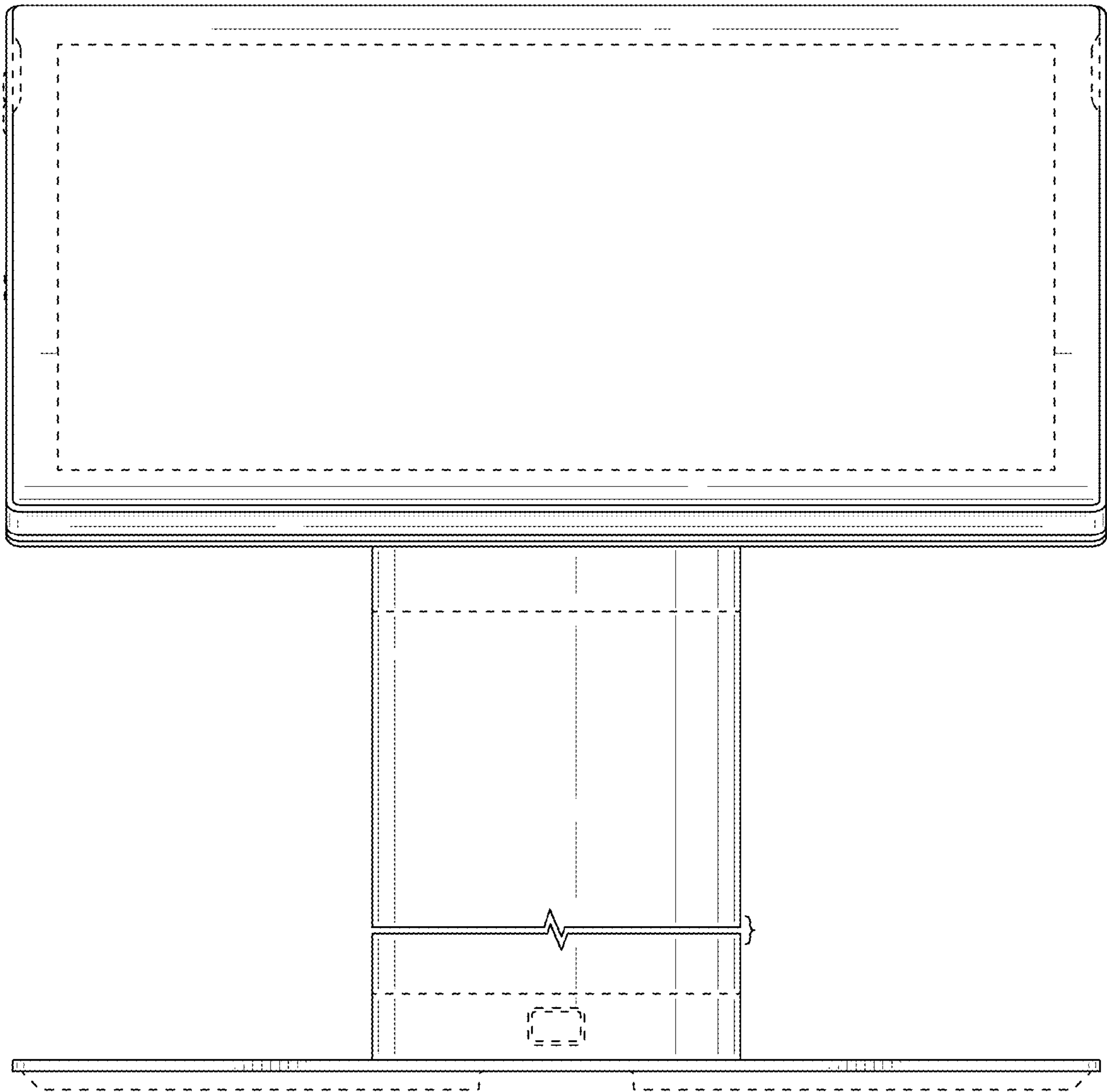


FIG. 2

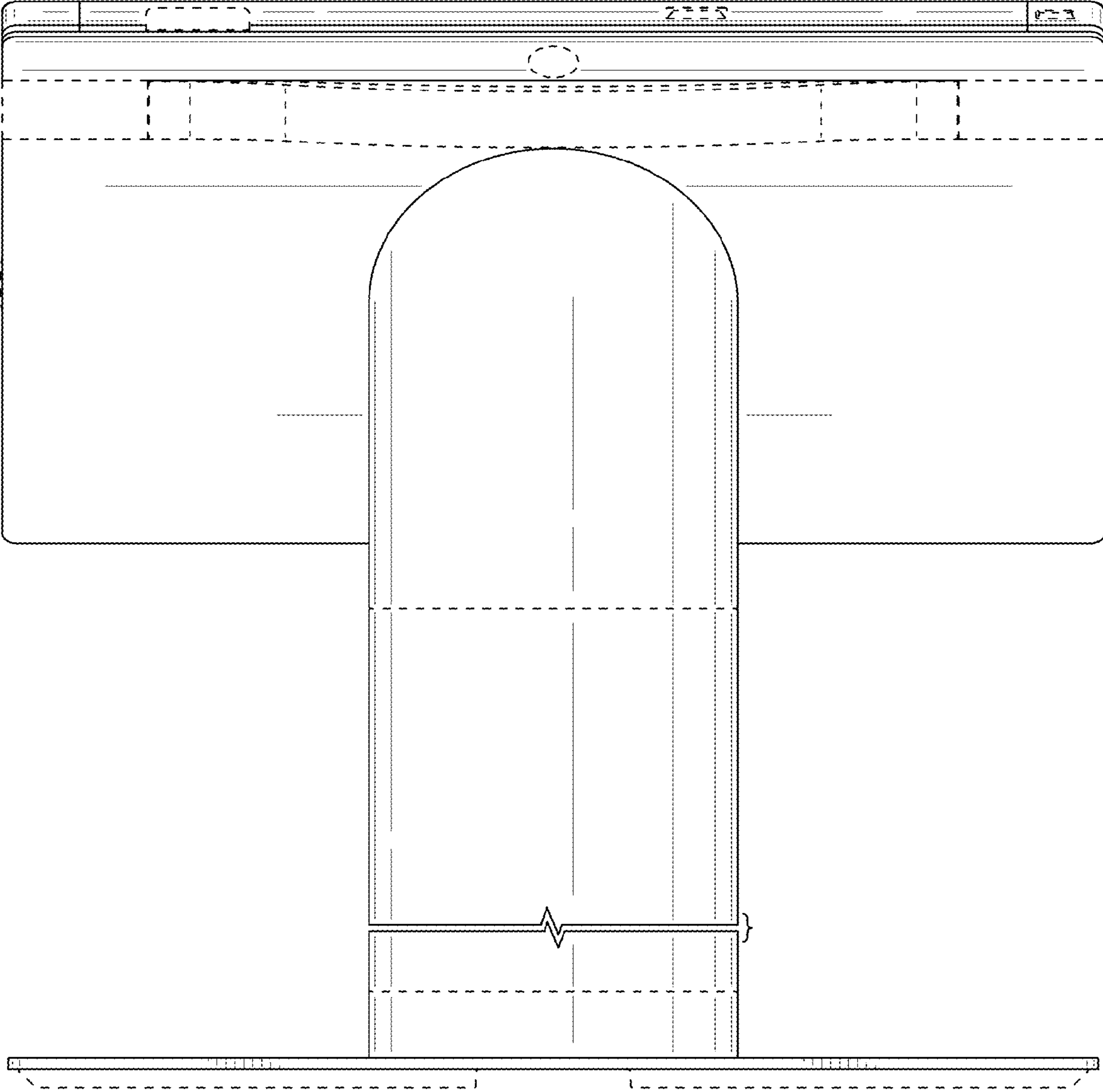


FIG. 3

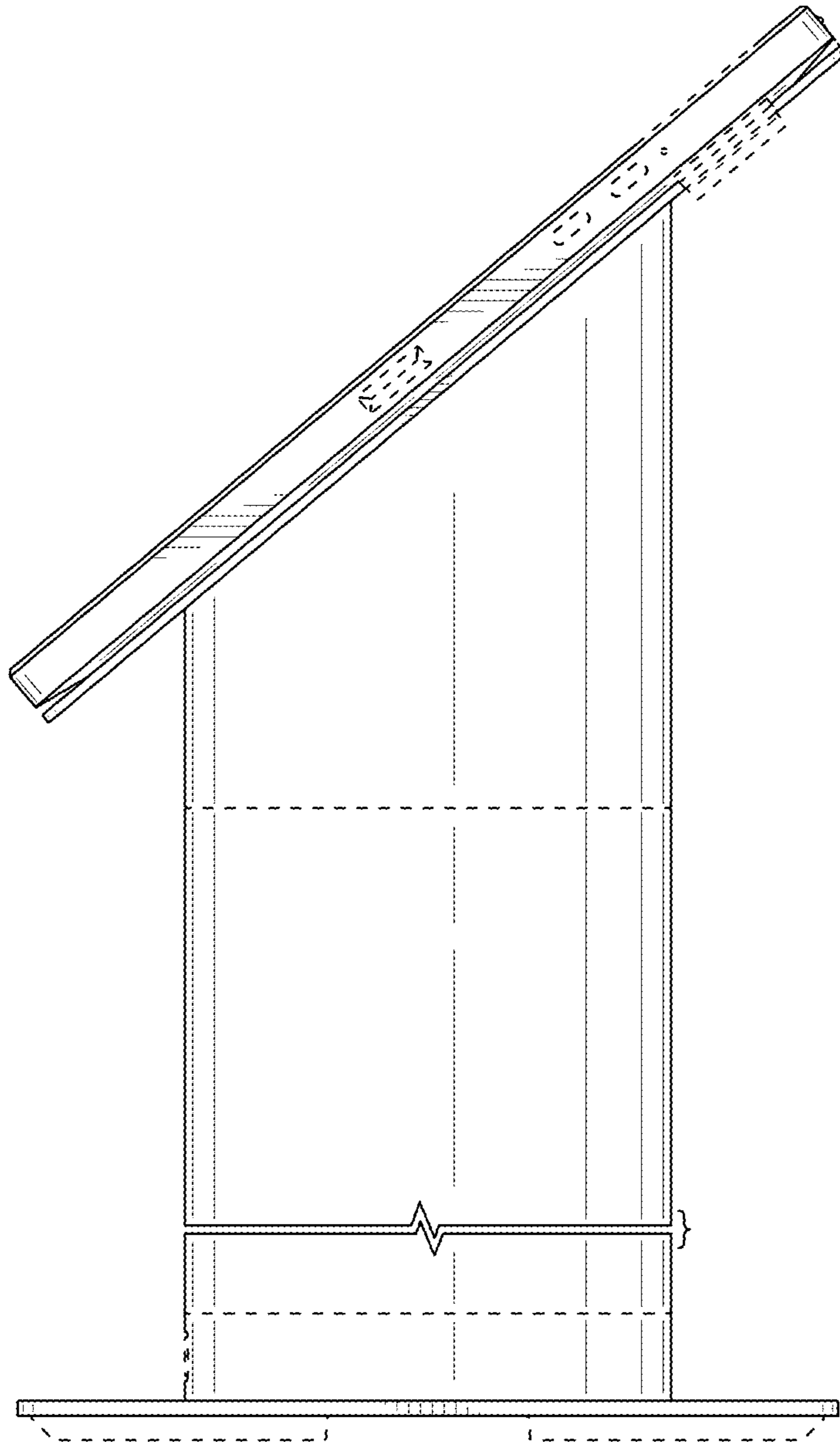
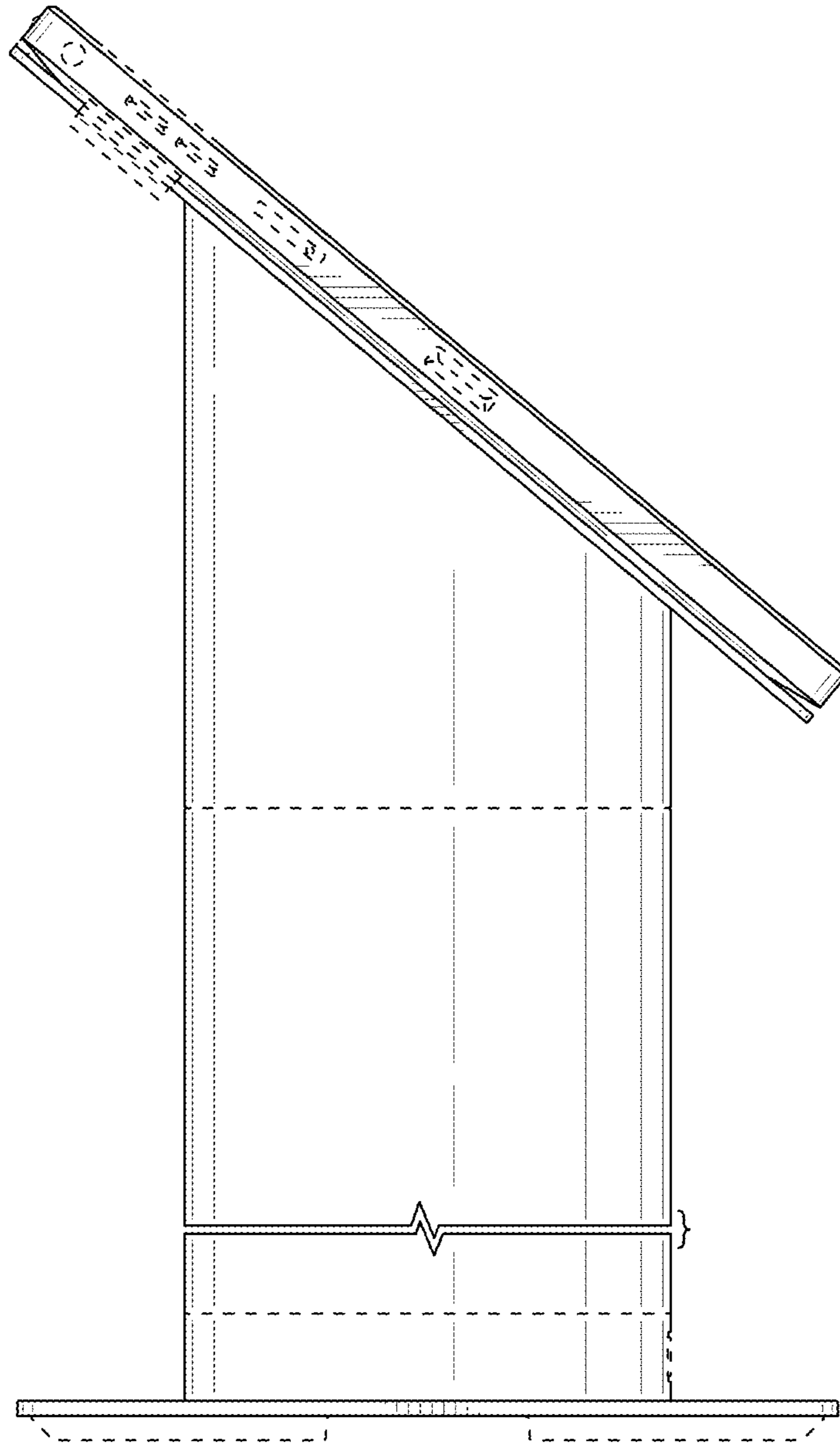


FIG. 4



**FIG. 5**

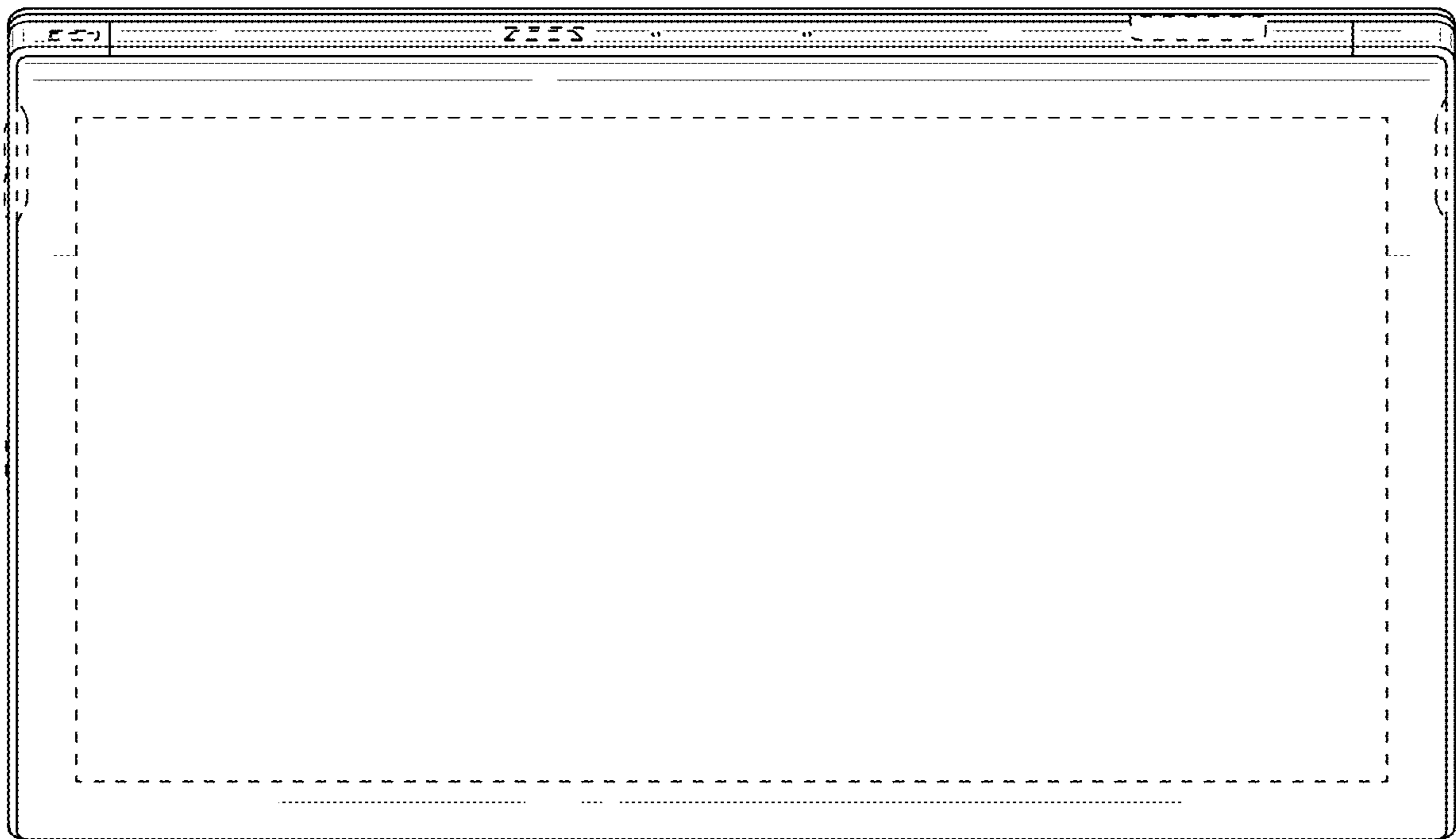
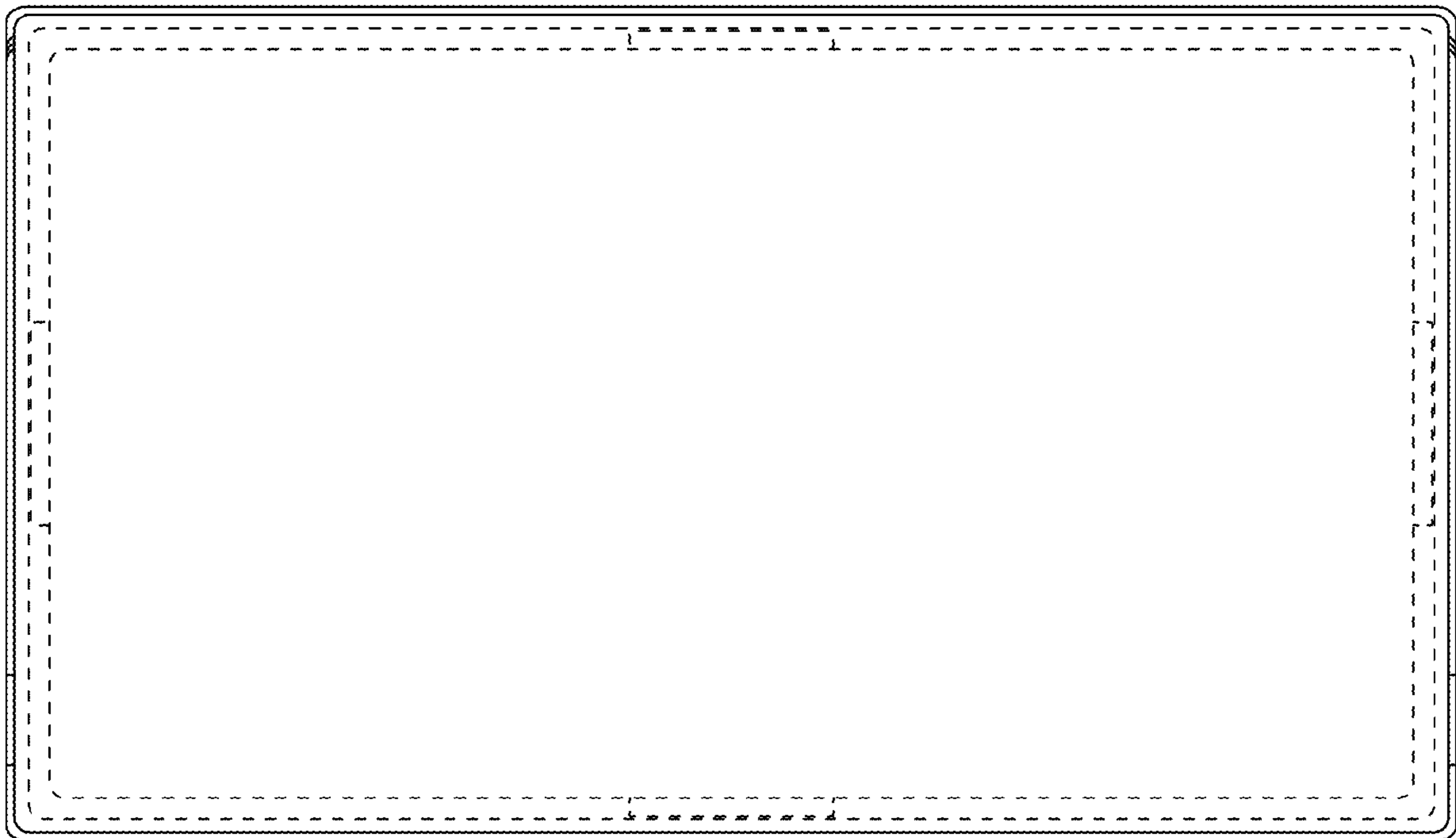


FIG. 6





**FIG. 7**