



US00D912662S

(12) **United States Design Patent** (10) **Patent No.:** **US D912,662 S**
Kurma Raju et al. (45) **Date of Patent:** **** Mar. 9, 2021**

(54) **DUAL DISPLAY COMPUTER WITH KEYBOARD**

(71) Applicant: **Intel Corporation**, Santa Clara, CA (US)

(72) Inventors: **Prakash Kurma Raju**, Bangalore (IN); **Prasanna Pichumani**, Bangalore (IN); **Gokul V. Subramaniam**, Bangalore (IN)

(73) Assignee: **Intel Corporation**, Santa Clara, CA (US)

(**) Term: **15 Years**

(21) Appl. No.: **29/642,404**

(22) Filed: **Mar. 29, 2018**

(51) **LOC (13) Cl.** **14-02**

(52) **U.S. Cl.**
USPC **D14/331**

(58) **Field of Classification Search**
USPC D14/315, 316, 318, 331, 333–336, D14/338–339, 341, 371, 373–374
CPC G06F 1/1616; G06F 1/1618; G06F 1/1622; G06F 1/1637; G06F 1/1681; G06F 1/1624; G06F 1/1647; H04M 1/02; H04M 1/022
See application file for complete search history.

(56) **References Cited**

U.S. PATENT DOCUMENTS

D335,287 S *	5/1993	Iino	D14/320
6,865,075 B2 *	3/2005	Oakley	G06F 1/1618
				345/173
D580,433 S *	11/2008	Chiang	D14/345
D599,792 S *	9/2009	Lin	D14/331
D650,380 S *	12/2011	Ballout	D14/331
D669,467 S *	10/2012	Ballout	D14/336
D697,508 S *	1/2014	Hsu	D14/345
D700,178 S *	2/2014	Ma	D14/331

D726,715 S *	4/2015	Sung	D14/331
D744,492 S *	12/2015	Lin	G06F 1/1632
				D14/440
D754,122 S *	4/2016	Oakley	D14/336
D758,377 S *	6/2016	Warren	D14/392
D768,624 S *	10/2016	Bae	D14/331
9,477,269 B2 *	10/2016	Morrison	G06F 1/1681
9,483,080 B2 *	11/2016	Kwong	G06F 1/1639
D776,114 S *	1/2017	Akana	D14/392
D798,299 S *	9/2017	Raken	D14/392

(Continued)

Primary Examiner — Katherine Glennon

(74) *Attorney, Agent, or Firm* — Schwegman Lundberg & Woessner, P.A.

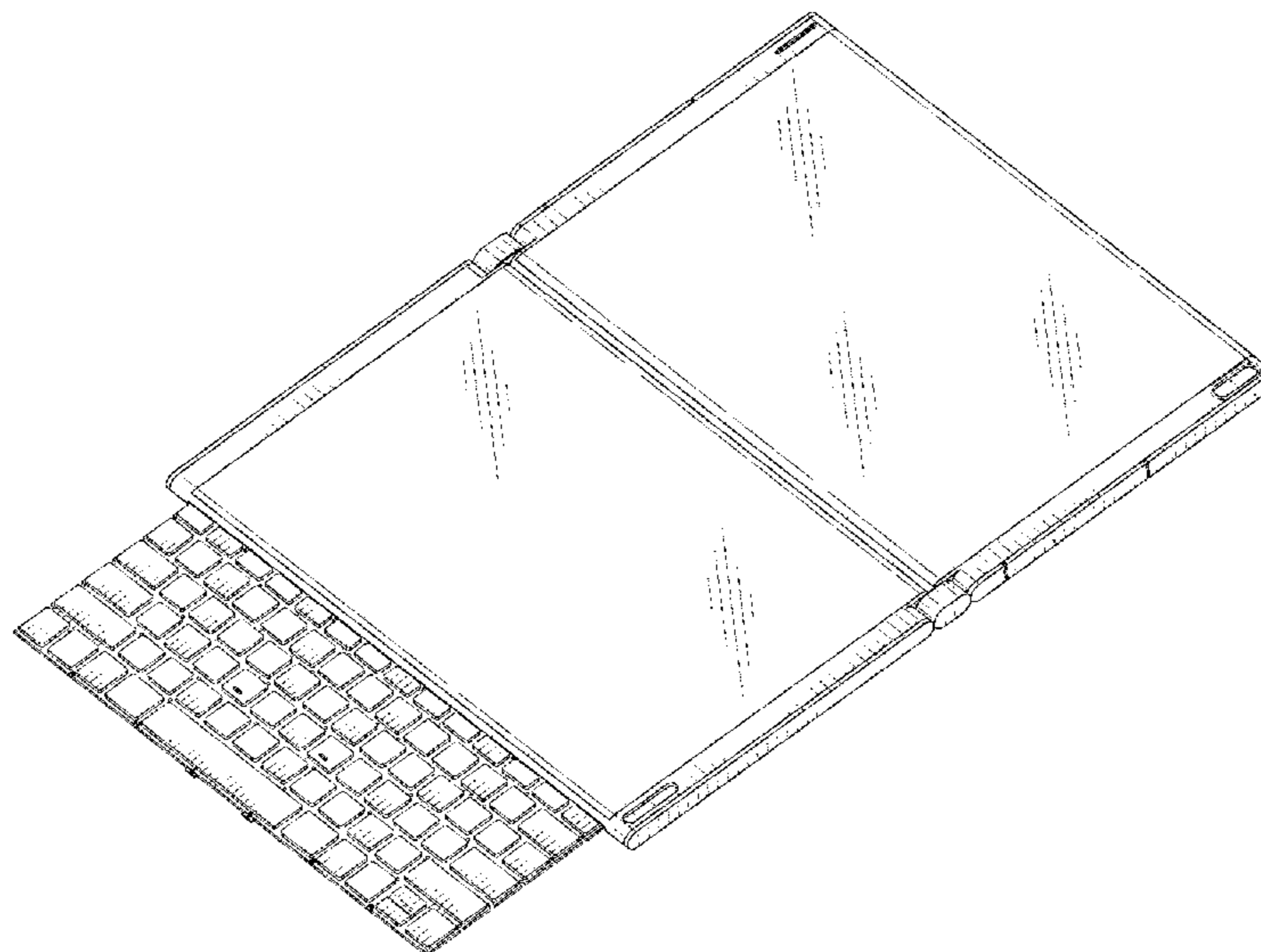
(57) **CLAIM**

The ornamental design for a dual display computer with a keyboard, as shown and described.

DESCRIPTION

FIG. 1 is a front view of a dual display computer with a keyboard, showing our new design, according to a first embodiment, with the keyboard shown in an operating configuration;
 FIG. 2 is a rear view thereof;
 FIG. 3 is a right side view thereof;
 FIG. 4 is a left side view thereof;
 FIG. 5 is a top view thereof;
 FIG. 6 is a bottom view thereof;
 FIG. 7 is a bottom-front-left perspective view thereof;
 FIG. 8 is a bottom-front-right perspective view thereof;
 FIG. 9 is a top-front-left perspective view thereof;
 FIG. 10 is a top-front-right perspective view thereof;
 FIG. 11 is a top-rear-left perspective view thereof; and,
 FIG. 12 is a bottom-rear-left perspective view thereof.
 The broken line showings of a logo (e.g., “intel”) are for the purpose of illustrating environmental structure, and the broken lines form no part of the claimed design.
 The shade lines show surface contour and not surface ornamentation.

1 Claim, 9 Drawing Sheets



(56)

References Cited

U.S. PATENT DOCUMENTS

9,857,849	B1 *	1/2018	Siddiqui	G06F 1/1616
10,558,245	B2 *	2/2020	Morrison	E05D 3/122
2013/0322004	A1 *	12/2013	Park	G06F 1/1637
				361/679.27
2014/0160654	A1 *	6/2014	Yoo	G06F 1/1681
				361/679.12
2015/0085433	A1 *	3/2015	Kim	G06F 1/1624
				361/679.01
2018/0032109	A1 *	2/2018	Maatta	E05D 5/02
2018/0049336	A1 *	2/2018	Manuel	E05F 3/20
2019/0212787	A1 *	7/2019	Subramaniam	G06F 1/1684
2020/0127384	A1 *	4/2020	Thakur	H01Q 13/10

* cited by examiner



FIG. 1

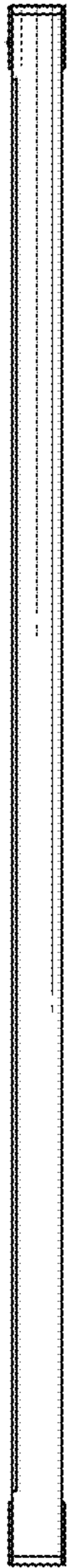


FIG. 2

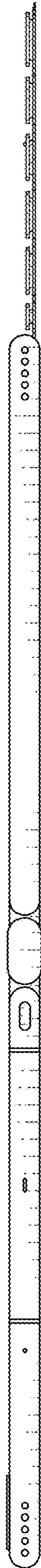


FIG. 3

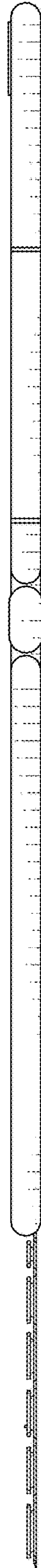


FIG. 4

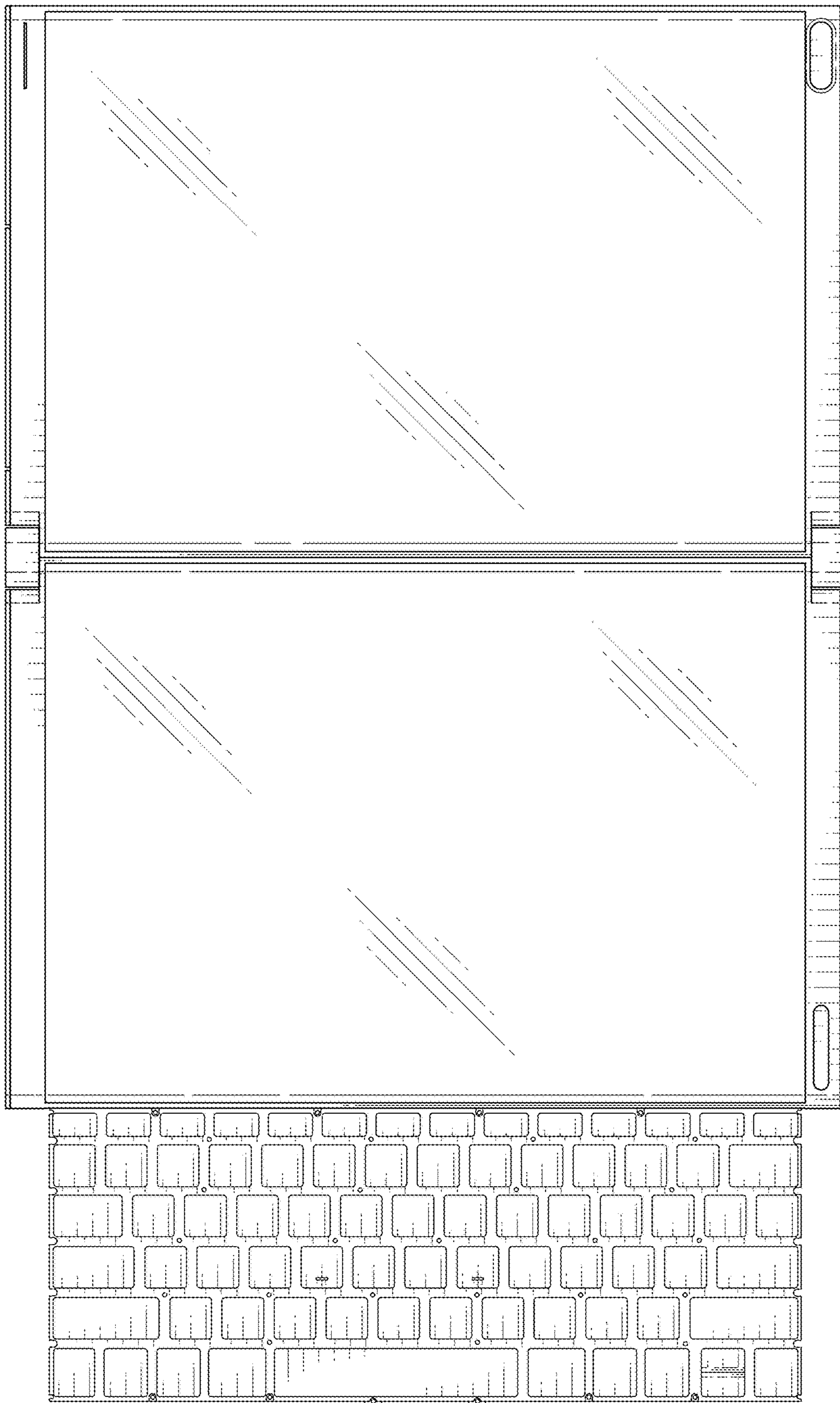


FIG. 5

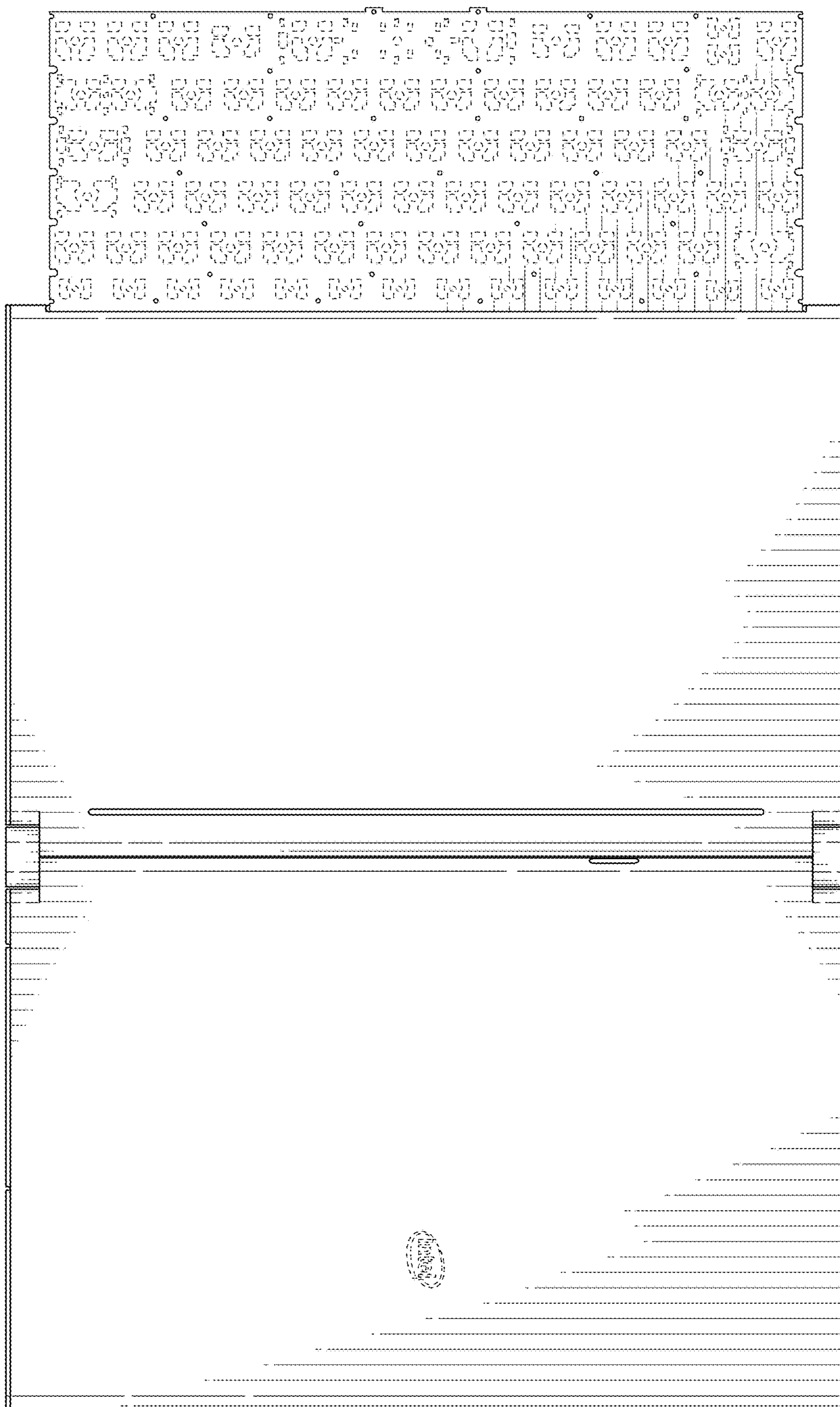


FIG. 6

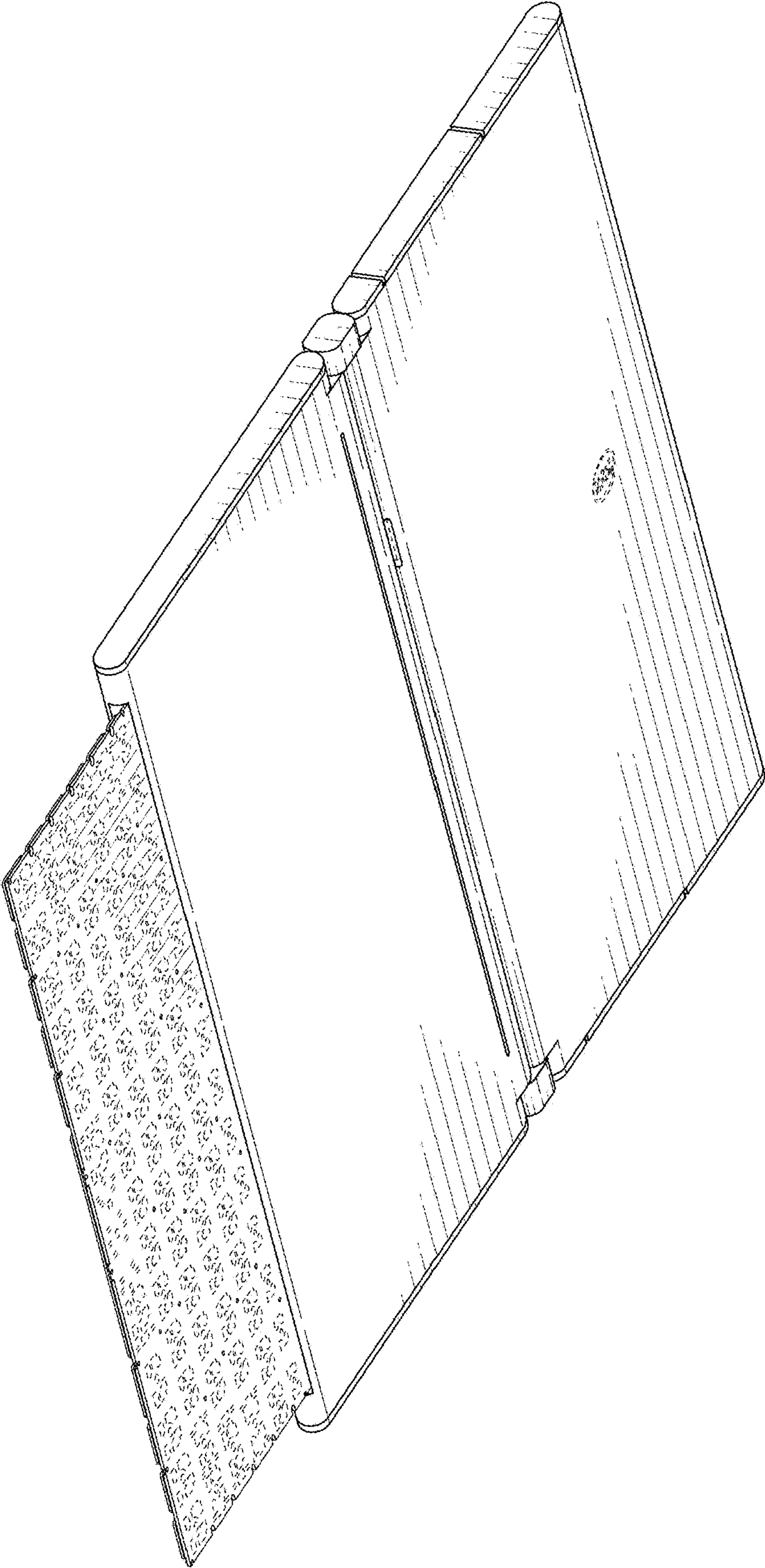


FIG. 7

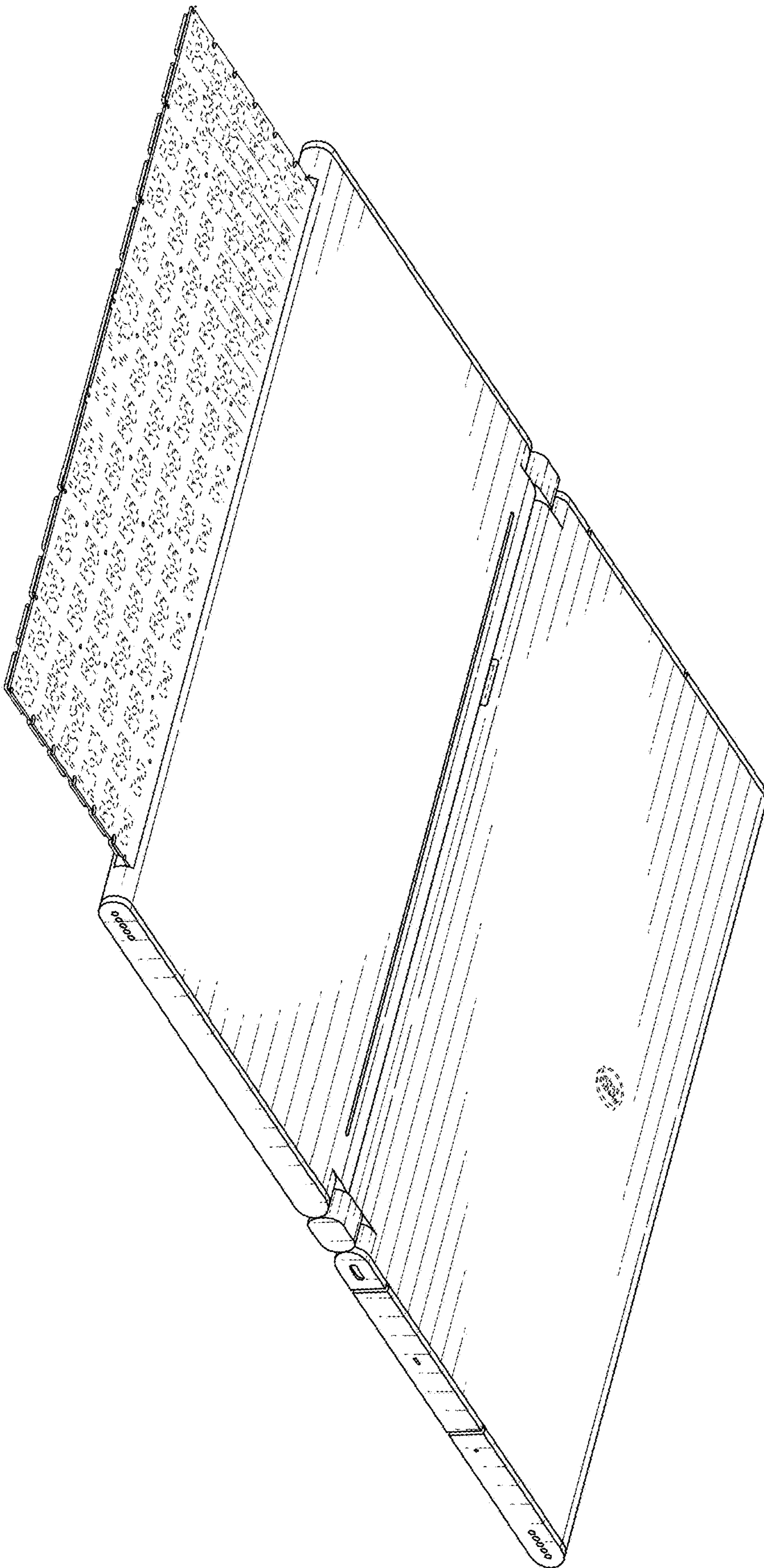


FIG. 8

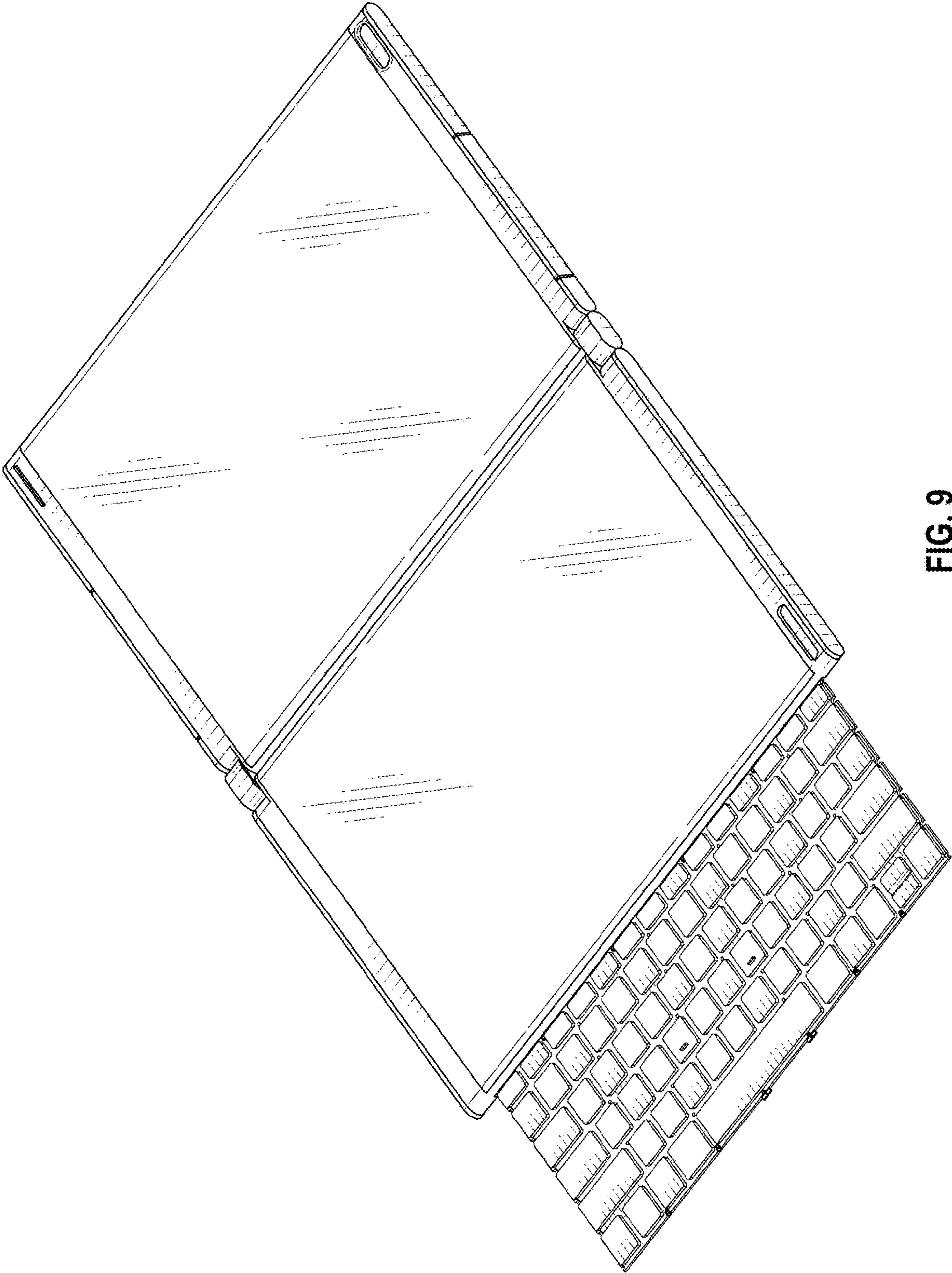


FIG. 9

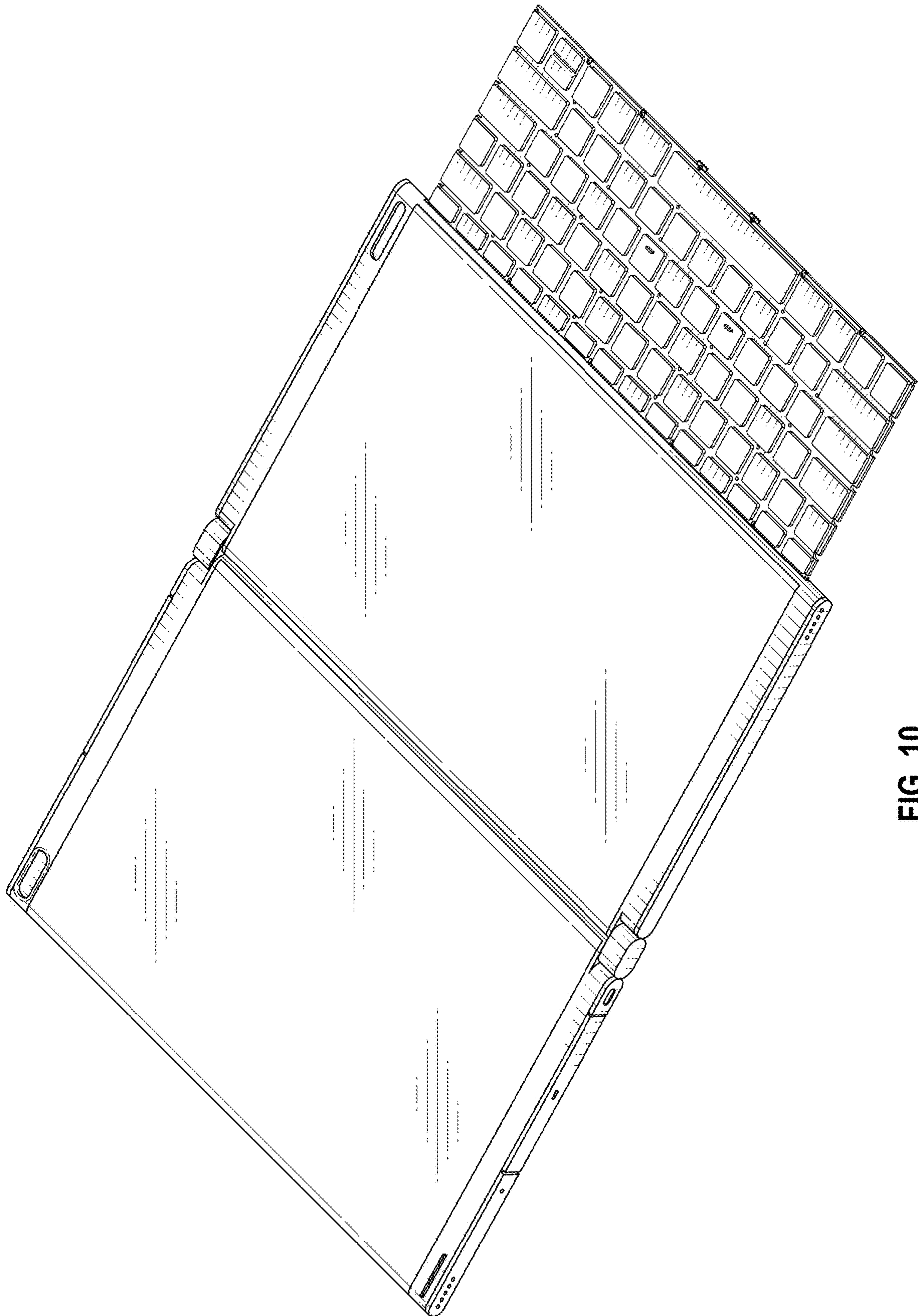


FIG. 10

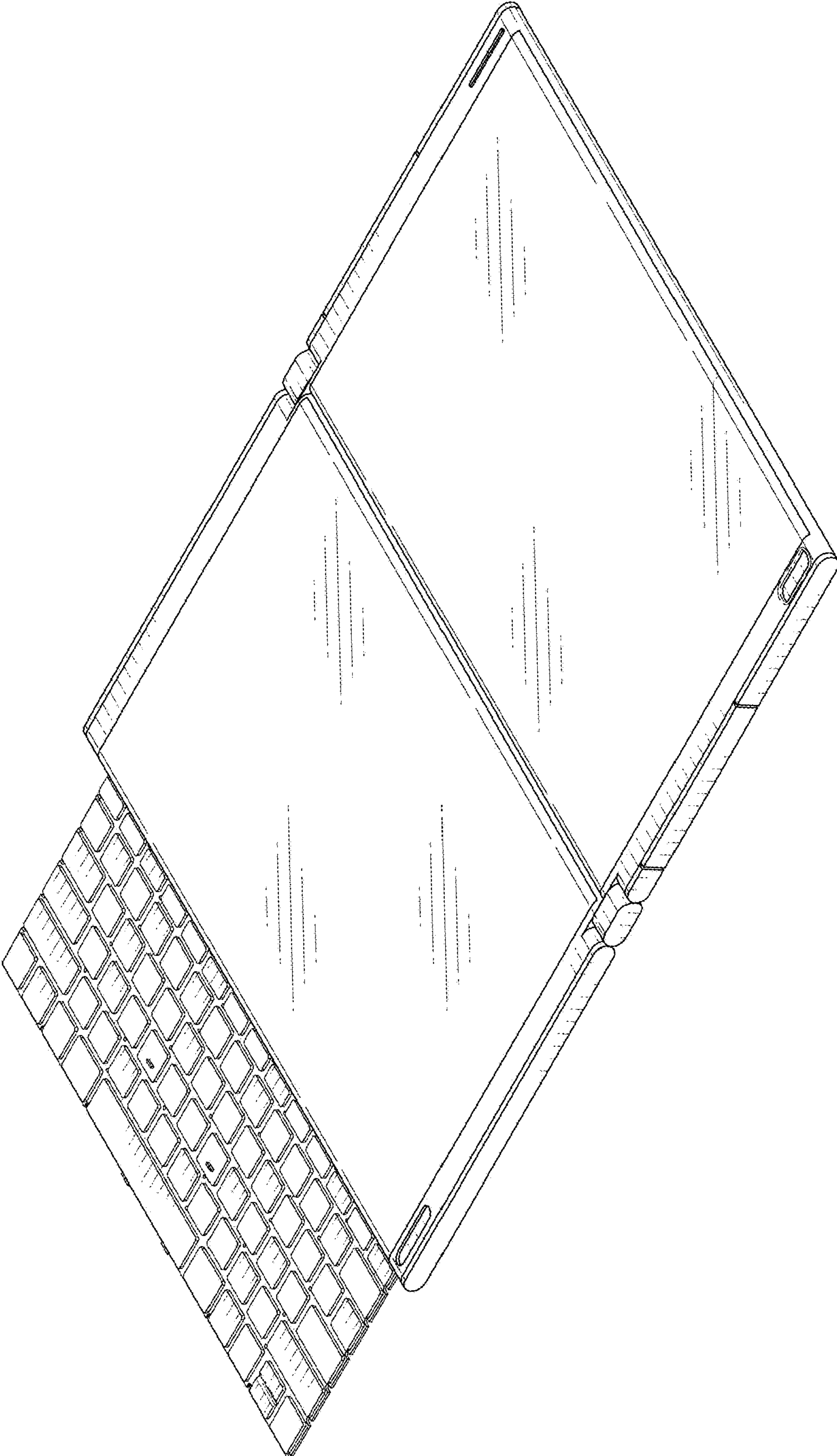


FIG. 11

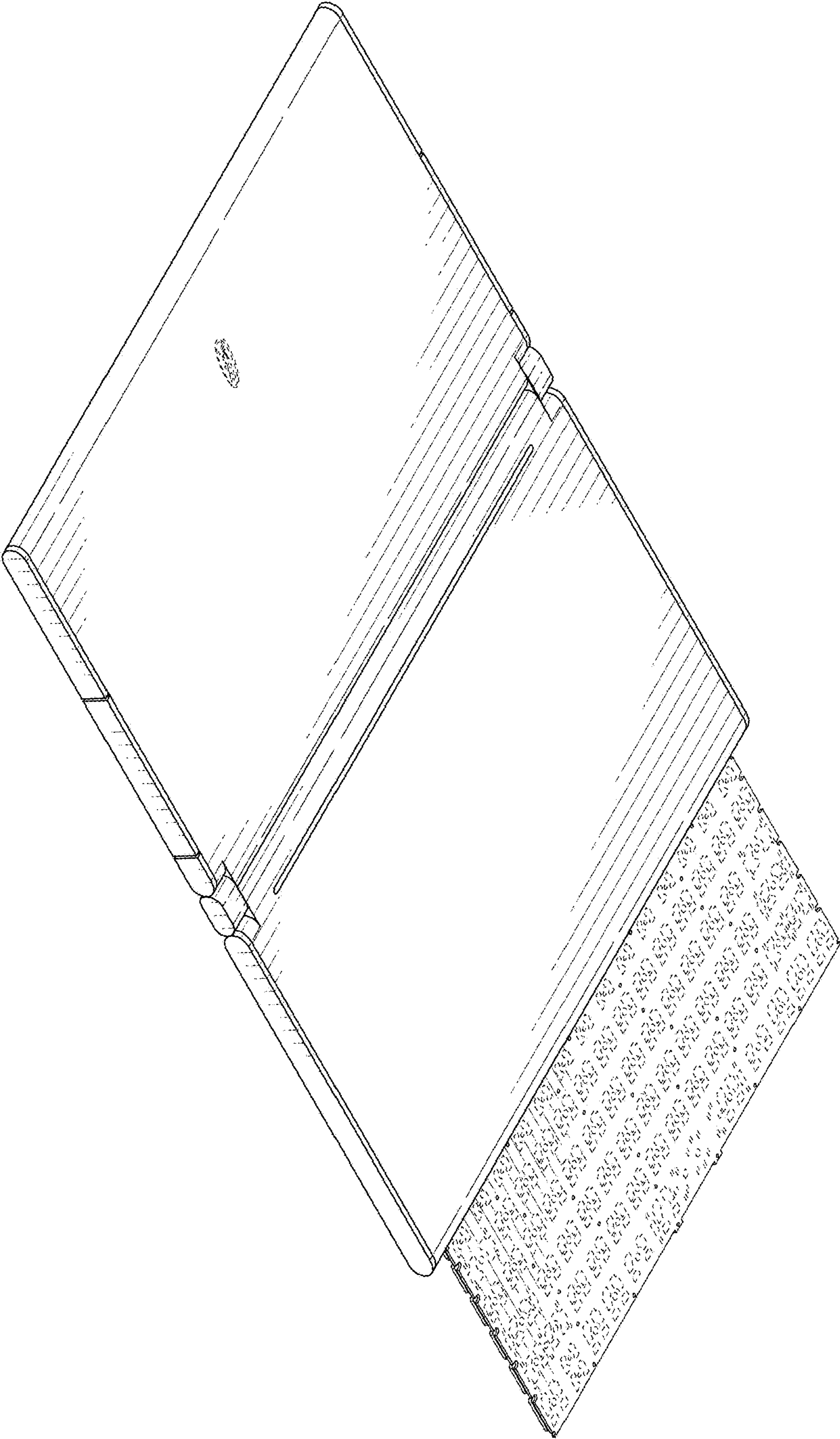


FIG. 12