



US00D912661S

(12) **United States Design Patent**
Goh et al.

(10) **Patent No.:** **US D912,661 S**
(45) **Date of Patent:** **** Mar. 9, 2021**

(54) **INFORMATION HANDLING SYSTEM**

D764,453 S * 8/2016 Ku D14/315
D769,239 S * 10/2016 Li D14/315
D770,440 S * 11/2016 Chou D14/315
D770,442 S * 11/2016 Tu D14/315

(71) Applicant: **Dell Products L.P.**, Round Rock, TX
(US)

(Continued)

(72) Inventors: **Eid-Beng Goh**, Taipei (TW); **Chih Chieh Chang**, Taipei (TW); **An-Chung Hsieh**, New Taipei (TW); **Chien-Cheng Chen**, Taipei (TW); **Kyu Sang Park**, Austin, TX (US)

OTHER PUBLICATIONS

HP, "HP Pavilion Laptops," downloaded from <https://store.hp.com/us/en/mlp/laptops/pavilion-344505-1> on Jun. 19, 2018, 4 pages.

(Continued)

(73) Assignee: **Dell Products L.P.**, Round Rock, TX
(US)

Primary Examiner — Katherine Glennon

(74) *Attorney, Agent, or Firm* — Zagorin Cave LLP;
Robert W. Holland

(**) Term: **15 Years**

(21) Appl. No.: **29/636,582**

(57) **CLAIM**

We claim the ornamental design for an information handling system, as shown and described.

(22) Filed: **Feb. 9, 2018**

(51) **LOC (13) Cl.** **14-02**

(52) **U.S. Cl.**
USPC **D14/315**

DESCRIPTION

(58) **Field of Classification Search**
USPC D14/315–340, 390, 392, 455–457
CPC G06F 1/1616; G06F 1/1618; G06F 1/162;
G06F 1/1624; G06F 1/1662; G06F
1/1667; H04M 1/0235; H04M 1/0266;
H05K 5/0243
See application file for complete search history.

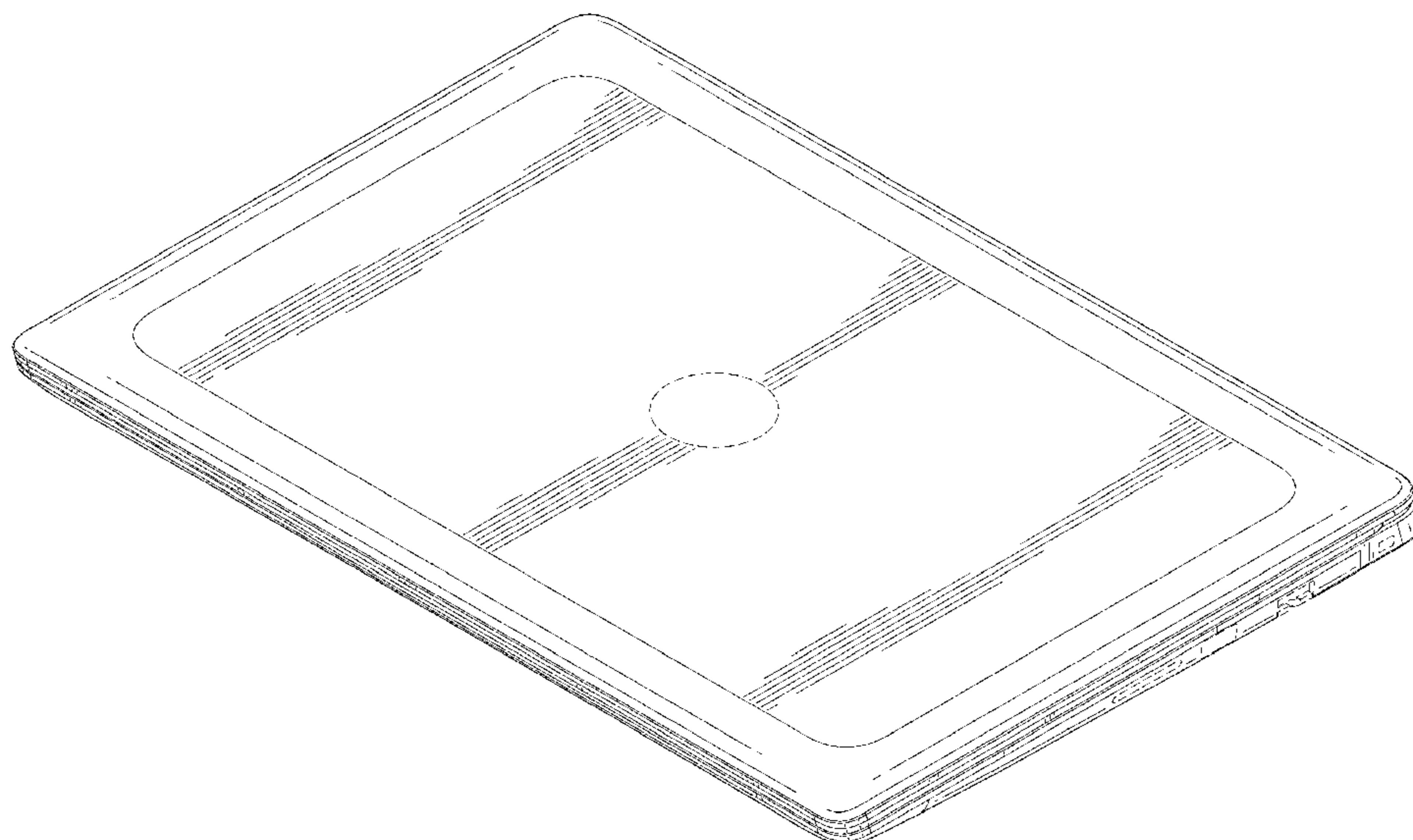
FIG. 1 is a front perspective view of the information handling system in a closed position comprising the present invention;
FIG. 2 is a front view thereof;
FIG. 3 is a rear view thereof;
FIG. 4 is a right side view thereof;
FIG. 5 is a left side view thereof;
FIG. 6 is a top view thereof;
FIG. 7 is a bottom view thereof;
FIG. 8 is a front perspective view thereof in an open position;
FIG. 9 is a cross-sectional side view at the location indicated in FIG. 6; and,
FIG. 10 is a cross-sectional side view at the location indicated in FIG. 6.
Broken lines shown in the drawings illustrate portions of the information handling system and form no part of the claimed design.

(56) **References Cited**

U.S. PATENT DOCUMENTS

D624,911 S * 10/2010 Lee D14/315
D671,539 S * 11/2012 Kim D14/318
D678,269 S * 3/2013 Lyles D14/315
D691,603 S * 10/2013 Leonard D14/316
D725,648 S * 3/2015 Chang D14/327
D732,523 S * 6/2015 Riddiford D14/315
D756,350 S * 5/2016 Sun D14/315
D756,351 S * 5/2016 Sun D14/315
D758,360 S * 6/2016 Lyles D14/315
D762,638 S * 8/2016 Chang D14/315

1 Claim, 6 Drawing Sheets



(56)

References Cited

U.S. PATENT DOCUMENTS

D780,172	S *	2/2017	Chi	D14/315
D781,282	S *	3/2017	Hsu	D14/315
D795,245	S *	8/2017	Seoc	D14/315
D807,342	S *	1/2018	Chang	D14/315
D807,343	S *	1/2018	Goh	D14/315
D807,344	S *	1/2018	Sun	D14/315
D810,070	S *	2/2018	Wang	D14/318
D810,071	S *	2/2018	Hishiki	D14/318
D813,861	S	3/2018	Goh		
D880,473	S *	4/2020	Moon	D14/327
2015/0007416	A1 *	1/2015	Chen	G06F 1/1681 16/386
2015/0316959	A1 *	11/2015	Senatori	G06F 1/1618 345/169

OTHER PUBLICATIONS

Lenova US, IdeaPad 520 (15"), downloaded from [https://www3.lenova.com/us/en/laptops/ideapad/ideapad-500-series/Ideapad-520-15-Intel/p/881P5000868?catargetid=120030930000049409&CAPC1 . . .](https://www3.lenova.com/us/en/laptops/ideapad/ideapad-500-series/Ideapad-520-15-Intel/p/881P5000868?catargetid=120030930000049409&CAPC1...), Jun. 19, 2018, 10 pages.
 Asus, "VivoBook Series," downloaded from <https://store.asus.com/us/category/A18490>, Jun. 19, 2018, 28 pages.

* cited by examiner

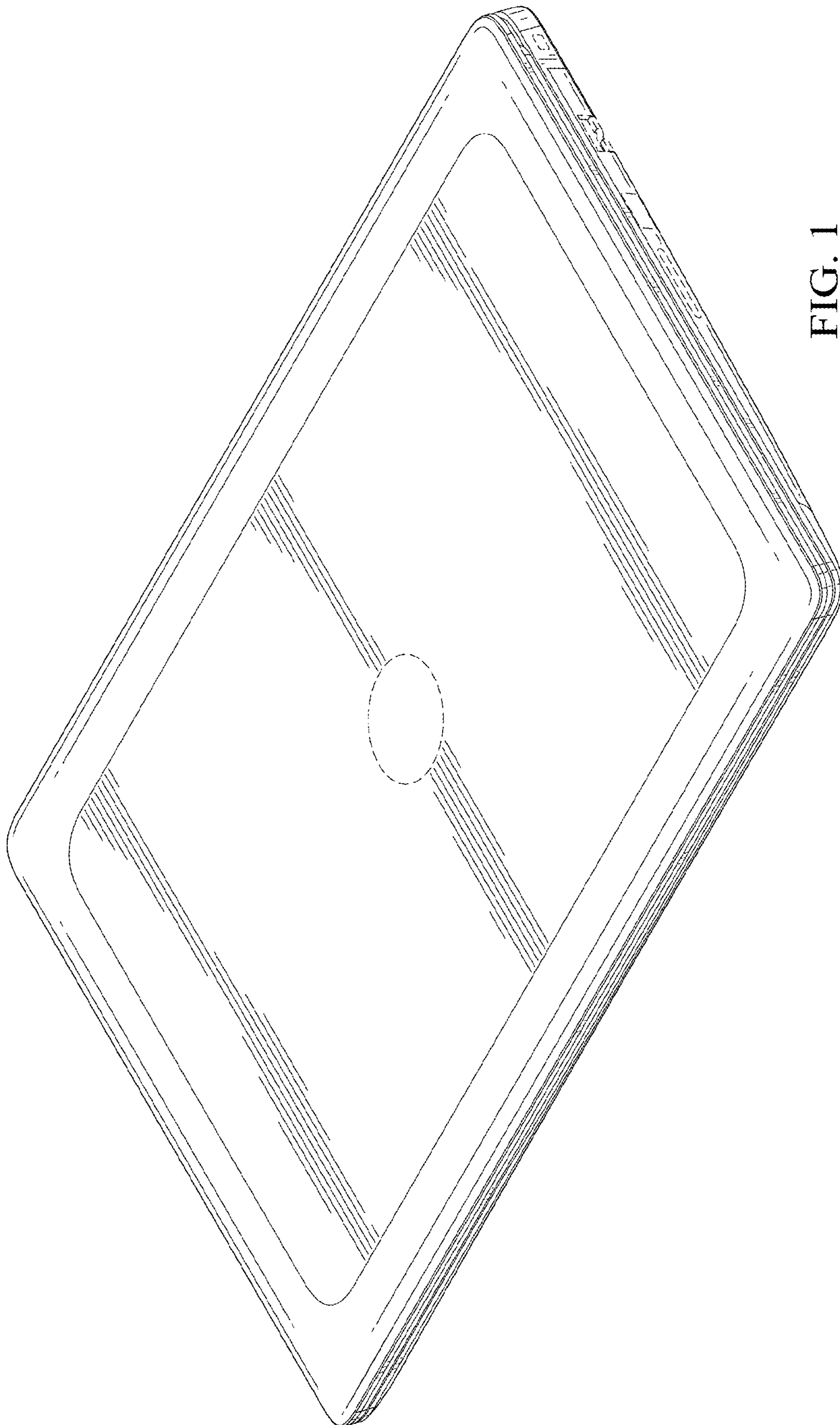


FIG. 1

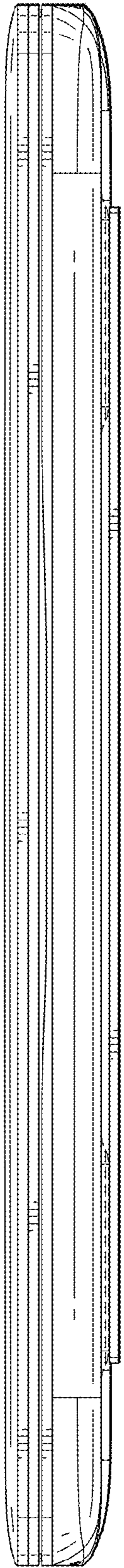


FIG. 2

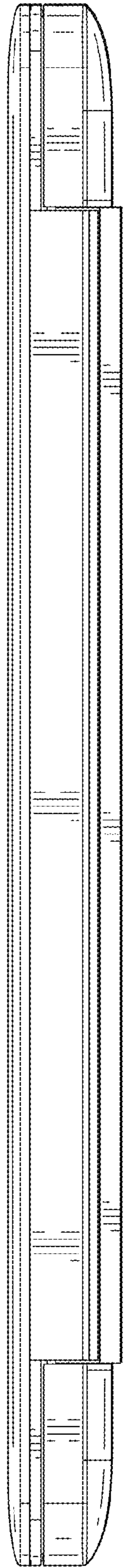


FIG. 3

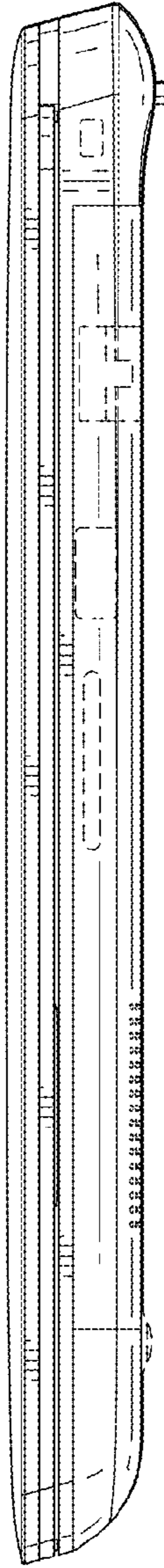


FIG. 4

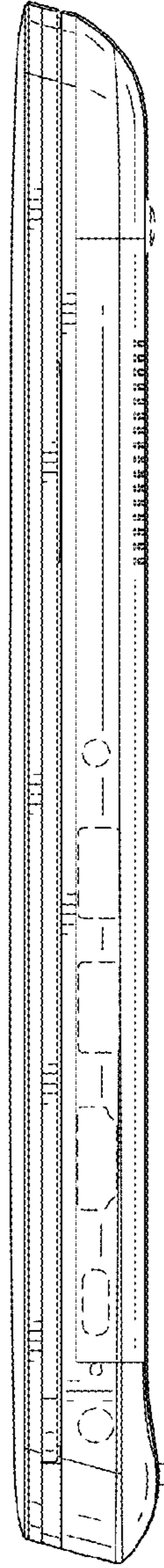


FIG. 5

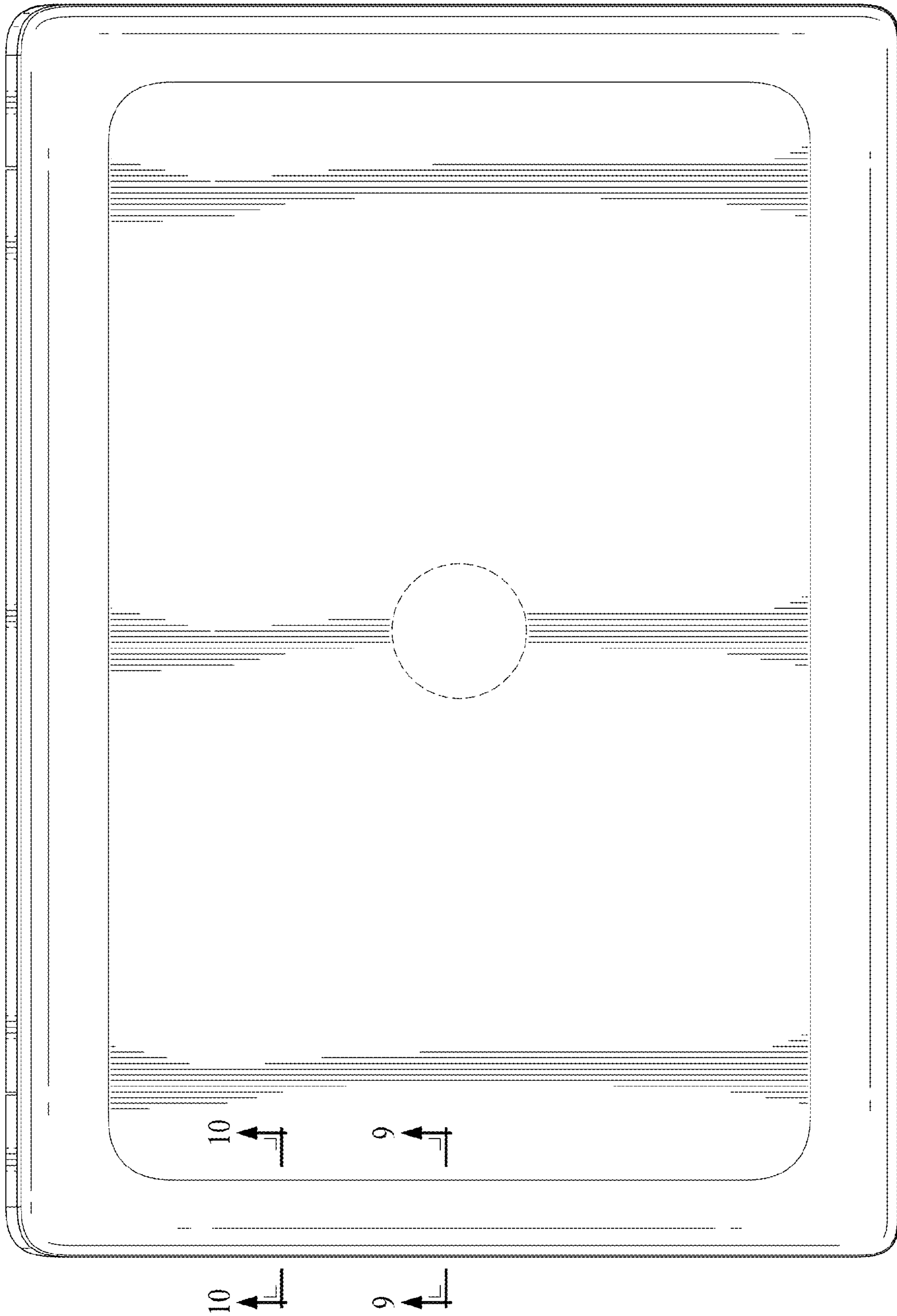


FIG. 6

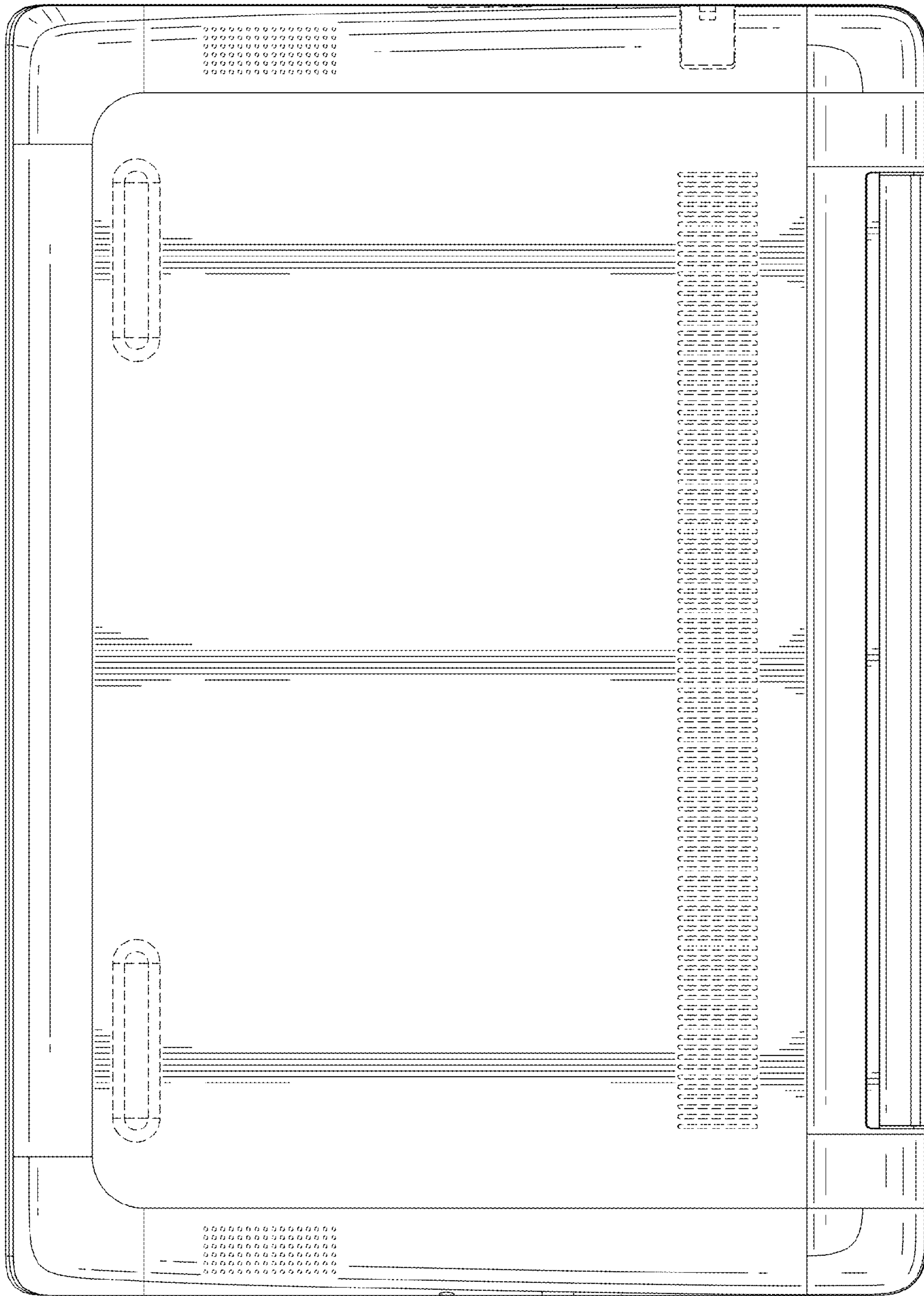


FIG. 7

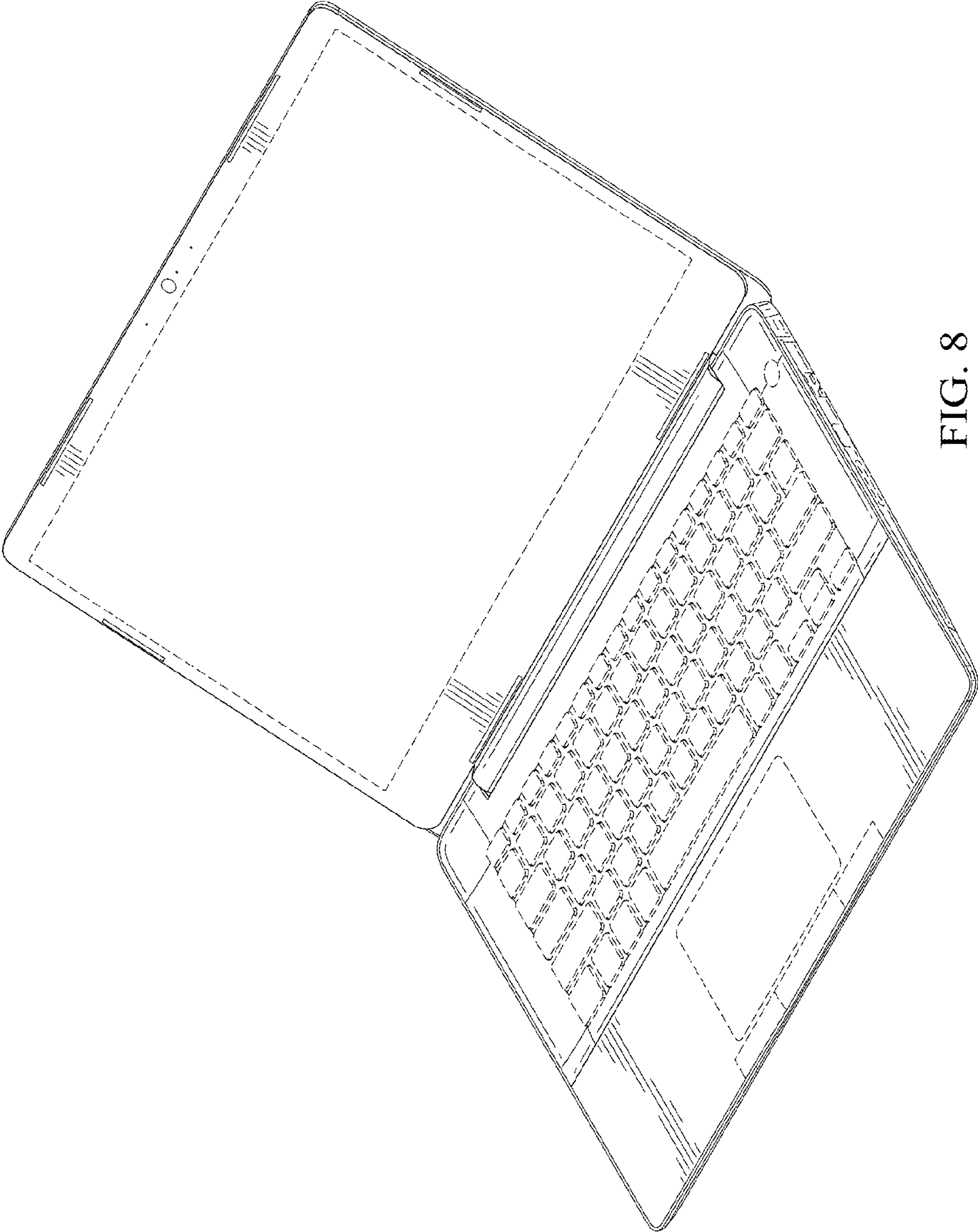


FIG. 8

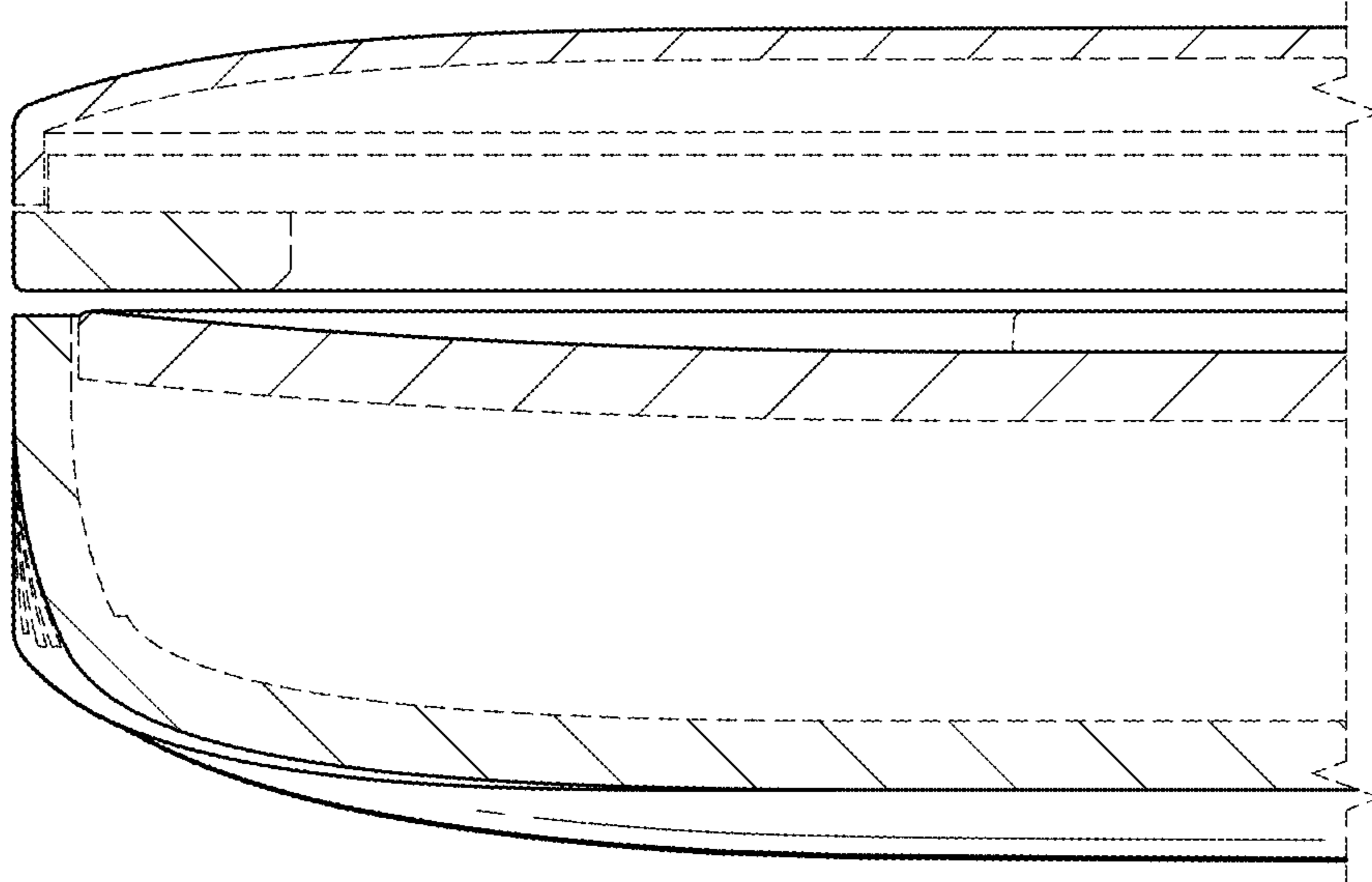


FIG. 9

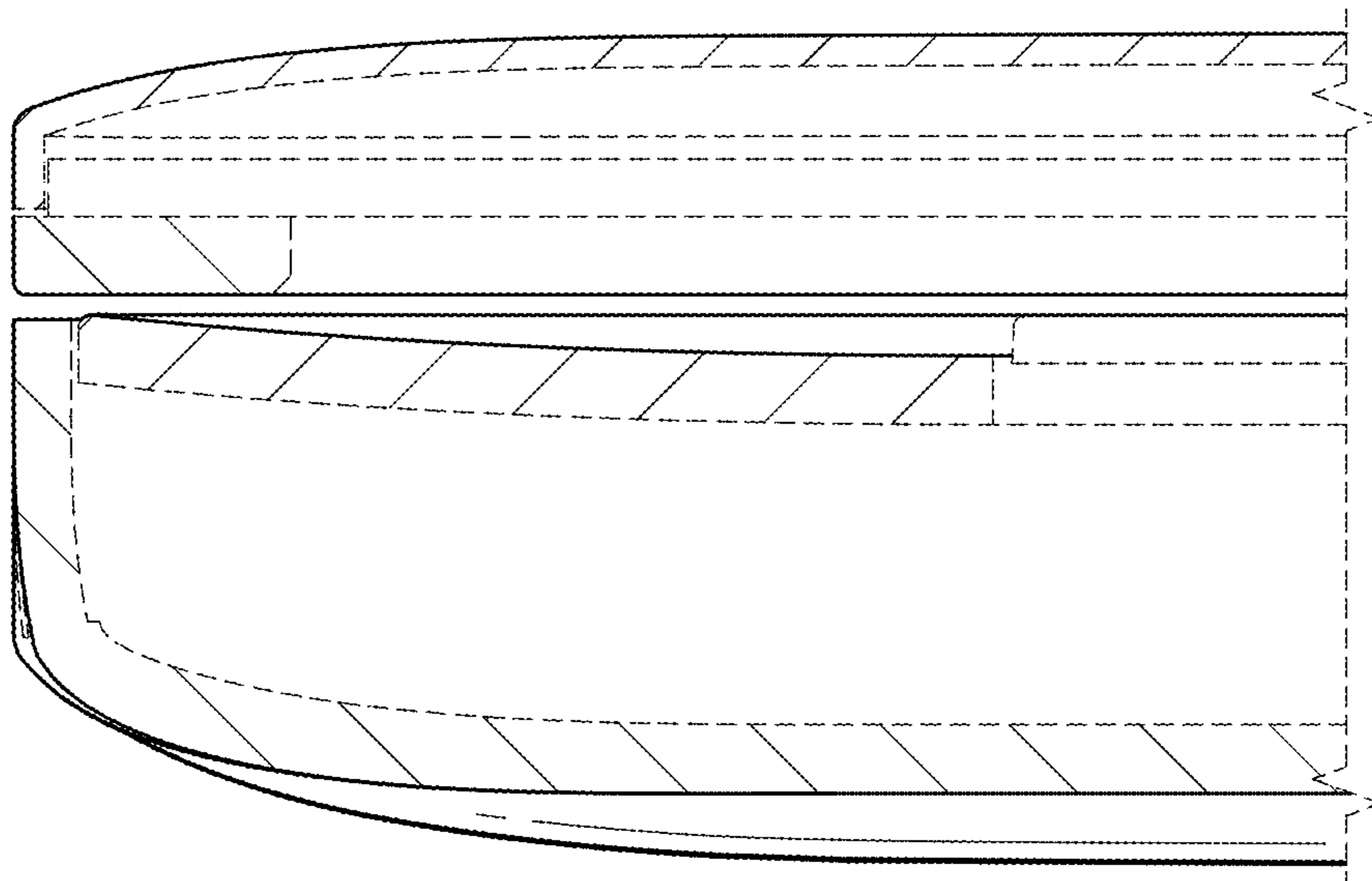


FIG. 10