



US00D912657S

(12) **United States Design Patent**  
**Moser**

(10) **Patent No.:** **US D912,657 S**  
(45) **Date of Patent:** **\*\* Mar. 9, 2021**

(54) **MULTI-SCREEN PORTABLE COMPUTER**

(71) Applicant: **George Gerhard Moser**, Santa Clara, CA (US)

(72) Inventor: **George Gerhard Moser**, Santa Clara, CA (US)

(\*\*) Term: **15 Years**

(21) Appl. No.: **29/627,320**

(22) Filed: **Nov. 26, 2017**

(51) **LOC (13) Cl.** ..... **14-02**

(52) **U.S. Cl.**  
USPC ..... **D14/315**

(58) **Field of Classification Search**  
USPC ..... D14/315-327, 333-335, 373-376, 390, D14/392, 394, 455-457  
CPC ..... G06F 1/1616; G06F 1/1618; G06F 1/162; G06F 1/1624; H05K 5/0234; H05K 5/0017; H05K 5/0226  
See application file for complete search history.

(56) **References Cited**

**U.S. PATENT DOCUMENTS**

D310,350 S *	9/1990	Horie	.....	D14/334
D375,116 S *	10/1996	Chiba	.....	D14/334
6,392,871 B1 *	5/2002	Yanase	.....	G06F 1/162 345/905
7,724,328 B2 *	5/2010	Kim	.....	G02F 1/133555 349/113
D625,725 S *	10/2010	Mugica	.....	D14/318
8,264,829 B2 *	9/2012	Moser	.....	G06F 1/1616 345/163
2007/0026826 A1 *	2/2007	Wilson	.....	G06K 7/10237 455/130
2007/0007591 A1	4/2007	Cheon et al.		
2008/0062625 A1 *	3/2008	Batio	.....	G06F 1/1615 361/679.29
2008/0072801 A1 *	3/2008	Korber	.....	A47B 21/0073 108/7
2009/0003352 A1	2/2009	Skillman et al.		

2009/0298557 A1 *	12/2009	Huang	.....	H04M 1/0266 455/575.1
2011/0216483 A1 *	9/2011	Vesely	.....	B60N 3/004 361/679.01
2012/0274565 A1 *	11/2012	Moser	.....	H06F 1/1616 345/168
2013/0044415 A1 *	2/2013	Peng	.....	G06F 1/1616 361/679.01

(Continued)

**FOREIGN PATENT DOCUMENTS**

WO WO2012024337 A1 2/2012

**OTHER PUBLICATIONS**

PCT Search Report, PCT Appln PCT/US11/47985. dated Jan. 5, 2012, 13 pages.

*Primary Examiner* — Katherine Glennon  
(74) *Attorney, Agent, or Firm* — Brad Bertoglio; Intelink Law Group P.C.

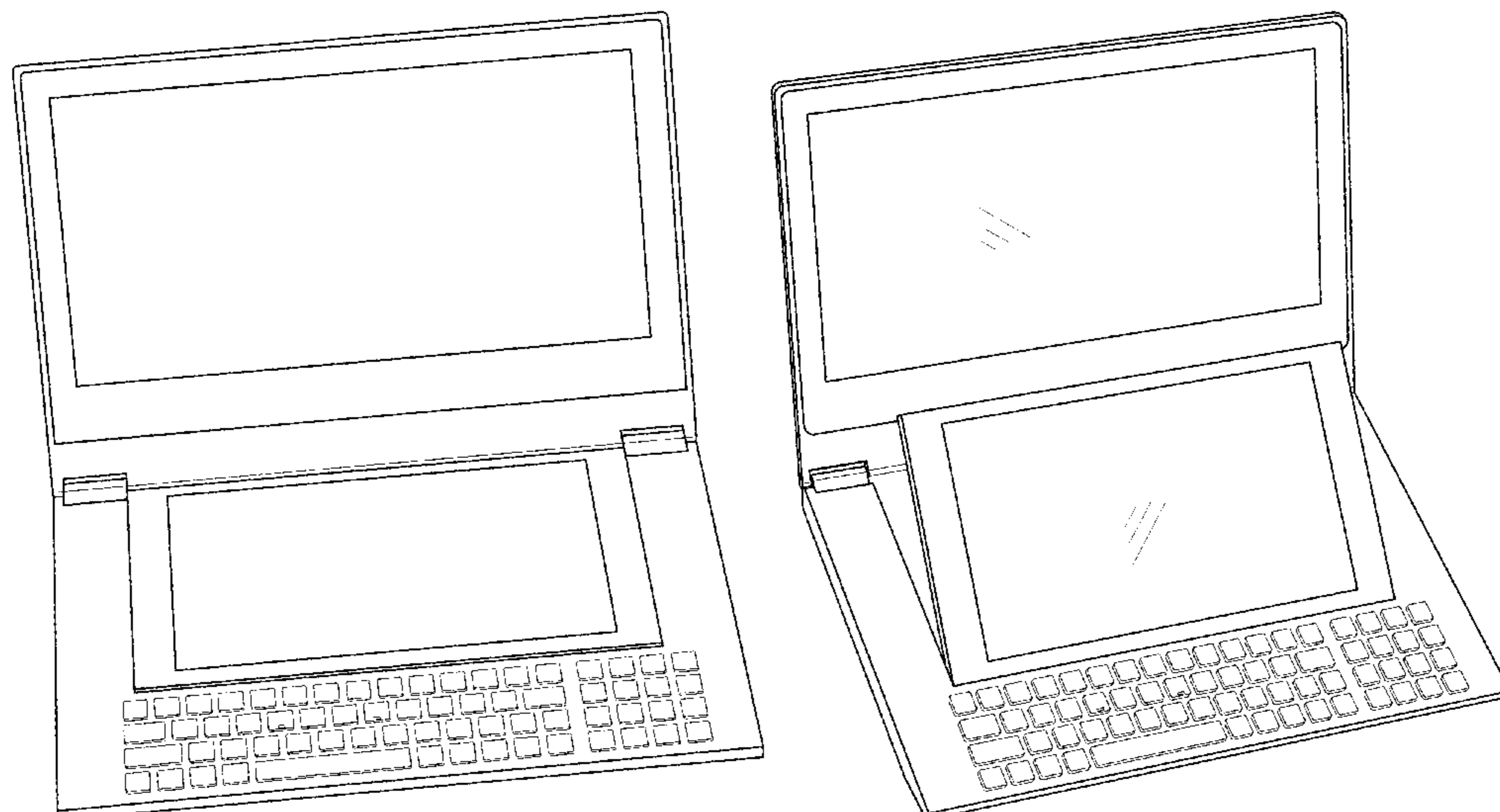
(57) **CLAIM**

The ornamental design for a multi-screen portable computer, as shown and described.

**DESCRIPTION**

FIG. 1 is a front perspective view of a multi-screen portable computer showing the new design, with a second screen in a non-deployed position;  
FIG. 2 is a left-shifted perspective view thereof, with the second screen in a deployed position;  
FIG. 3 is a left side perspective view thereof, with the second screen in a deployed position;  
FIG. 4 is a rear perspective view thereof, with the second screen in a deployed position;  
FIG. 5 is a right side perspective view thereof, with the second screen in a deployed position; and,  
FIG. 6 is a left side elevation view thereof, with the second screen in a deployed position.

**1 Claim, 6 Drawing Sheets**



(56)

**References Cited**

U.S. PATENT DOCUMENTS

2014/0139990 A1\* 5/2014 Moser ..... G06F 1/1616  
361/679.11  
2018/0210504 A1\* 7/2018 Moser ..... G06F 1/1649

\* cited by examiner

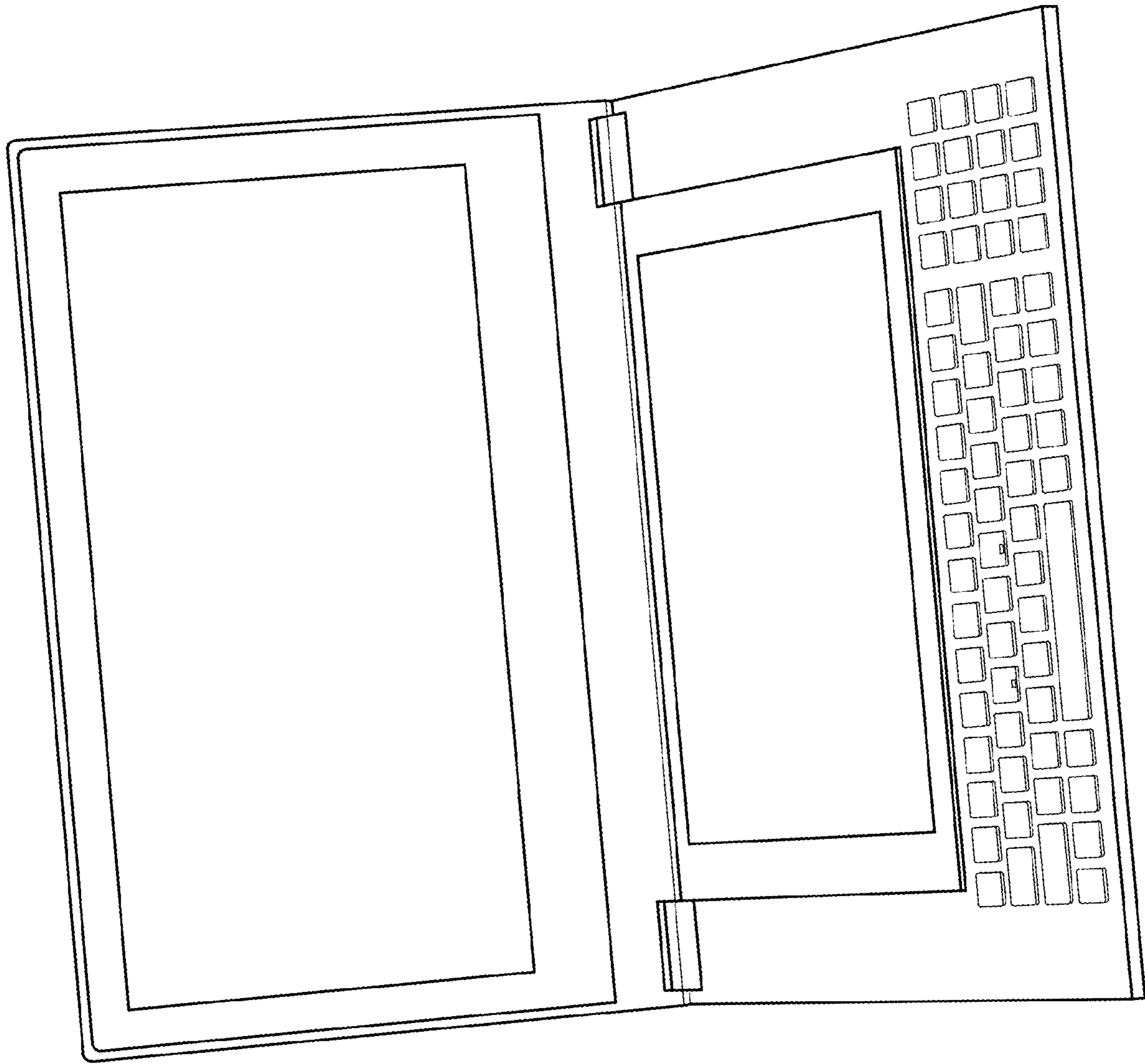


FIG. 1

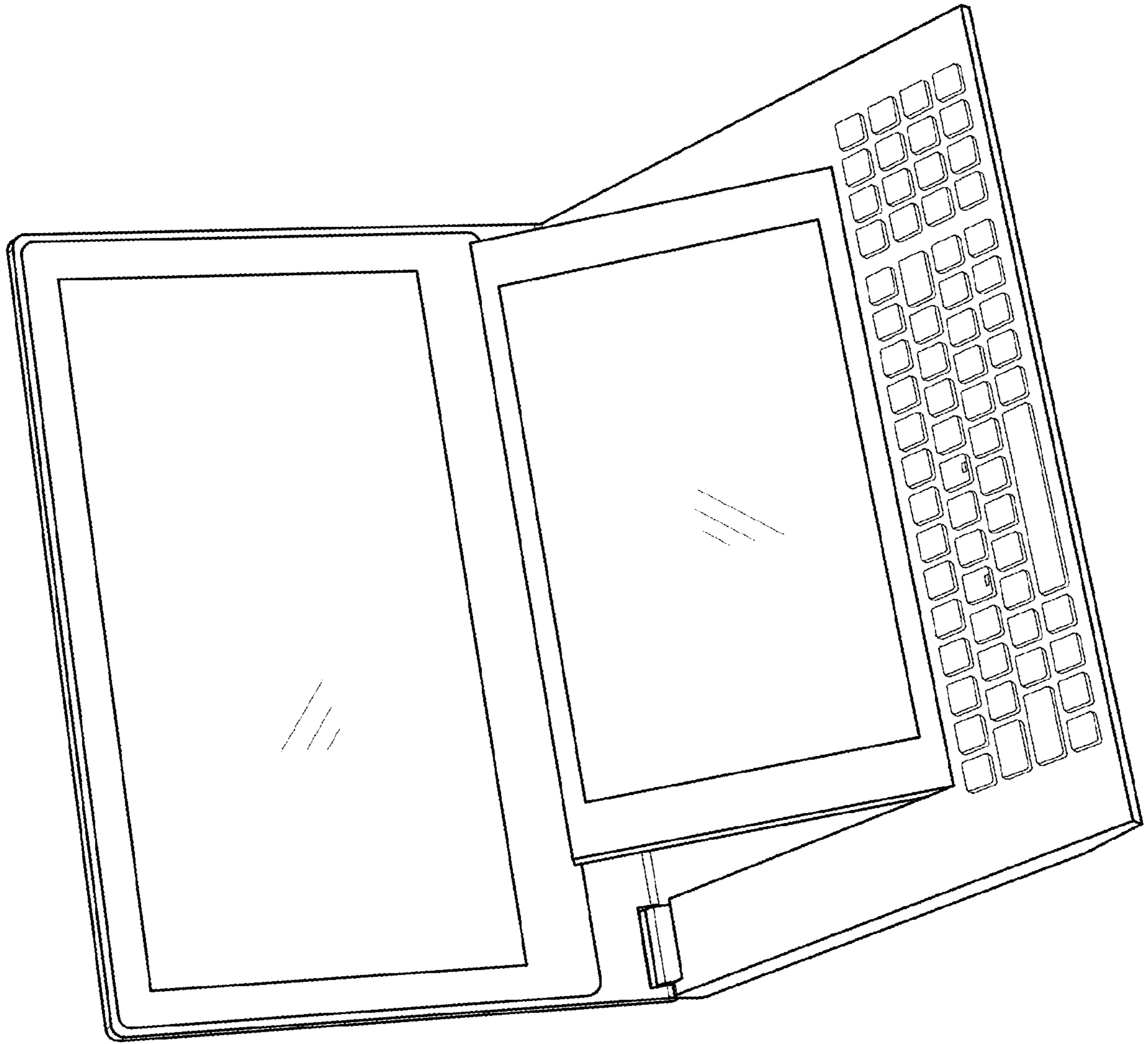


FIG. 2

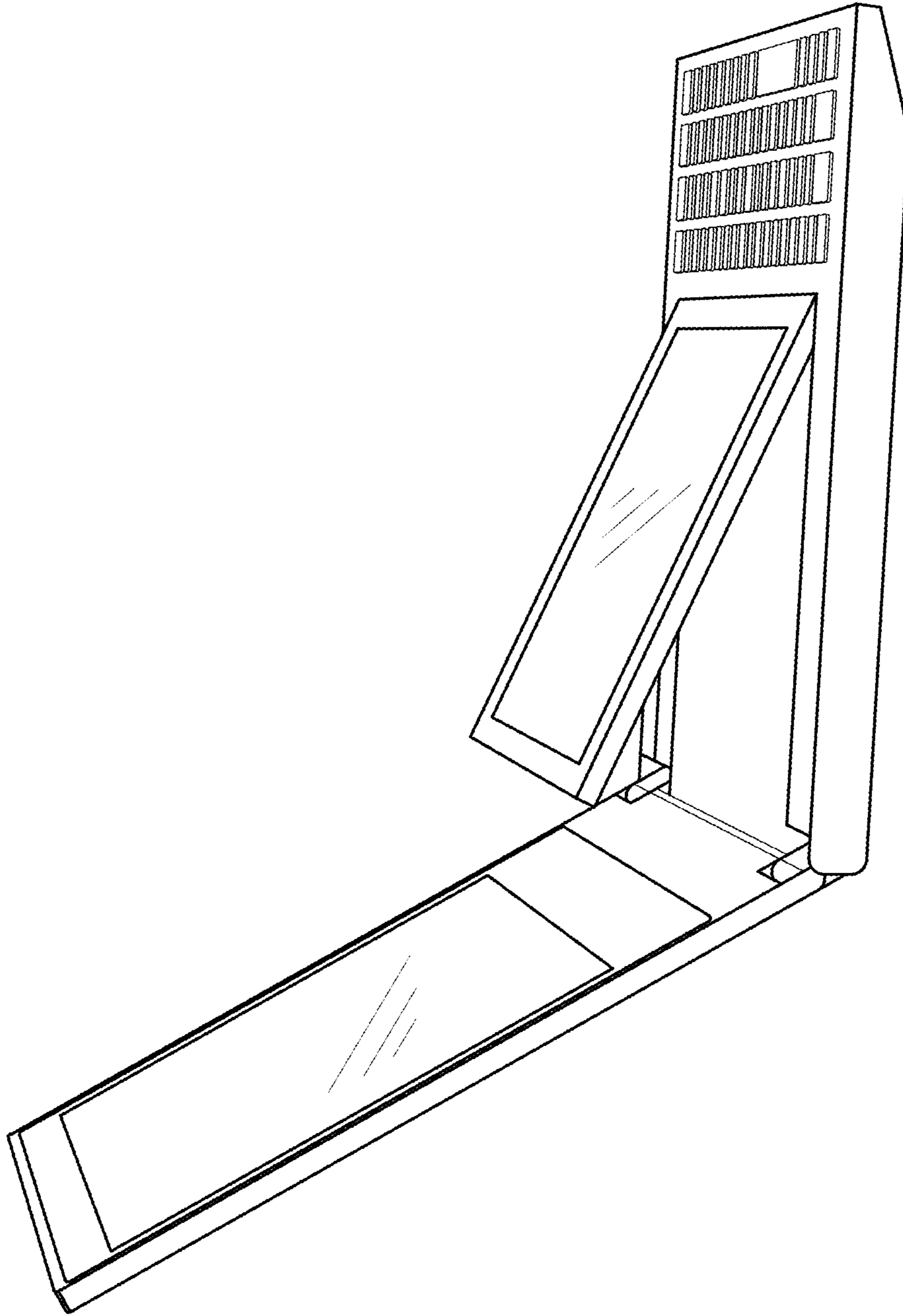


FIG. 3

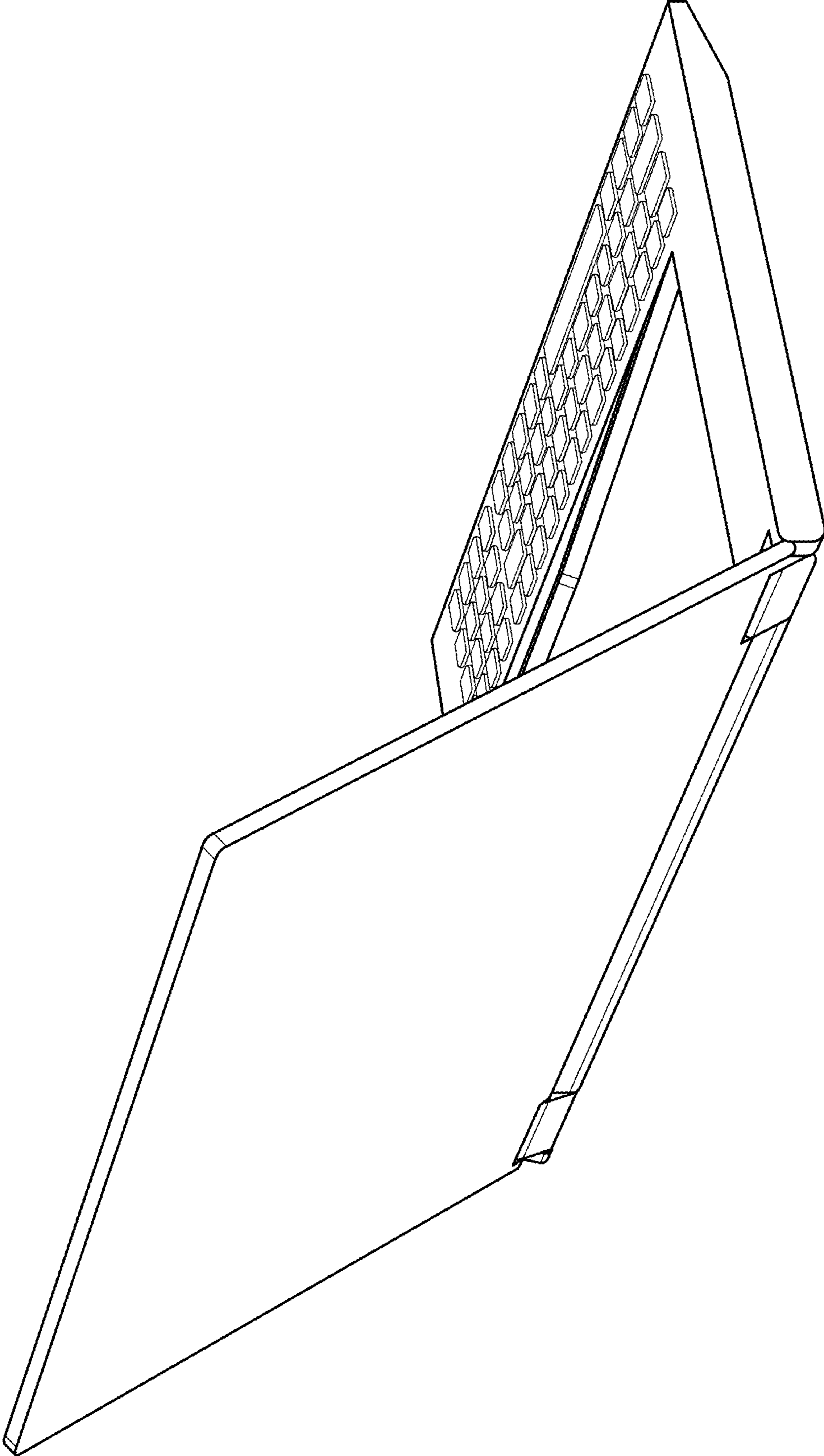


FIG. 4

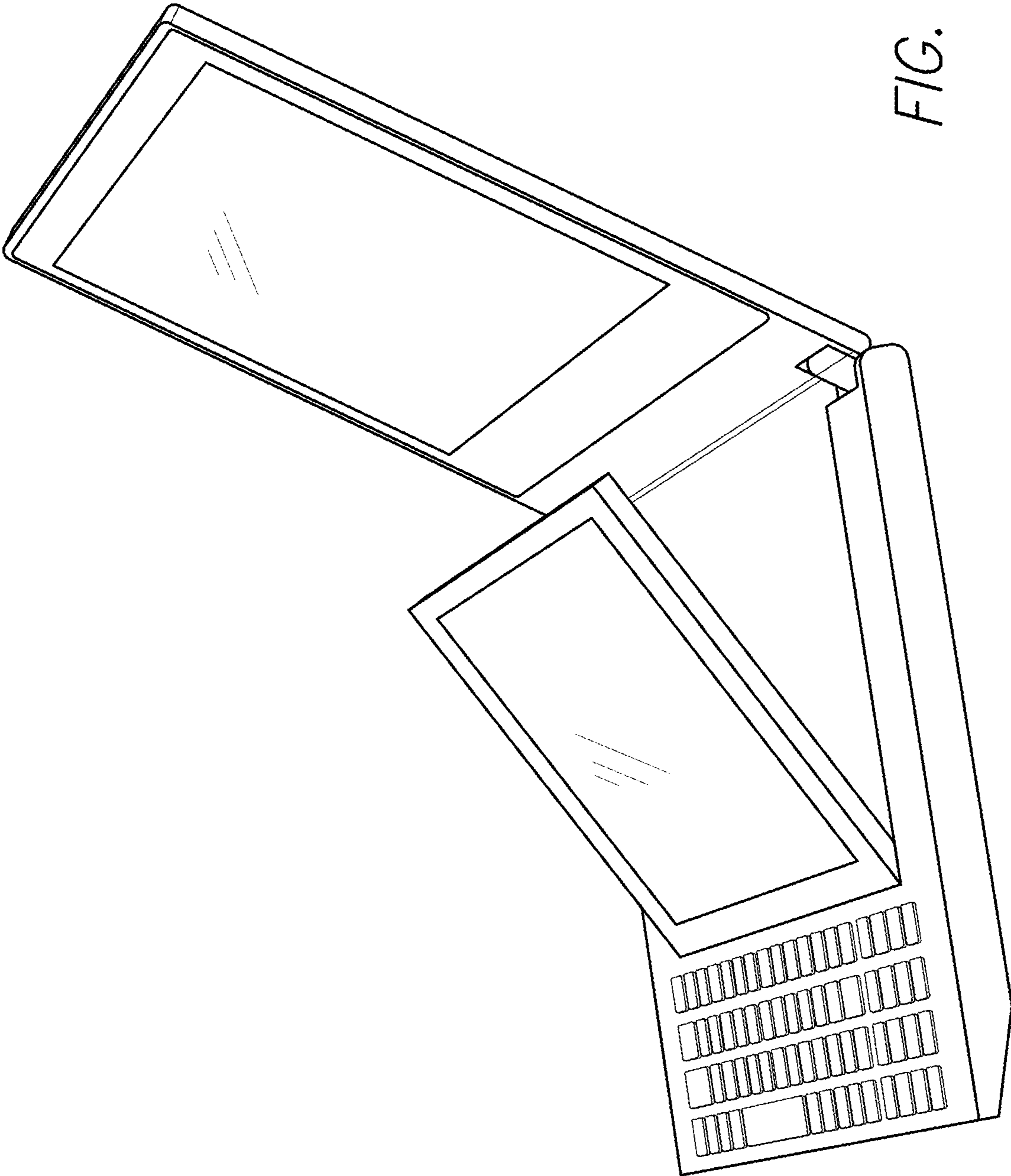


FIG. 5

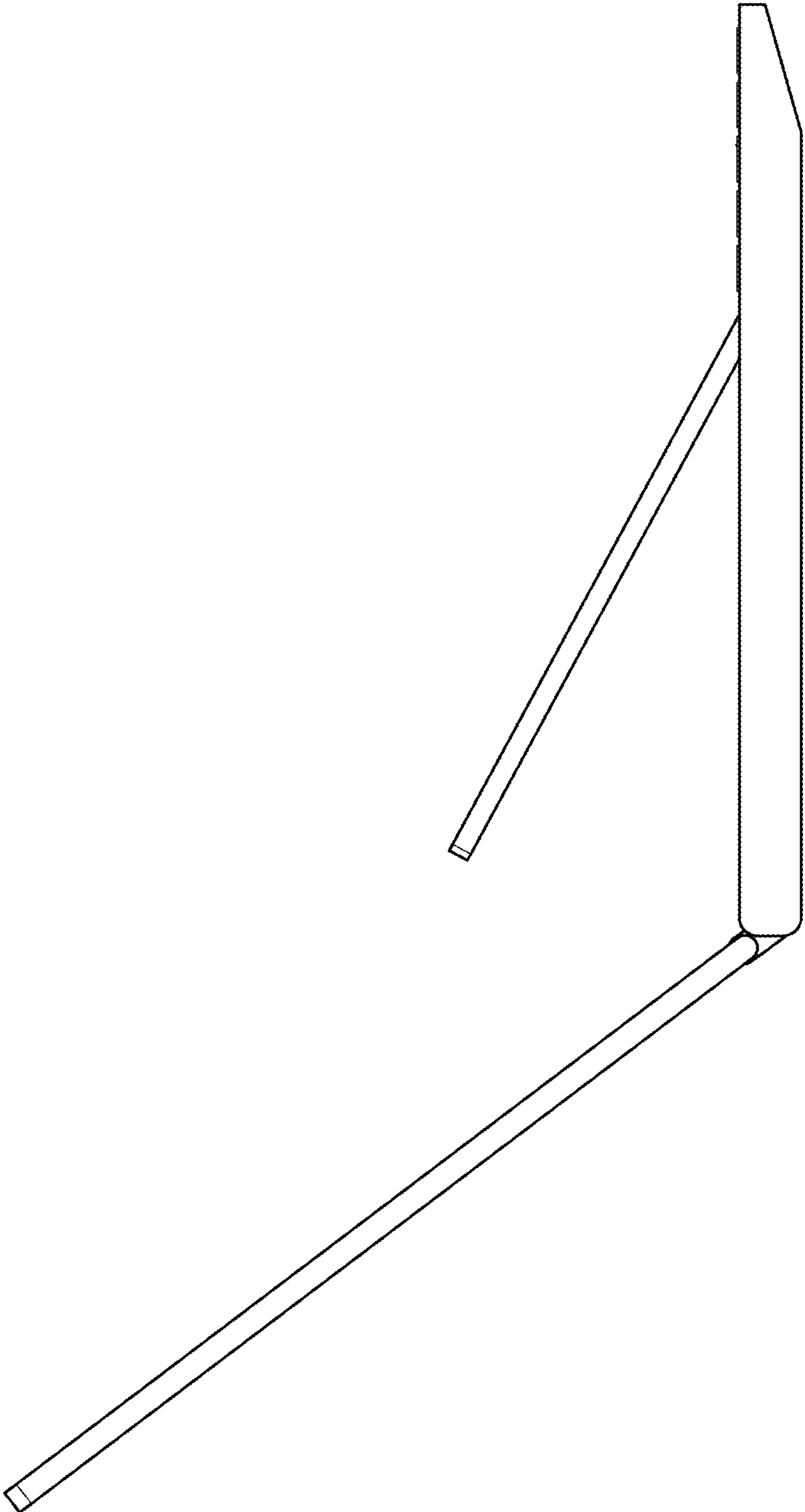


FIG. 6