



US00D912656S

(12) **United States Design Patent** (10) **Patent No.:** **US D912,656 S**
Hwang et al. (45) **Date of Patent:** **** Mar. 9, 2021**

(54) **DESKTOP COMPUTER**
(71) Applicant: **LG ELECTRONICS INC., Seoul (KR)**
(72) Inventors: **Bodeung Hwang, Seoul (KR); Nari Lee, Seoul (KR); Daihyung Ryu, Seoul (KR)**
(73) Assignee: **LG ELECTRONICS INC., Seoul (KR)**
(**) Term: **15 Years**
(21) Appl. No.: **35/506,912**
(22) Filed: **Dec. 10, 2018**
(80) **Hague Agreement Data**
Int. Filing Date: **Dec. 10, 2018**
Int. Reg. No.: **DM/200343**
Int. Reg. Date: **Dec. 10, 2018**
Int. Reg. Pub. Date: **Jun. 14, 2019**

(30) **Foreign Application Priority Data**
Jun. 14, 2018 (KR) 30-2018-0027273
(51) **LOC (13) Cl.** **14-02**
(52) **U.S. Cl.**
USPC **D14/314; D14/351**
(58) **Field of Classification Search**
USPC D14/300-314, 348-349, 351, 353-354
CPC G06F 1/16; G06F 1/1601; G06F 1/181;
G06F 2200/1638; H05K 5/00; H05K
5/0243
See application file for complete search history.

(56) **References Cited**
U.S. PATENT DOCUMENTS
D411,182 S * 6/1999 McIntosh D14/312
D432,537 S * 10/2000 Lee D14/351

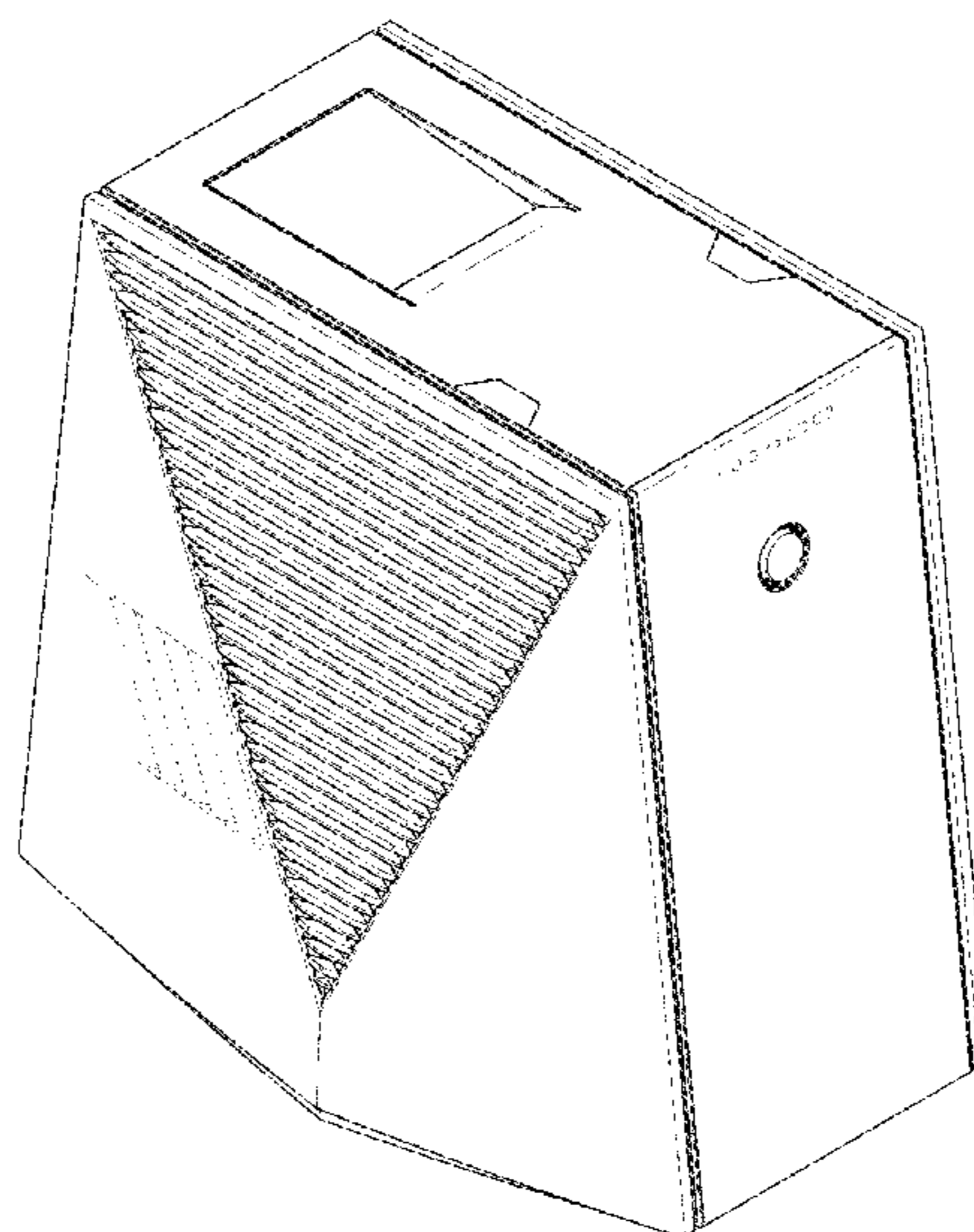
D480,077 S * 9/2003 Searby D14/308
D518,481 S * 4/2006 Chen D14/349
D523,427 S * 6/2006 Tsuzuki D14/300
D531,589 S * 11/2006 Hsu D13/184
D575,778 S * 8/2008 Dearborn D14/300
D585,447 S * 1/2009 Chen D14/349
D598,440 S * 8/2009 Alfonso D14/300
D614,619 S * 4/2010 Haase D14/349
D617,795 S * 6/2010 Seo D14/351
D749,560 S * 2/2016 Hallar D14/301
D787,512 S * 5/2017 Chana D14/349
D803,824 S * 11/2017 Zhou D14/314
9,829,934 B2 * 11/2017 Helberg
D807,353 S * 1/2018 Chana D14/349
D808,963 S * 1/2018 Delpier D14/348
D816,669 S * 5/2018 Jasinski D14/349
D832,837 S * 11/2018 Pennington, Jr. D14/348
10,365,699 B2 * 7/2019 Han
D861,693 S * 10/2019 Ranade D14/432
2015/0185792 A1 * 7/2015 Li
2019/0121400 A1 * 4/2019 Mao H05K 7/1401

* cited by examiner
Primary Examiner — Katherine Glennon
(74) *Attorney, Agent, or Firm* — Birch, Stewart, Kolasch & Birch, LLP

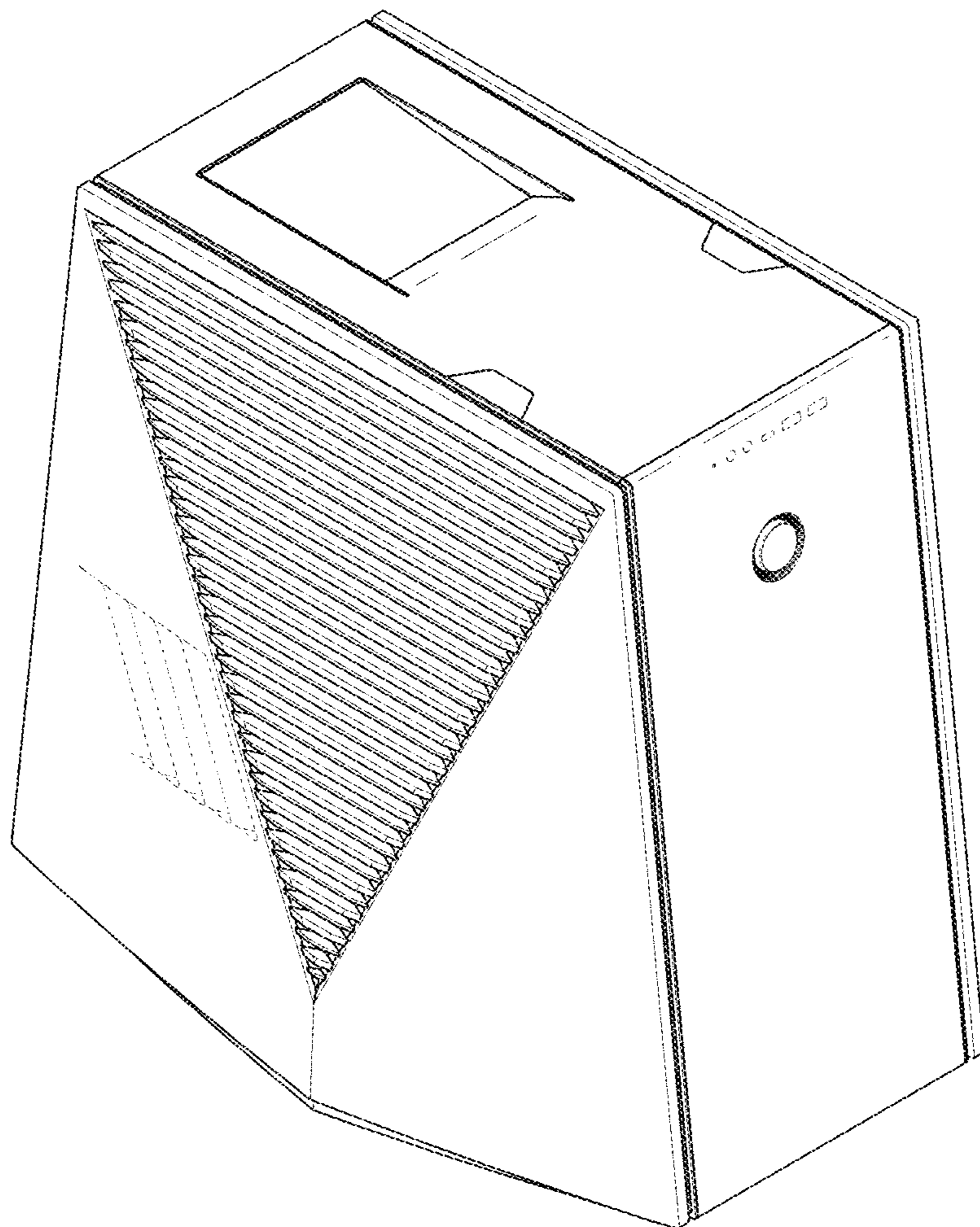
(57) **CLAIM**
The ornamental design for a desktop computer, as shown and described.

DESCRIPTION
1. Desktop computer
1.1 is a perspective view;
1.2 is a front elevation view;
1.3 is a rear elevation view;
1.4 is a left side elevation view;
1.5 is a right side elevation view;
1.6 is a top plan view; and
1.7 is bottom plan view.
The portions of the desktop computer shown in broken lines form no part of the claimed design.

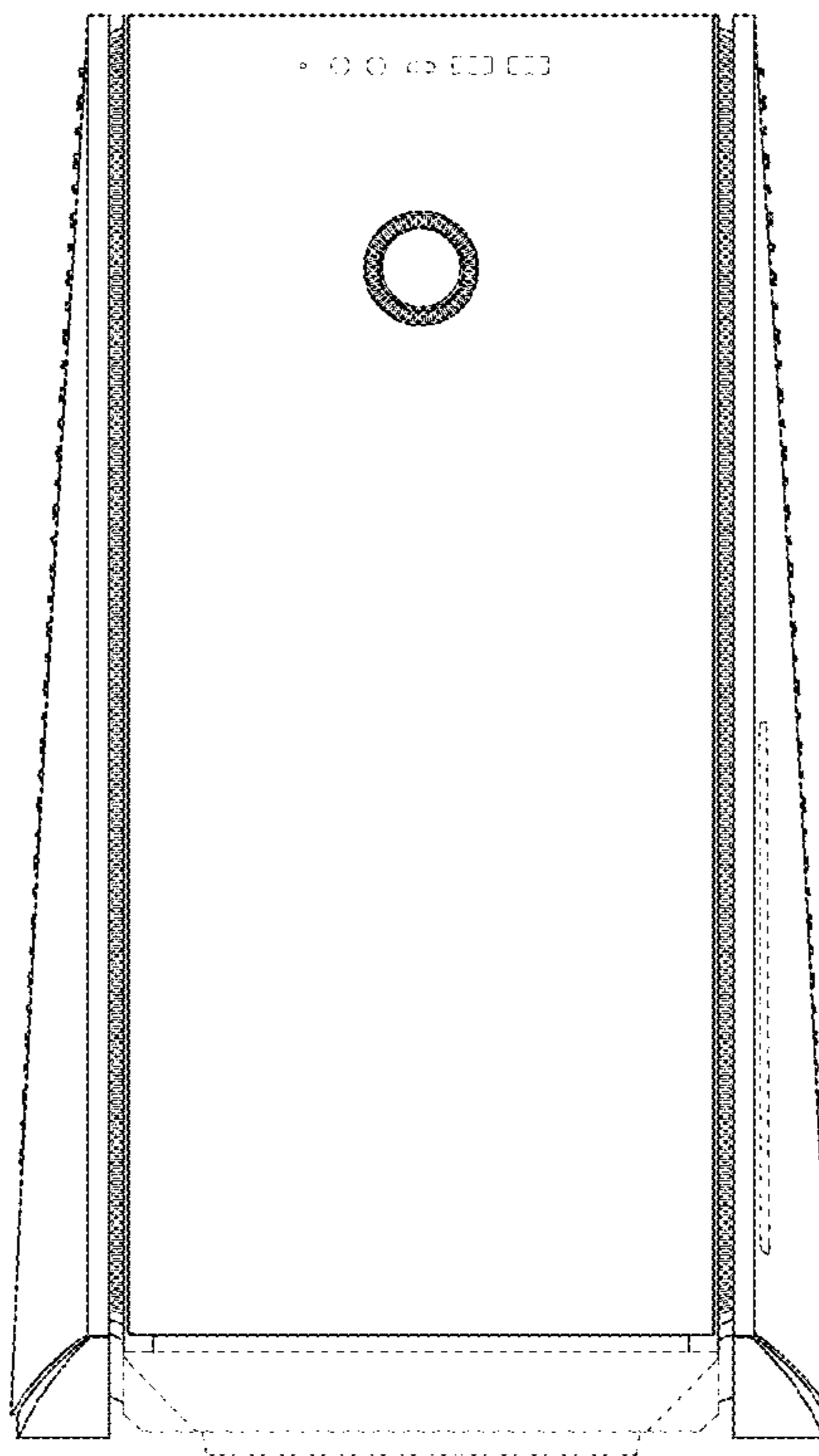
1 Claim, 7 Drawing Sheets



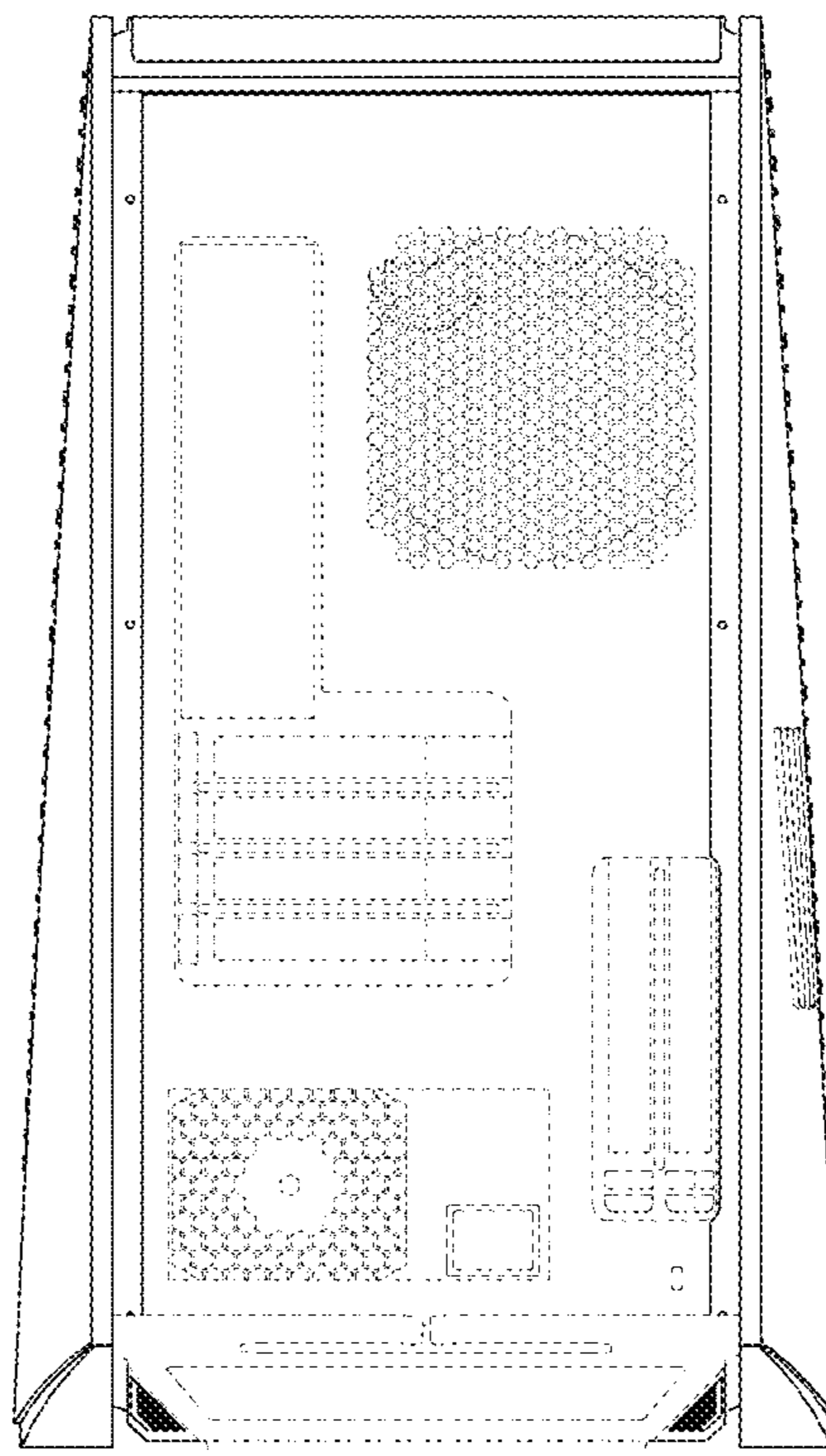
1.1



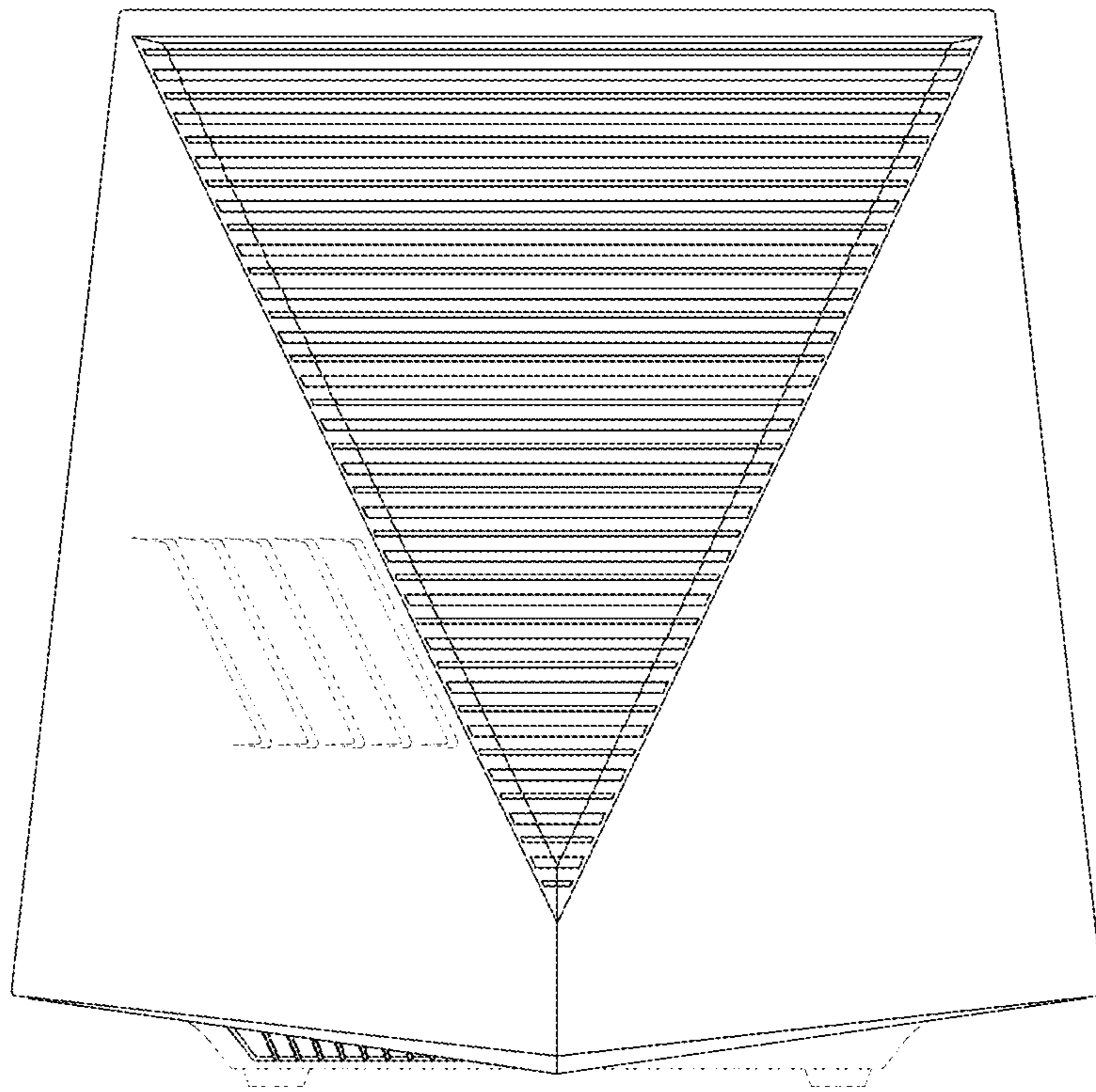
1.2



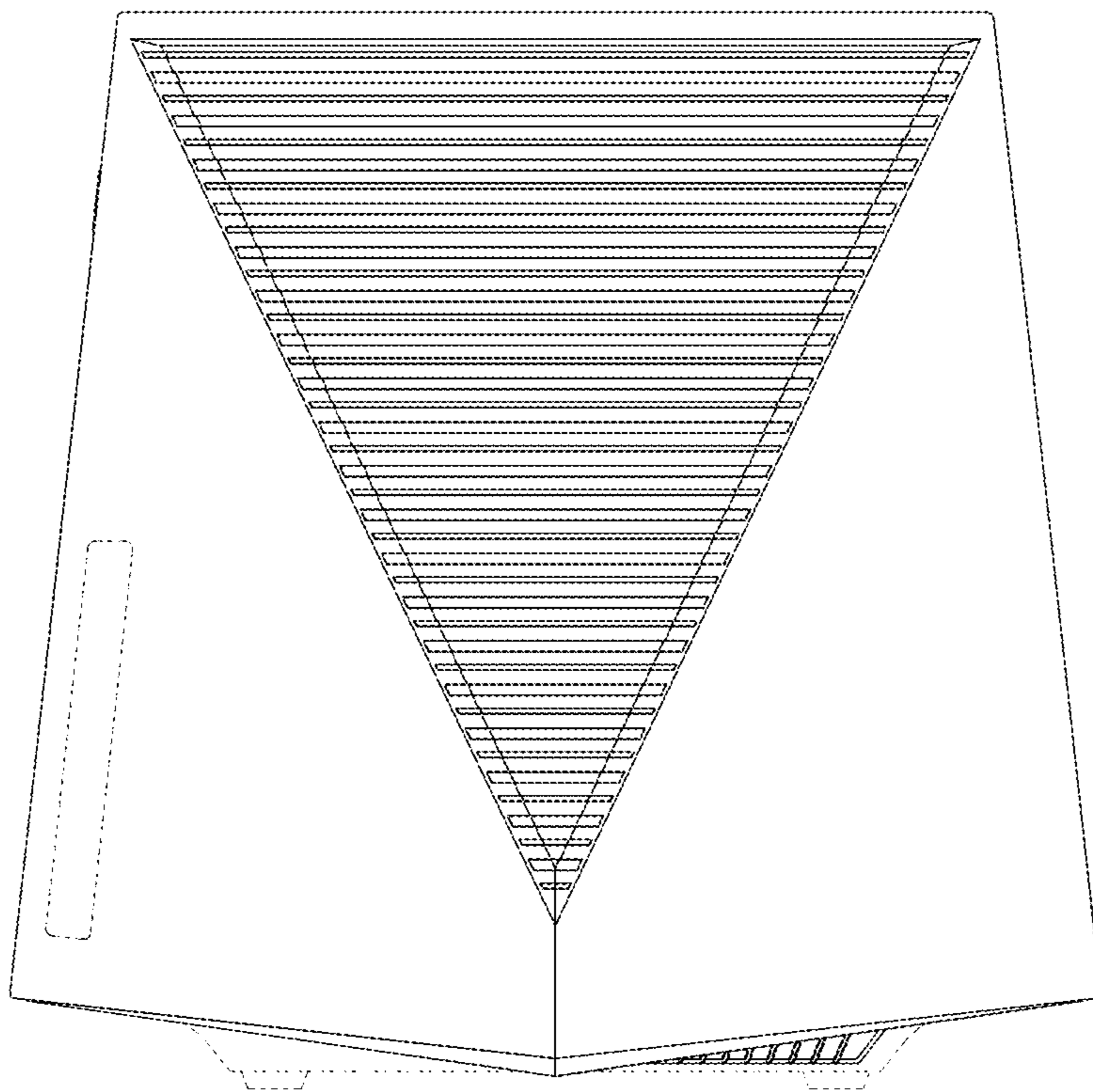
1.3



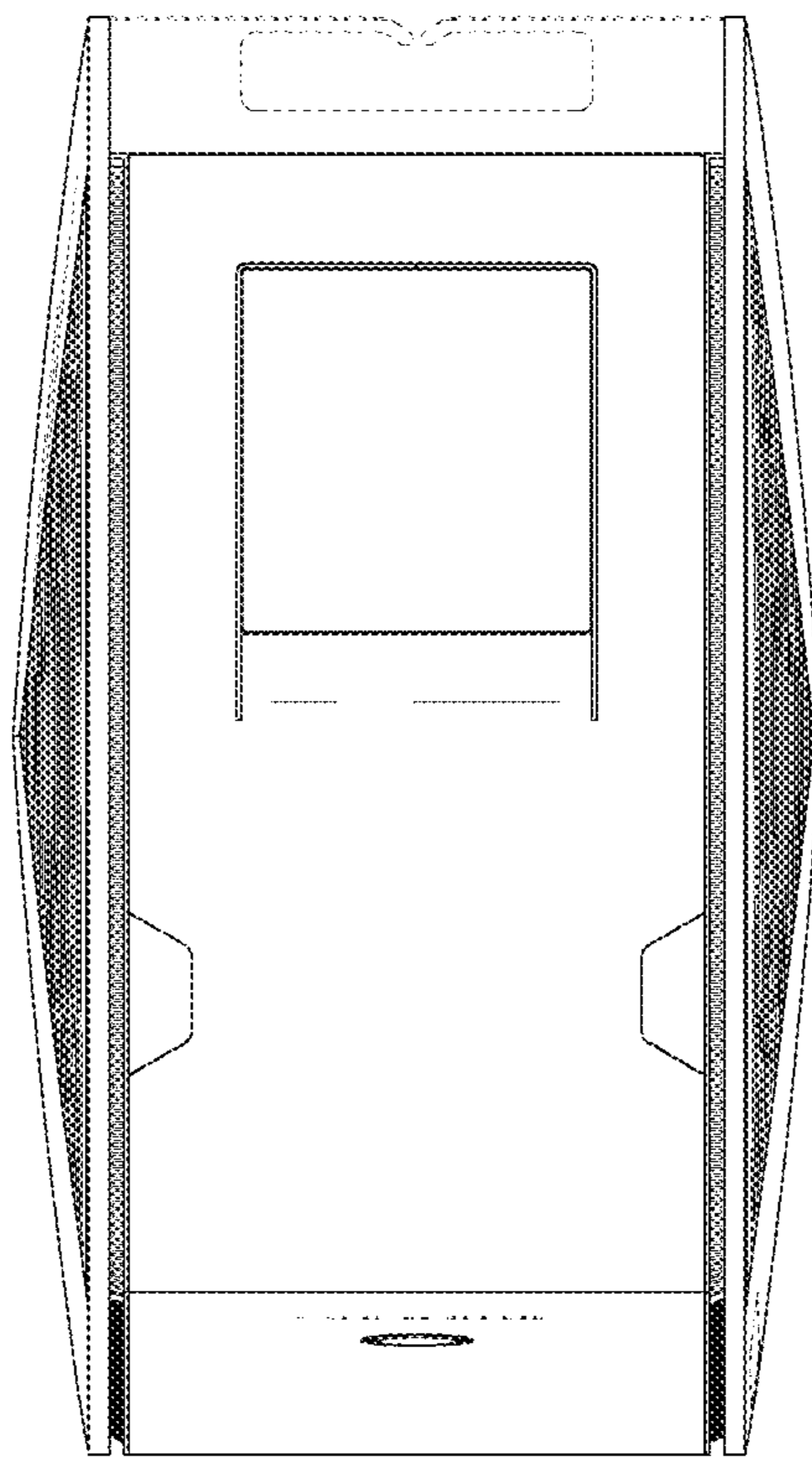
1.4



1.5



1.6



1.7

