



US00D912655S

(12) **United States Design Patent** (10) **Patent No.:** **US D912,655 S**  
**Ahn et al.** (45) **Date of Patent:** **\*\* Mar. 9, 2021**

(54) **INFORMATION CONSOLE OR PORTION THEREOF**

(71) Applicant: **WAYMO LLC**, Mountain View, CA (US)  
(72) Inventors: **YooJung Ahn**, Mountain View, CA (US); **Joshua Newby**, San Francisco, CA (US); **Albert Shane**, Berkeley, CA (US)  
(73) Assignee: **Waymo LLC**, Mountain View, CA (US)

(\*\*) Term: **15 Years**

(21) Appl. No.: **29/688,952**

(22) Filed: **Apr. 25, 2019**

(51) **LOC (13) Cl.** ..... **14-02**

(52) **U.S. Cl.**  
USPC ..... **D14/307**

(58) **Field of Classification Search**  
USPC ..... D14/302–307, 900–902; D13/163; D20/10; D21/332, 325, 369, 370; D99/28; D6/397, 466; 194/206; 361/679.01, 679.02, 679.04, 679.21, 361/679.57, 725  
CPC ..... G06Q 20/18; G06Q 20/10; G06Q 20/123; G06Q 20/20; G06Q 30/02; G06Q 30/06; A47F 9/047

See application file for complete search history.

(56) **References Cited**

U.S. PATENT DOCUMENTS

|              |         |                  |         |
|--------------|---------|------------------|---------|
| D712,396 S * | 9/2014  | Johnson .....    | D14/307 |
| D732,521 S * | 6/2015  | Chadbourne ..... | D14/307 |
| D734,314 S * | 7/2015  | Swaine .....     | D14/307 |
| D806,698 S * | 1/2018  | Thompson .....   | D14/307 |
| D829,704 S * | 10/2018 | Oross .....      | D14/307 |
| D829,705 S * | 10/2018 | Oross .....      | D14/307 |
| D836,625 S * | 12/2018 | Szeredi .....    | D14/307 |
| D842,296 S * | 3/2019  | Oross .....      | D14/307 |
| D854,538 S * | 7/2019  | Szeredi .....    | D14/307 |
| D864,193 S * | 10/2019 | Oosawa .....     | D14/307 |

\* cited by examiner

*Primary Examiner* — Austin Murphy

(74) *Attorney, Agent, or Firm* — Botos Churchill IP Law

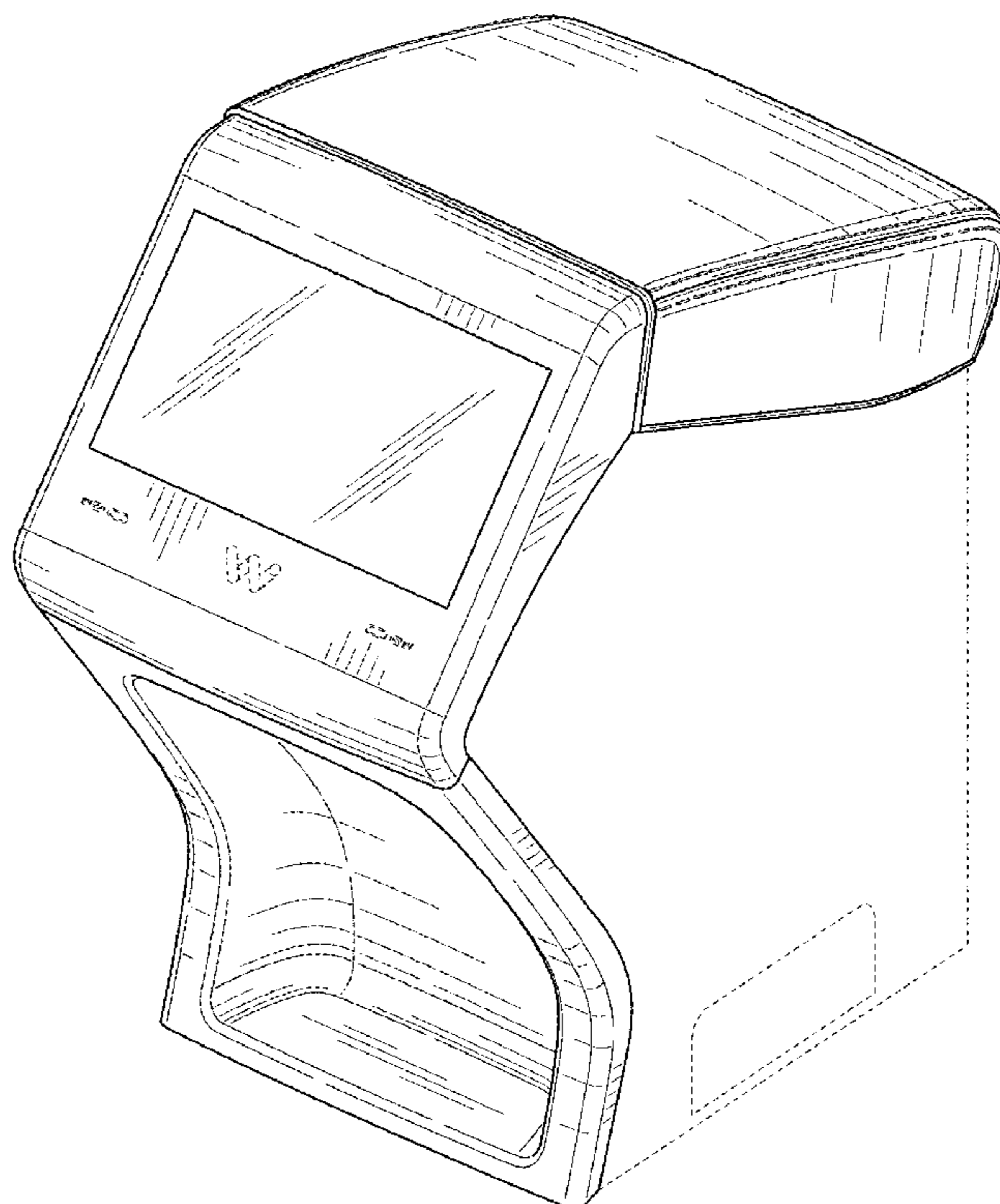
(57) **CLAIM**

The ornamental design for an information console or portion thereof, as shown and described.

**DESCRIPTION**

FIG. 1 is a front perspective view of an information console or portion thereof according to our design; FIG. 2 is a front elevation view thereof; FIG. 3 is a back elevation view thereof; FIG. 4 is a right side elevation view thereof; FIG. 5 is a left side elevation view thereof; FIG. 6 is a top plan view thereof; and, FIG. 7 is a bottom plan view thereof. The broken lines in the figures illustrate portions of the information console or portion thereof that form no part of the claimed design.

**1 Claim, 7 Drawing Sheets**



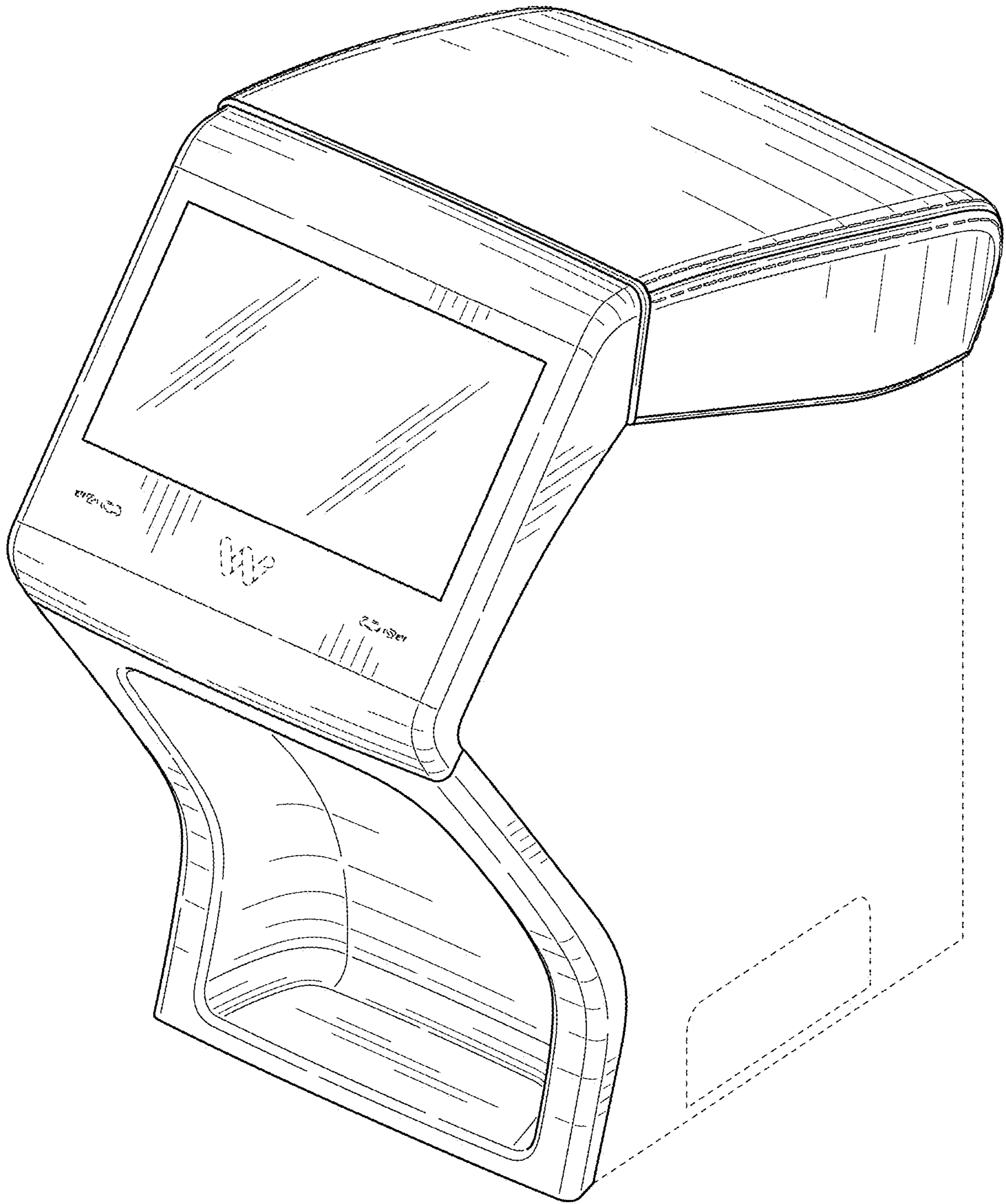


FIG. 1

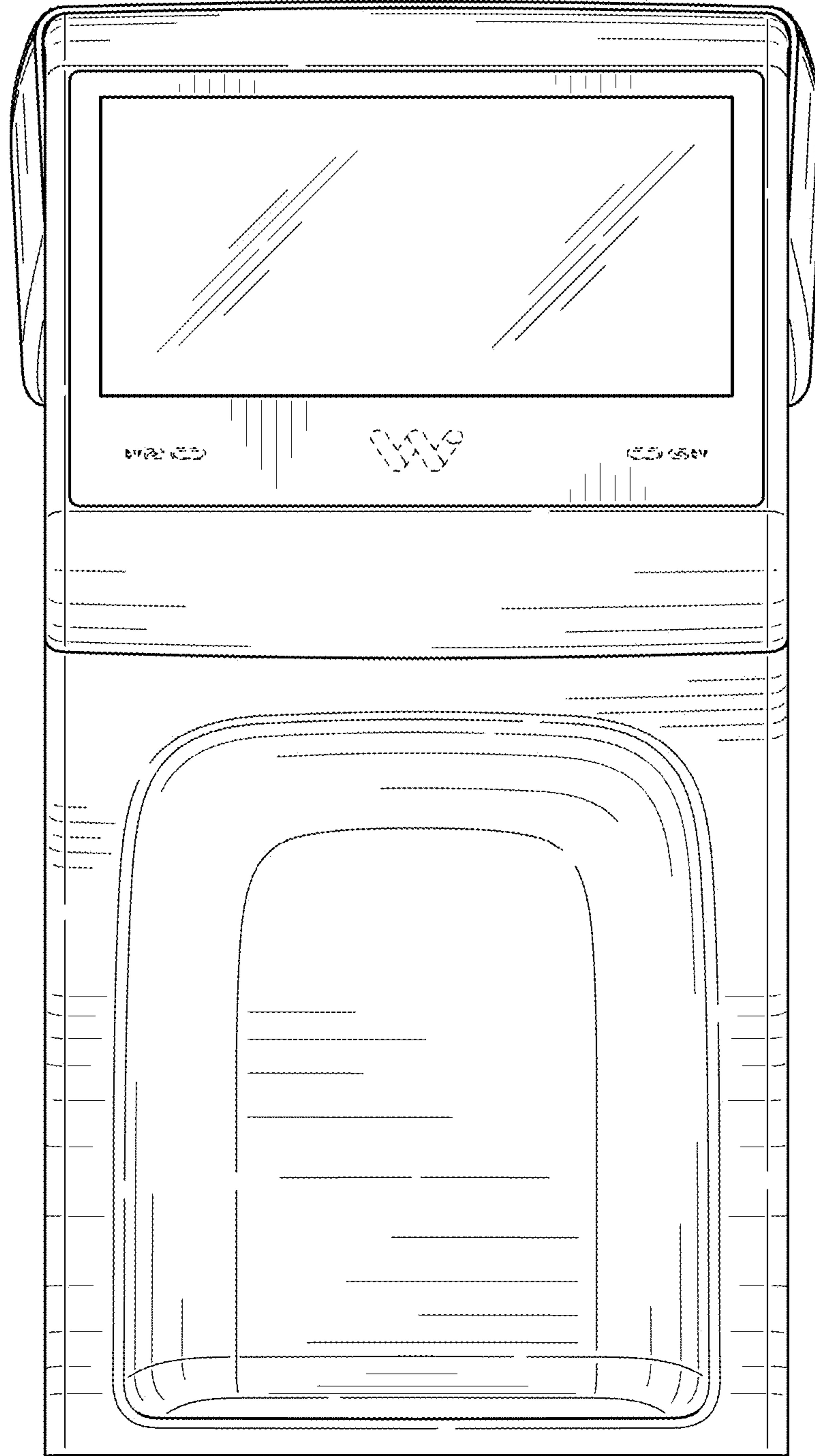


FIG. 2

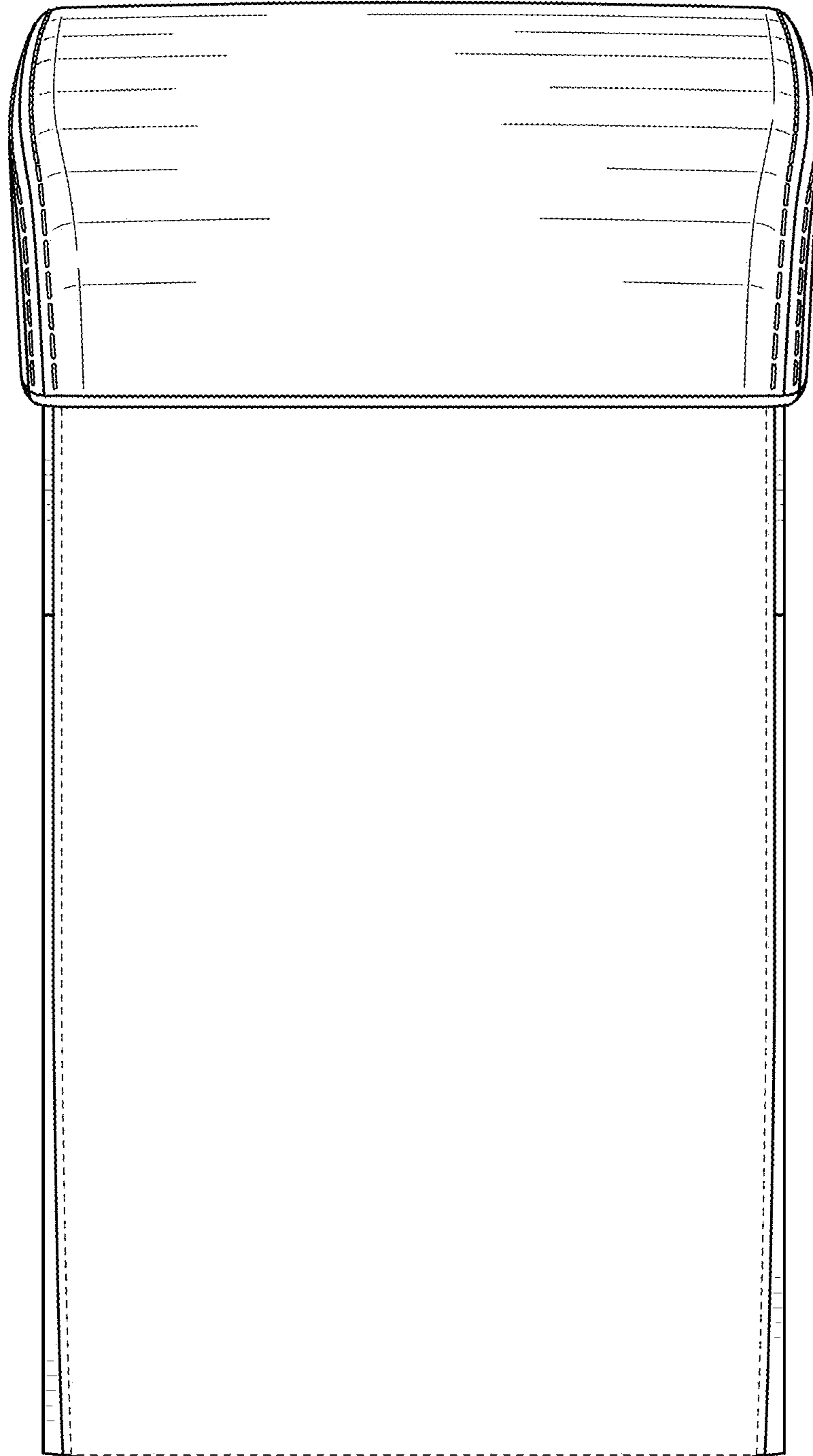


FIG. 3

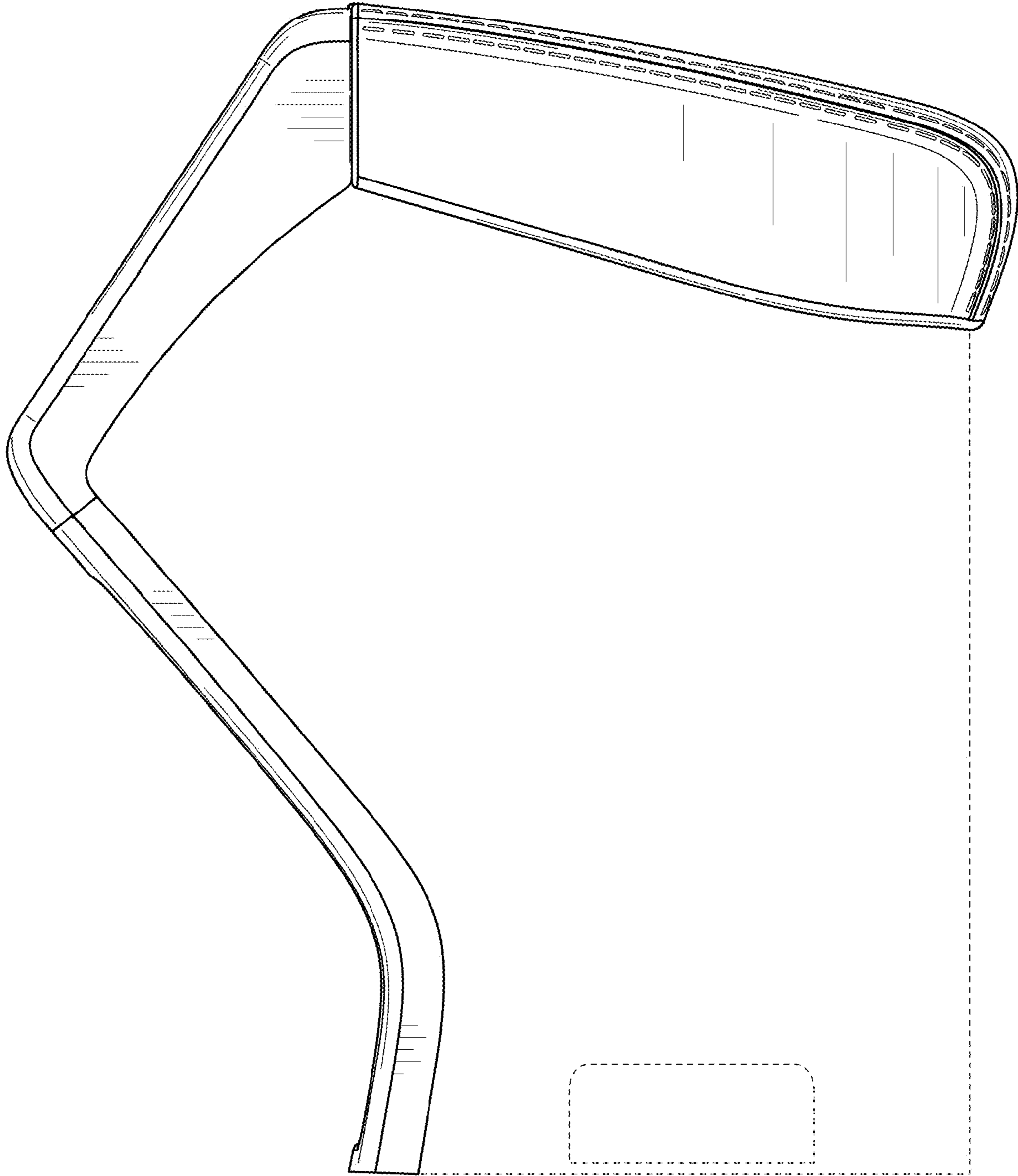


FIG. 4

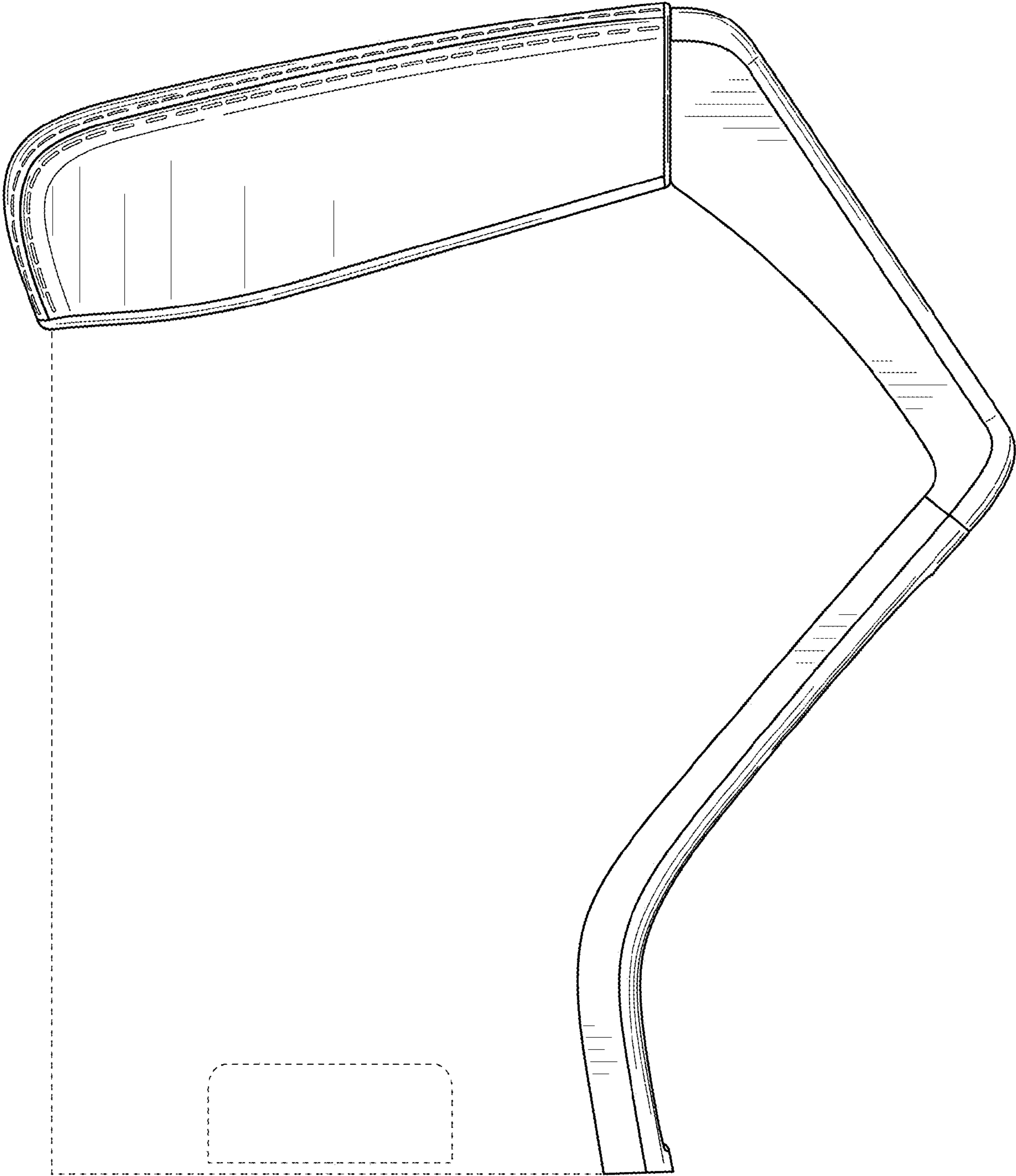


FIG. 5

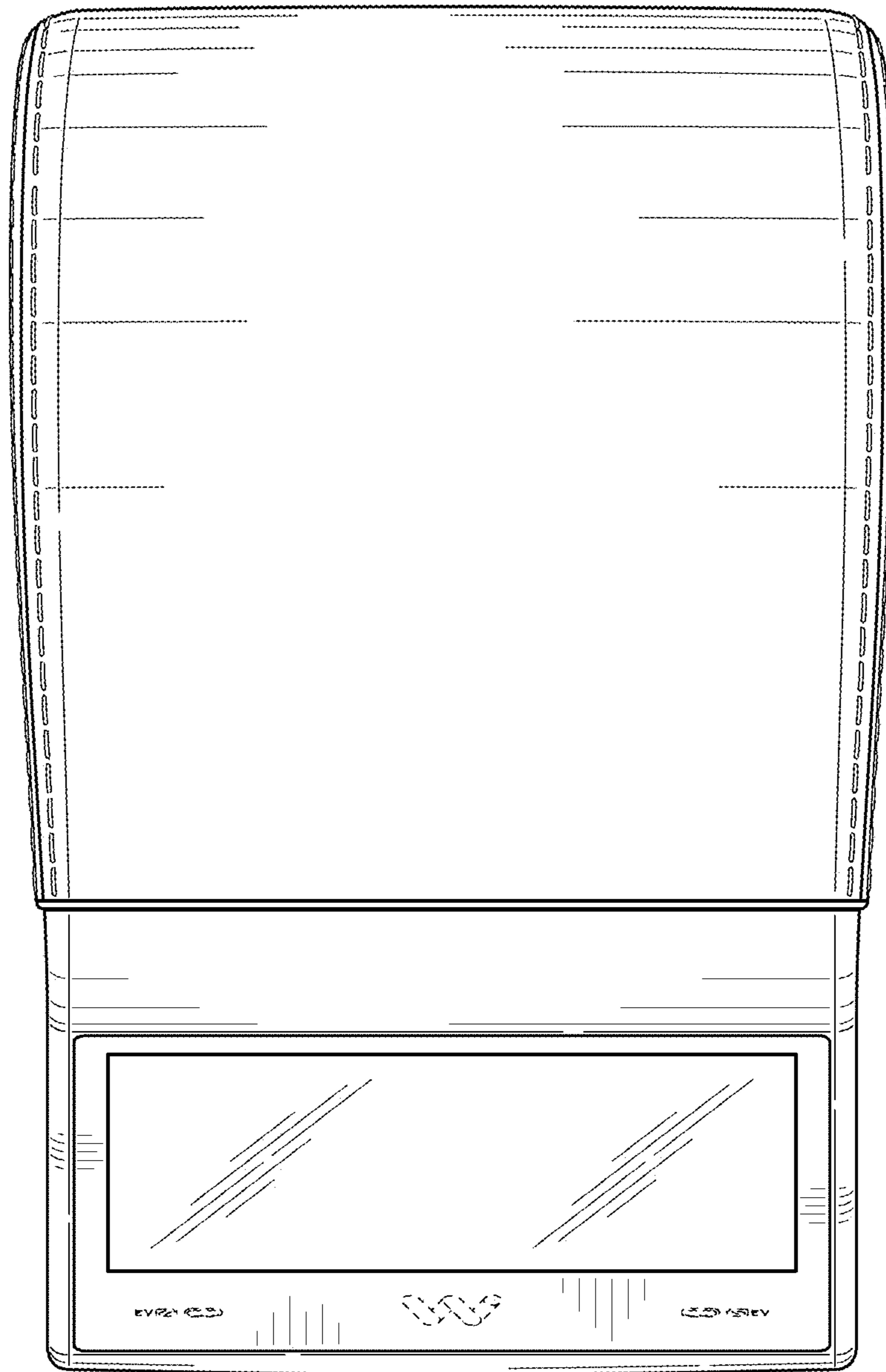


FIG. 6

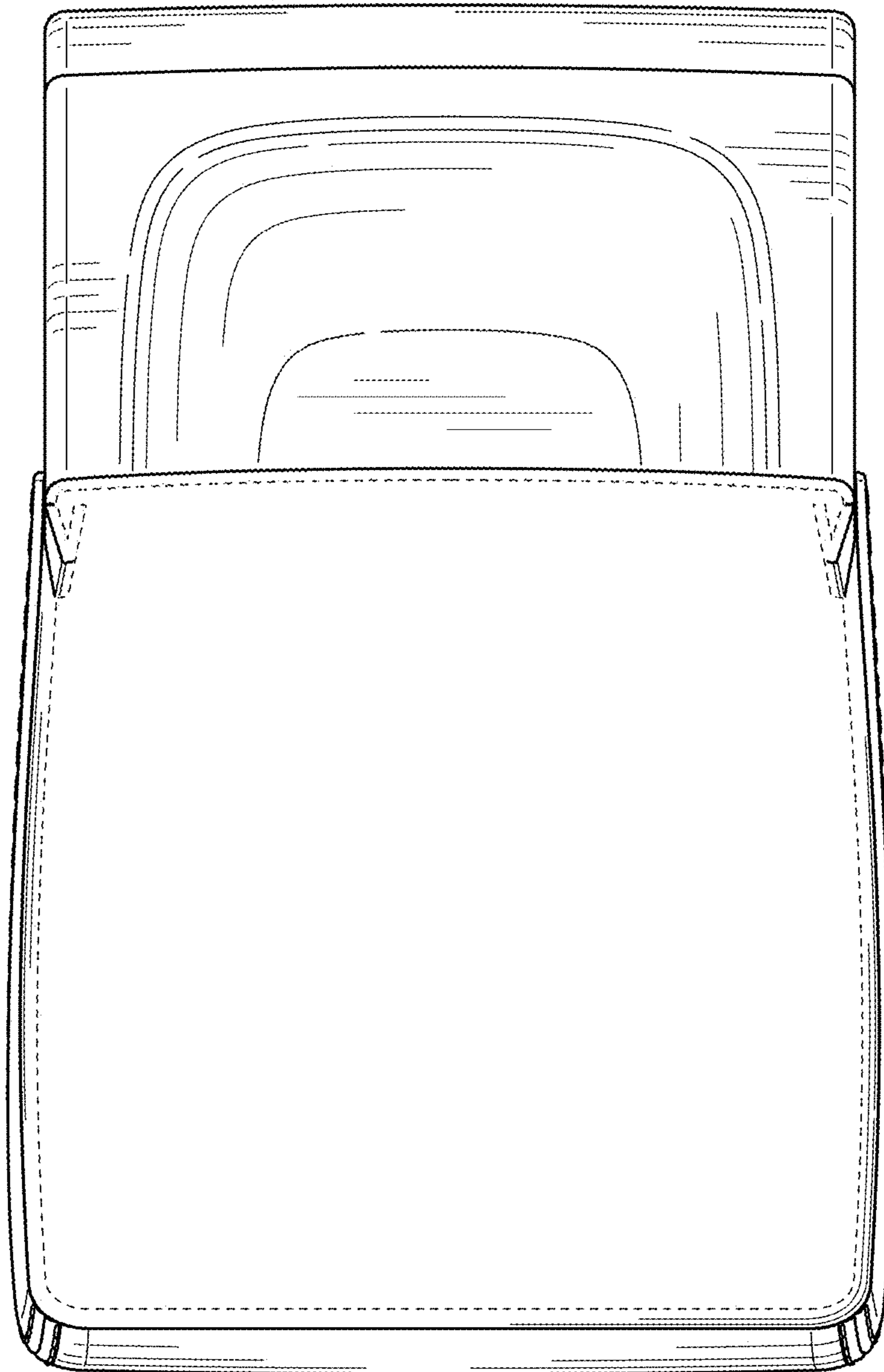


FIG. 7